



SUMMERS®

2009 Parts Manual

MOUNTED ATTACHMENTS
SUPERHARROW PLUS
4-RANK SUPERWEEDER
HARROWPACKER
HYDRAULIC FOLD COIL PACKER
SUPERROLLER
DIAMOND DISK
SUPER CHISEL
COULTER-CHISEL
DISK-CHISEL
SUPER COULTER
TRUCK MOUNTED SUPERSPRAYER
ULTIMATE & ULTRA SUPERSPRAYER
M700 ROCK PICKER

SUMMERS MANUFACTURING CO., INC.

WEB SITE: www.summersmfg.com

MADDOCK, NORTH DAKOTA 58348 (701) 438-2855
DEVILS LAKE, NORTH DAKOTA 58301 (701) 662-5391

Mounted Harrows



Superharrow Plus



Rolling Choppers



Superrollers



Hydraulic Fold
Coil Packer



SUMMERS



Manufacturing

Superchisel



Diamond Disk



Coulter-Chisel



Supercoulter Plus



Model 700
Rock Picker



Ultra & Ultimate NT
Supersprayer



GENERAL INFORMATION

Reference to left or right is determined when machine is viewed from the rear.

All hose sizes are given as inside diameters unless otherwise specified.

Abbreviations used in this manual:

JIC (SAE J514) — 37 Degree Flare

ORB — O-Ring Boss

NPT-M — National Pipe Thread, Male

NPT-F — National Pipe Thread, Female

NC — Unified National Coarse Thread

NF — Unified National Fine Thread

NSS — Not Service Separately

NAP — Not Available As Parts

X — Swivel Fitting

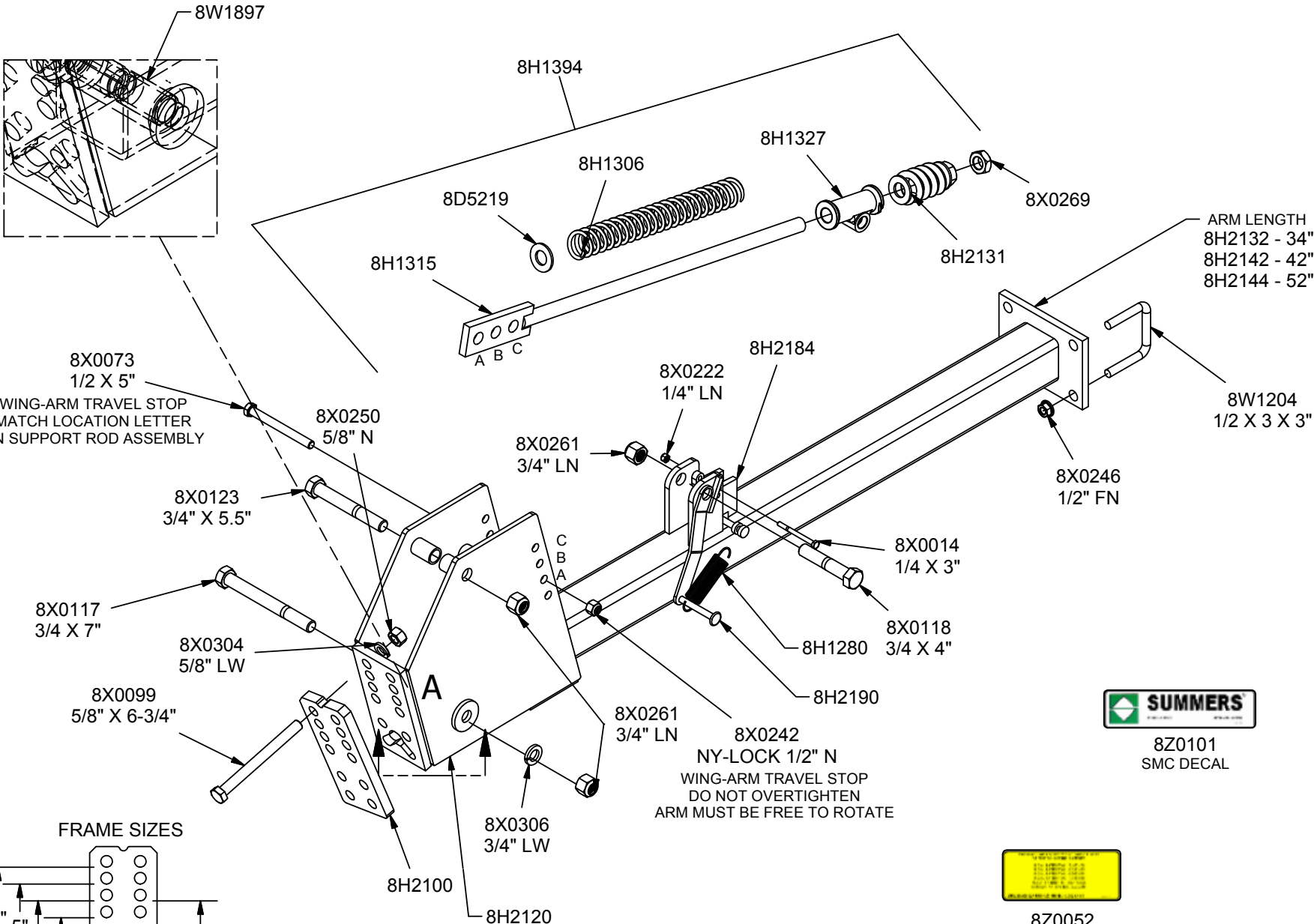
Parts are referenced in each drawing with the Summers Manufacturing Part Number. Use this Part Number when ordering replacement parts from your Summers dealer. See back section (12) of manual for description of each Part Number.

CONTENTS

	Section
MOUNTED ATTACHMENTS	1
22' HITCH MACHINES (SH+, SUPERWEEDER - 4 RANK, HARROWPACKER)	2
HYDRAULIC FOLD COIL PACKER	3
SUPERROLLERS	4
DIAMOND DISK	5
SUPER CHISEL, COULTER-CHISEL, DISK-CHISEL	6
SUPER COULTER	7
TRUCK MOUNTED SPRAYERS	8
ULTIMATE & ULTRA SUPER SPRAYER	9
ROCK PICKER	10
COMMON COMPONENTS (INCLUDING WHEEL/TIRE & HUB BREAKDOWNS)	11
PART NUMBERS/DESCRIPTIONS	12

MOUNTED ATTACHMENTS

Mounting Arm — M94, M104, M106 and Rolling Choppers	1.1
Section — M94 (3 Bar & 4 Bar)	1.2, 1.3
Section — M104 & M106 (3 Bar & 4 Bar)	1.4, 1.5
Disk Harrow Mounting Brackets and Spacers	1.6
JD 510/512 Disk Mounting Brackets	1.7
Rolling Choppers	1.8

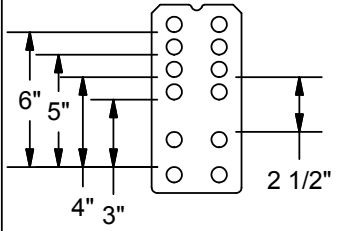


8Z0101
SMC DECAL

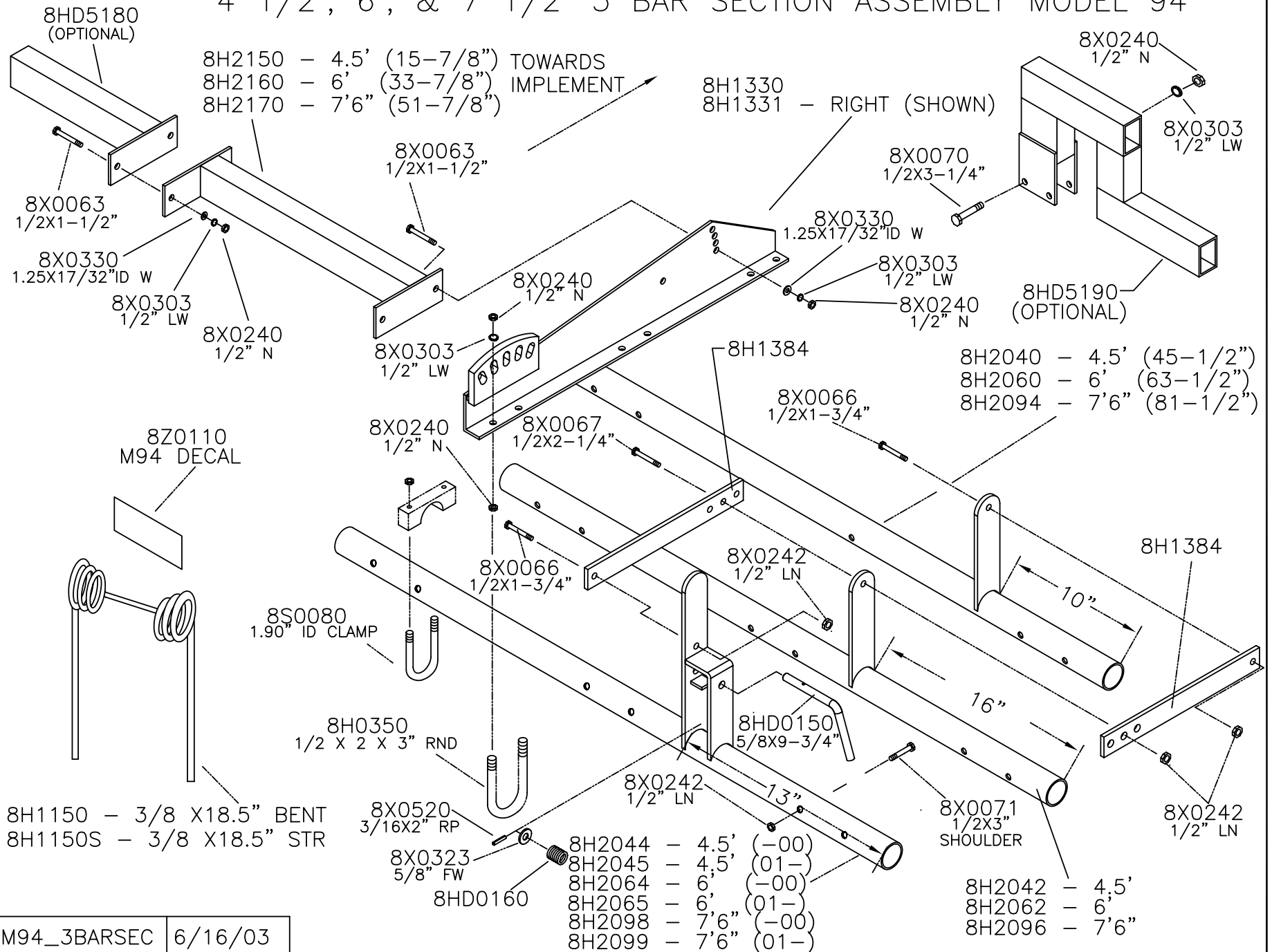


8Z0052
PATENT DECAL

FRAME SIZES



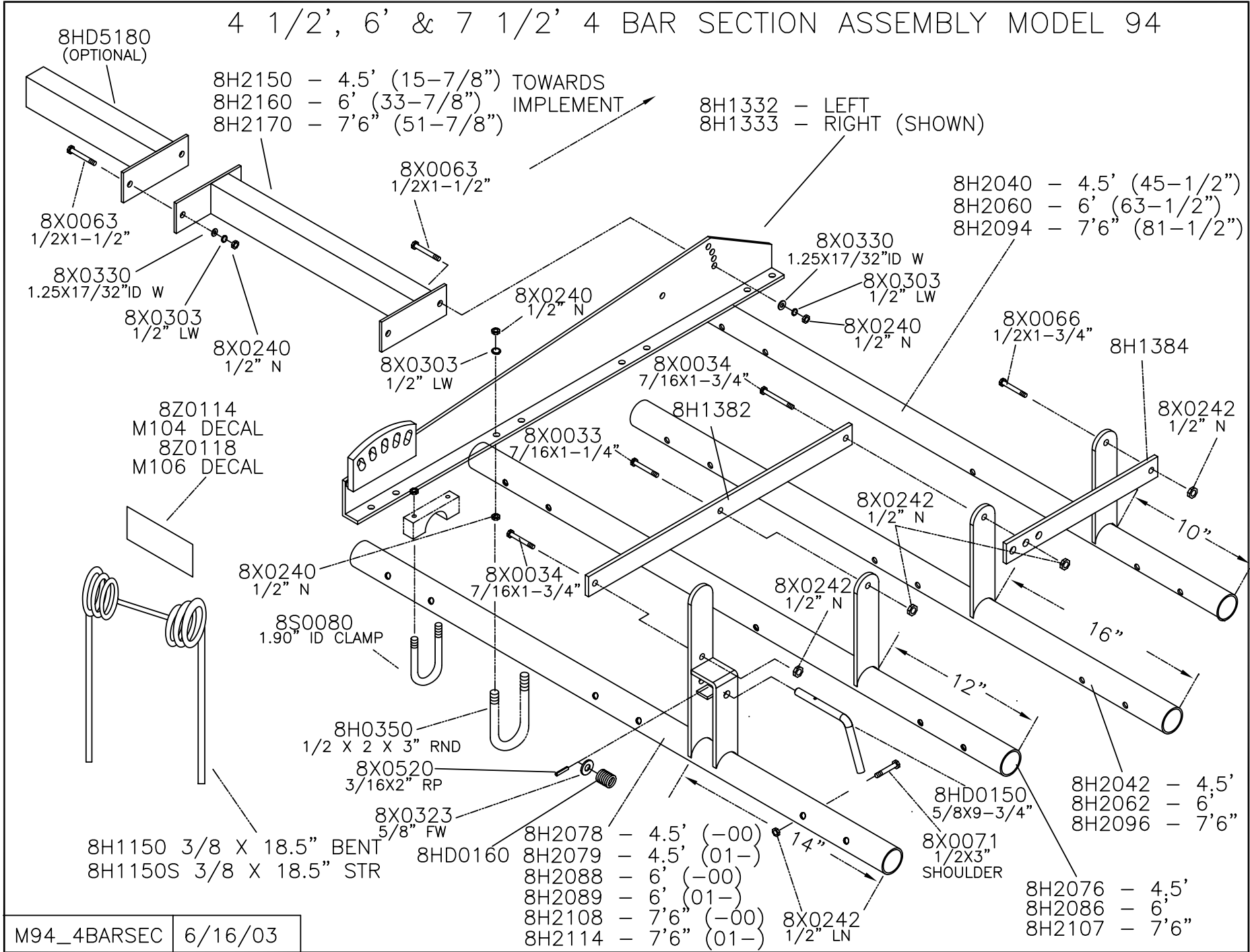
4 1/2', 6', & 7 1/2' 3 BAR SECTION ASSEMBLY MODEL 94



1.2

4 1/2', 6' & 7 1/2' 4 BAR SECTION ASSEMBLY MODEL 94

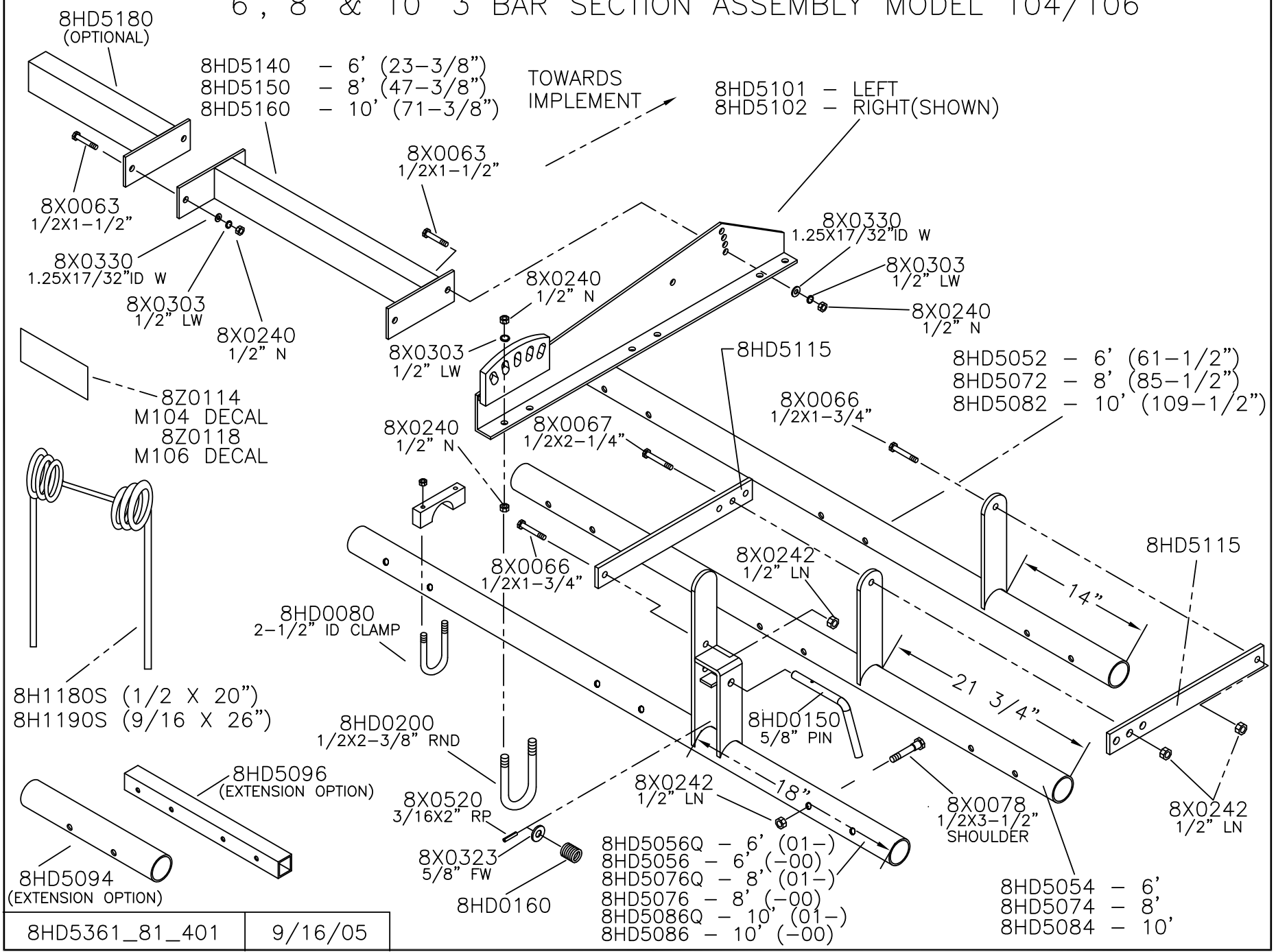
1.3



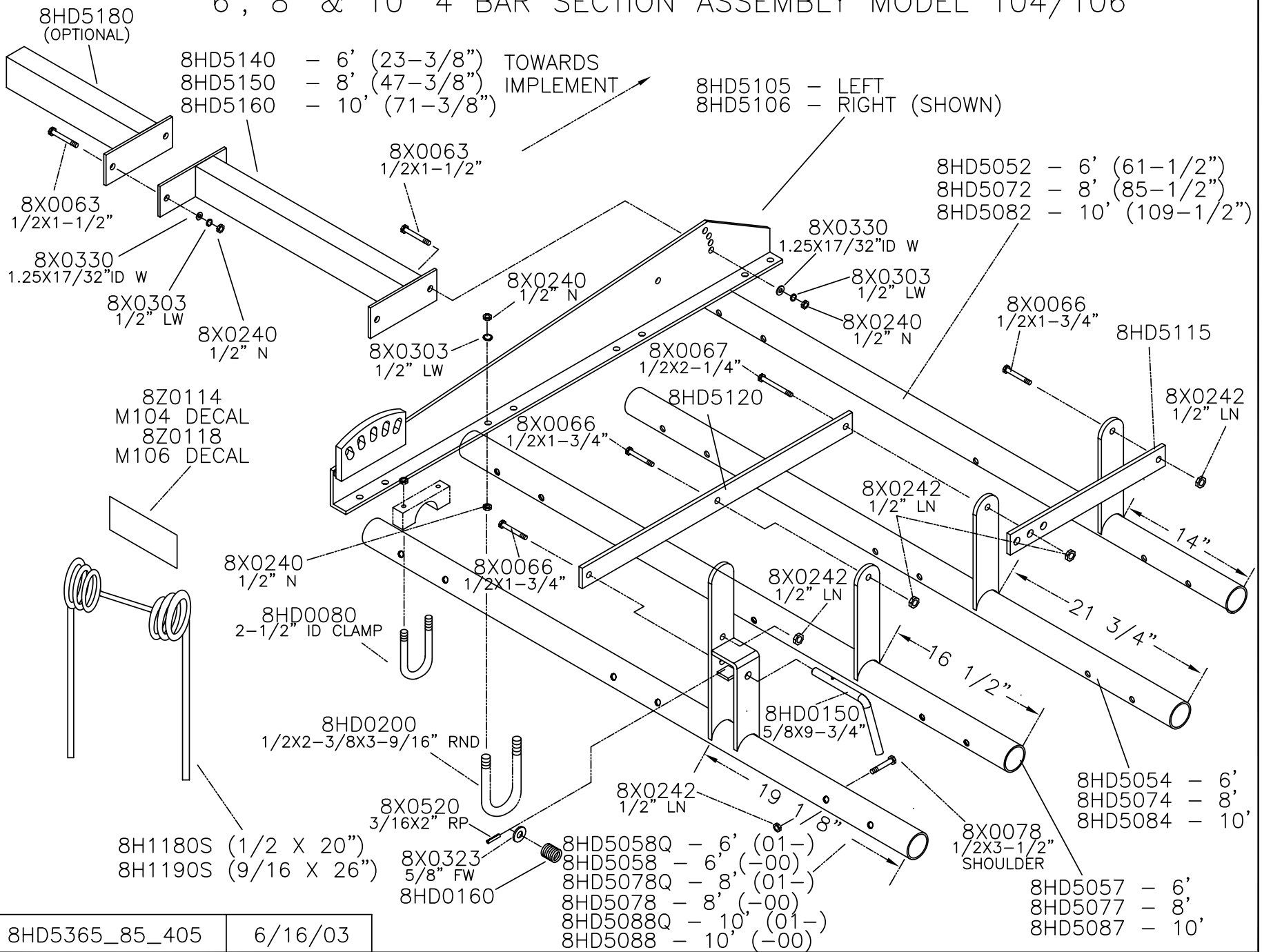
M94_4BARSEC 6/16/03

6', 8' & 10' 3 BAR SECTION ASSEMBLY MODEL 104/106

1.4



6', 8' & 10' 4 BAR SECTION ASSEMBLY MODEL 104/106



8HD5180 (OPTIONAL)

8HD5140 - 6' (23-3/8")
 8HD5150 - 8' (47-3/8")
 8HD5160 - 10' (71-3/8")

8HD5105 - LEFT
 8HD5106 - RIGHT (SHOWN)

8HD5052 - 6' (61-1/2")
 8HD5072 - 8' (85-1/2")
 8HD5082 - 10' (109-1/2")

8X0063 1/2X1-1/2"

8X0063 1/2X1-1/2"

8X0330 1.25X17/32"ID W

8X0330 1.25X17/32"ID W

8X0303 1/2" LW

8X0303 1/2" LW

8X0240 1/2" N

8X0240 1/2" N

8X0303 1/2" LW

8X0067 1/2X2-1/4"

8X0066 1/2X1-3/4"

8Z0114 M104 DECAL
 8Z0118 M106 DECAL

8HD5115

8X0242 1/2" LN

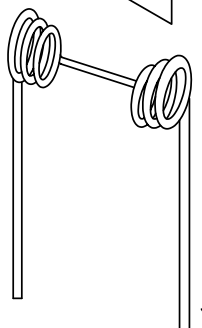
8X0240 1/2" N

8X0066 1/2X1-3/4"

8X0242 1/2" LN

8HD0080 2-1/2" ID CLAMP

8X0242 1/2" LN



8HD0200 1/2X2-3/8X3-9/16" RND

8HD0150 5/8X9-3/4"

8H1180S (1/2 X 20")
 8H1190S (9/16 X 26")

8X0520 3/16X2" RP

8X0242 1/2" LN

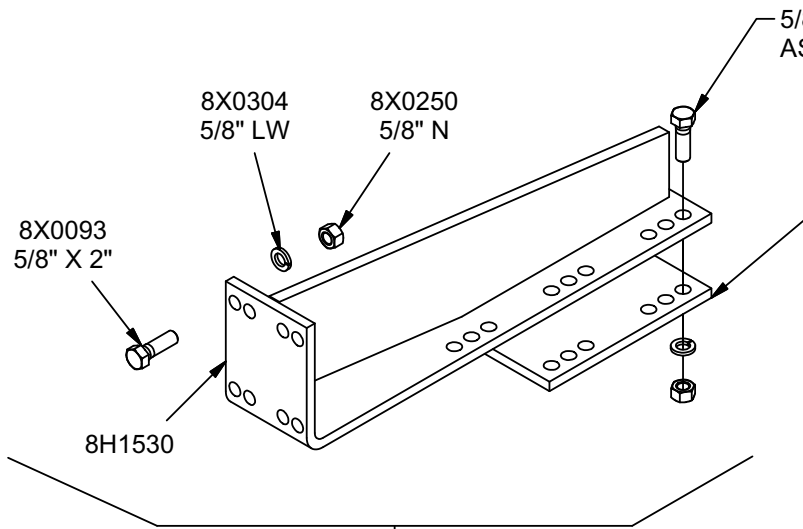
8HD5054 - 6'
 8HD5074 - 8'
 8HD5084 - 10'

8HD5365_85_405 6/16/03

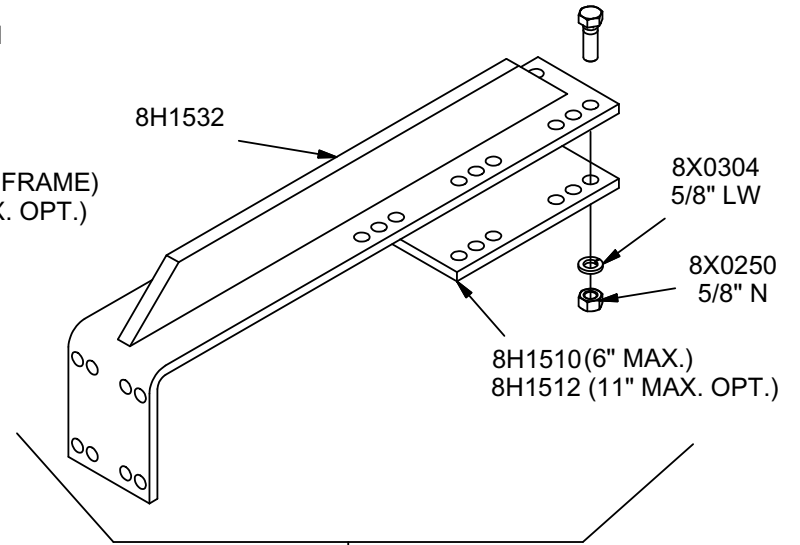
8HD5058Q - 6' (01-)
 8HD5058 - 6' (-00)
 8HD5078Q - 8' (01-)
 8HD5078 - 8' (-00)
 8HD5088Q - 10' (01-)
 8HD5088 - 10' (-00)

8X0078 1/2X3-1/2" SHOULDER

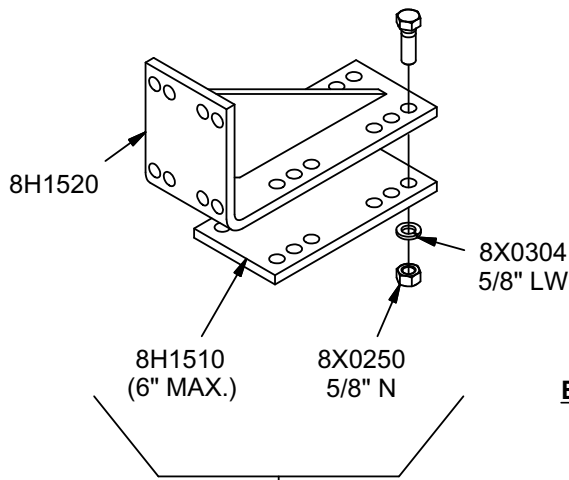
8HD5057 - 6'
 8HD5077 - 8'
 8HD5087 - 10'



8H1610
DISK BRCKT LONG
W/PLATE - UNIVERSAL



8H1612
DISK BRCKT LONG
W/PLATE - HIGH CLEARANCE



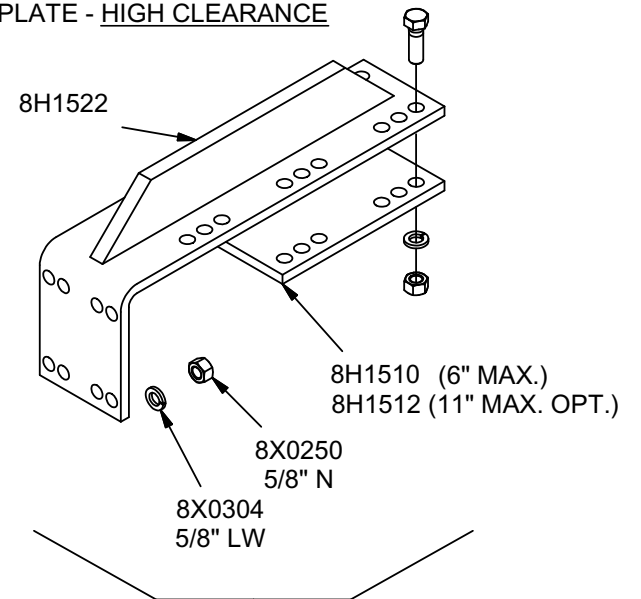
8H1600
DISK BRCKT SHORT
W/PLATE - UNIVERSAL

SPACER TUBES

- 8H1499 (TUBE ONLY - 2")
- 8H1498 (TUBE ONLY - 3")
- 8H1504 (TUBE ONLY - 4")
- 8H1500 (2" W/HRDWR)
- 8H1503 (3" W/HRDWR)
- 8H1505 (4" W/HRDWR)

BOLT FOR SPACER TUBE

- 8X0096 (5/8" X 4")
- 8X0095 (5/8" X 5")
- 8X0099 (5/8" X 6.75")



8H1602
DISK BRCKT SHORT
W/PLATE - HIGH CLEARANCE

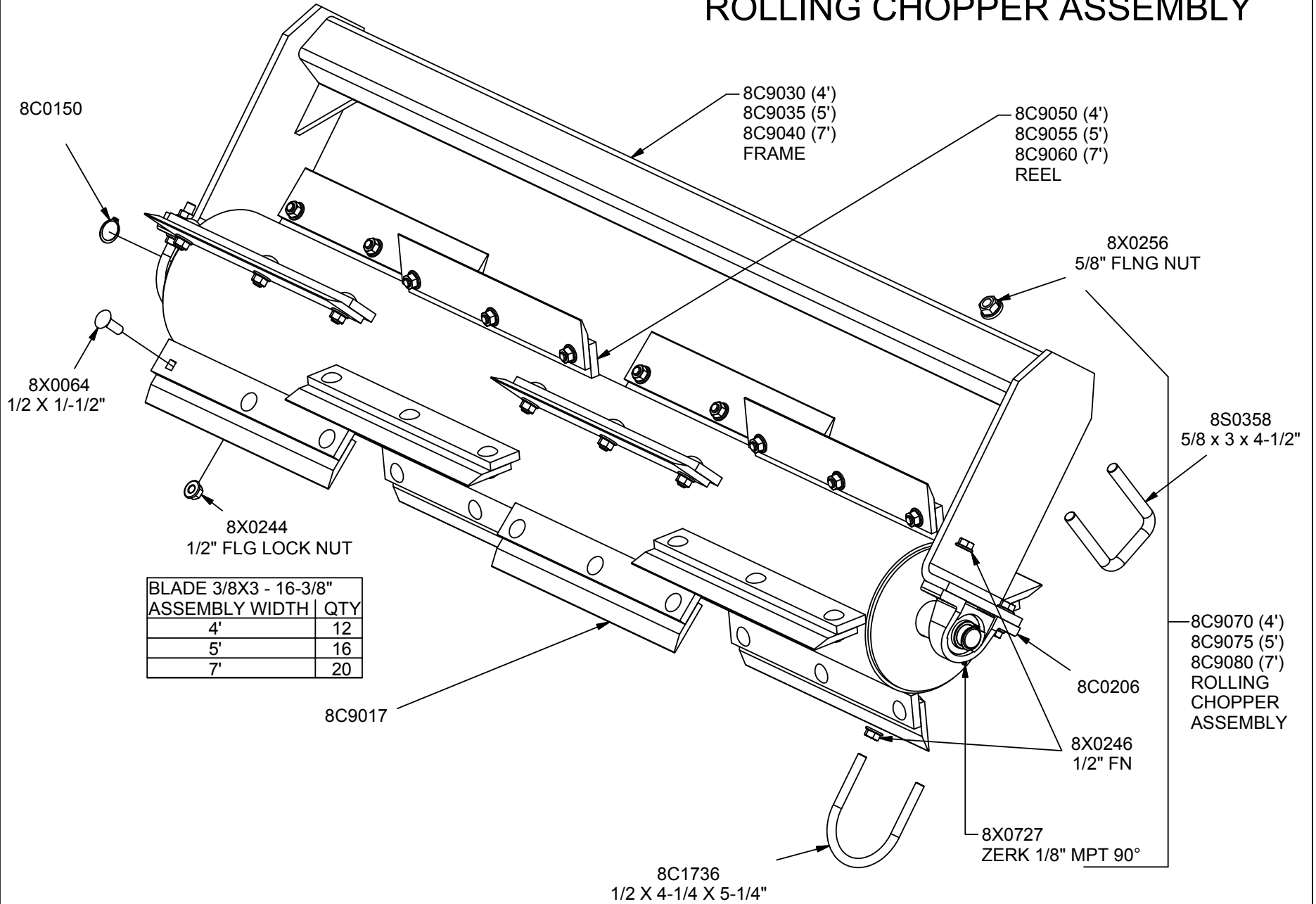
JD 510/512 DISK RIPPER WITH SUMMERS HARROWS

WIDTH	SECTIONS RQRD		8H2310	8HD5250	8H1600	8H1505	M104	M106
	CNTR SECT	WING	ARM	MNTNG PKG	DISK BRCKT	SPACER, 4"		
5 Shank / 12 1/2' Width	2: 8'	---	4	1	---	---	2 - 8HD5381 4 - 8H2310 1 - 8HD5250	2 - 8HD5387 4 - 8H2310 1 - 8HD5250
7 Shank / 17 1/2' Width	2: 10'	---	4	1	---	---	2 - 8HD5401 4 - 8H2310 1 - 8HD5250	2 - 8HD5407 4 - 8H2310 1 - 8HD5250
9 Shank / 22 1/2' Width	1: 6' and 1: 8'	6' (EA)	8	1	4 (WING)	2 (WING)	3 - 8HD5361 1 - 8HD5381 8 - 8H2310 1 - 8HD5250 4 - 8H1600 2 - 8H1505	3 - 8HD5367 1 - 8HD5387 8 - 8H2310 1 - 8HD5250 4 - 8H1600 2 - 8H1505

1. Bolt extensions to 510 main frame as shown (flush side down).
2. U-bolt 4X4 to extensions (center on machine).
3. Bolt arms to 4X4 tube.
4. U-bolt sections to arms. (Leave 12" gap in the center, between tines.)



ROLLING CHOPPER ASSEMBLY



BLADE 3/8X3 - 16-3/8"	
ASSEMBLY WIDTH	QTY
4'	12
5'	16
7'	20

1.8

NOTES

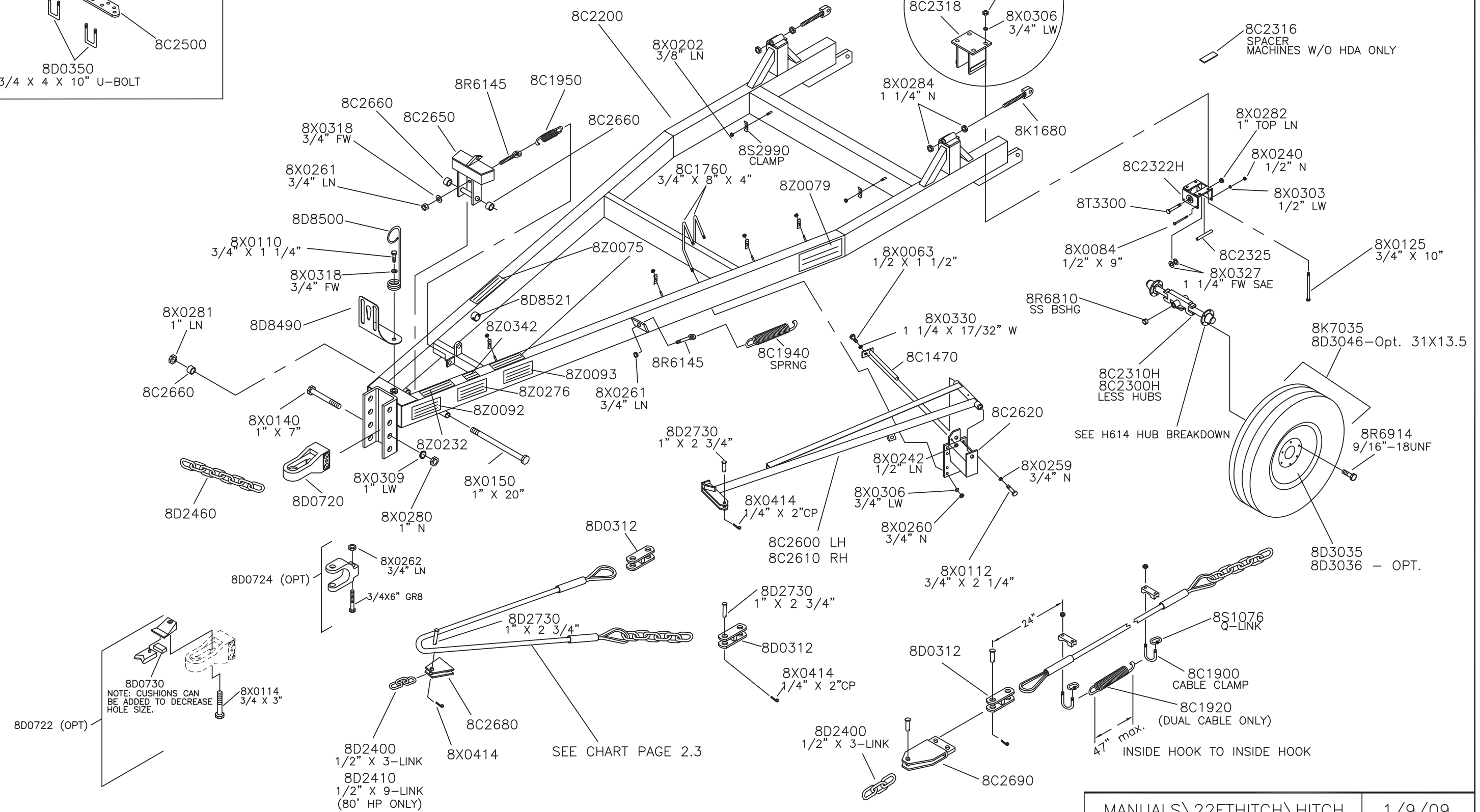
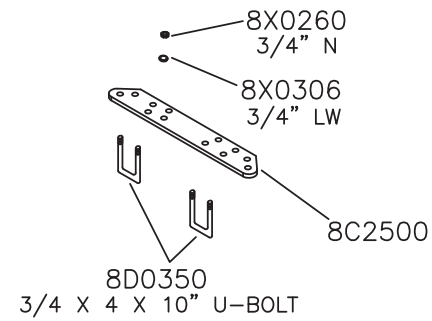
22' HITCH MACHINES
SUPERHARROW PLUS, HARROW PACKER (3/8 and 9/16 Tooth)
SUPERWEEDER (4-Rank)

22' Hitch — W/Auto-Fold	2.1
22' Hitch — Center and Wings	2.2
22' Hitch — Cable, Wing and Cylinder Chart	2.3
22' Hitch — Hydraulic Systems	2.4
Hydraulic Depth Adjustment	2.5
Hydraulic Depth Adjustment — Hydraulics	2.6
Hydraulic Tine Angle Adjustment Option	2.7
Hydraulic Tine Angle Adjustment Option — Hydraulics	2.8
Superweeder Sections	2.9
Superweeder Section — Hydraulics	2.10, 2.11
Lift Arms	2.12
5' 5 Bar 3/8" Tooth Section (8H0795)	2.13
5 Bar Superharrow Plus Section (Left Hand Levers — 8HD6200L)	2.14
5 Bar Superharrow Plus Section (Right Hand Levers — 8HD6200)	2.15
Packer Assembly	2.16
Light Kit	2.17

NON AUTO-FOLD ONLY

22' HITCH

WITHOUT HYD. DEPTH ADJUSTMENT



8D0730
NOTE: CUSHIONS CAN BE ADDED TO DECREASE HOLE SIZE.

8X0114
3/4 X 3"

8D0722 (OPT)

8D2400
1/2" X 3-LINK

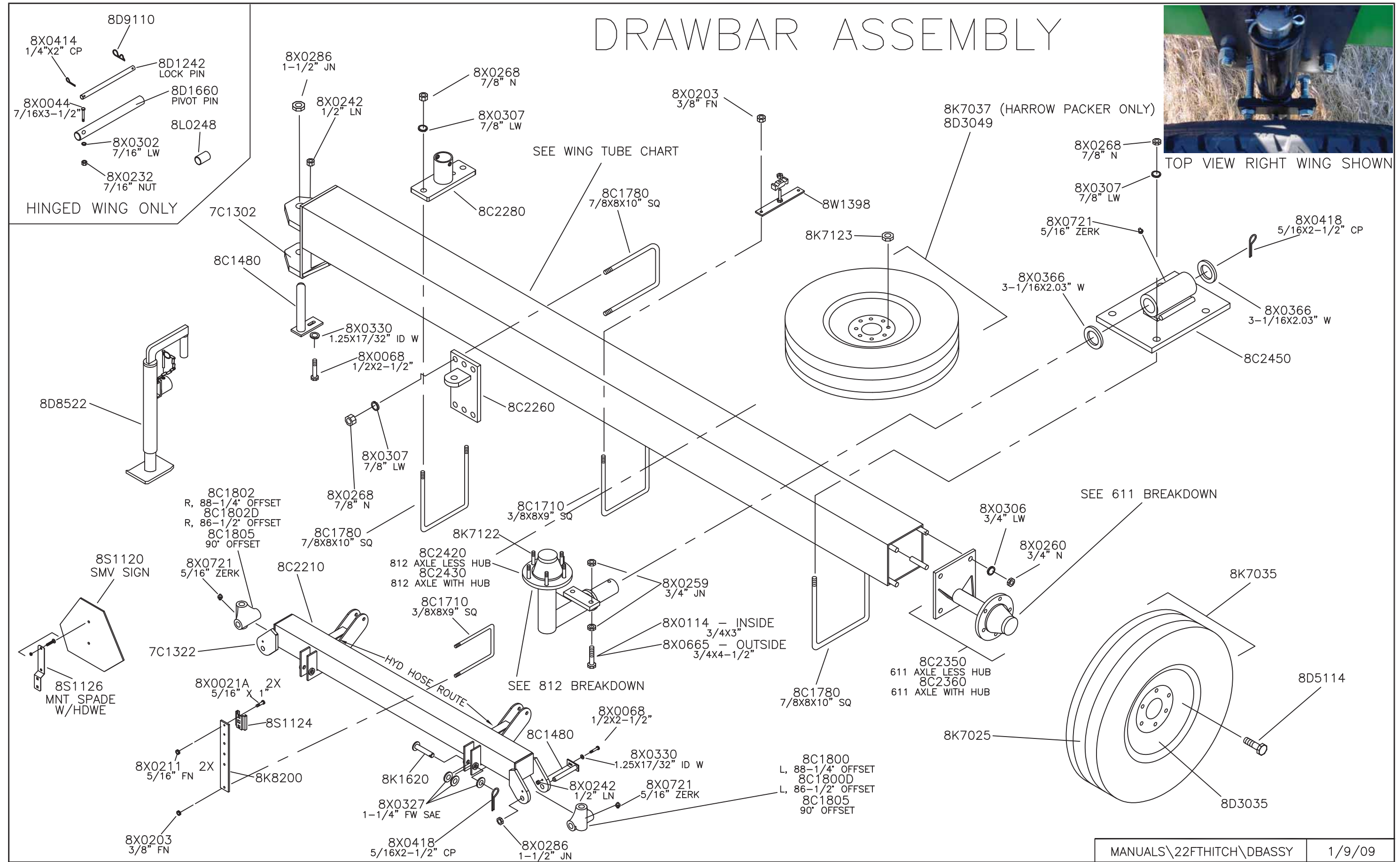
8D2410
1/2" X 9-LINK
(80' HP ONLY)

SEE CHART PAGE 2.3

DRAWBAR ASSEMBLY



TOP VIEW RIGHT WING SHOWN

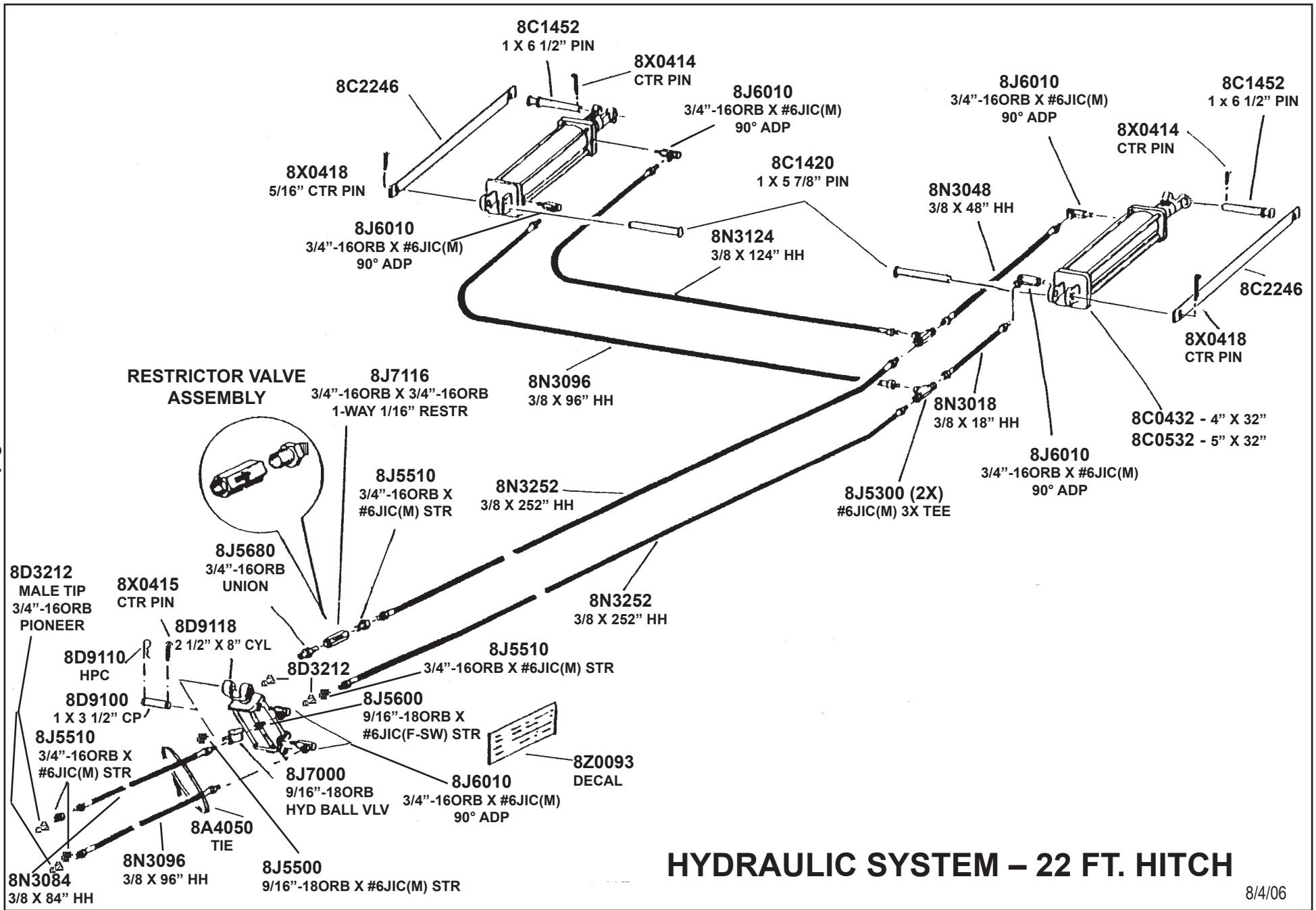


22' HITCH — 8" SQUARE DRAWBAR Specification Chart

Machine Size	Cable Length	PN-Cable	PN-Wing (Hngd Wing - Left Part 1)	PN-Hinged Wing - Right Part 1	PN-Hinged Wing - End	PN-Lift Cylinder
SUPERHARROW PLUS						
36' (Solid Wing)	246"	8D1860	8HD6620			8C0432
48' (Solid Wing)	281"	8D1880	8HD6640			8C0432
60' (Solid Wing)	324"	8D1900	8HD6660			8C0432
60' (Hinged Wing) Inside	246"	8D1860	8HD6663	8HD6664	8HD6665	8C0432
Outside	324"	8D1900				
60' (No Auto-fold) Inside	262"	8D1870				
Outside	341"	8D1910				
72' (Solid Wing) Inside	262"	8D1870	8C3300			8C0432
Outside	370"	8D1920				
72' (Hinged Wing) Inside	246"	8D1860	8HD6663	8HD6664	8HD6698	8C0432
Outside	370"	8D1920				
72' (No Auto-fold) Inside	262"	8D1870				
Outside	383"	8D1930				
84' (Solid Wing) Inside	262"	8D1870	8HD6680			8C0432
Outside	383"	8D1930				
84' (Hinged Wing) Inside	262"	8D1870	8HD6684	8HD6685	8HD6698	8C0432
Outside	383"	8D1930				
84' (No Auto-fold) Inside	262"	8D1870				
Outside	383"	8D1930				
HARROW PACKER (3/8" Tooth)						
30'	227"	8D1850	8C3100			8C0432
40'	262"	8D1870	8C3150			8C0432
50'	521"	8D1970	8C3200			8C0432
60'	581"	8D1980	8C3250			8C0432
70'	661"	8D2000	8C3300			8C0432
80'	661" *	8D2000	8C3350			8C0532
HARROW PACKER (9/16" Tooth)						
36'	246"	8D1860	8HD6620			8C0432
48'	521"	8D1970	8HD6640			8C0532
60'	581"	8D1980	8HD6660			8C0532
4-RANK SUPERWEEDER						
30'	227"	8D1850	8C3100			8C0432
40'	262"	8D1870	8C3150			8C0432
50'	581"	8D1980	8C3200			8C0532
60' Inside	262"	8D1870	8C3500	8C3510	8C3550	8C0532
Outside	324"	8D1900				
70' Inside	262"	8D1870	8C3500	8C3510	8C3600	8C0532
Outside	341"	8D1910				

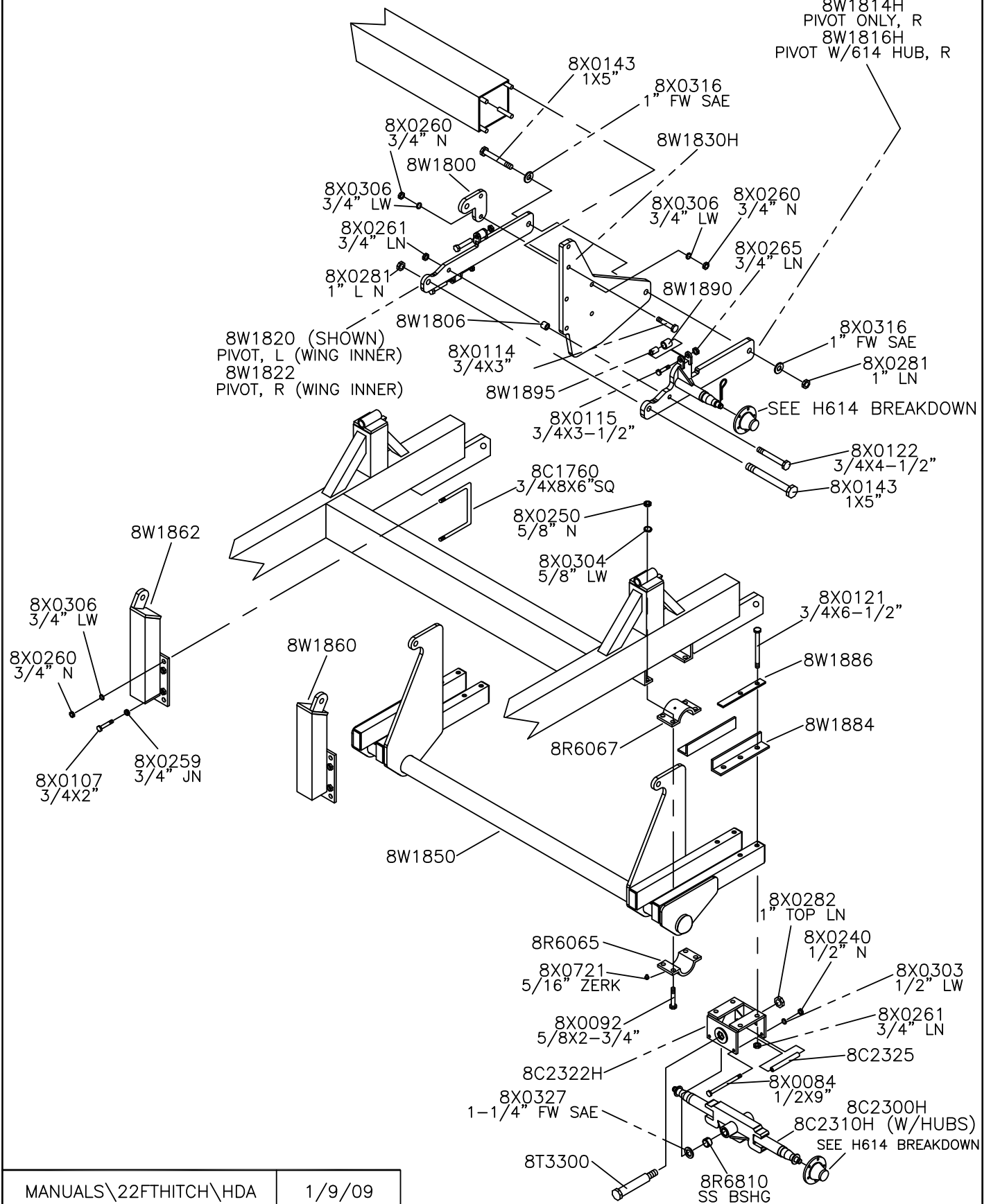
* Used on 9-link pull chain (Part Number 8D2410)

2/7/08



HYDRAULIC DEPTH ADJUSTMENT

- 8W1810H
PIVOT ONLY, L
- 8W1812H
PIVOT W/614 HUB, L
- 8W1814H
PIVOT ONLY, R
- 8W1816H
PIVOT W/614 HUB, R

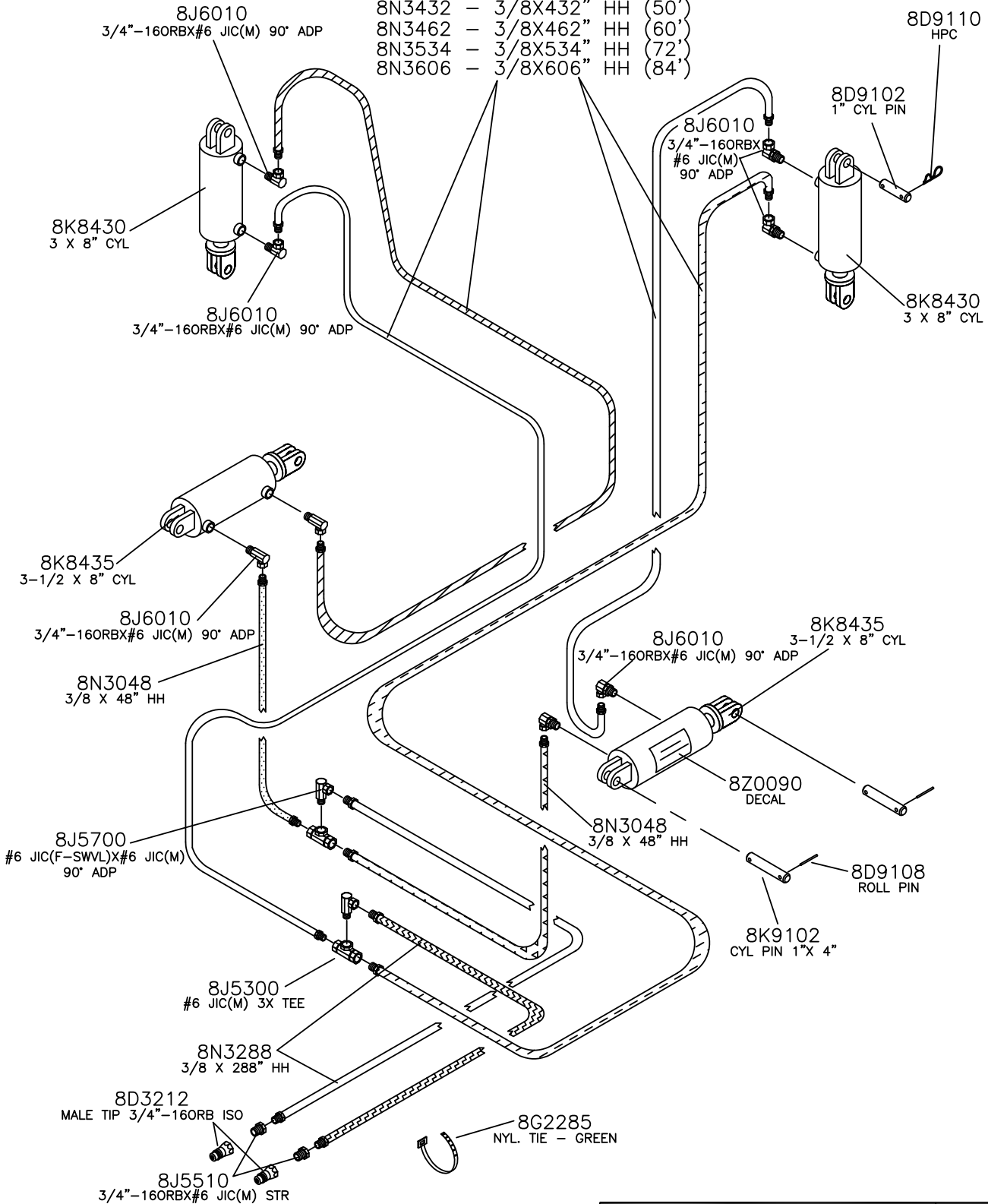


MANUALS\22FTHITCH\HDA

1/9/09

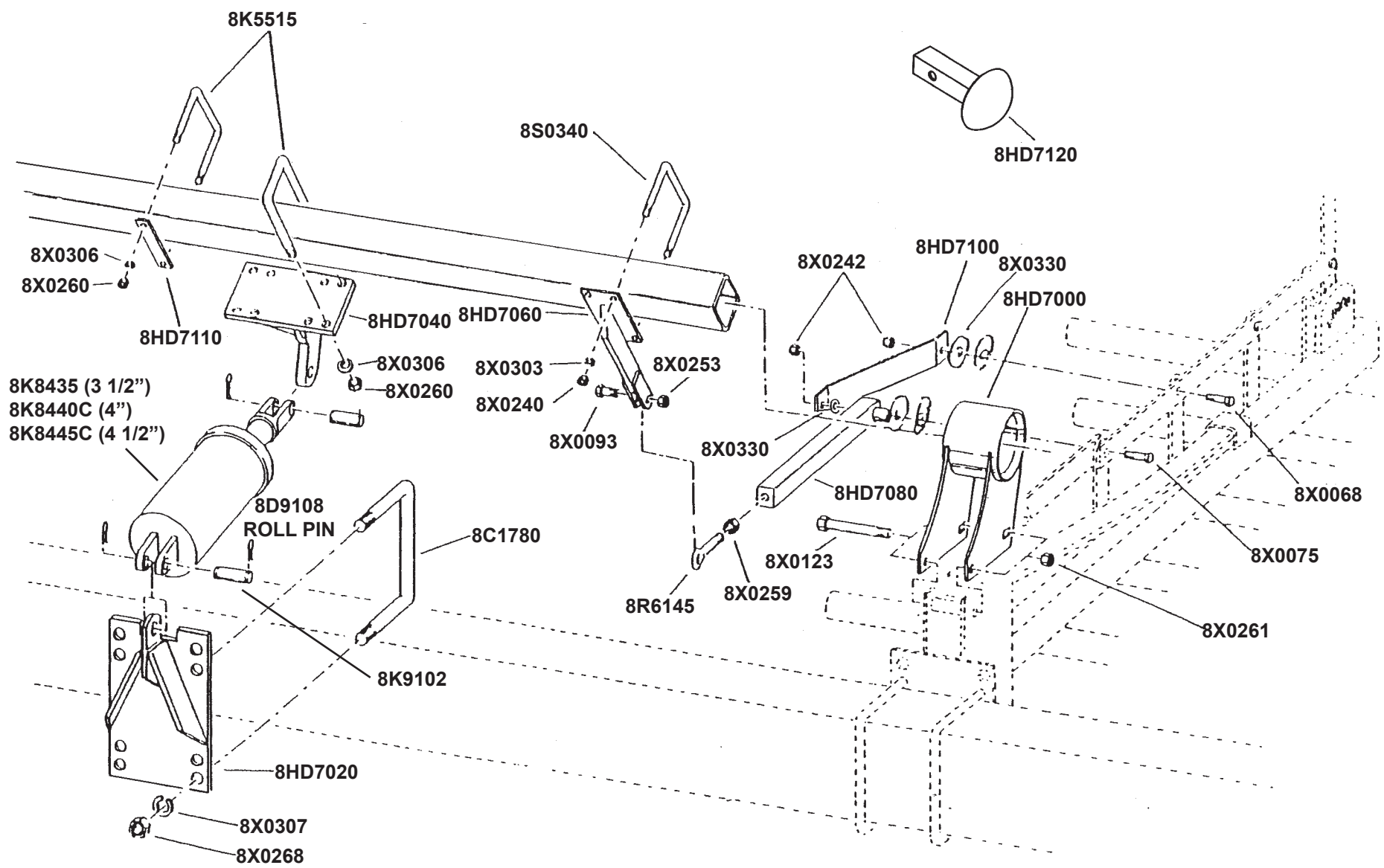
HYDRAULIC DEPTH ADJUSTMENT

- 8N3288 - 3/8X288" HH (30')
- 8N3330 - 3/8X330" HH (36')
- 8N3360 - 3/8X360" HH (40')
- 8N3390 - 3/8X390" HH (48')
- 8N3432 - 3/8X432" HH (50')
- 8N3462 - 3/8X462" HH (60')
- 8N3534 - 3/8X534" HH (72')
- 8N3606 - 3/8X606" HH (84')

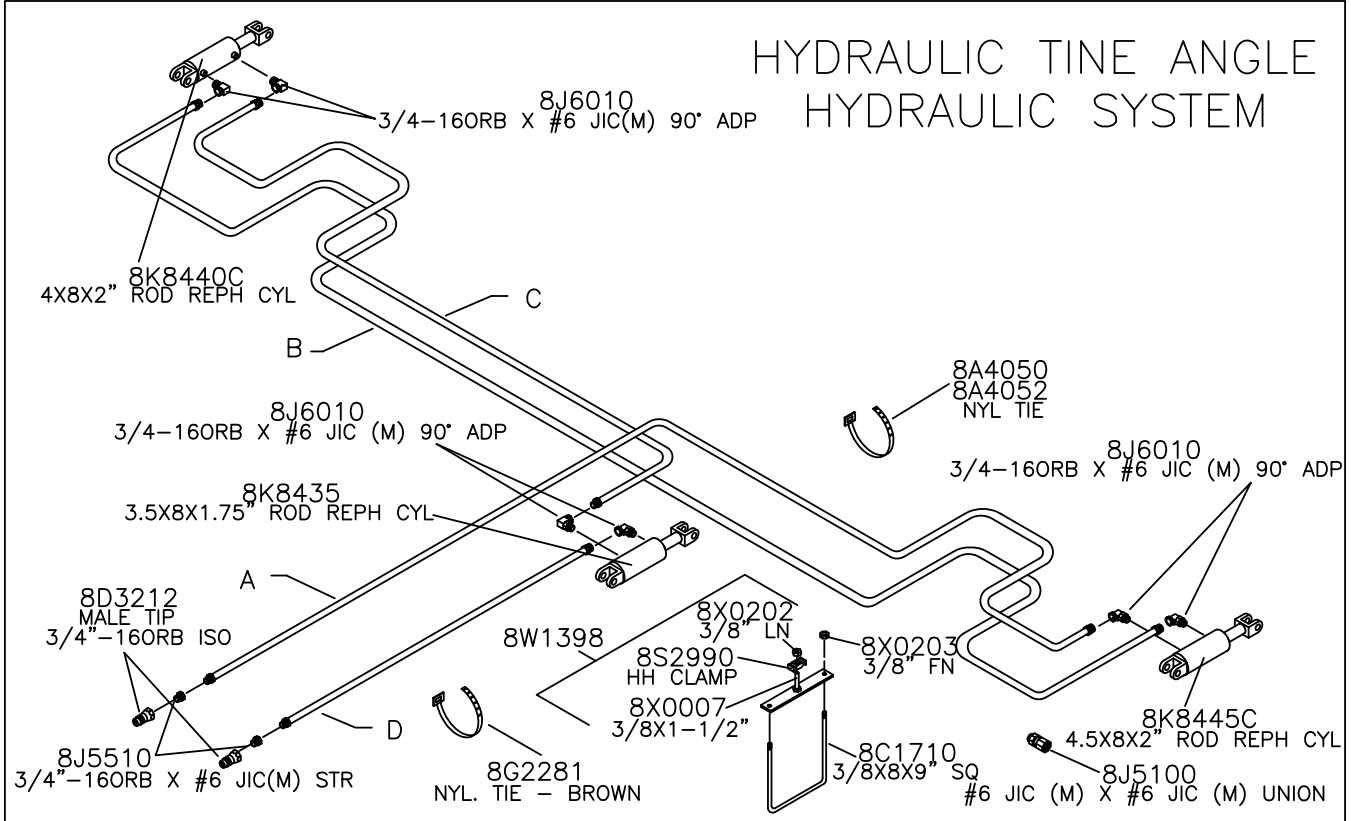


HYDRAULIC TINE ANGLE ASSEMBLY

2.7



HYDRAULIC TINE ANGLE HYDRAULIC SYSTEM

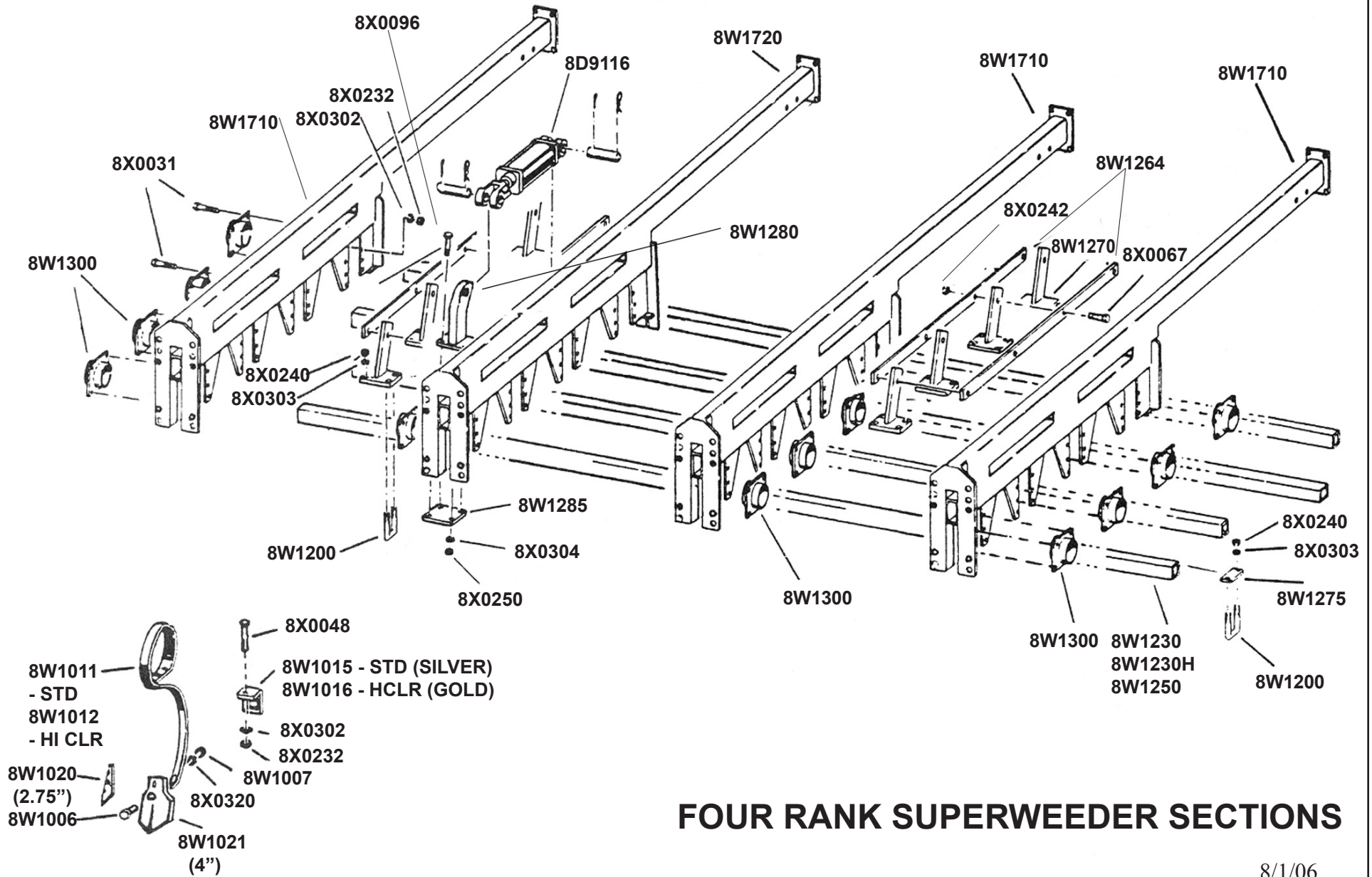


HYDRAULIC HOSES

Machine Size	36'		48'		60'		72'		84'	
HOSE	Length	PN	Length	PN	Length	PN	Length	PN	Length	PN
HOSE A	534"	8N3534	570"	8N3570	570"	8N3570	312" 330"	8N3312 8N3330	360"	8N3360 8N3360
HOSE B	330"	8N3330	432"	8N3432	432"	8N3432	570"	8N3570	360" 348"	8N3360 8N3348
HOSE C	180"	8N3180	216"	8N3216	216"	8N3216	288"	8N3288	360"	8N3360
HOSE D	360"	8N3360	360"	8N3360	360"	8N3360	360"	8N3360	360"	8N3360

All hoses listed are 3/8" diameter. Use 8J5100 #6 JIC union where combined length of two hoses are used.

2.9



FOUR RANK SUPERWEEDER SECTIONS

8J6010
3/4"-16ORB X #6 JIC(M)
90° ADP

30 Ft. Unit

8D9116
HYD. CYL. 2-1/2X8"
W/DEPTH CONTROL

8W1357
PLUG 9/16"-18 ORB

8J5500
9/16"-18ORB X #6 JIC(M)

8W1360
Manifold Block

Hose Lengths

a = 110" - 8N2110
b = 190" - 8N2190
c = 250" - 8N2250

2.10

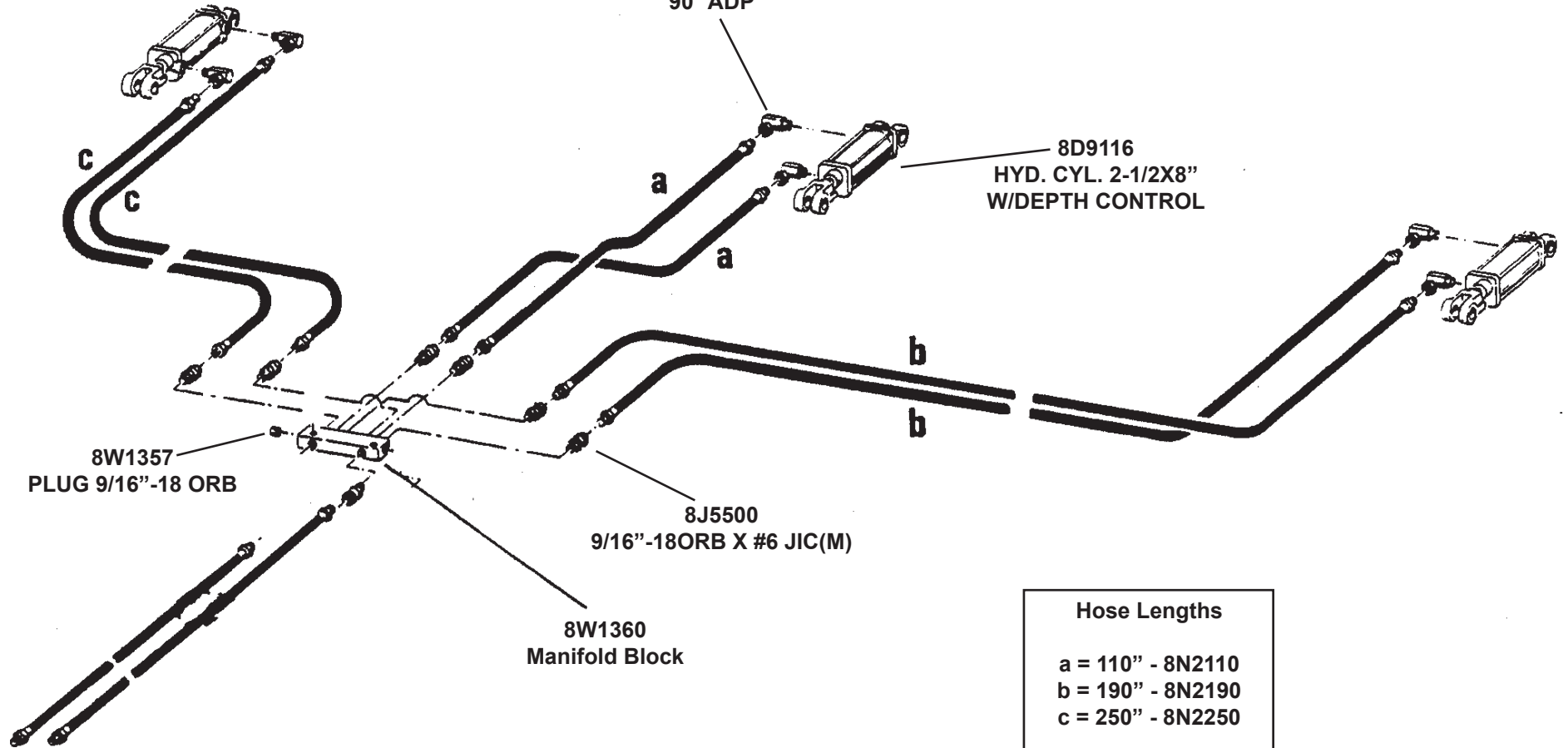
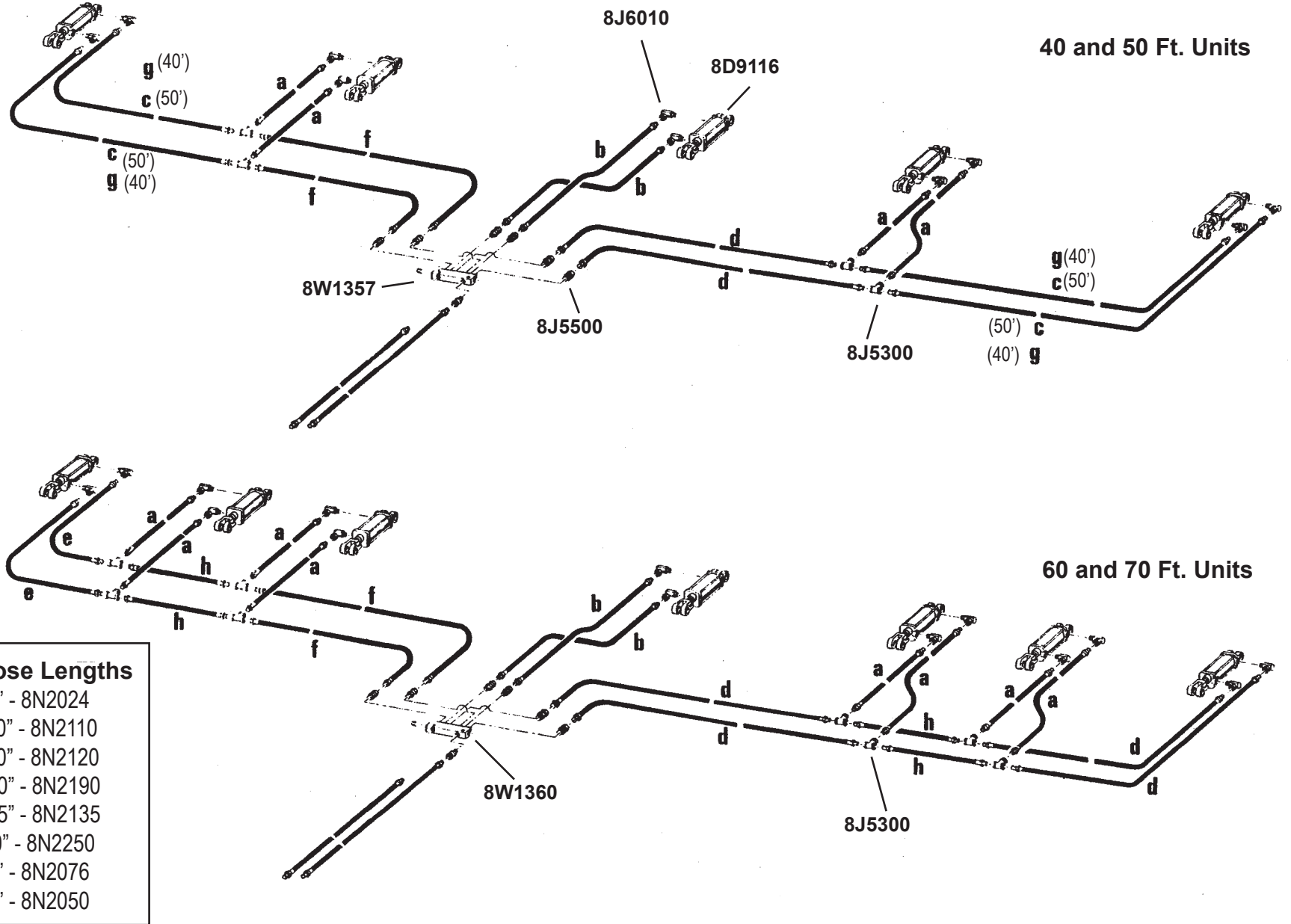
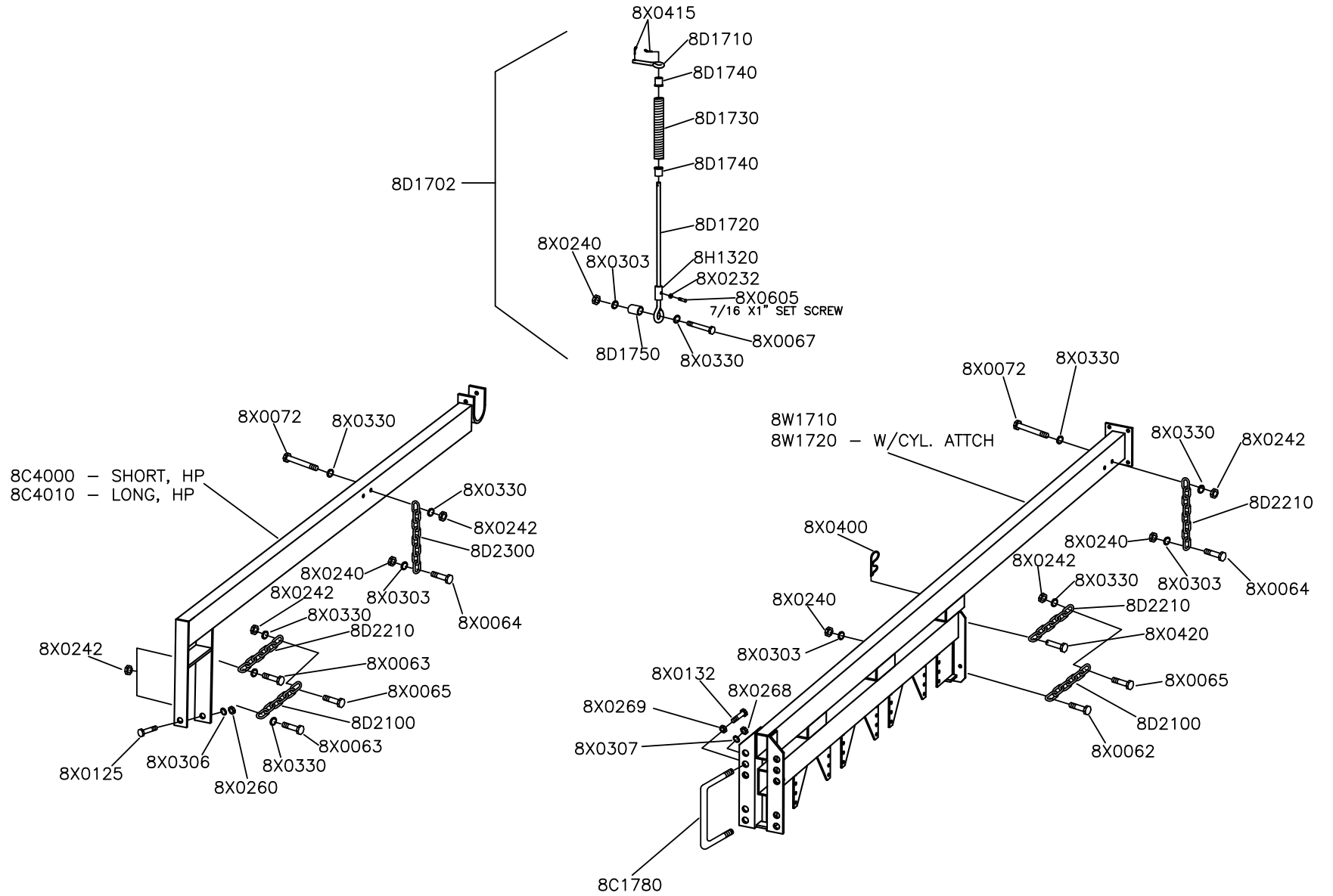


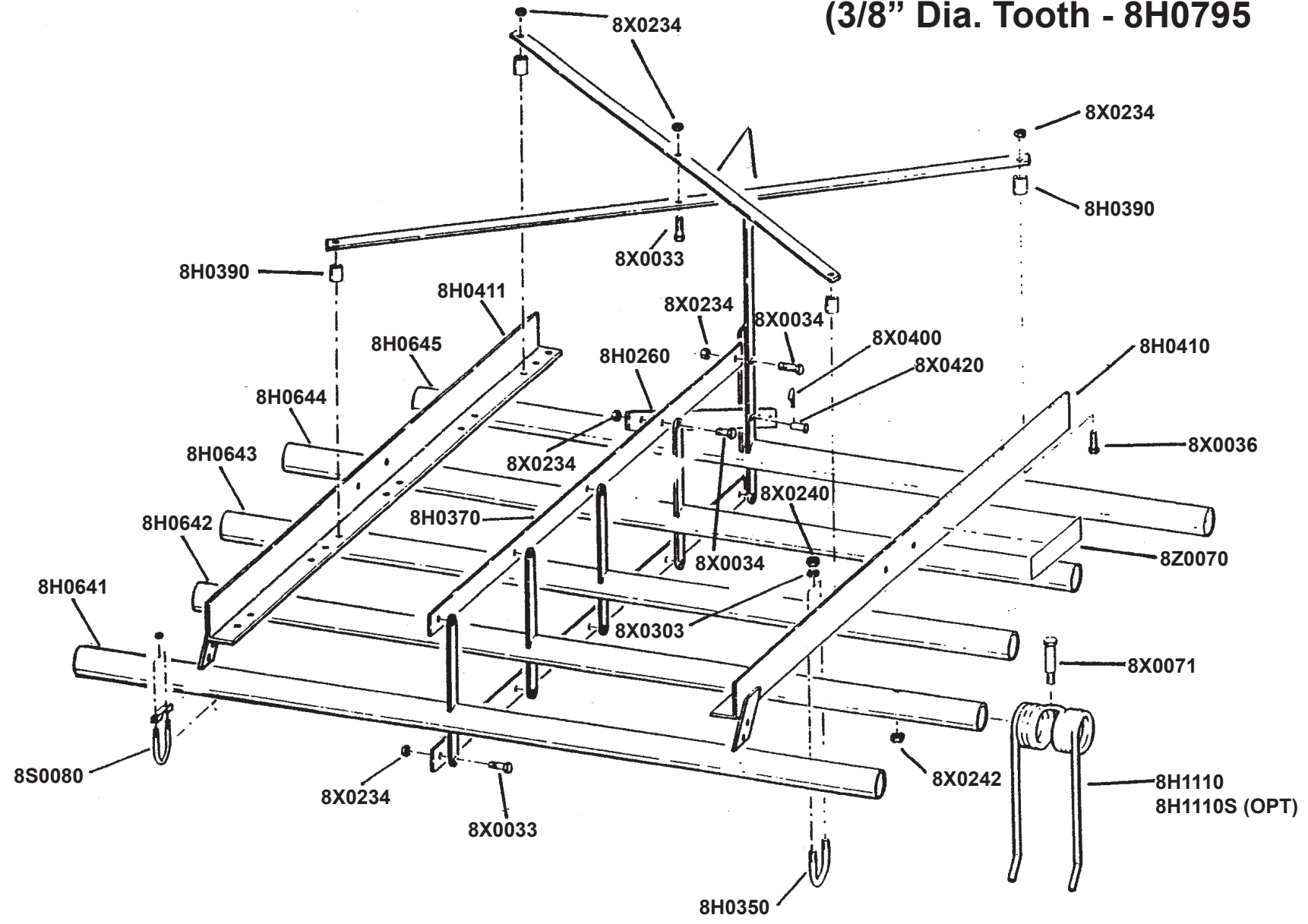
Fig. 7: Hydraulic System, S-Tine Rotation - 4-Rank Superweeder





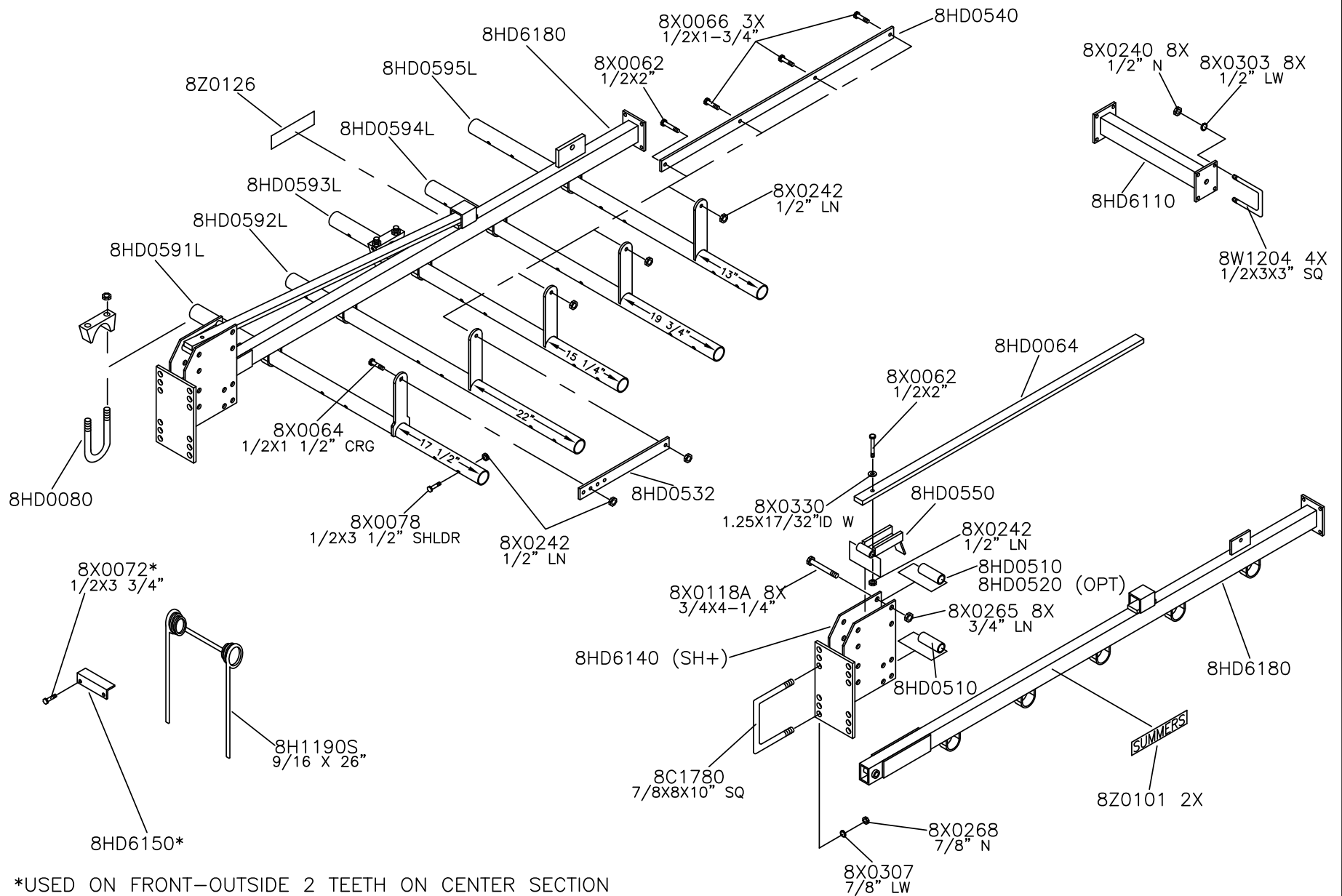
5 FT. HARROW SECTION - 5 BAR (3/8" Dia. Tooth - 8H0795)

2.13



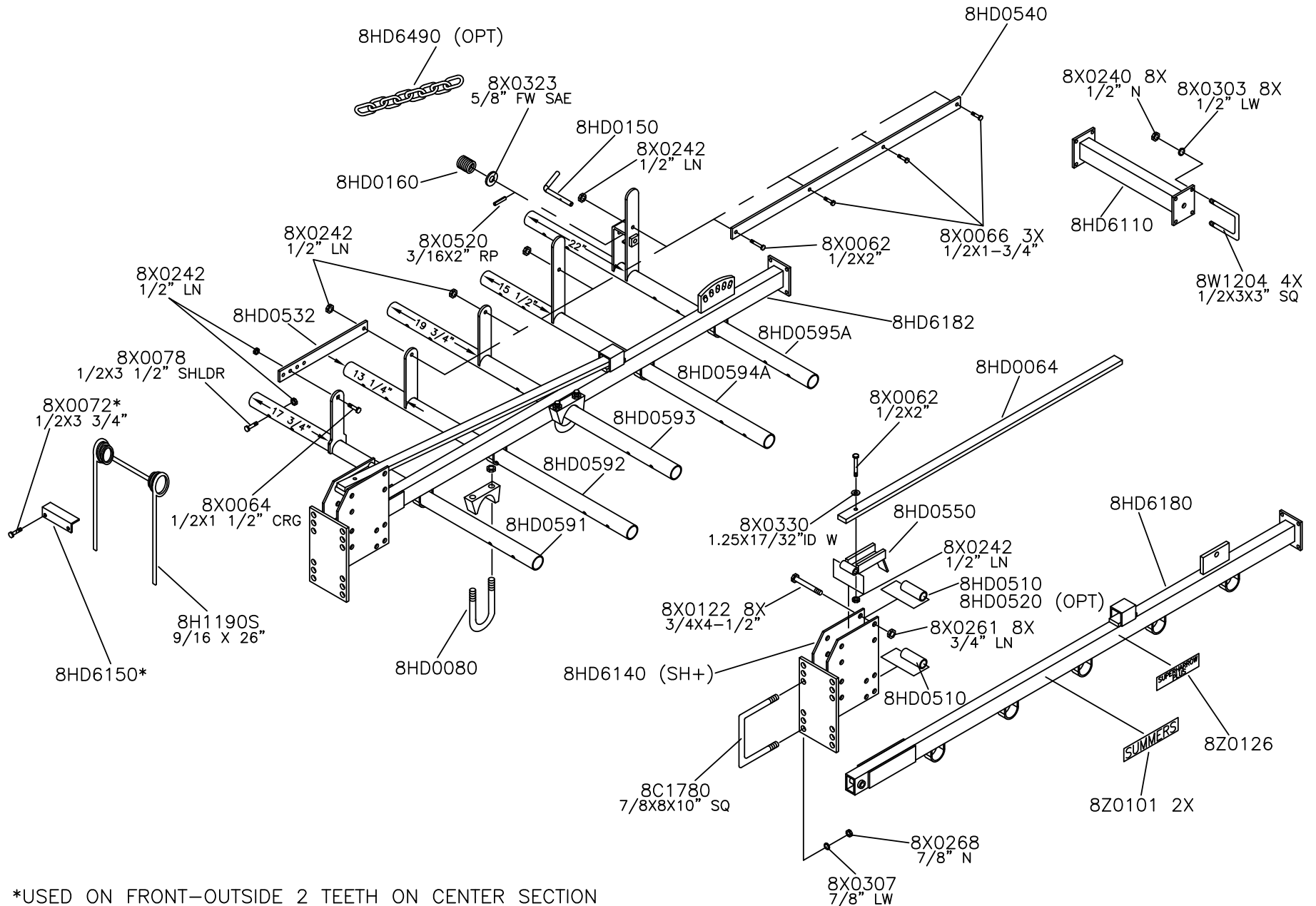
5-BAR SUPERHARROW PLUS SECTION, LEFT HAND LEVERS

2.14



*USED ON FRONT-OUTSIDE 2 TEETH ON CENTER SECTION (ABOVE KNUCKLES) TO PREVENT INTERFERENCE IN TRANSPORT POSITION (SUPERHARROW PLUS ONLY).

5-BAR SUPERHARROW PLUS SECTION, RIGHT HAND LEVERS

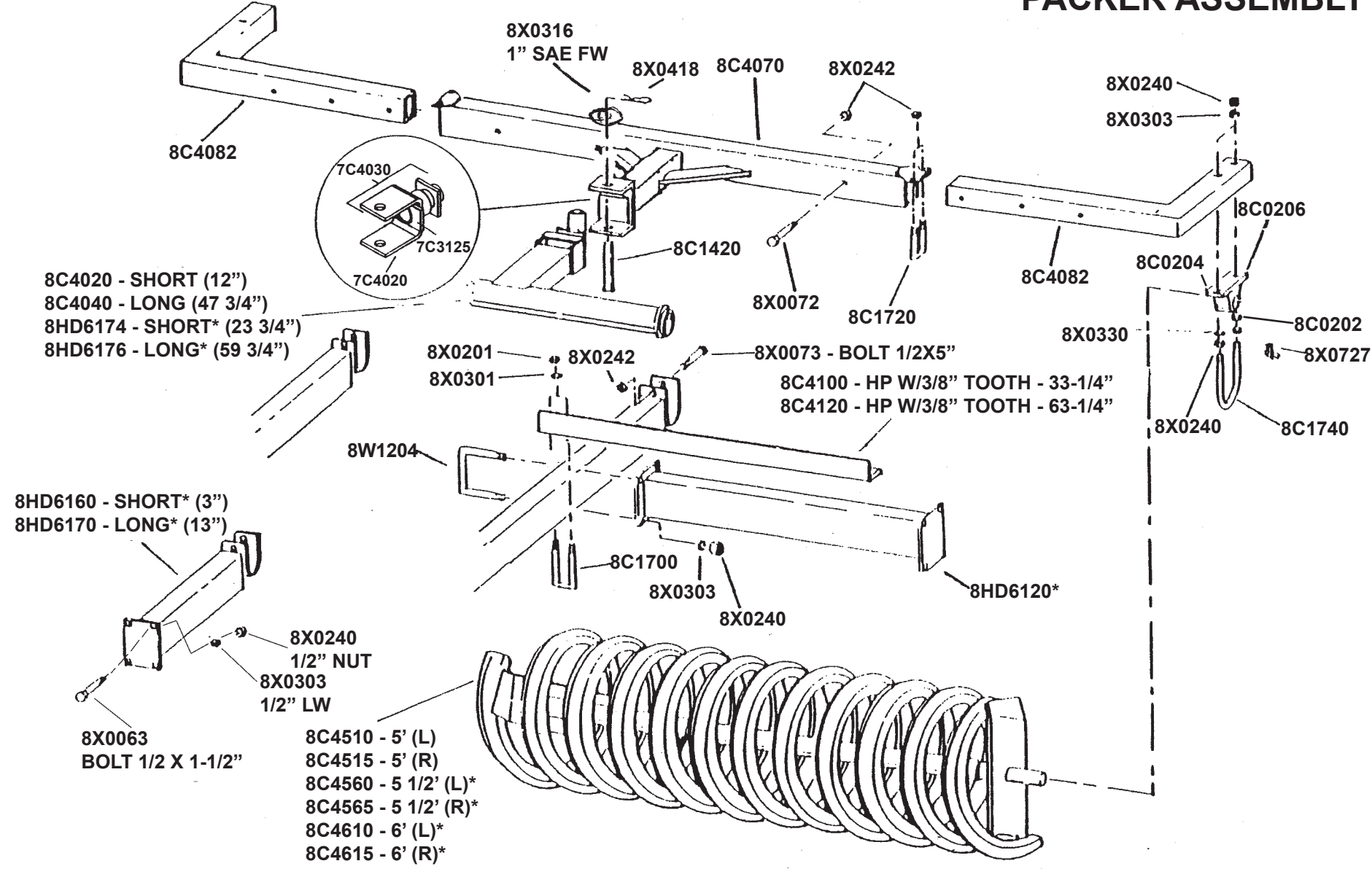


2.15

*USED ON FRONT-OUTSIDE 2 TEETH ON CENTER SECTION (ABOVE KNUCKLES) TO PREVENT INTERFERENCE IN TRANSPORT POSITION (SUPERHARROW PLUS ONLY).

PACKER ASSEMBLY

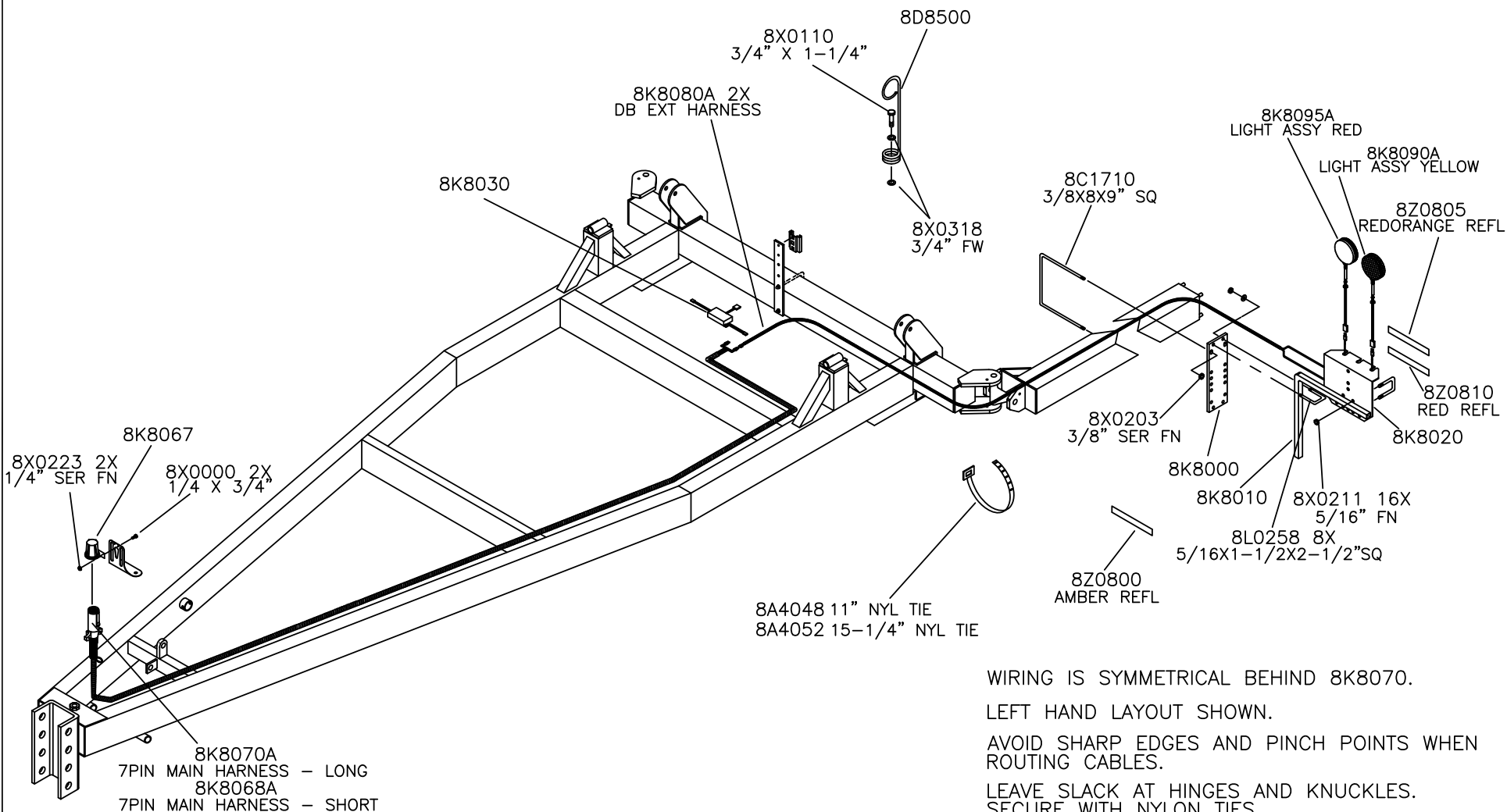
2.16



* SUPERHARROW PLUS WITH COIL PACKER ONLY

LIGHT KIT, 8SQ DRAWBAR

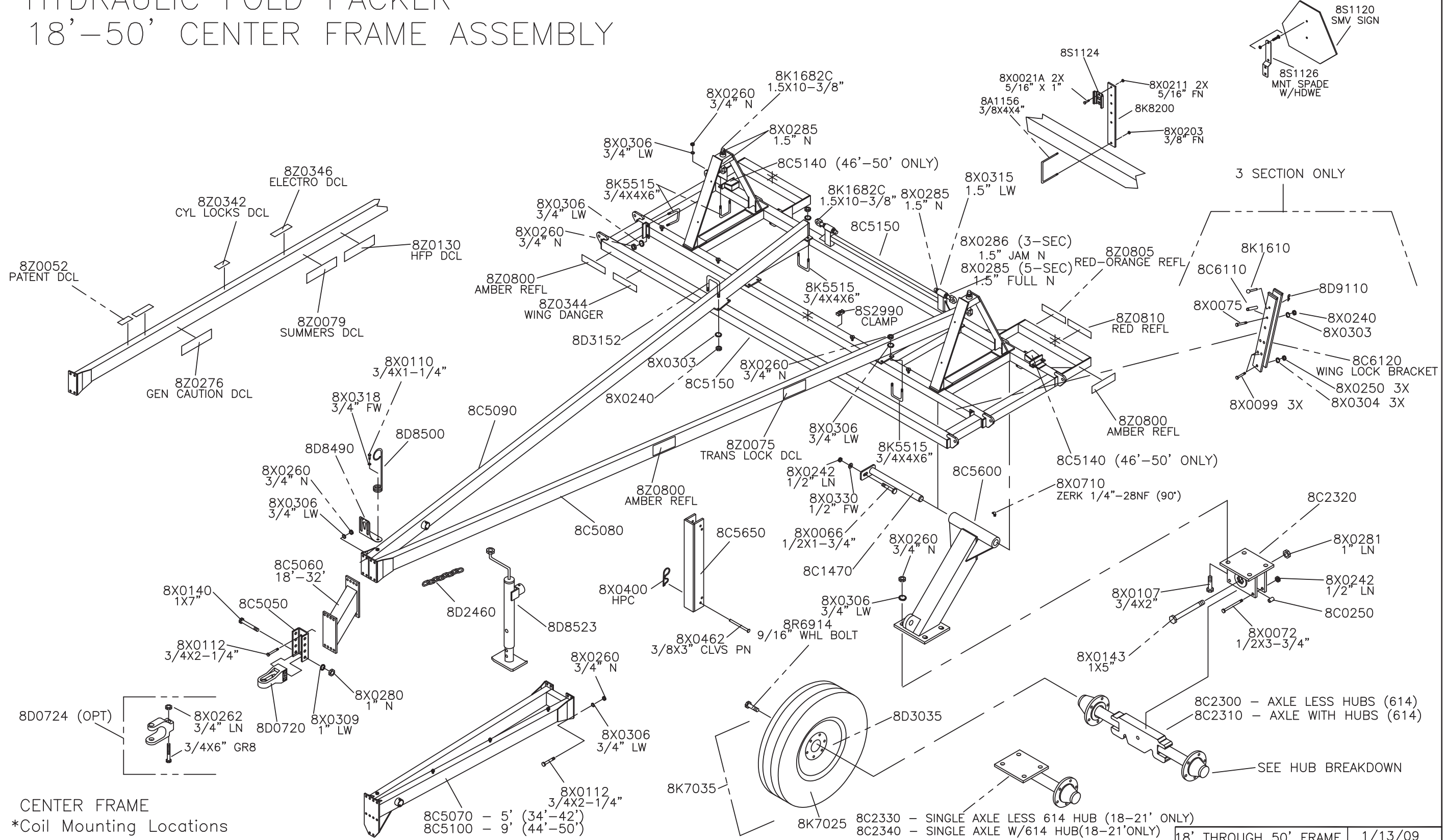
2.17



HYDRAULIC FOLD PACKER DRAWBAR

Center - 18' to 50'	3.1
Center - 52' to 60'	3.2
Wings (3 Section) 18' to 44'	3.3
Wings (5 Section) 46' to 60'	3.4
Hydraulics (3-Section) 18' to 21'	3.5
Hydraulics (3-Section) 26' to 44'	3.6
Hydraulics (5-Section) 46' to 50'	3.7
Hydraulics (5-Section) 52' to 60'	3.8
Coil Assembly	3.9
Light Kit	3.10

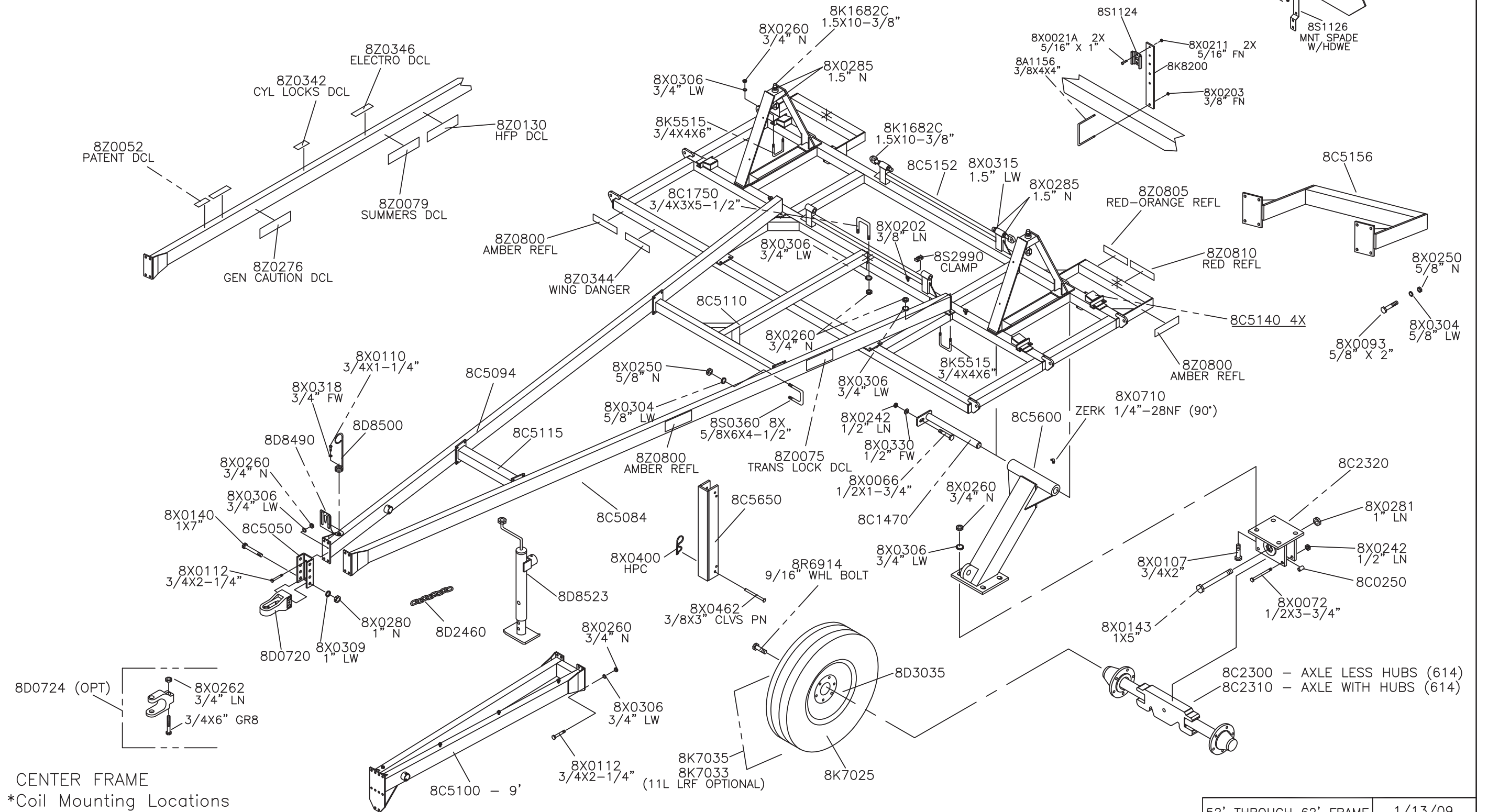
HYDRAULIC FOLD PACKER 18'-50' CENTER FRAME ASSEMBLY



CENTER FRAME
*Coil Mounting Locations

18' THROUGH 50' FRAME | 1/13/09

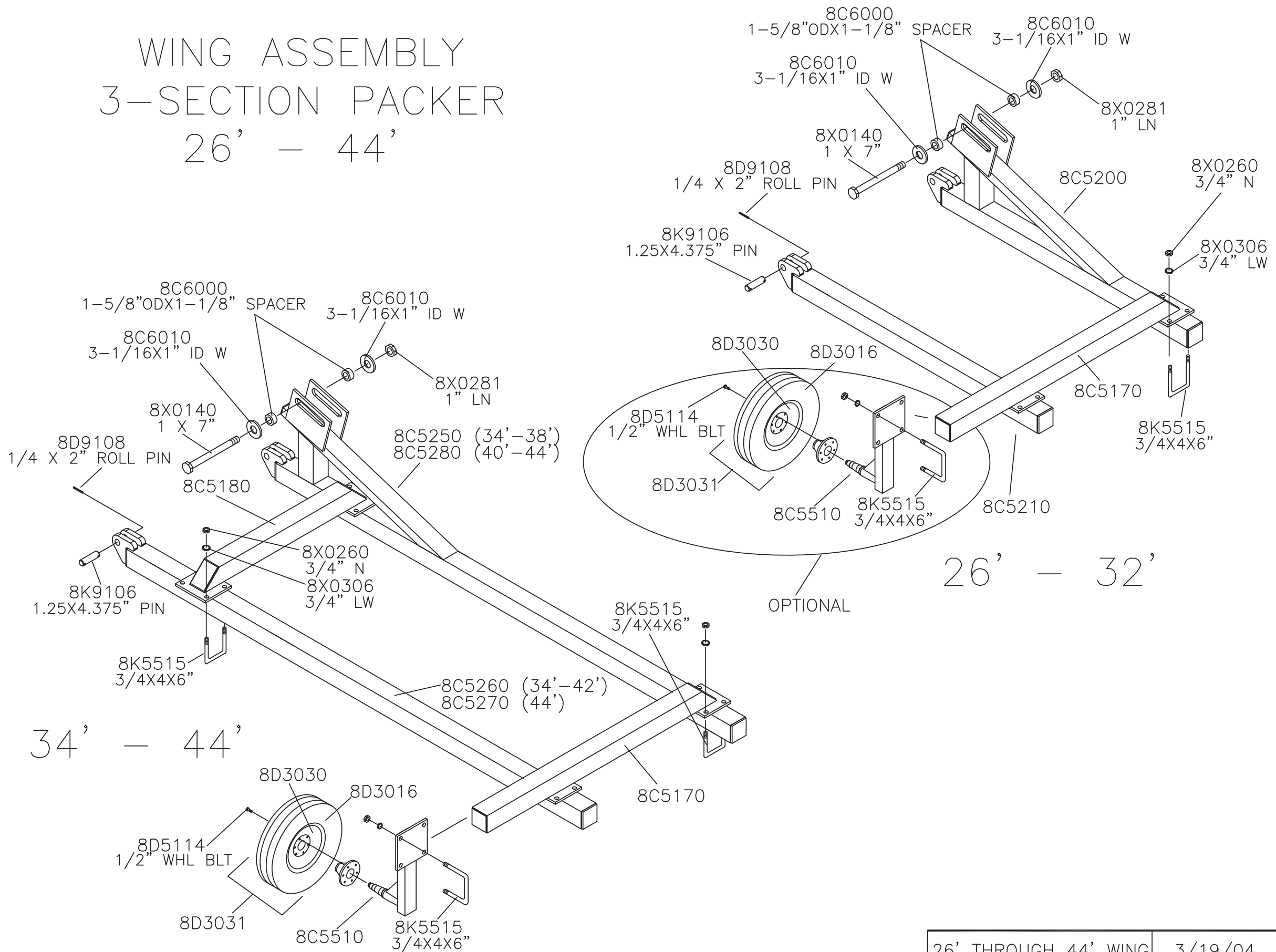
HYDRAULIC FOLD PACKER 52'-62' CENTER FRAME ASSEMBLY



CENTER FRAME
*Coil Mounting Locations

52' THROUGH 62' FRAME 1/13/09

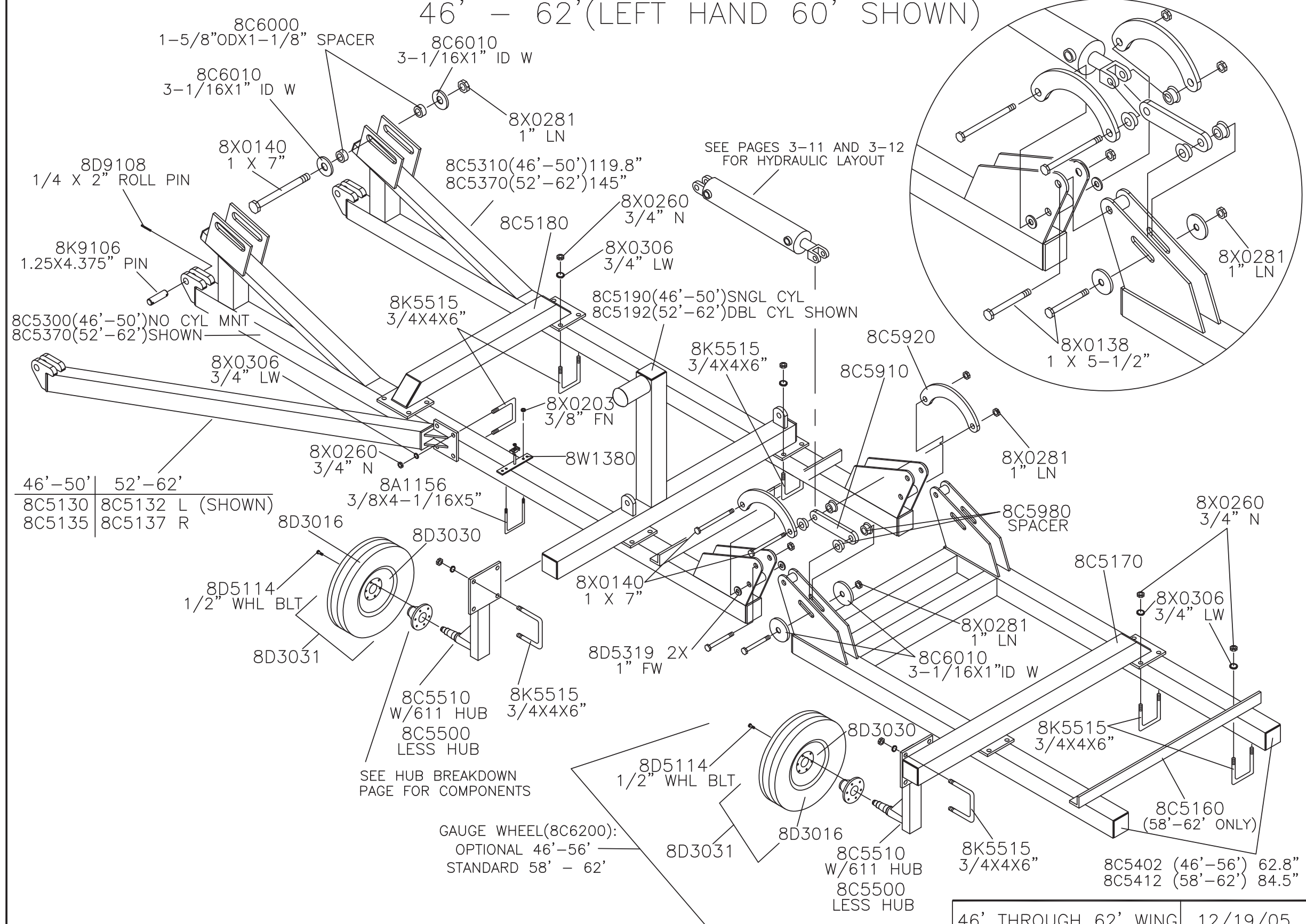
WING ASSEMBLY 3-SECTION PACKER 26' - 44'



26' THROUGH 44' WING 3/19/04

WING ASSEMBLY 5-SECTION PACKER

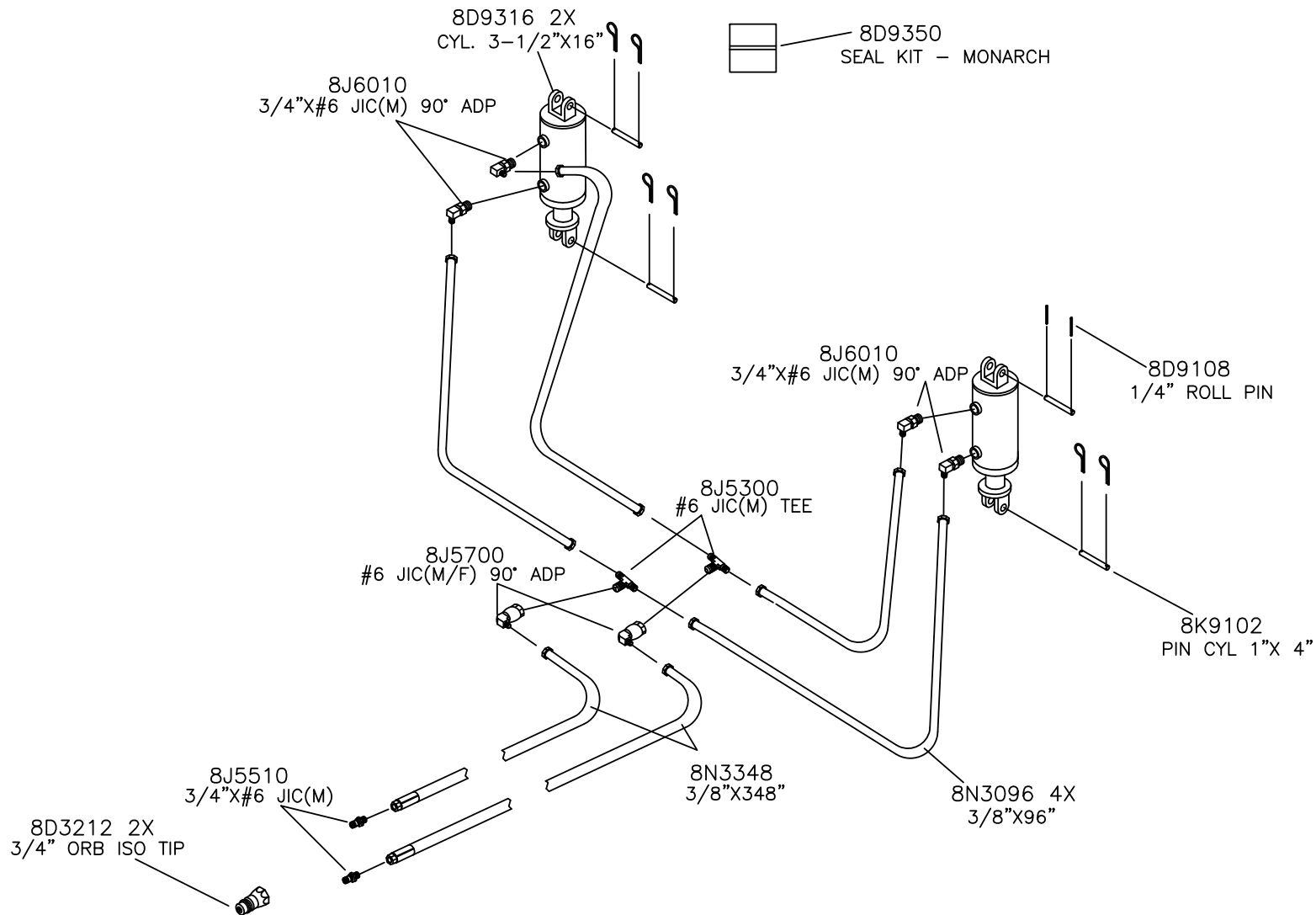
46' - 62' (LEFT HAND 60' SHOWN)



46' THROUGH 62' WING 12/19/05

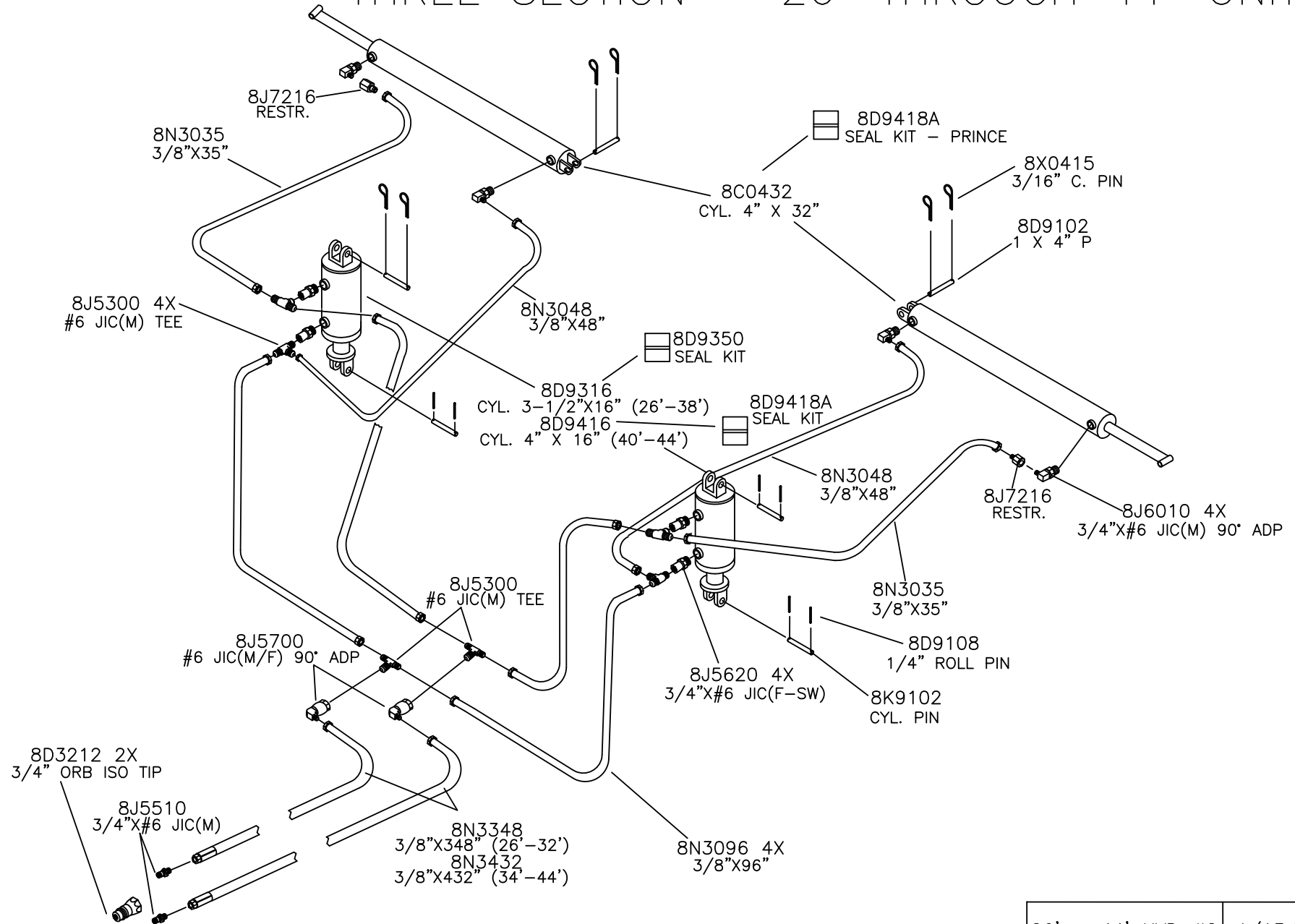
HYDRAULIC FOLD COIL PACKER HYDRAULIC ASSEMBLY SOLID SECTION – 18', 20' & 21' UNITS

3.5

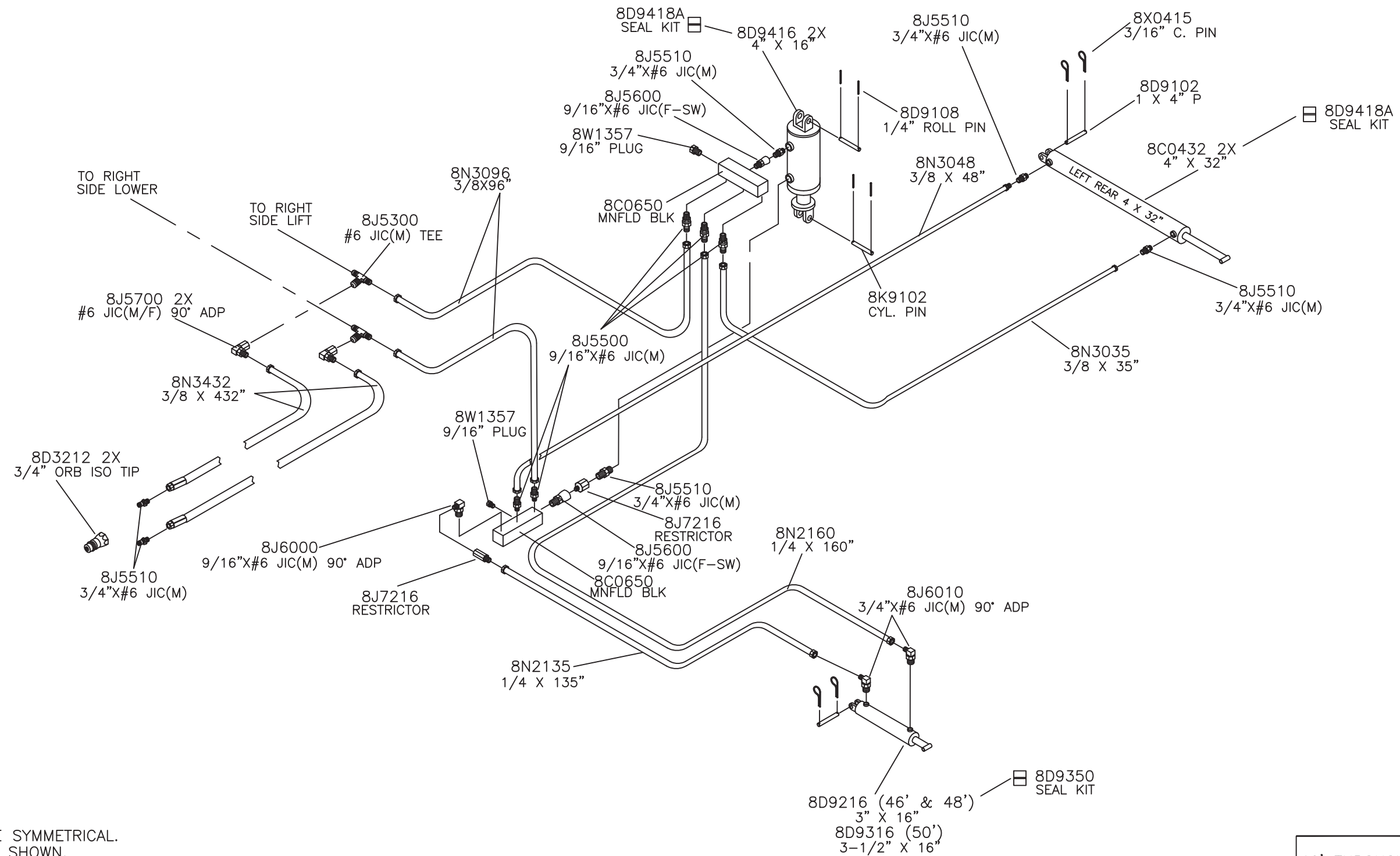


HYDRAULIC FOLD COIL PACKER HYDRAULIC ASSEMBLY THREE SECTION – 26' THROUGH 44' UNITS

3.6



HYDRAULIC FOLD PACKER HYDRAULIC ASSEMBLY FIVE SECTION – 46' THROUGH 50' UNITS

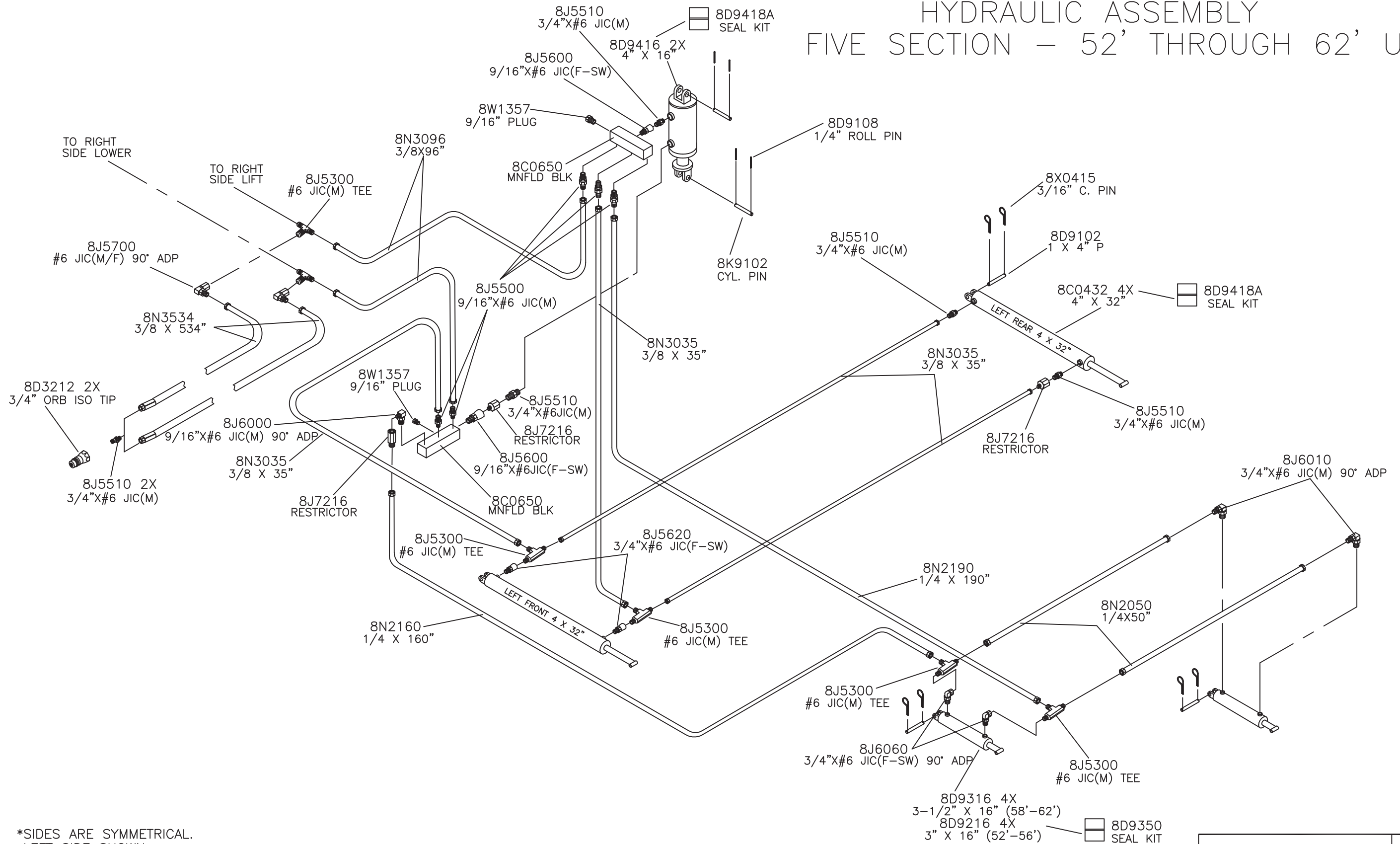


*SIDES ARE SYMMETRICAL.
LEFT SIDE SHOWN.

46' THROUGH 50' HYD JIC

1/13/09

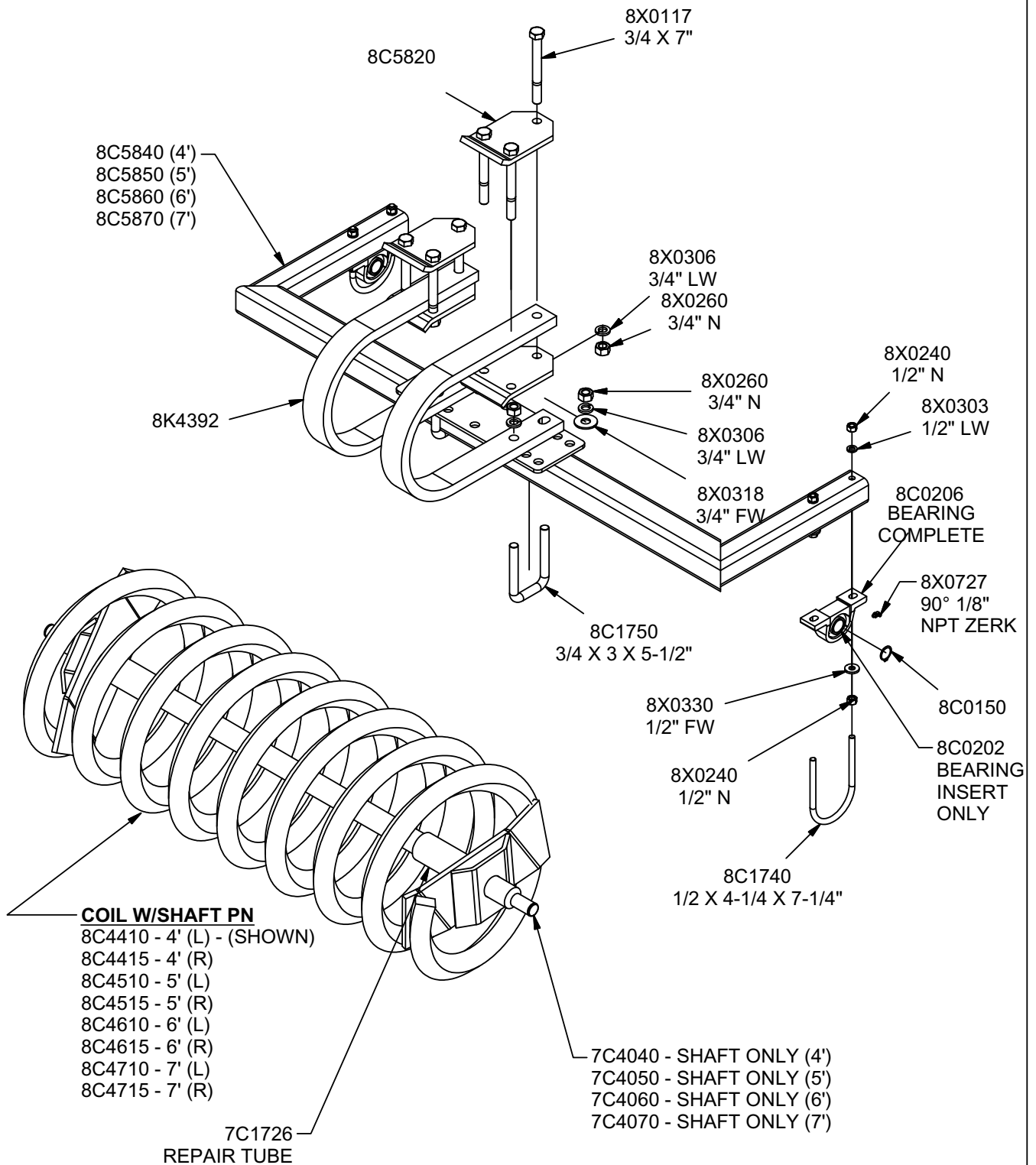
HYDRAULIC FOLD PACKER HYDRAULIC ASSEMBLY FIVE SECTION – 52' THROUGH 62' UNITS



*SIDES ARE SYMMETRICAL.
LEFT SIDE SHOWN.

52' THROUGH 62' HYD JIC	1/13/09
-------------------------	---------

PACKER COIL MOUNTING ASSEMBLY

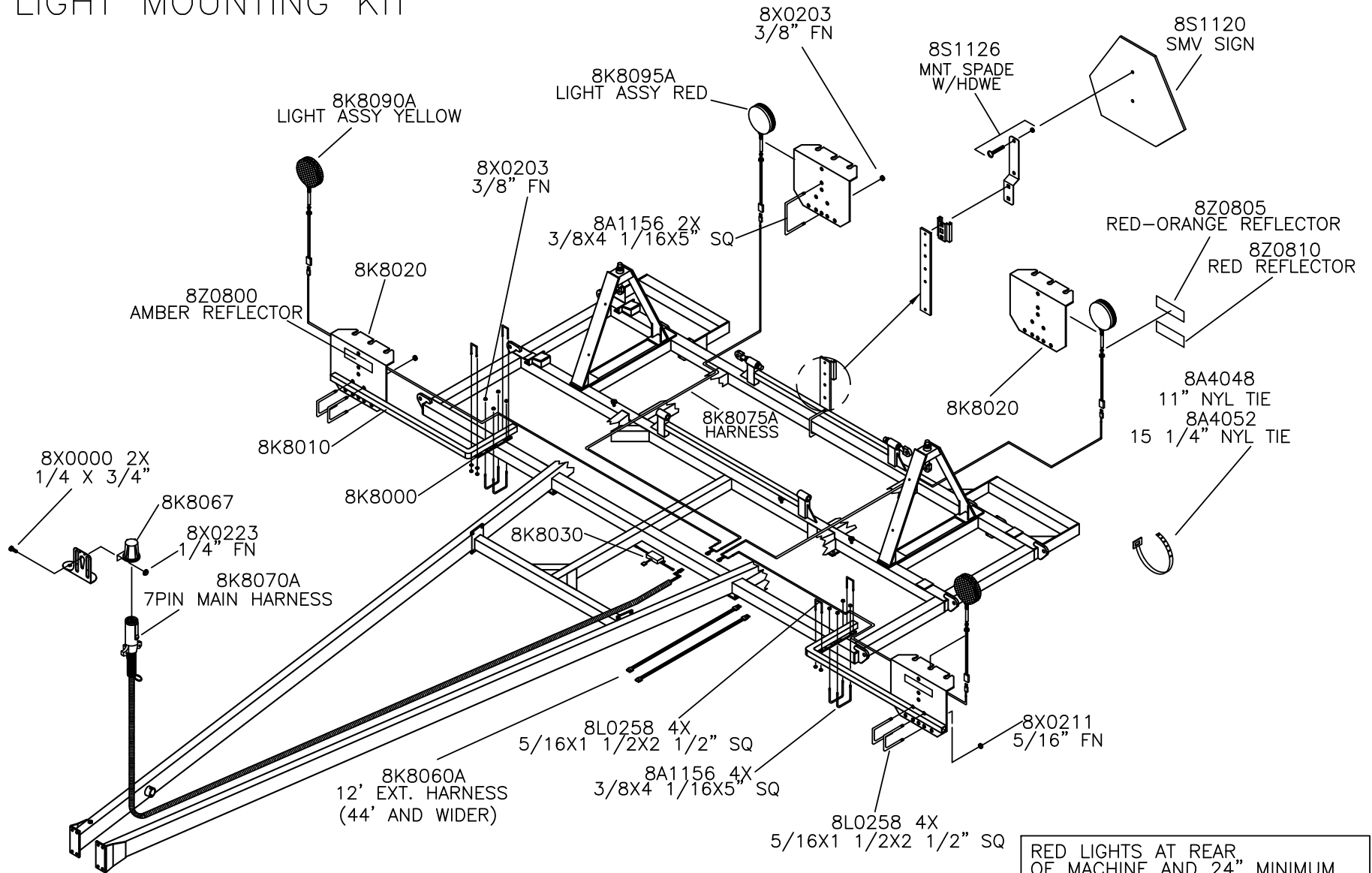


1/14/2009

PCKRCOILMNT.iam/

HYDRAULIC FOLD PACKER DRAWBAR LIGHT MOUNTING KIT

3.10



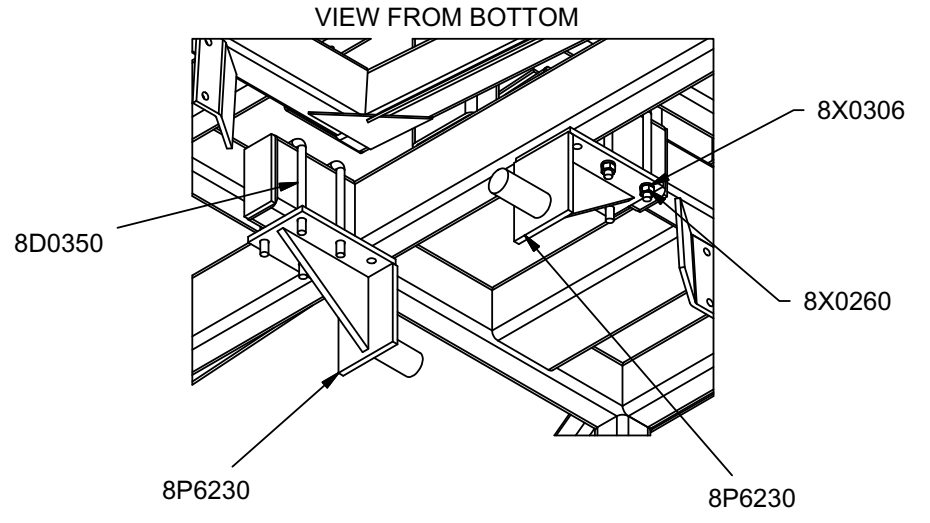
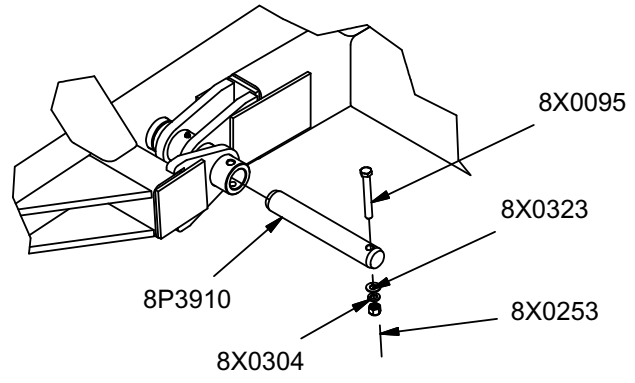
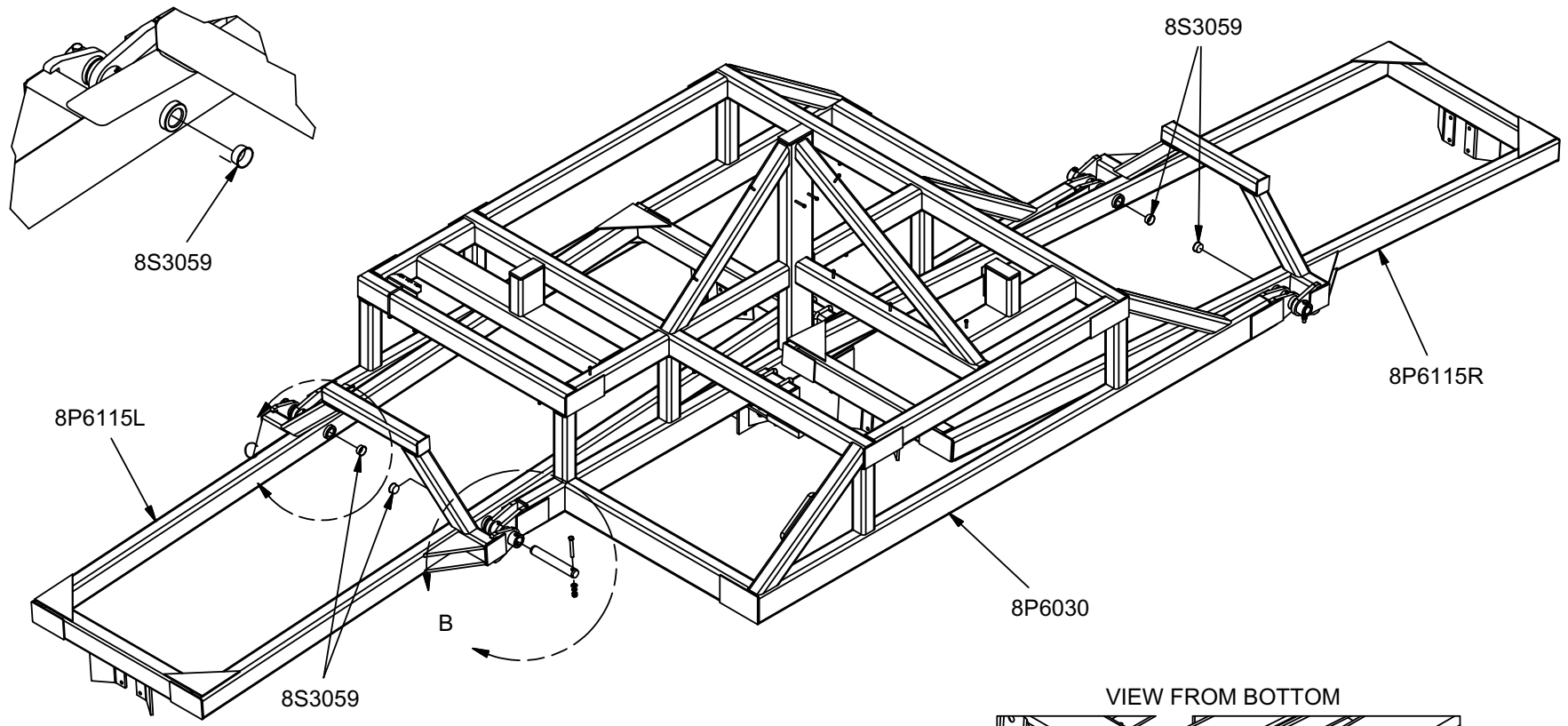
RED LIGHTS AT REAR OF MACHINE AND 24" MINIMUM FROM CENTERLINE (60" MAXIMUM)

YELLOW LIGHTS AT 16" MAXIMUM INSIDE WIDEST PART OF MACHINE

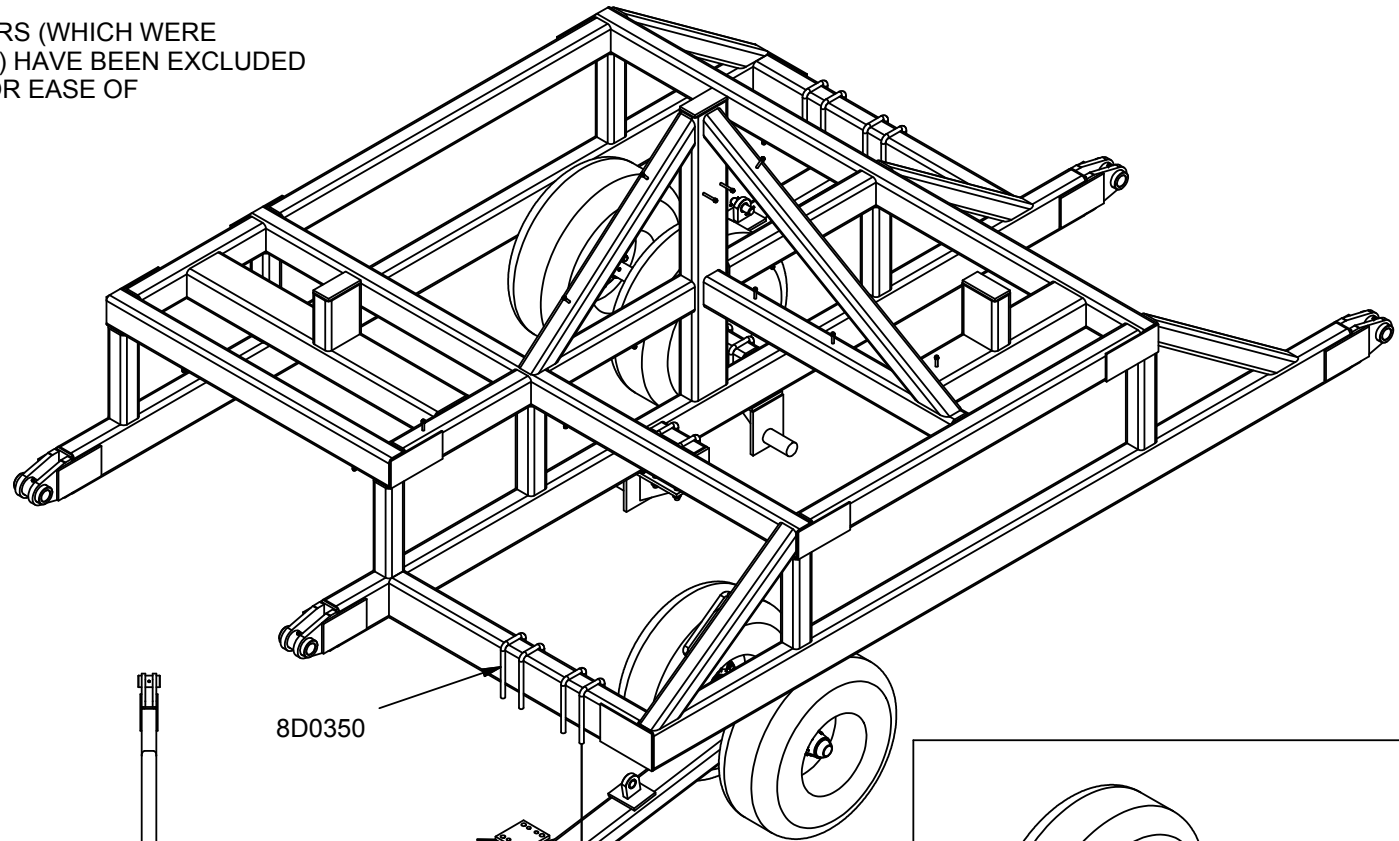
Superrollers

30' Center & Hitch	4.1 - 4.8
30' Hydraulics	4.9
30' Safety Lights	4.10
41' & 45' Center & Hitch	4.11
41' & 45' Transport Rest	4.12
41' & 45' Hydraulics	4.13
41' & 45' Wing	4.14
Roller Drum	4.15
41' & 45' Safety Lights	4.16
62' & 84' Center	4.17
62' & 84' Hitch	4.18
62' & 84' Center Transport	4.19
62' & 84' Part 1	4.20
62' & 84' Part 2	4.21
62' & 84' Part 2 Wheel	4.22
Acre Meter	4.23
62' & 84' Part 2 Transport Wheel	4.24
62' & 84' Safety Lights	4.25

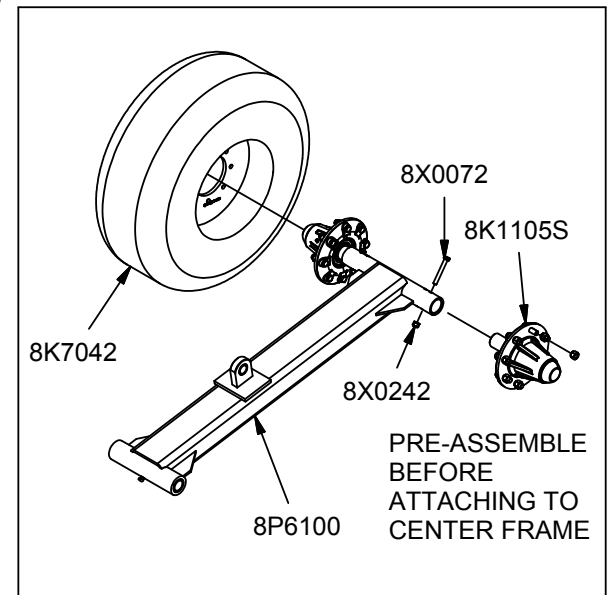
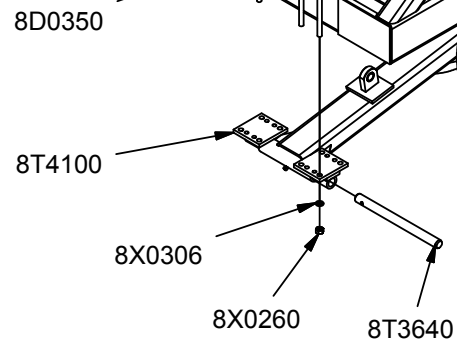
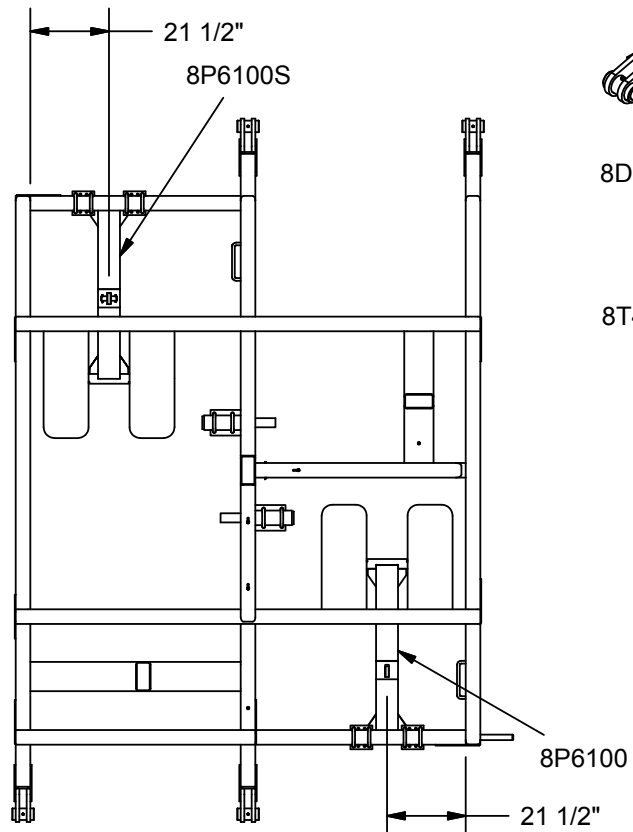
4.1



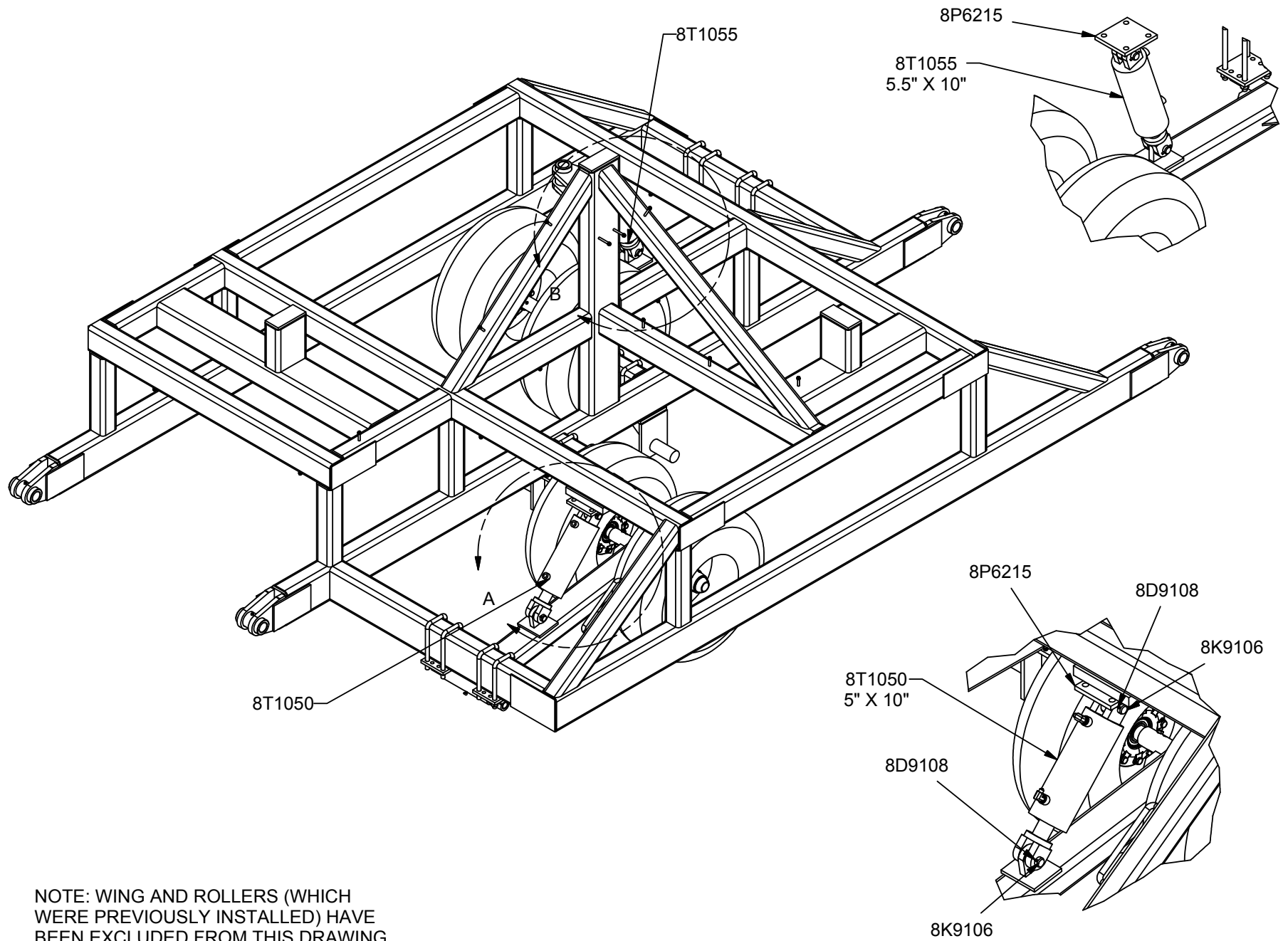
NOTE: WING AND ROLLERS (WHICH WERE PREVIOUSLY INSTALLED) HAVE BEEN EXCLUDED FROM THIS DRAWING FOR EASE OF REPRESENTATION.



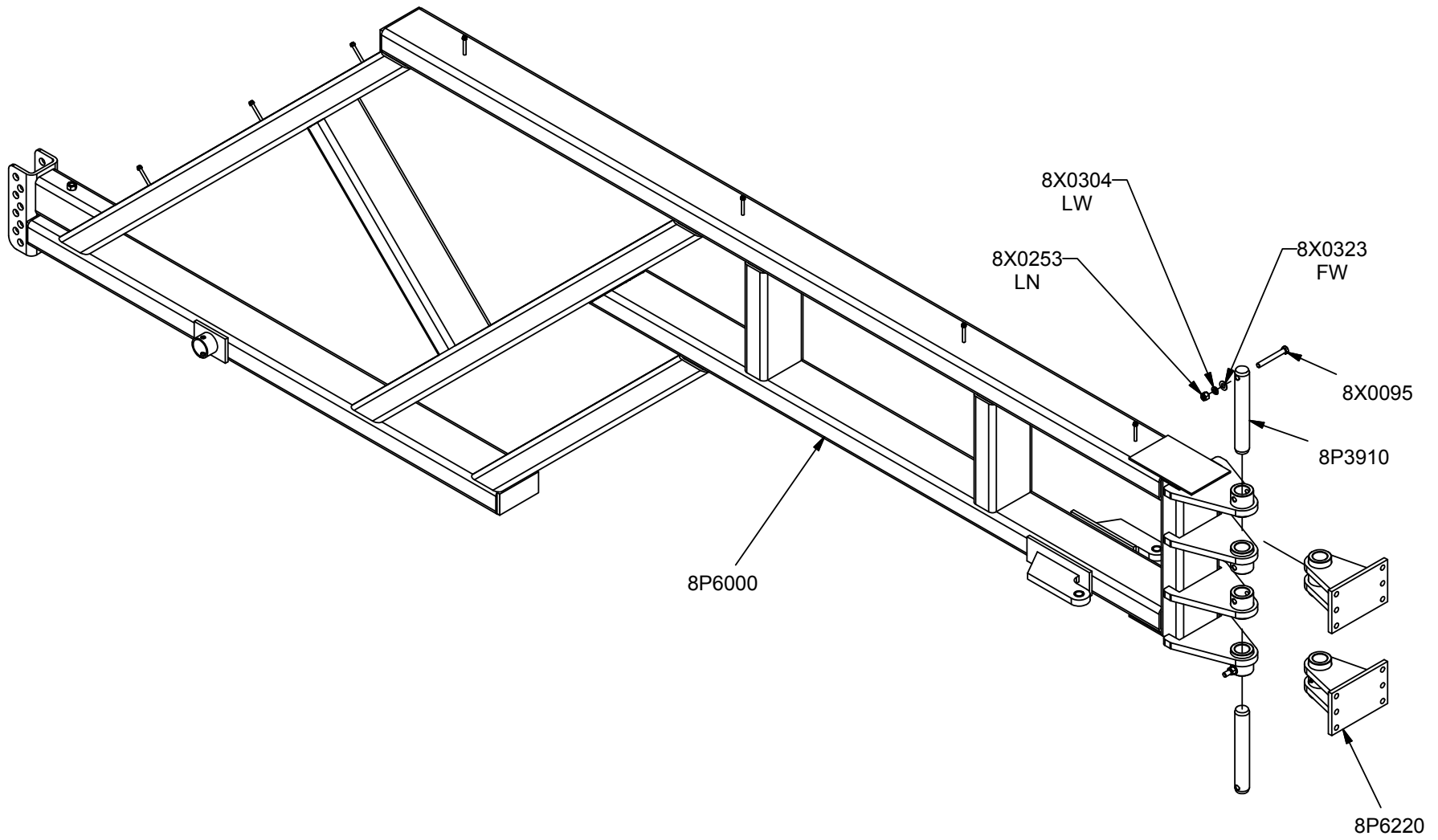
4.2

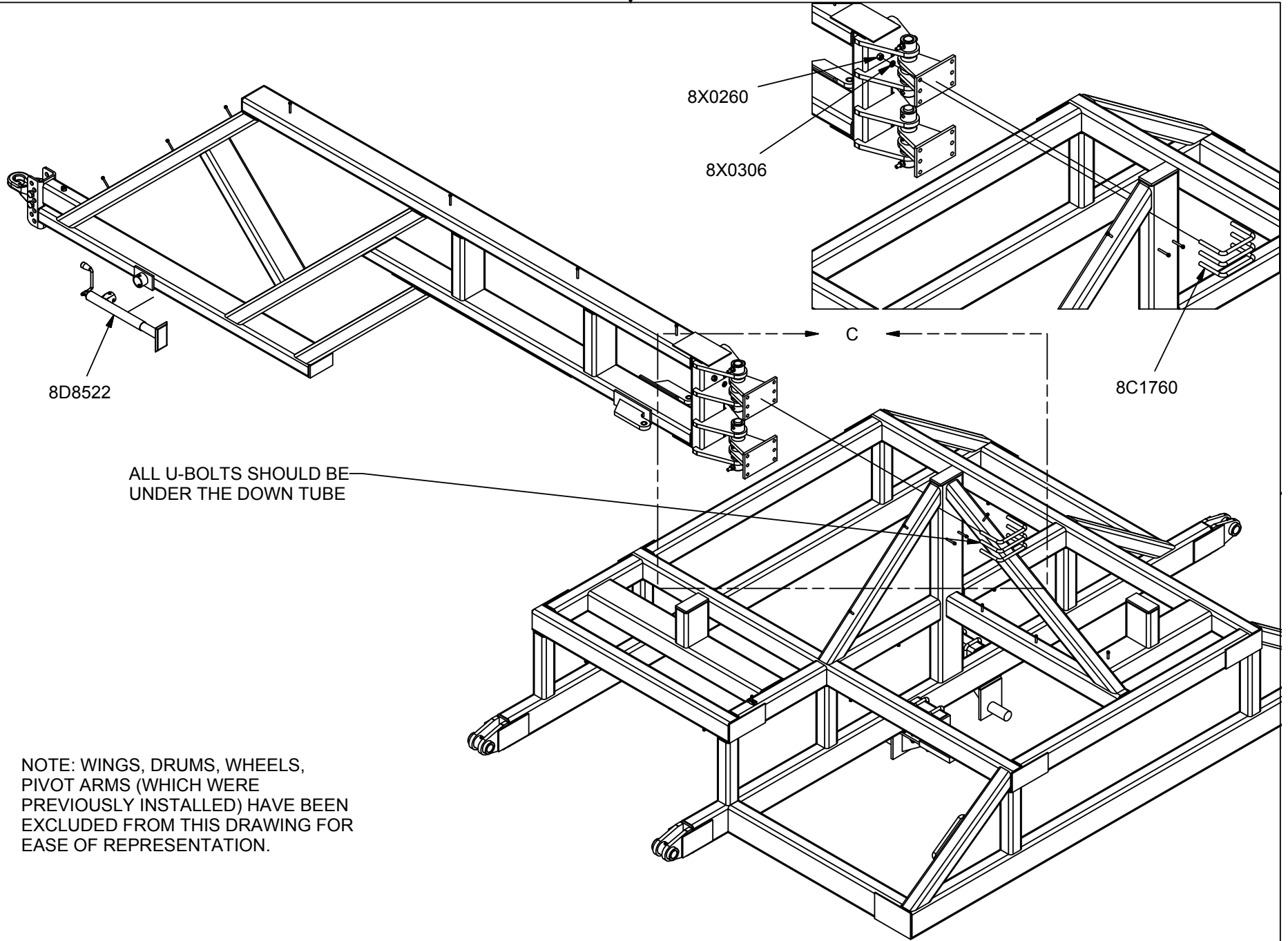


4.3



NOTE: WING AND ROLLERS (WHICH WERE PREVIOUSLY INSTALLED) HAVE BEEN EXCLUDED FROM THIS DRAWING FOR EASE OF REPRESENTATION.

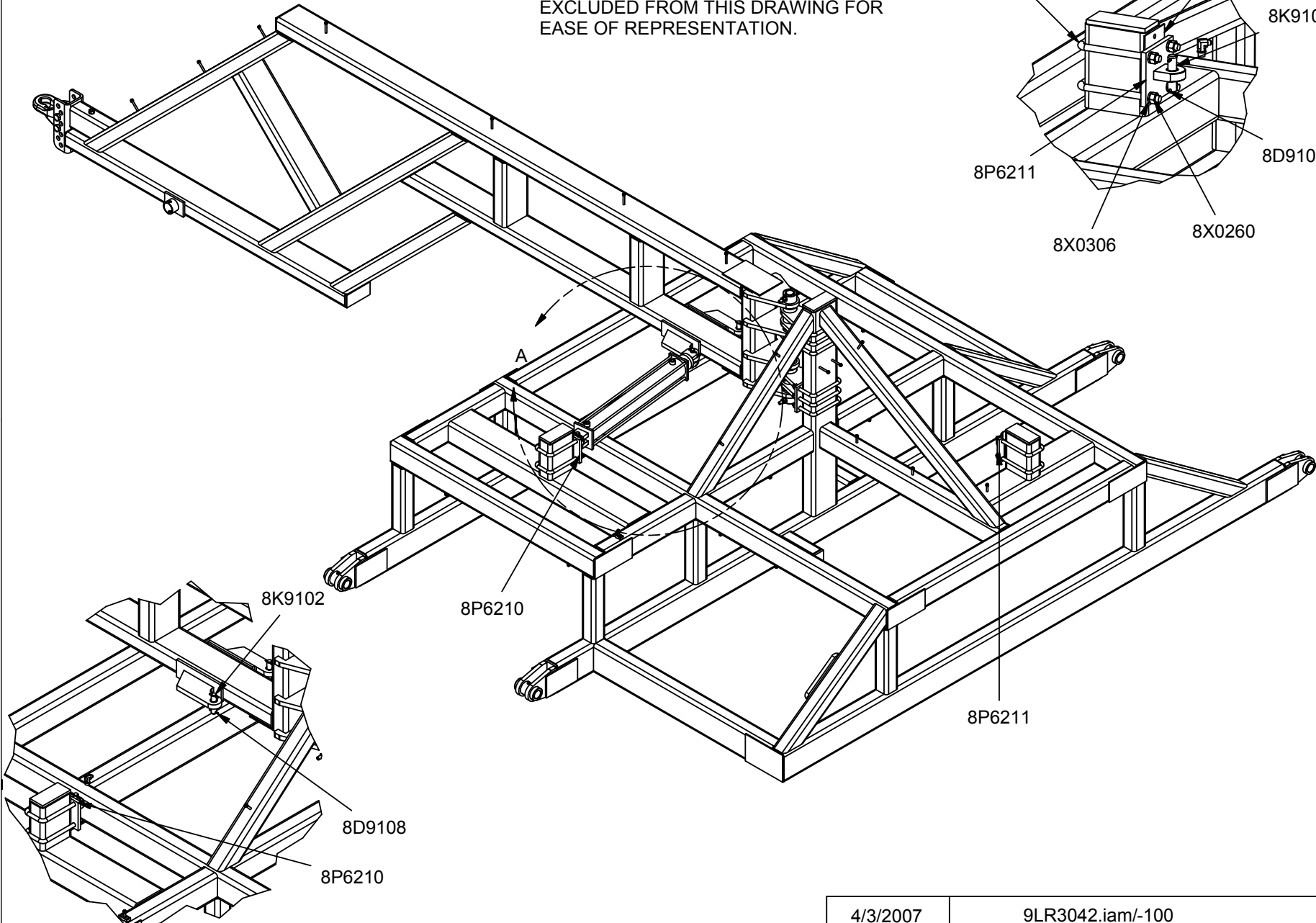




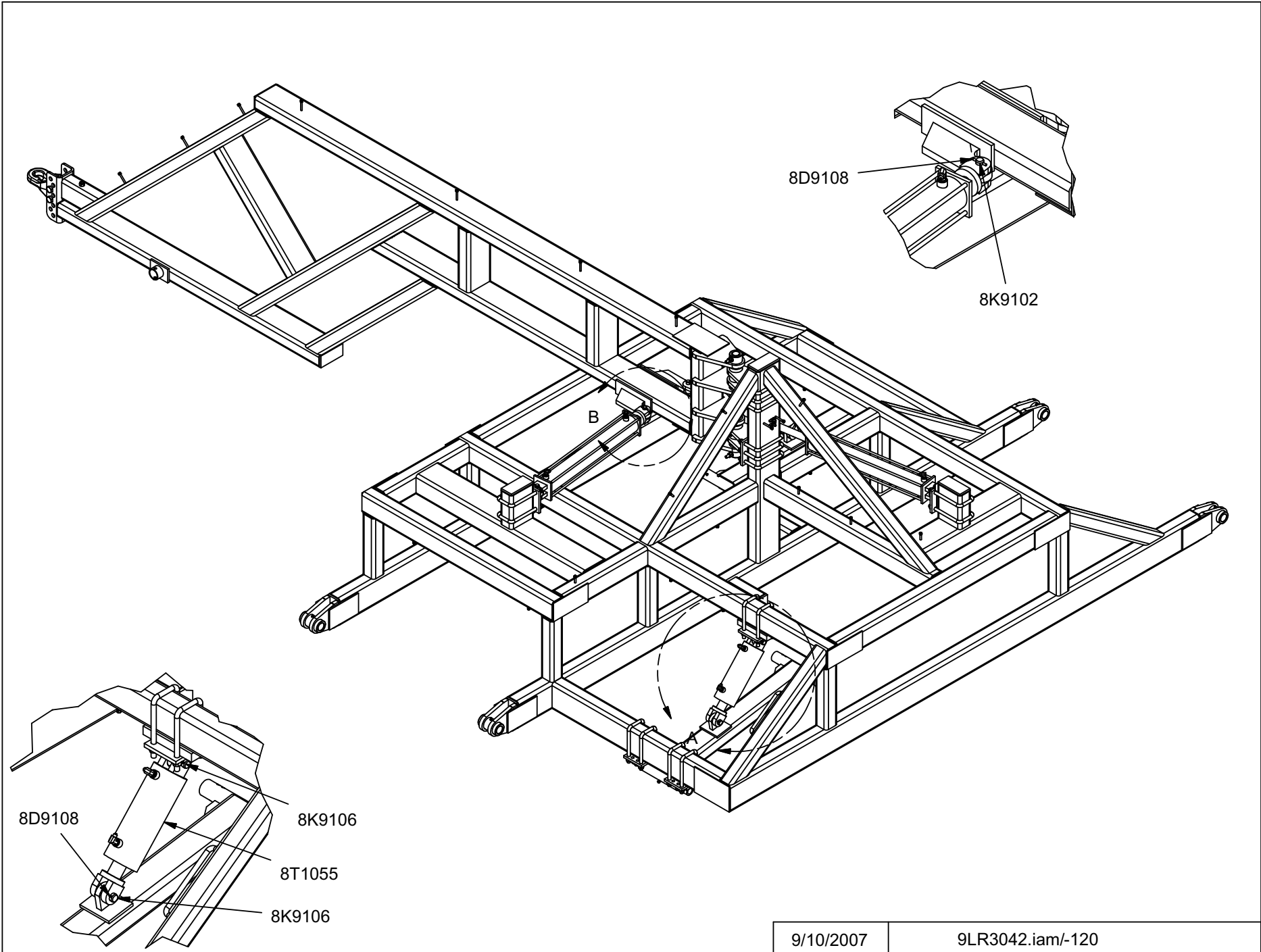
ALL U-BOLTS SHOULD BE UNDER THE DOWN TUBE

NOTE: WINGS, DRUMS, WHEELS, PIVOT ARMS (WHICH WERE PREVIOUSLY INSTALLED) HAVE BEEN EXCLUDED FROM THIS DRAWING FOR EASE OF REPRESENTATION.

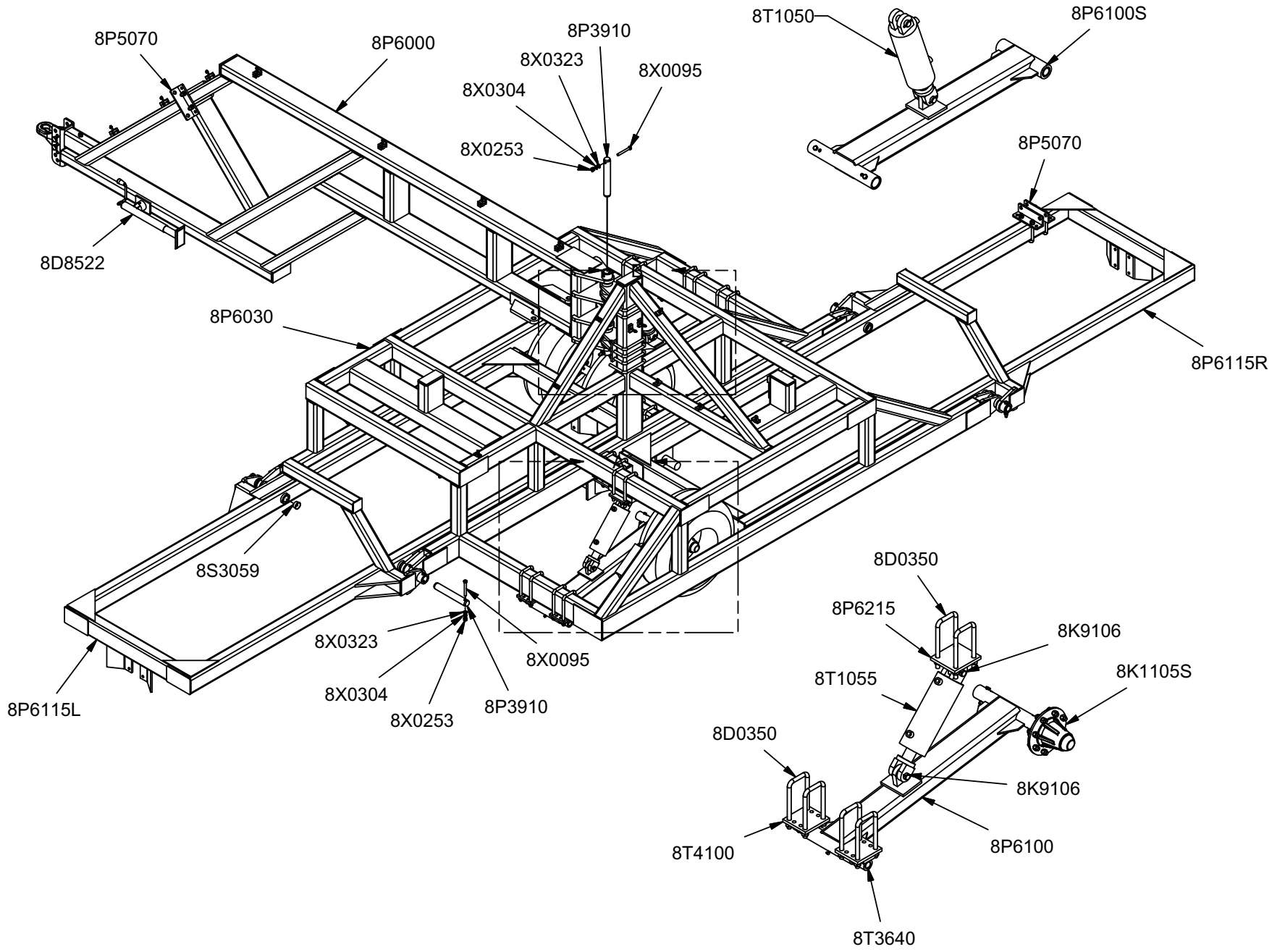
NOTE: WINGS, DRUMS, WHEELS,
PIVOT ARMS (WHICH WERE
PREVIOUSLY INSTALLED) HAVE BEEN
EXCLUDED FROM THIS DRAWING FOR
EASE OF REPRESENTATION.

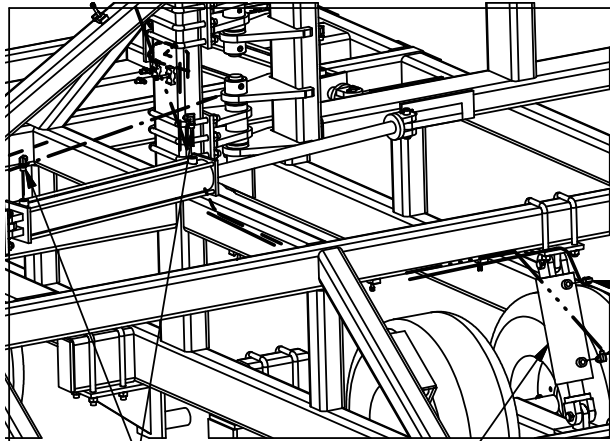


4.6



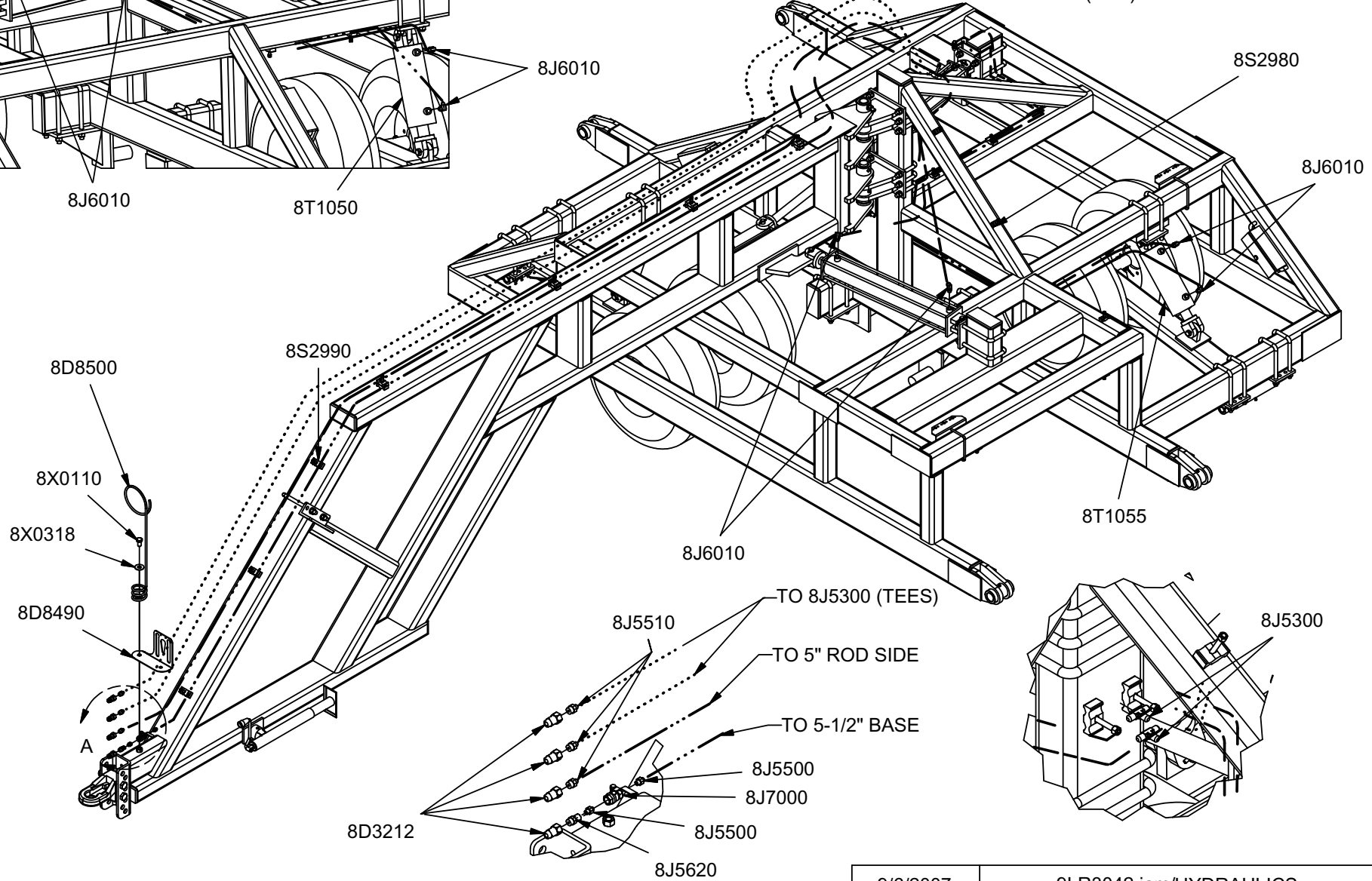
4.8



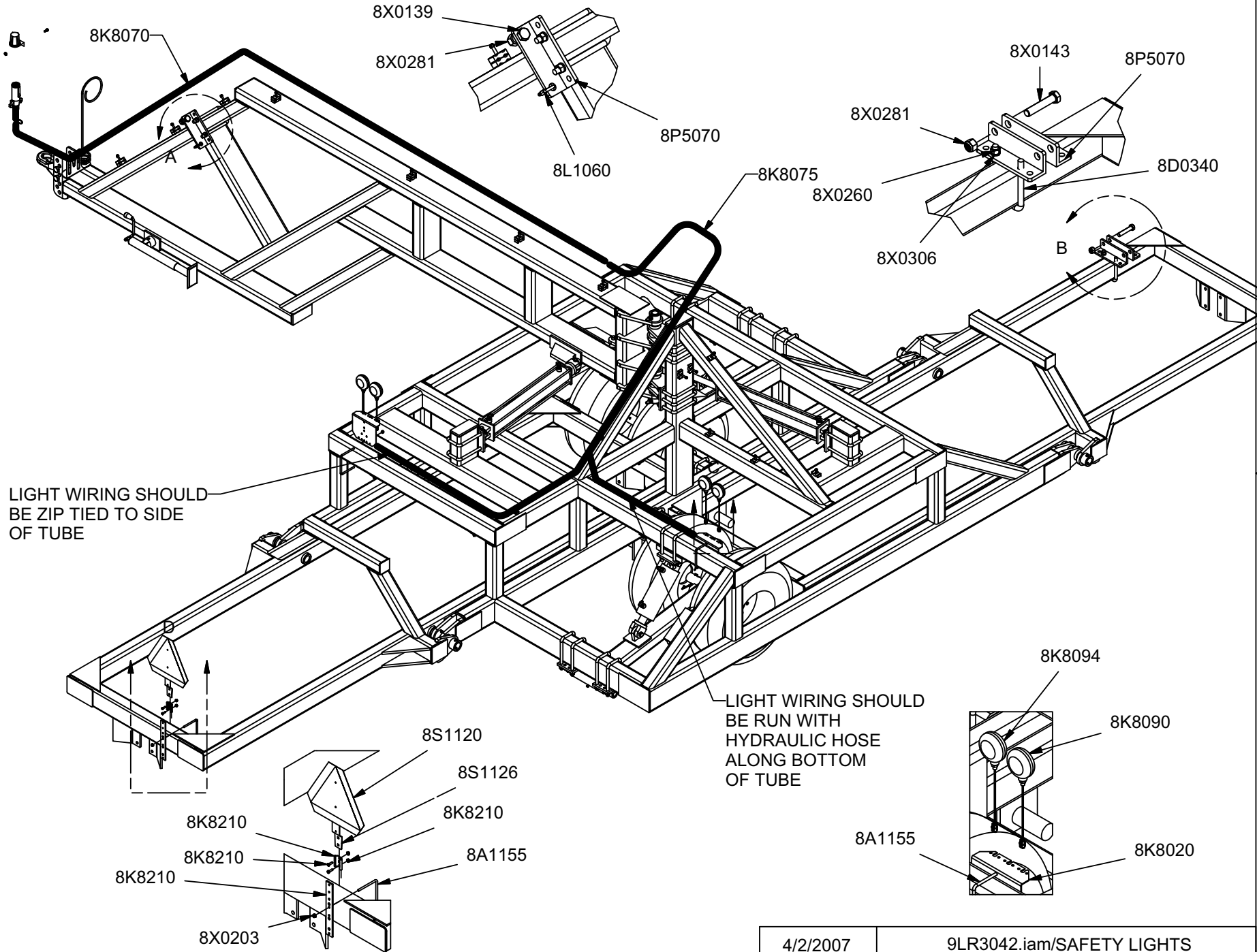


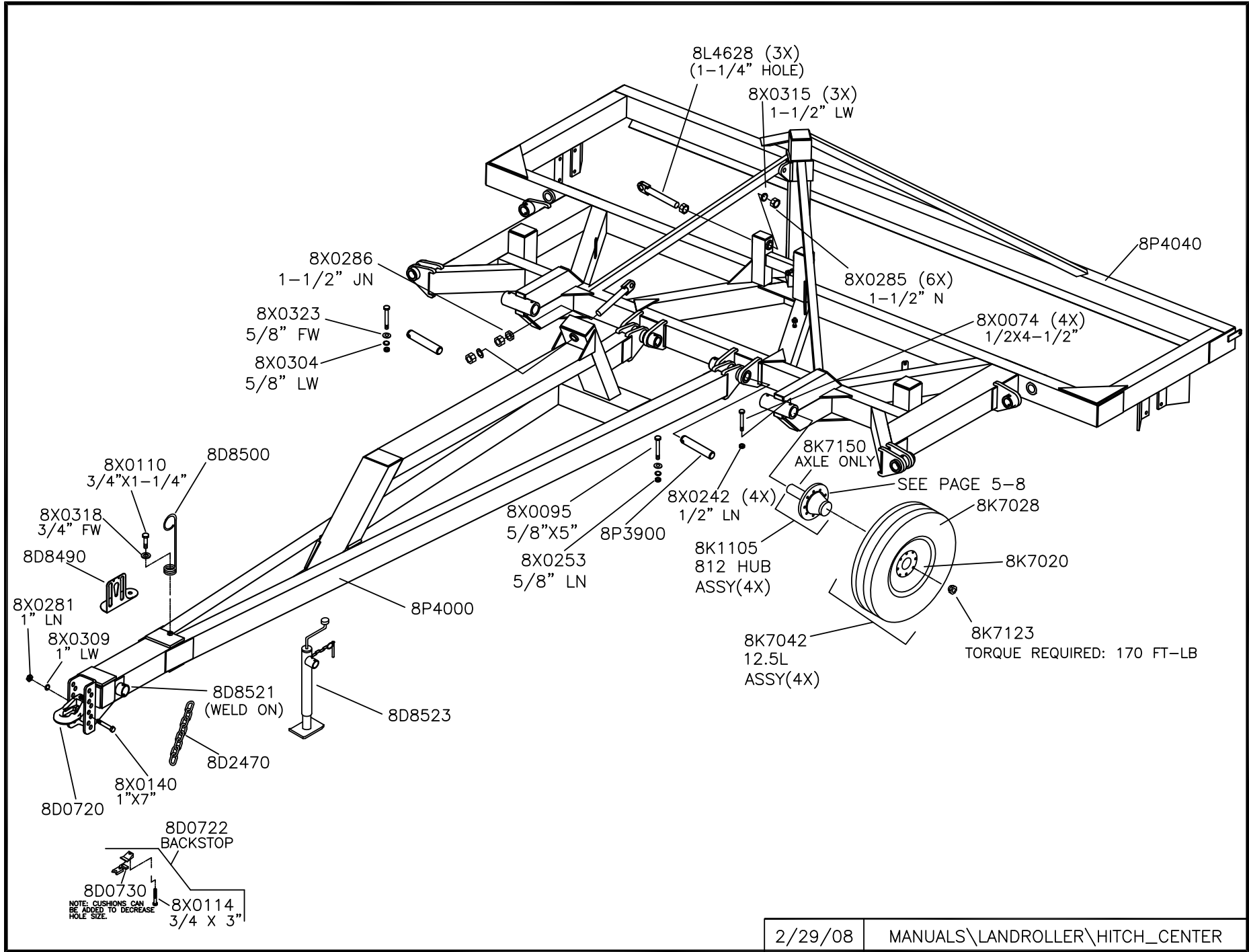
5-1/2" ROD SIDE TO 5" BASE SIDE - 8N0160 (160") =
 TRACTOR TO 8J5300 (TEES) 8N3348 (348") =
 TRACTOR TO 5-1/2" BASE & TRACTOR TO 5" ROD - 8N3432 (432") =
 TOP 8J5300 (TEE) TO ROD SIDE OF LEFT CYLINDER
 & BASE SIDE OF RIGHT CYLINDER - 8N3048 (48") = - - - - -
 BOTTOM 8J5300 (TEE) TO BASE SIDE LEFT CYLINDER - 8N3060 (60") = - - - - -
 TO ROD SIDE OF RIGHT CYLINDER - 8N3124 (124") = - - - - -

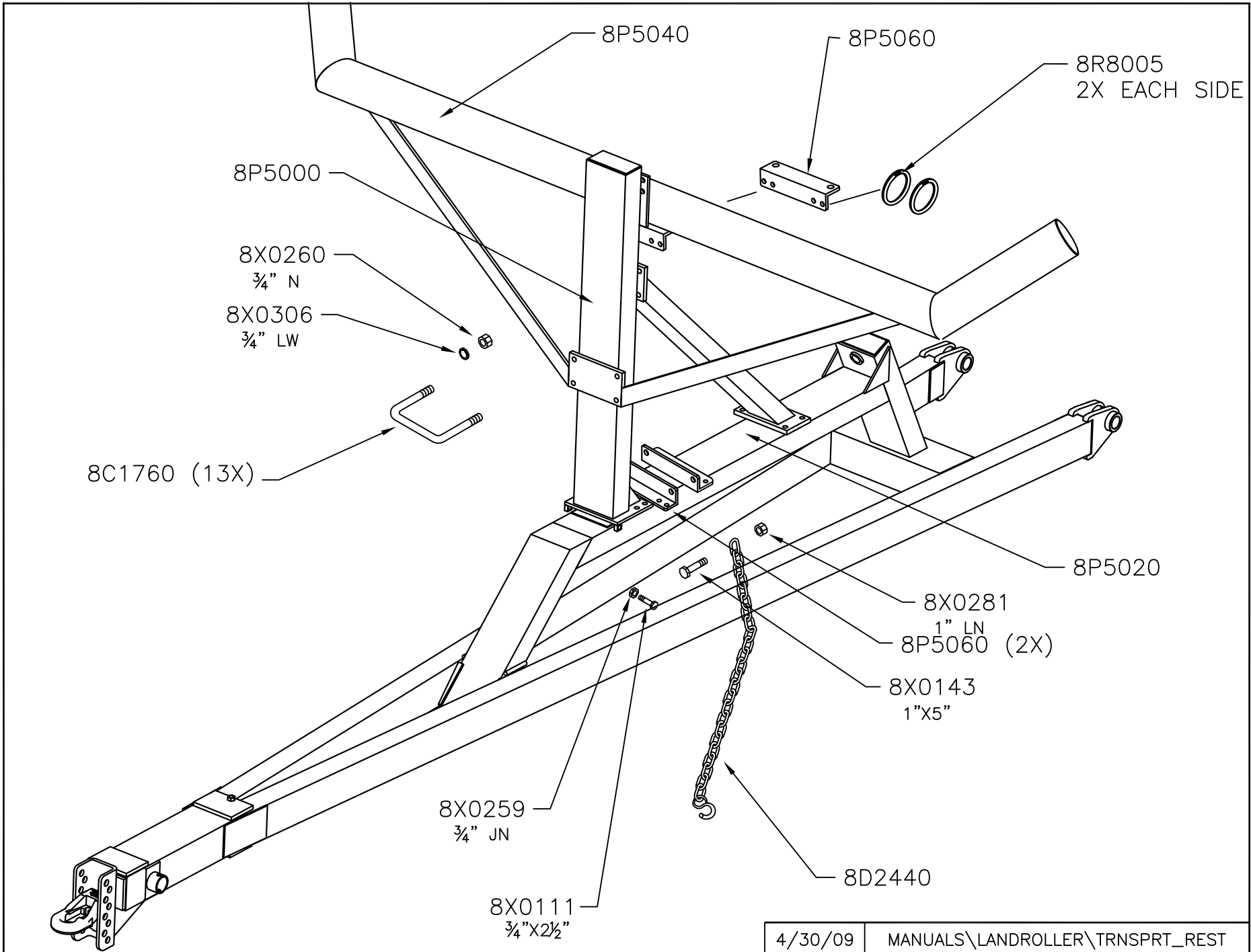
4.9

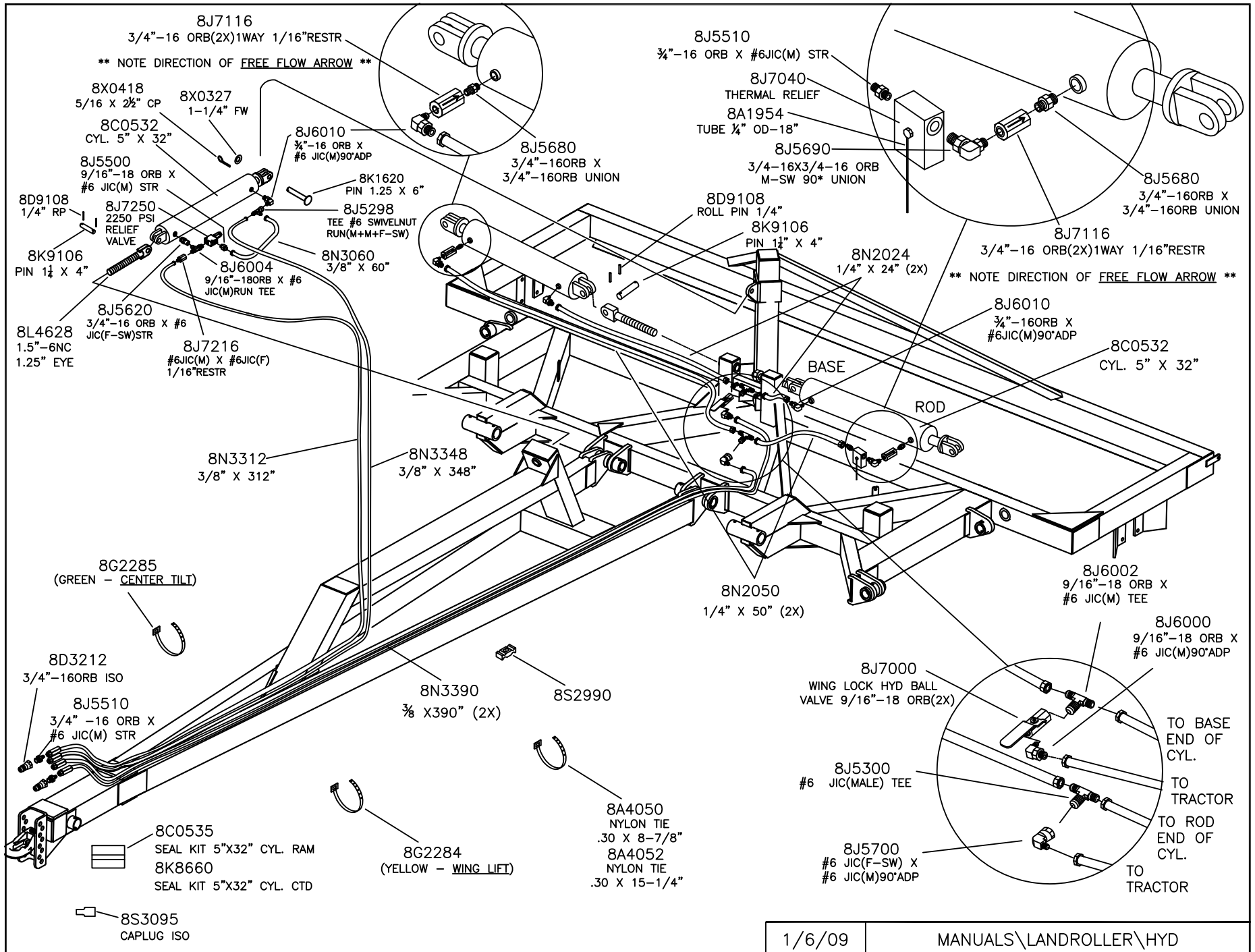


4.10

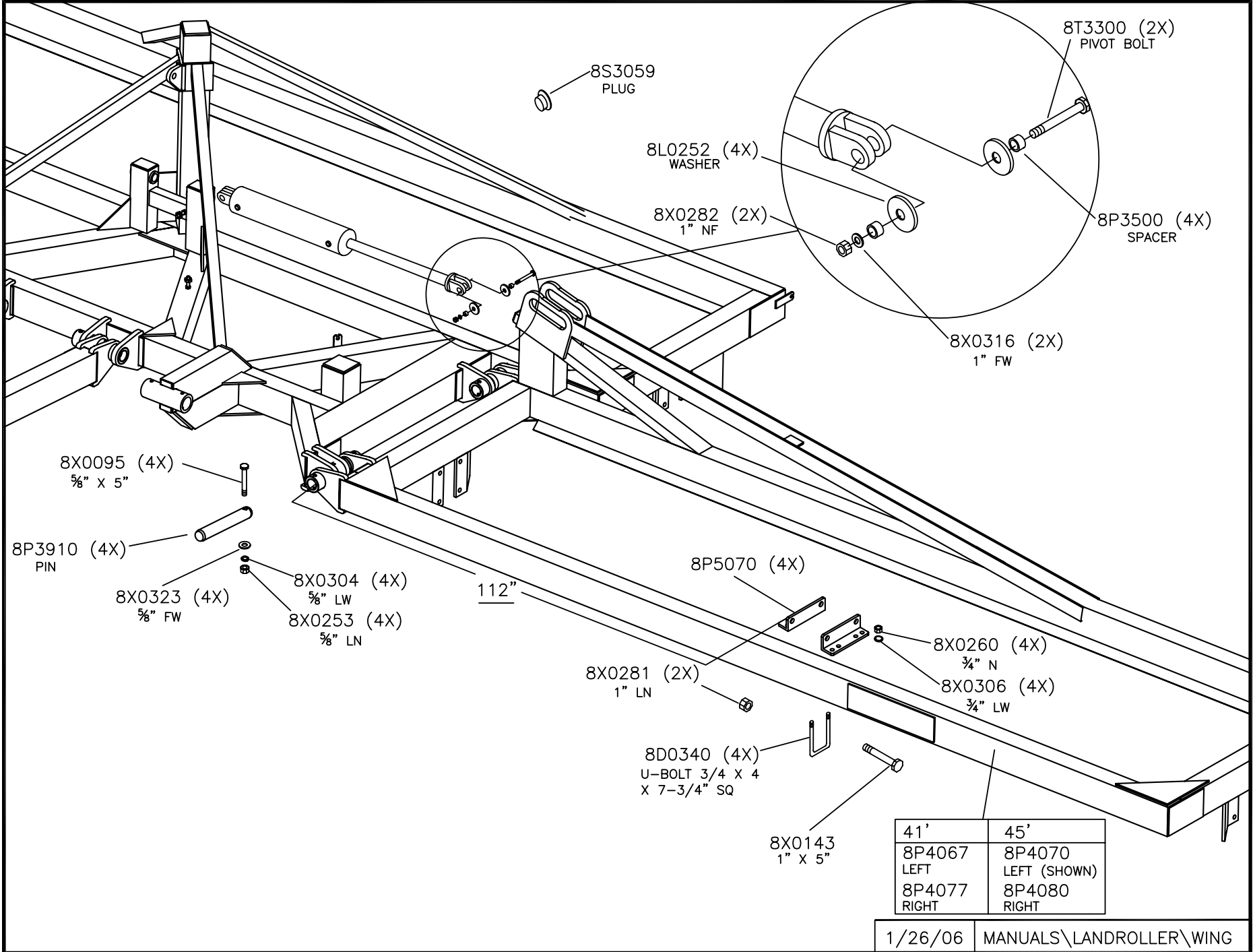




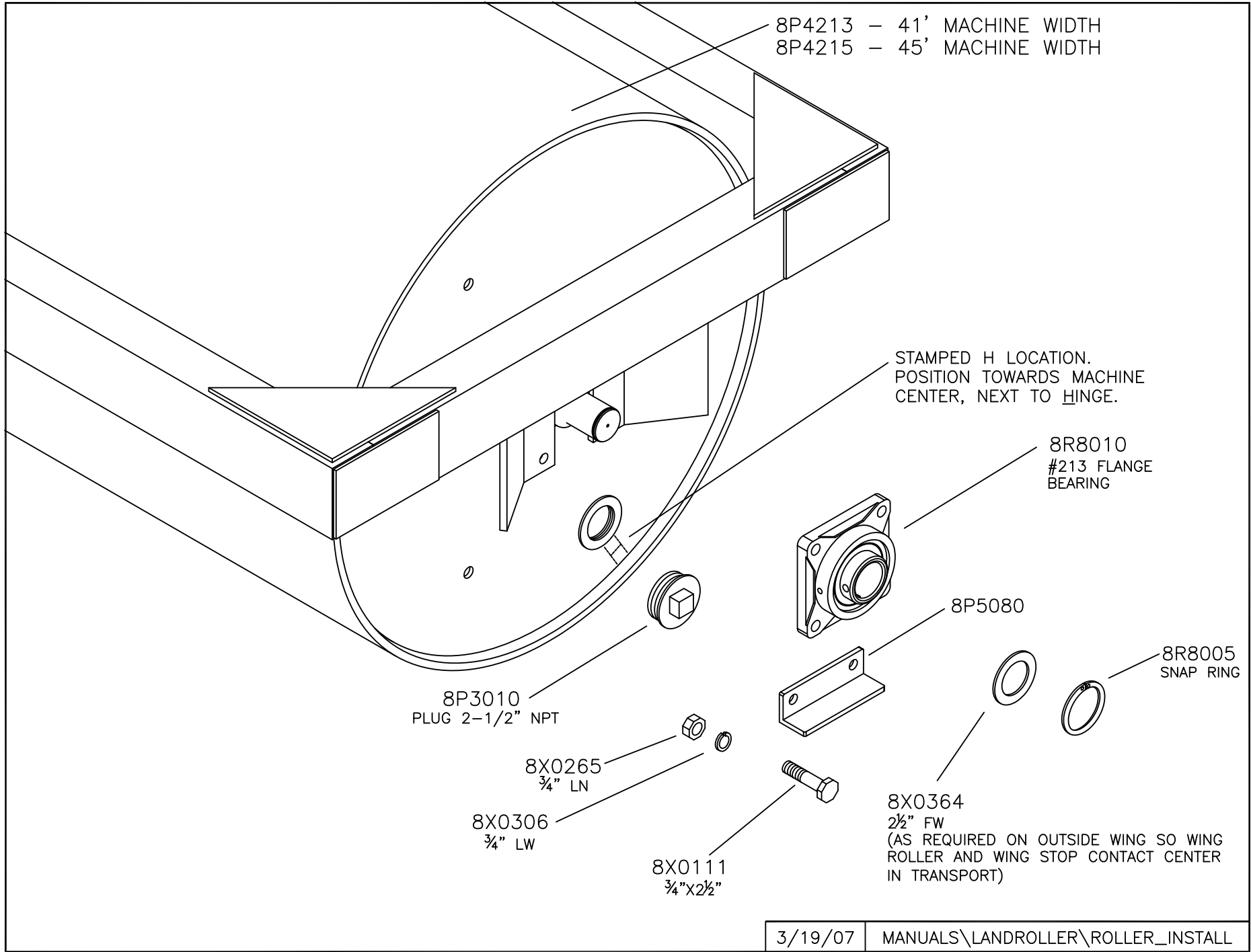


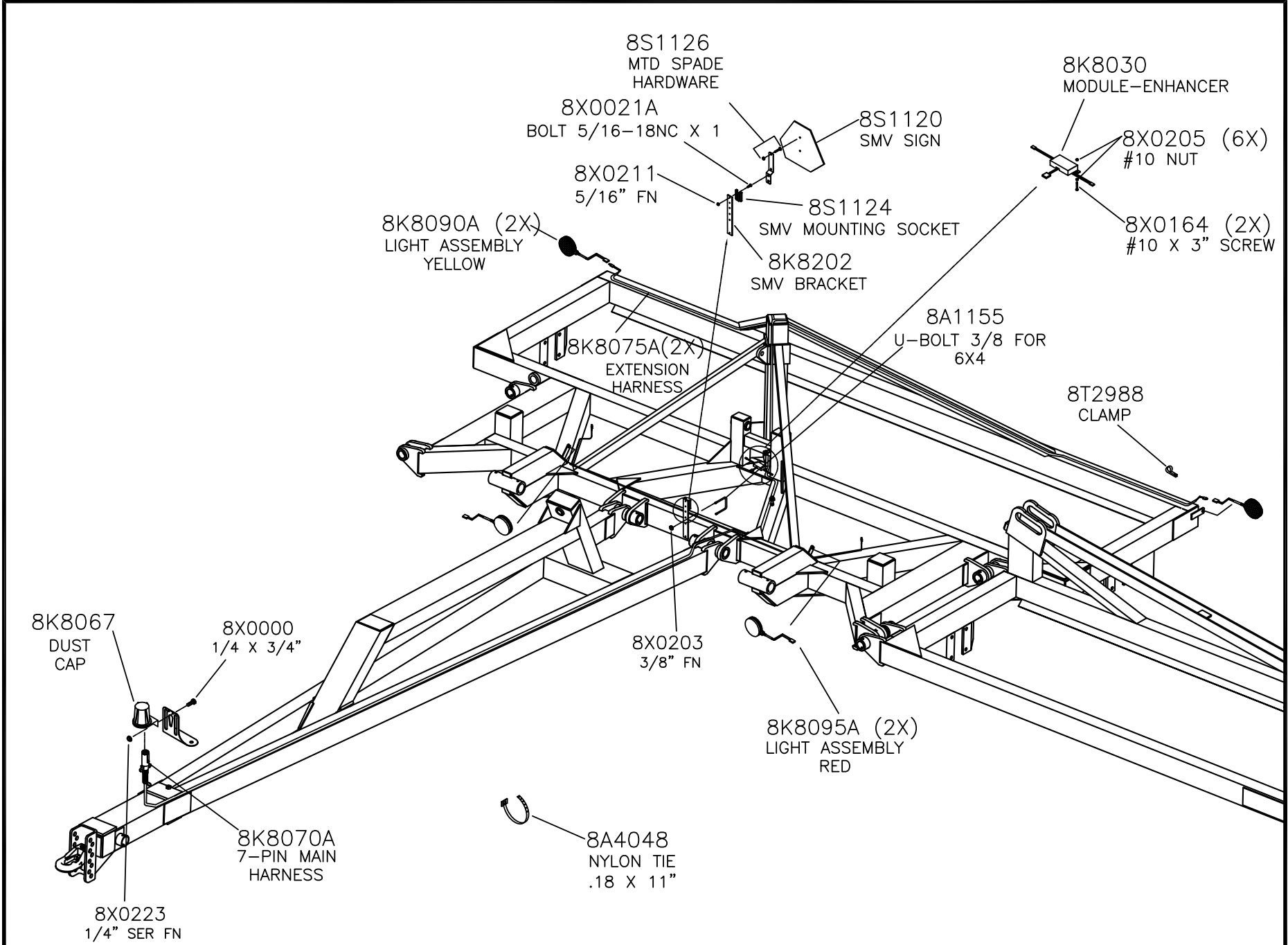


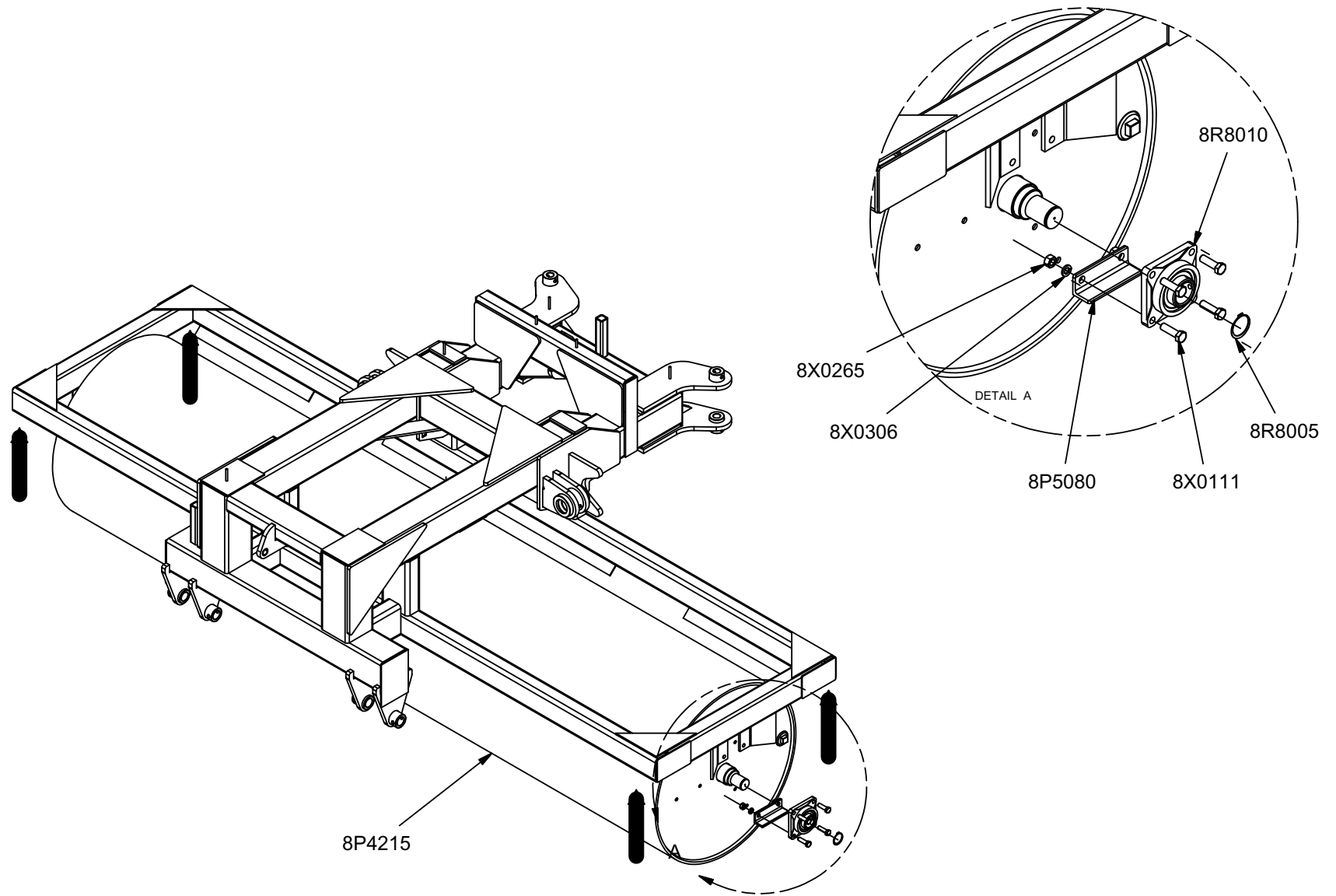
4.14



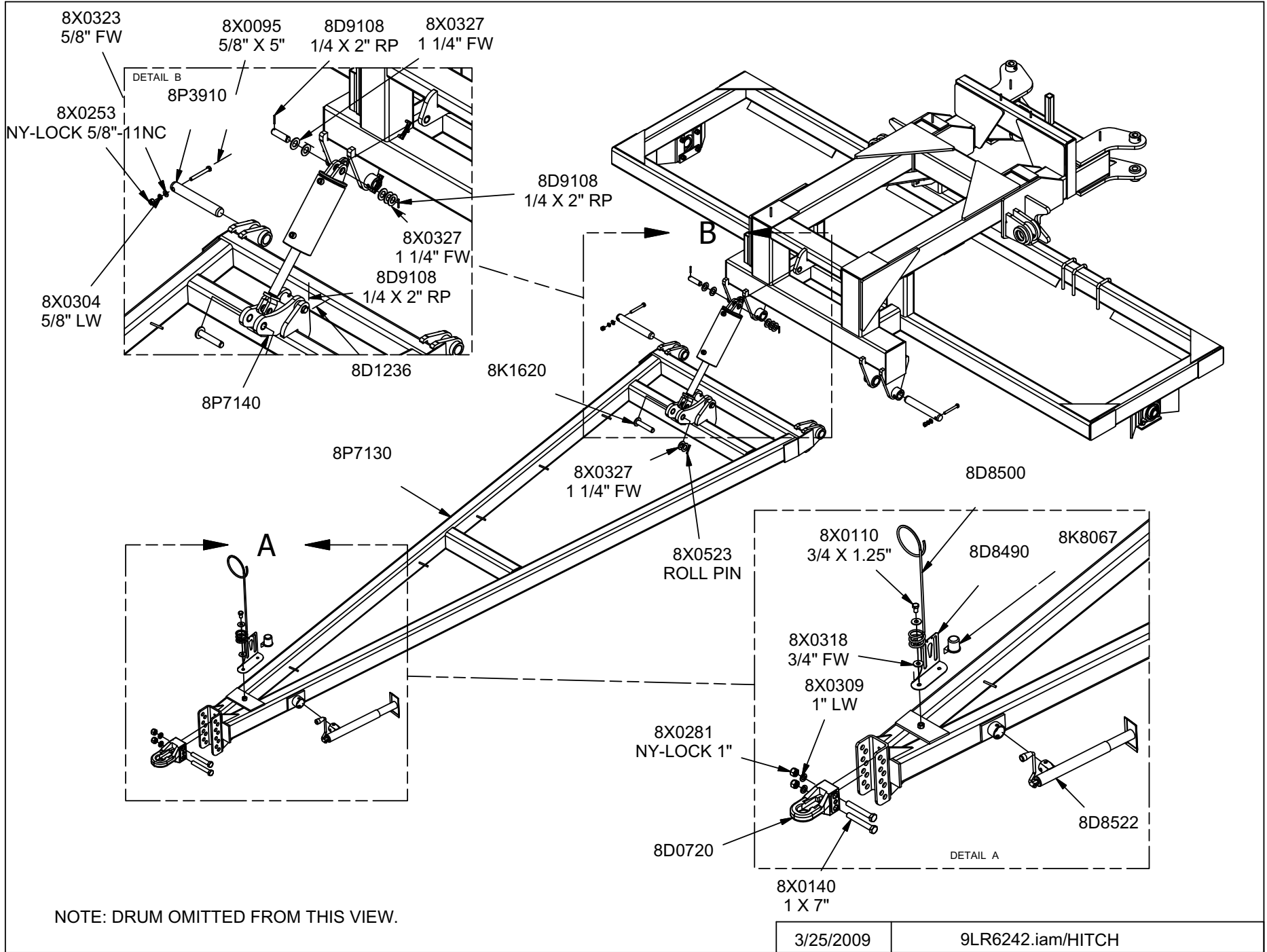
4.15





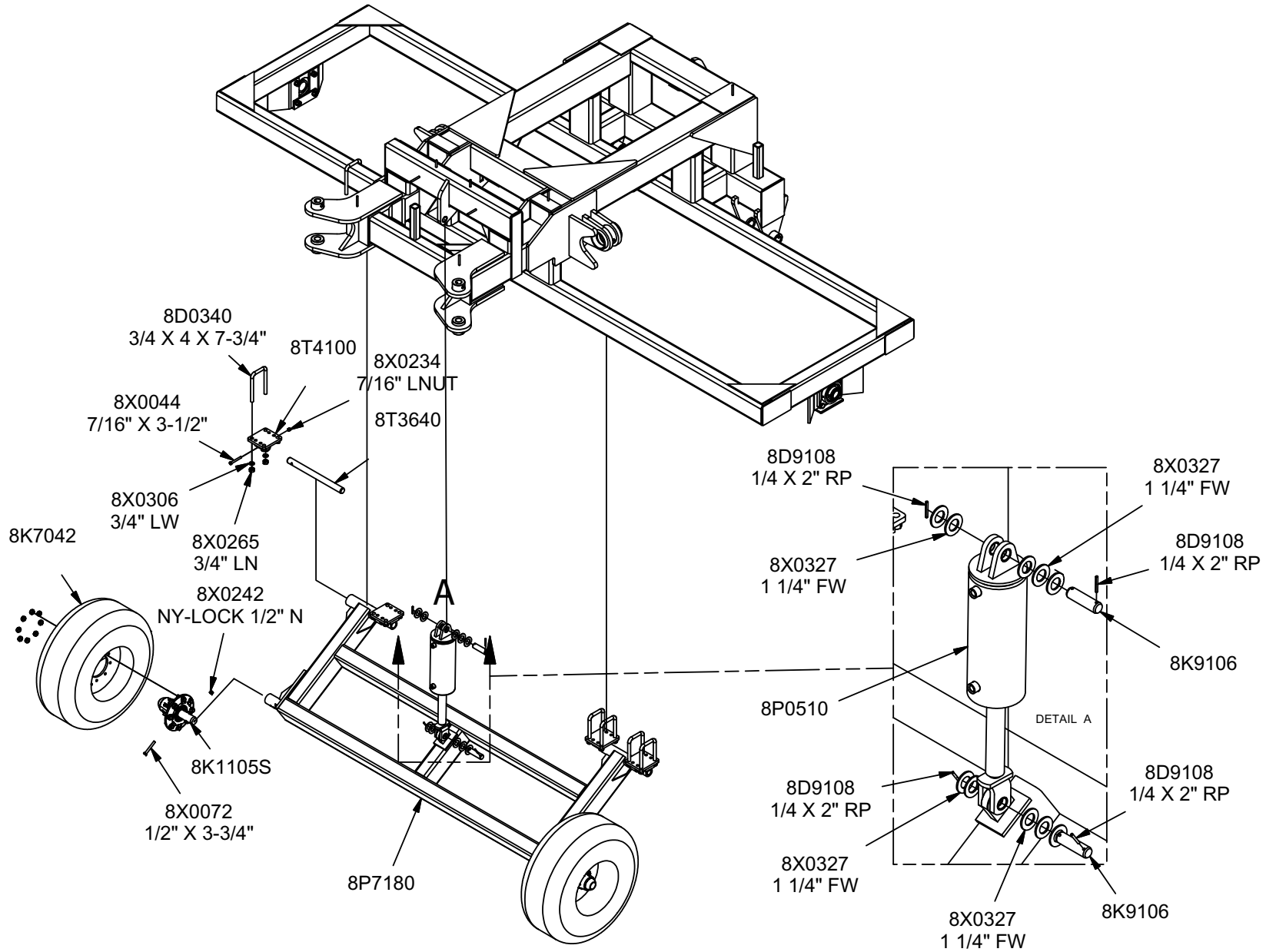


AFTER DRUM IS INSTALLED
PLACE STANDS AT THE 4
LOCATIONS SHOWN TO
STABILIZE FRAME.



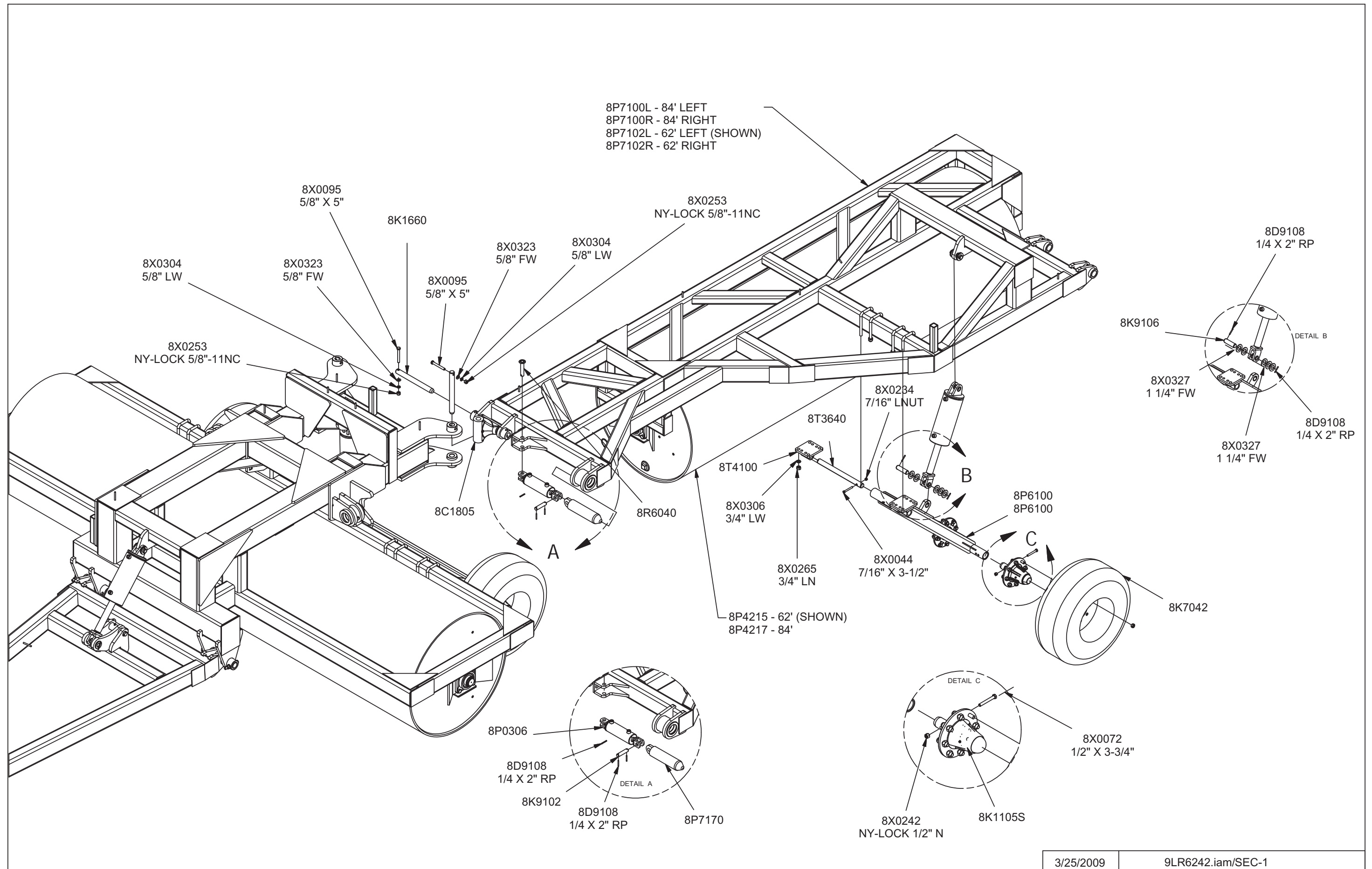
HITCH AND DRUM OMITTED FOR CLEARER VIEW

4.19



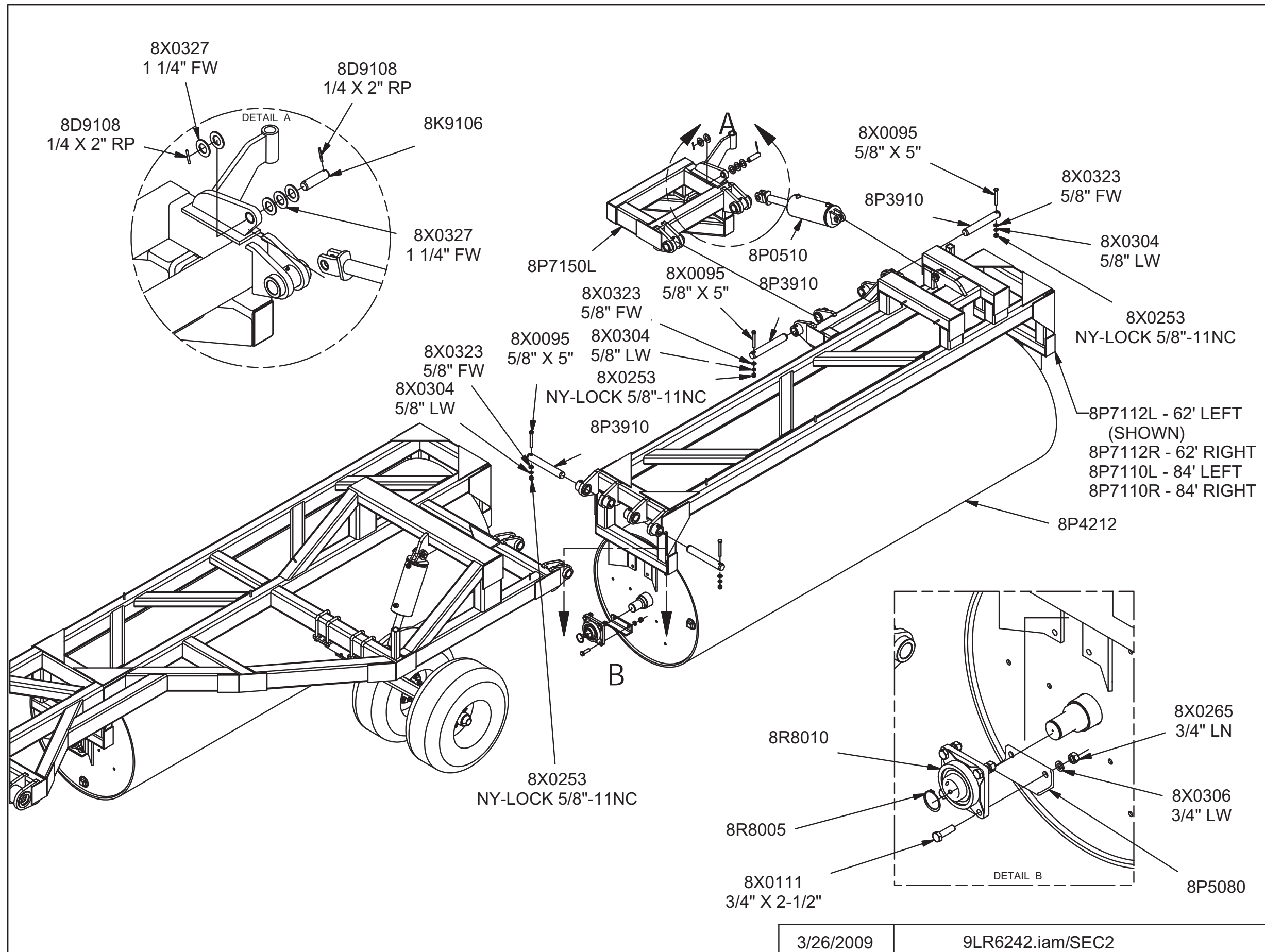
3/25/2009

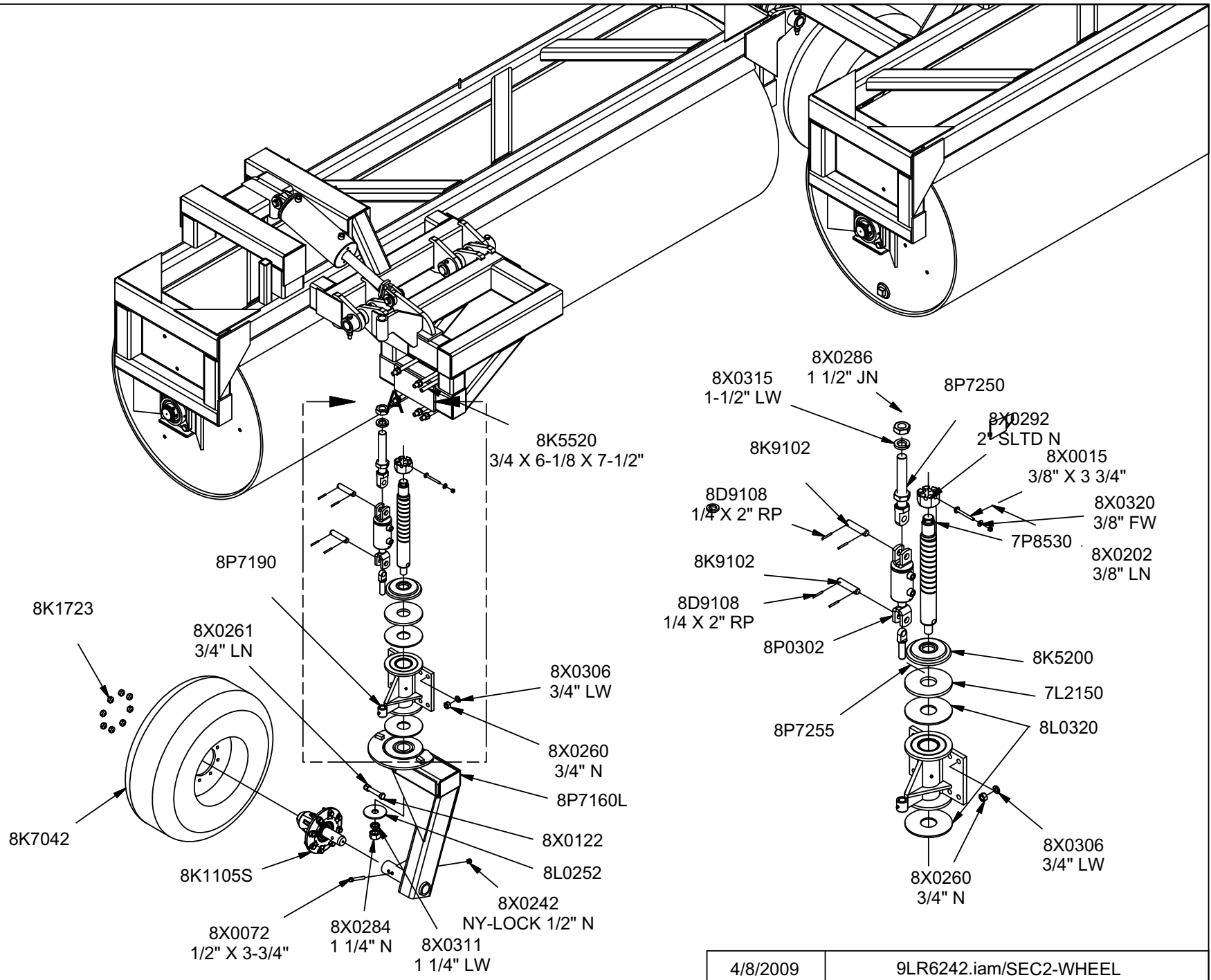
9LR6242.iam/CNTR_TRNSPRT



3/25/2009

9LR6242.iam/SEC-1





SUMMERS MFG. CO., INC.

12/27/06

INSTALLATION AND OPERATION INSTRUCTIONS FOR 8K1800 ACRE METER FOR SUPERROLLER

1. Weld $\frac{1}{2}$ "-20 UNF nut at center of left pivot shaft of middle roller. Position external taper of nut toward shaft. Insure that threads are not damaged by weld heat or spatter.



2. Allow weld to cool. Attach Acre Meter to welded nut with $\frac{1}{2}$ " lock washer. Tighten to 260-390 in-lbs.

* For accurate logging of acres, it is important that meter is mounted concentrically on roller shaft.

* Do not use chemical agents such as thinner, solvents or mineral spirits to clean Acre Meter cover.

* Do not attempt to open meter! Attempting to do so can cause injury and may destroy Acre Meter.

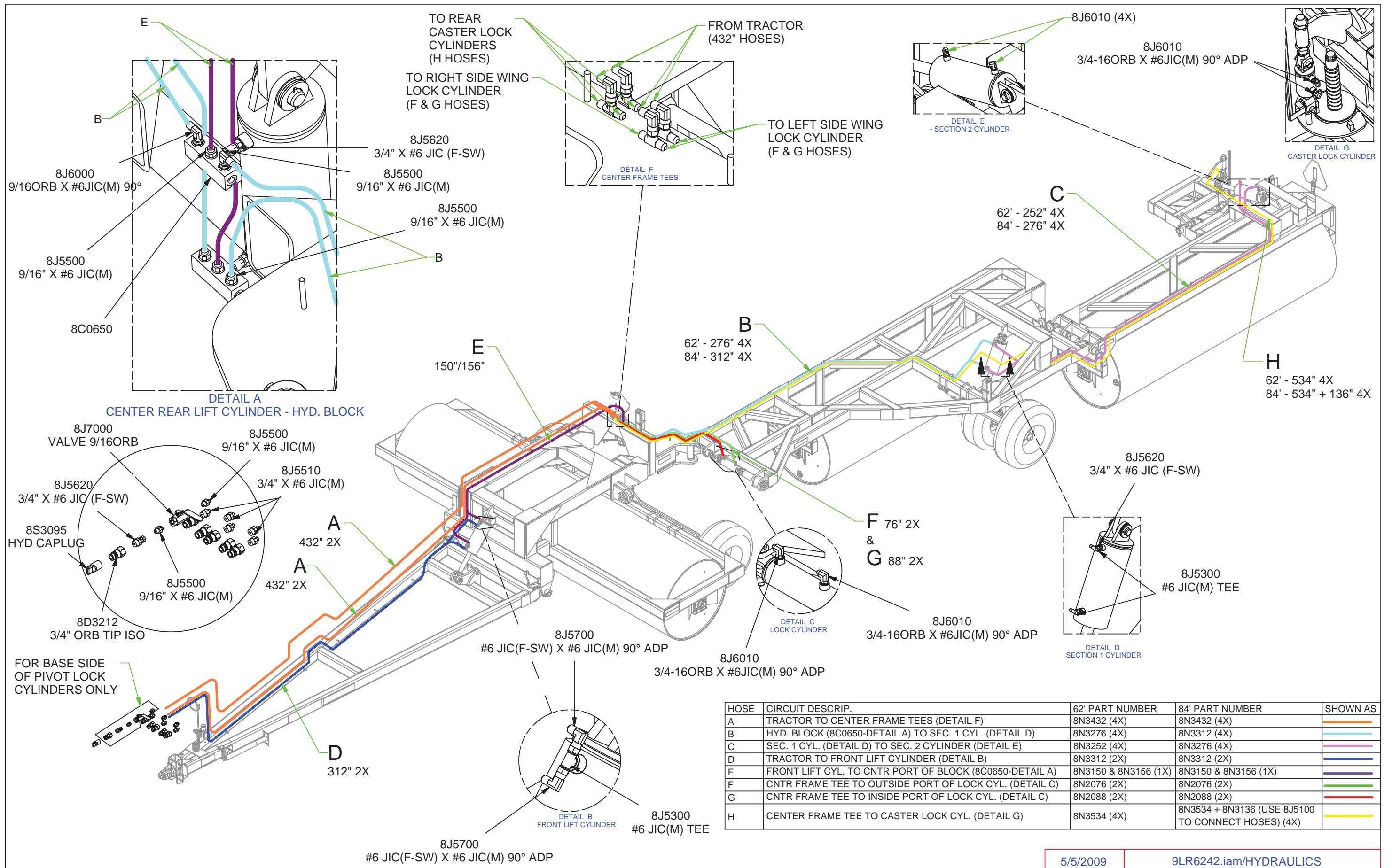


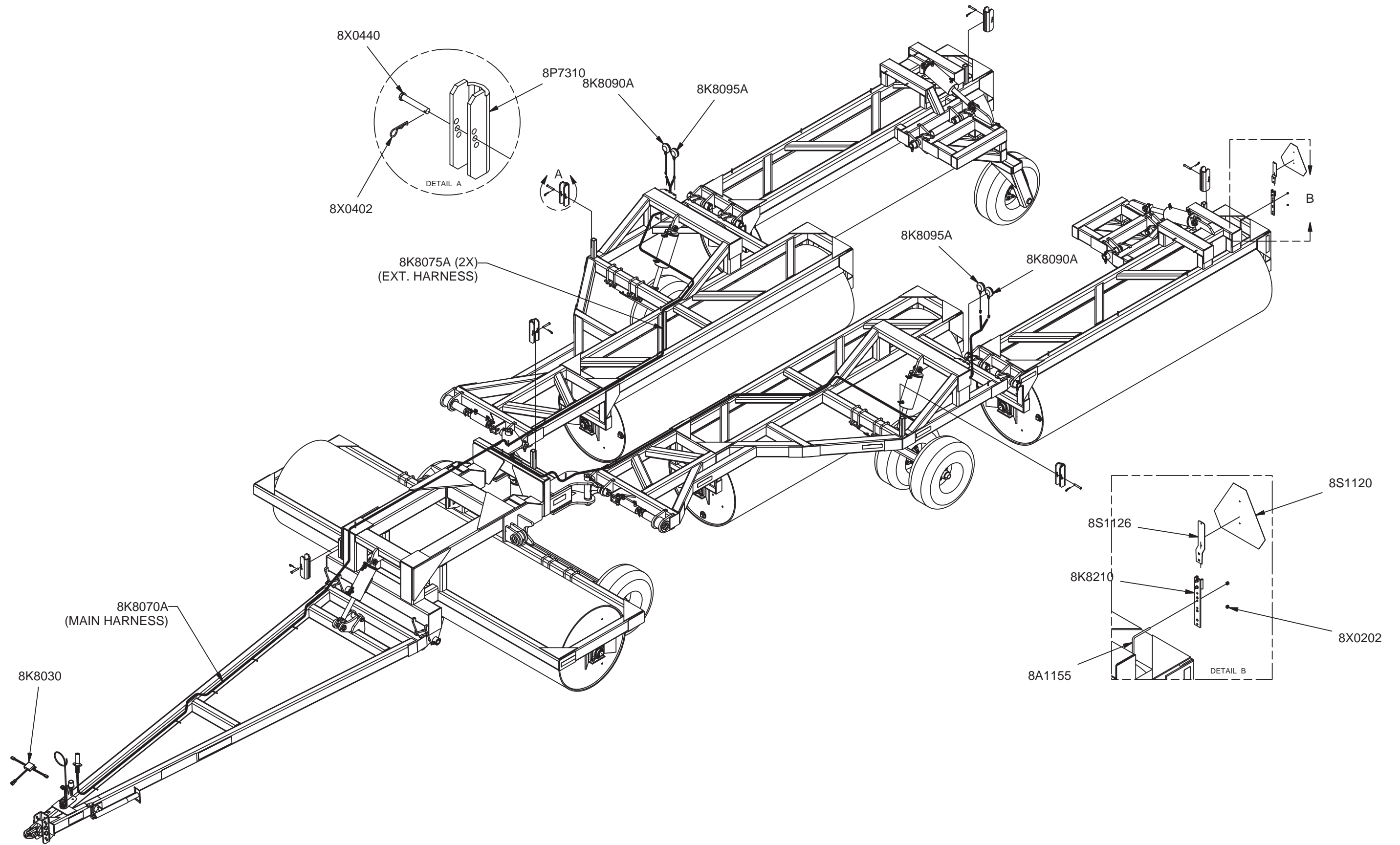
CONVERSION FACTOR

NOTE: METER READING MUST BE MULTIPLIED BY CONVERSION FACTOR FOR ACTUAL ACRES.

MACHINE WIDTH	FORMULA
30'	READING x 2.7 = ACRES
41'	READING x 3.6 = ACRES
45'	READING x 4 = ACRES
62'	READING x 5.5 = ACRES
84'	READING x 7.5 = ACRES





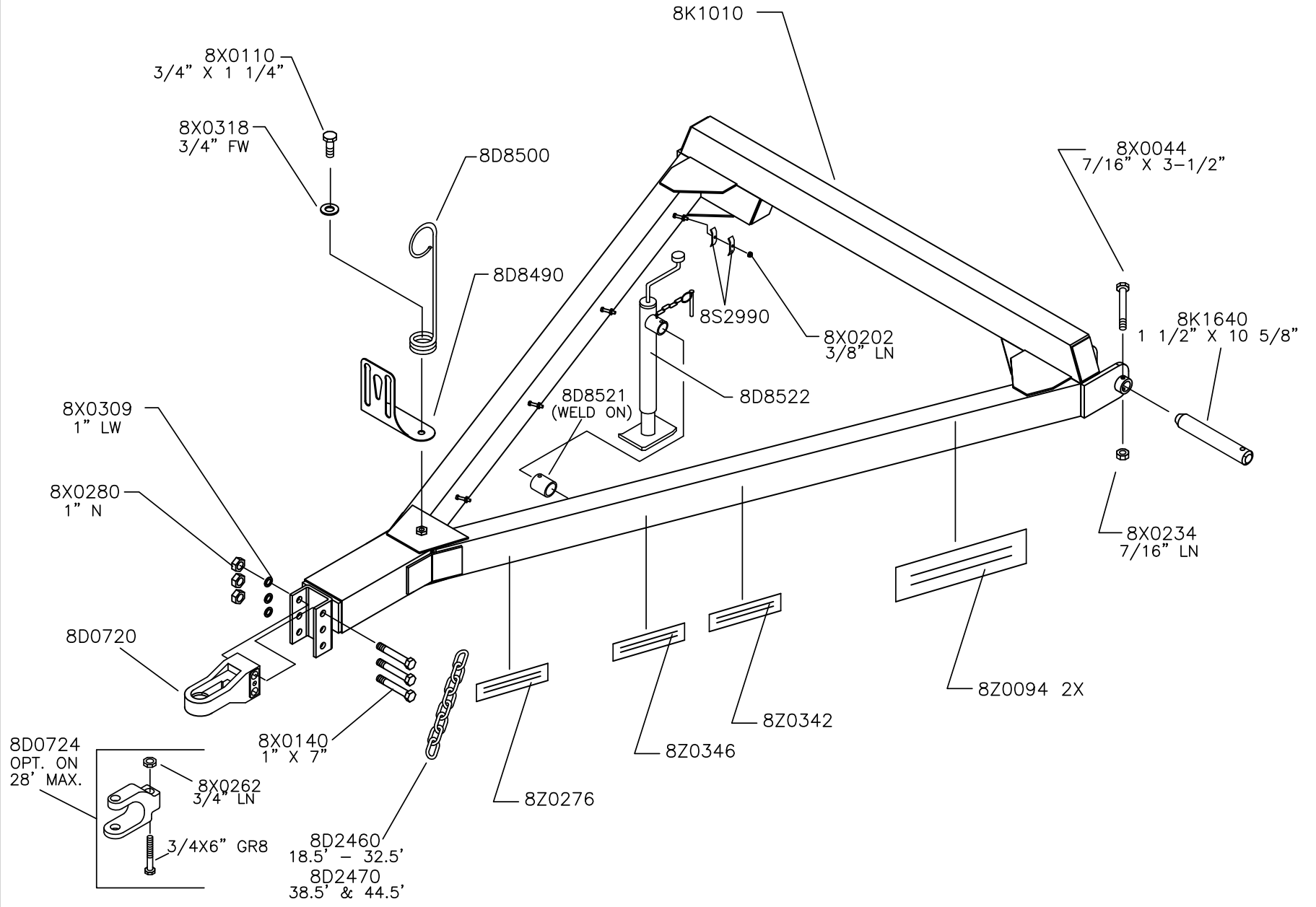


DIAMOND DISK - SERIES 10

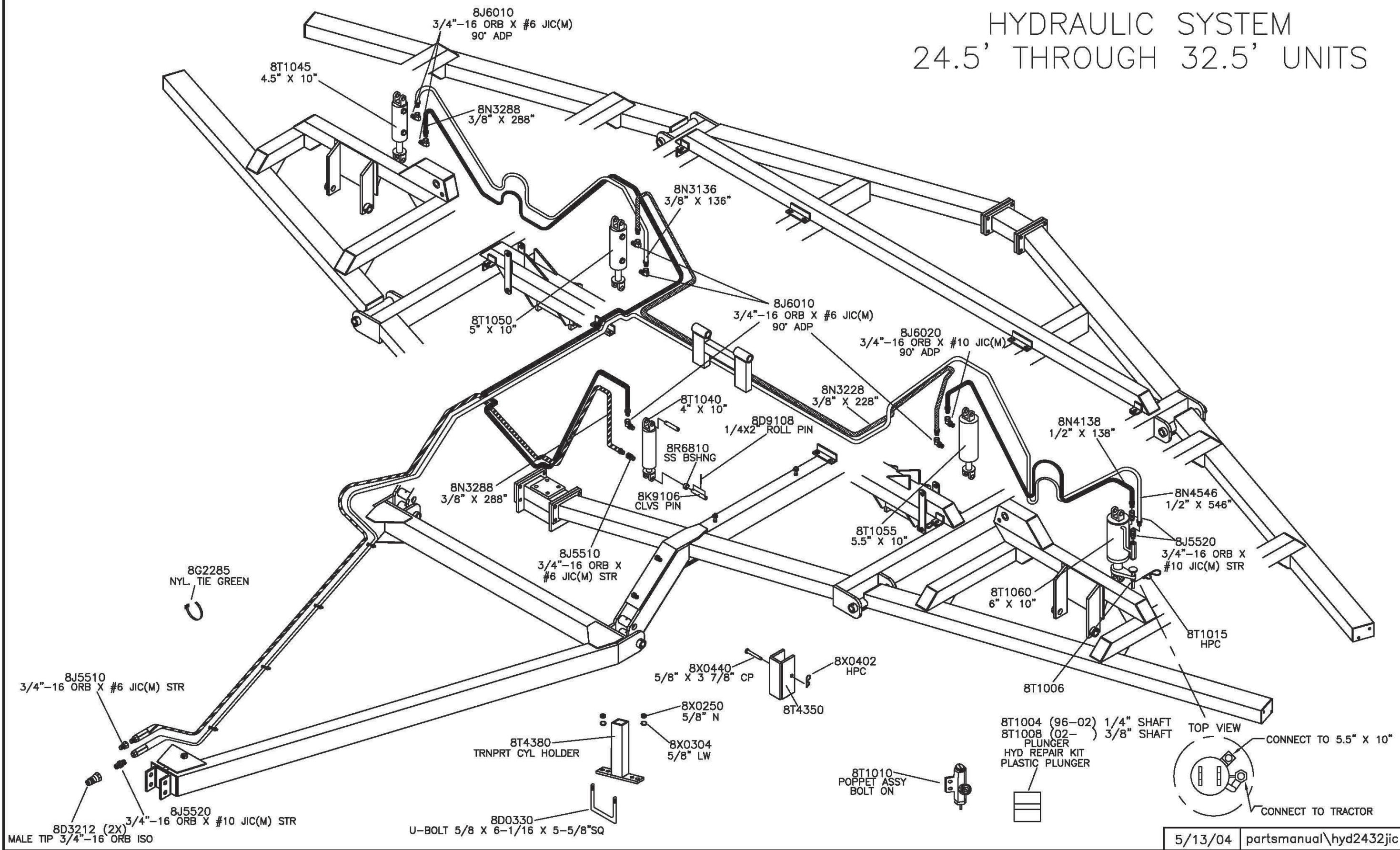
Disk Hitch, All	5.1
Main Frame 18-1/2' - 32-1/2'	5.2
Hydraulic 24-1/2' - 32-1/2'	5.3
Hydraulic 18-1/2' - 21-1/2'	5.4
Hydraulic Wing Lift 24-1/2' - 32-1/2'	5.5
Main Frame 38-1/2' & 44-1/2'	5.6
Hydraulic 38-1/2' & 44-1/2'	5.7
Hydraulic Wing Lift 38-1/2' & 44-1/2'	5.8
Light Mounting Kit	5.9
Gang Assemblies	5.10
Gang & Scraper Tube Layout	5.11 - 5.14
Coulter Option, All	5.15
Wing Weight Package, All	5.16

HITCH

5.1



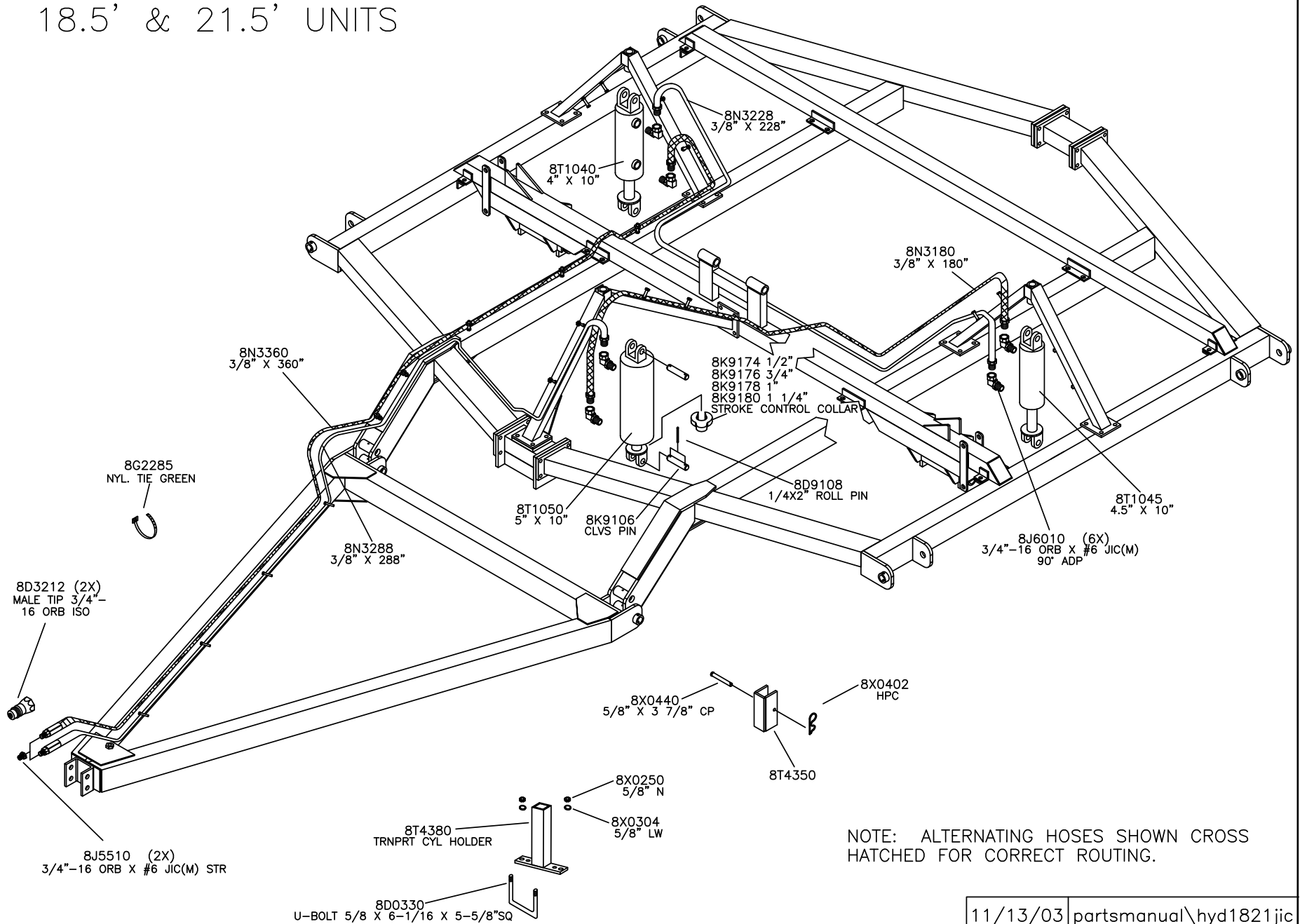
HYDRAULIC SYSTEM 24.5' THROUGH 32.5' UNITS



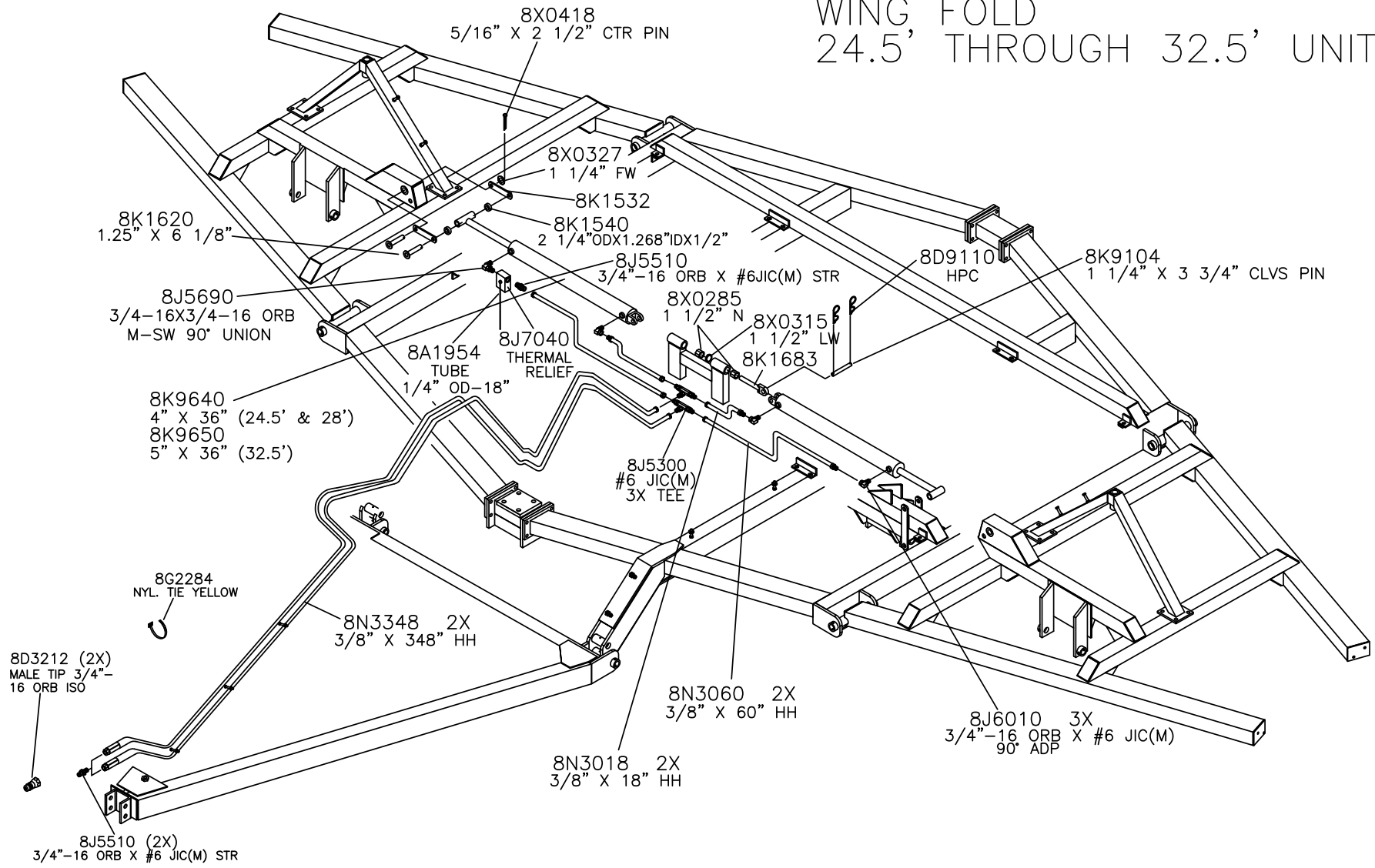
5/13/04 partsmanual\hyd2432jic

HYDRAULIC SYSTEM 18.5' & 21.5' UNITS

5.4

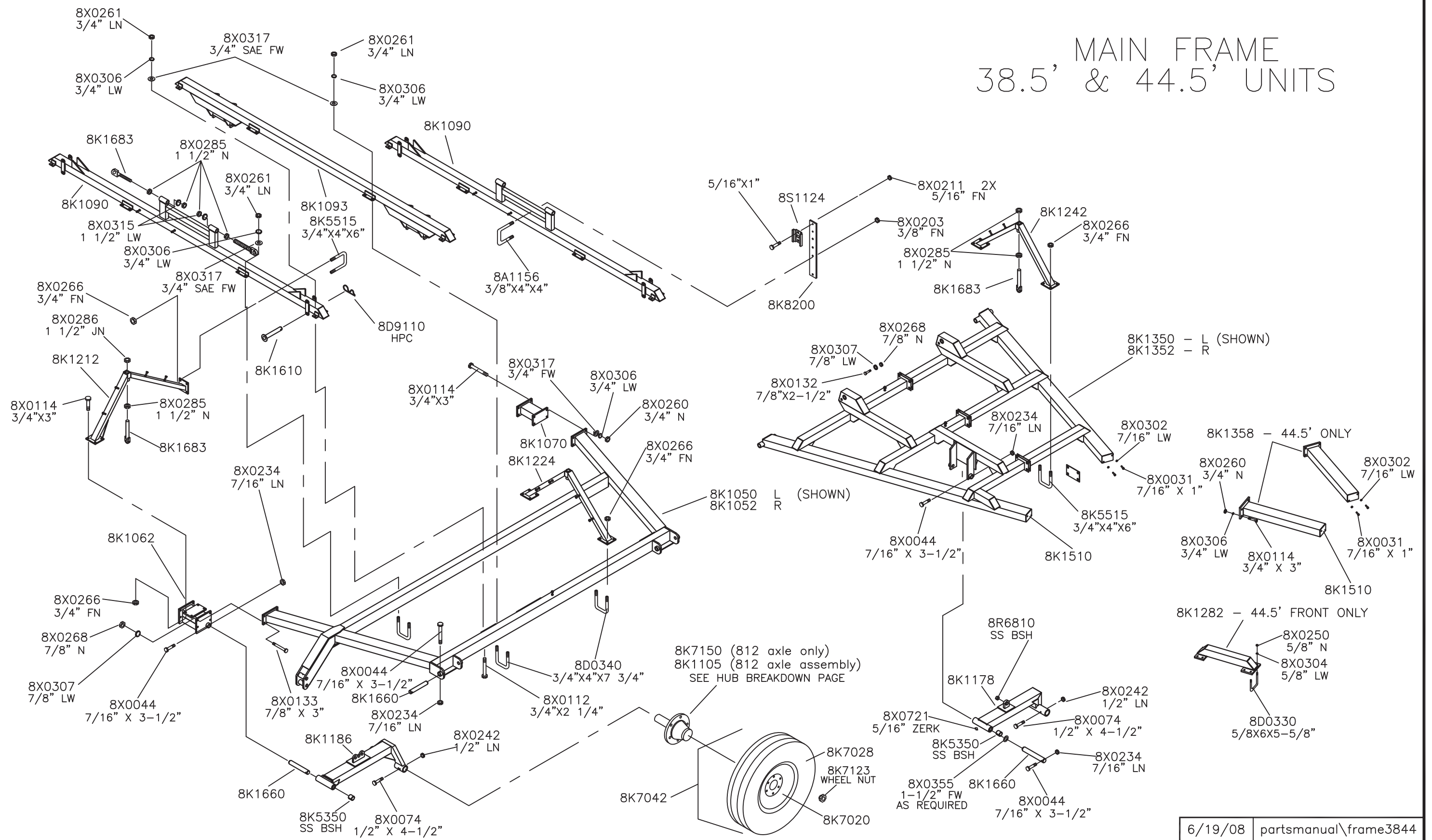


HYDRAULIC SYSTEM WING FOLD 24.5' THROUGH 32.5' UNITS

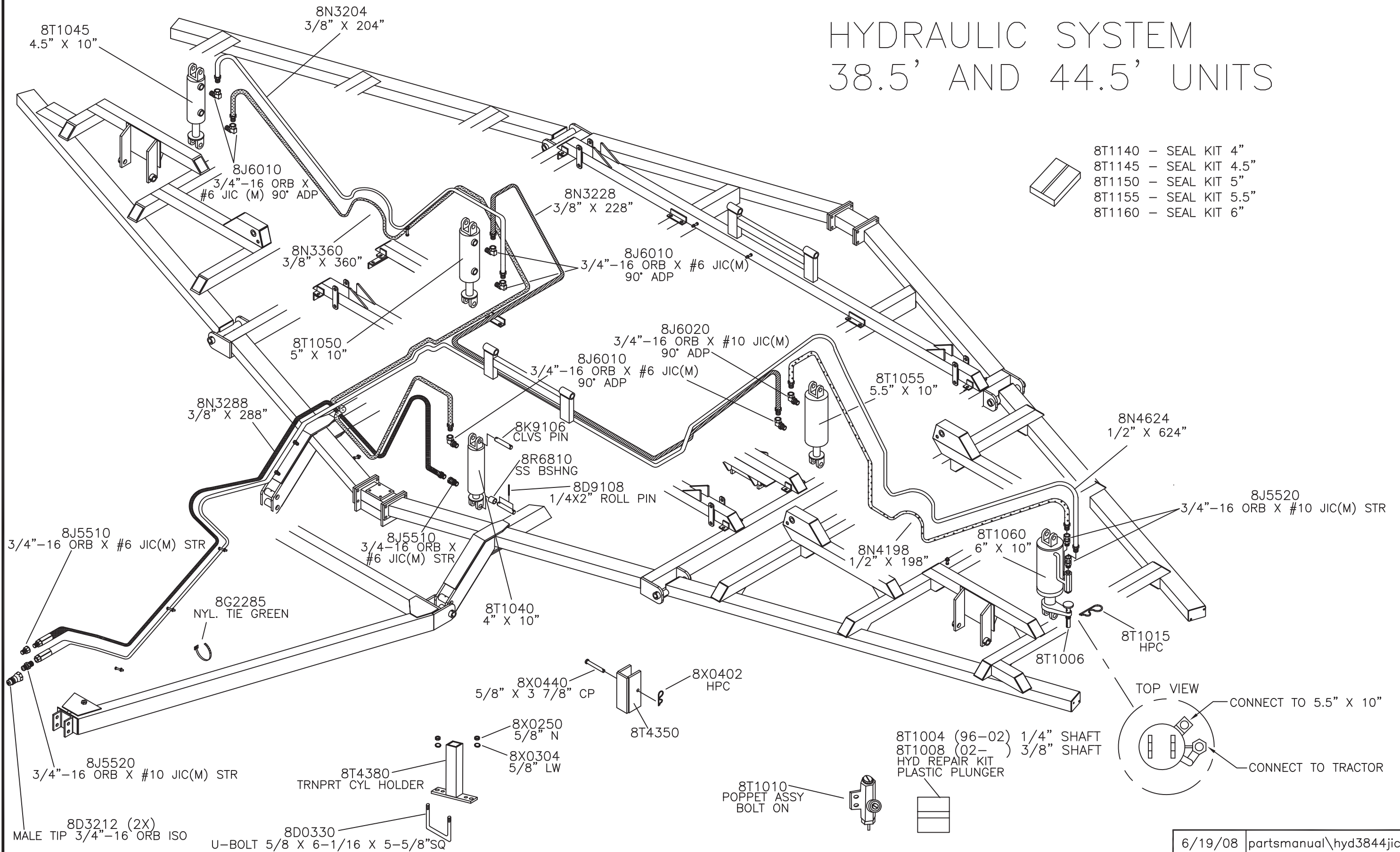


55

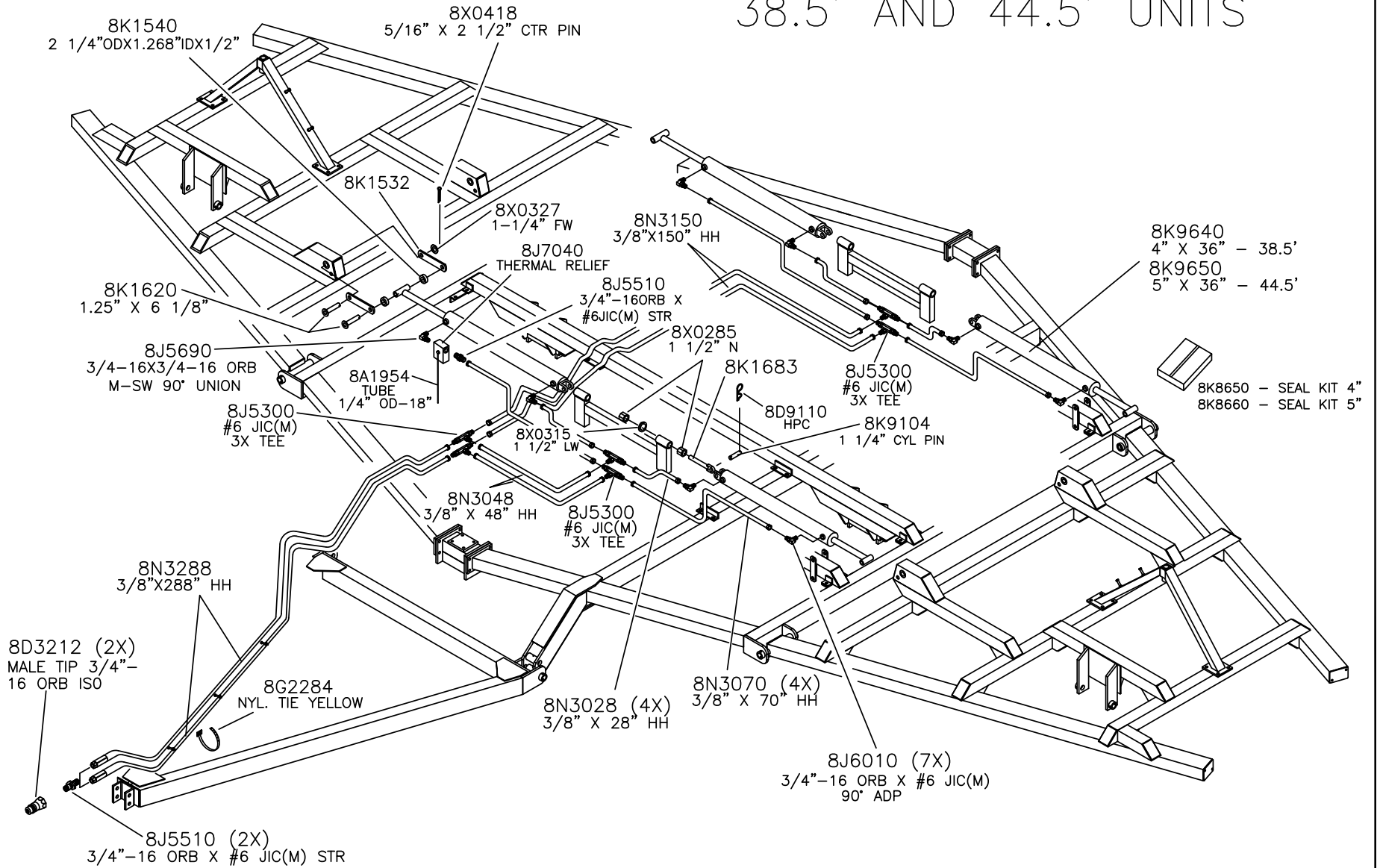
MAIN FRAME 38.5' & 44.5' UNITS



HYDRAULIC SYSTEM 38.5' AND 44.5' UNITS



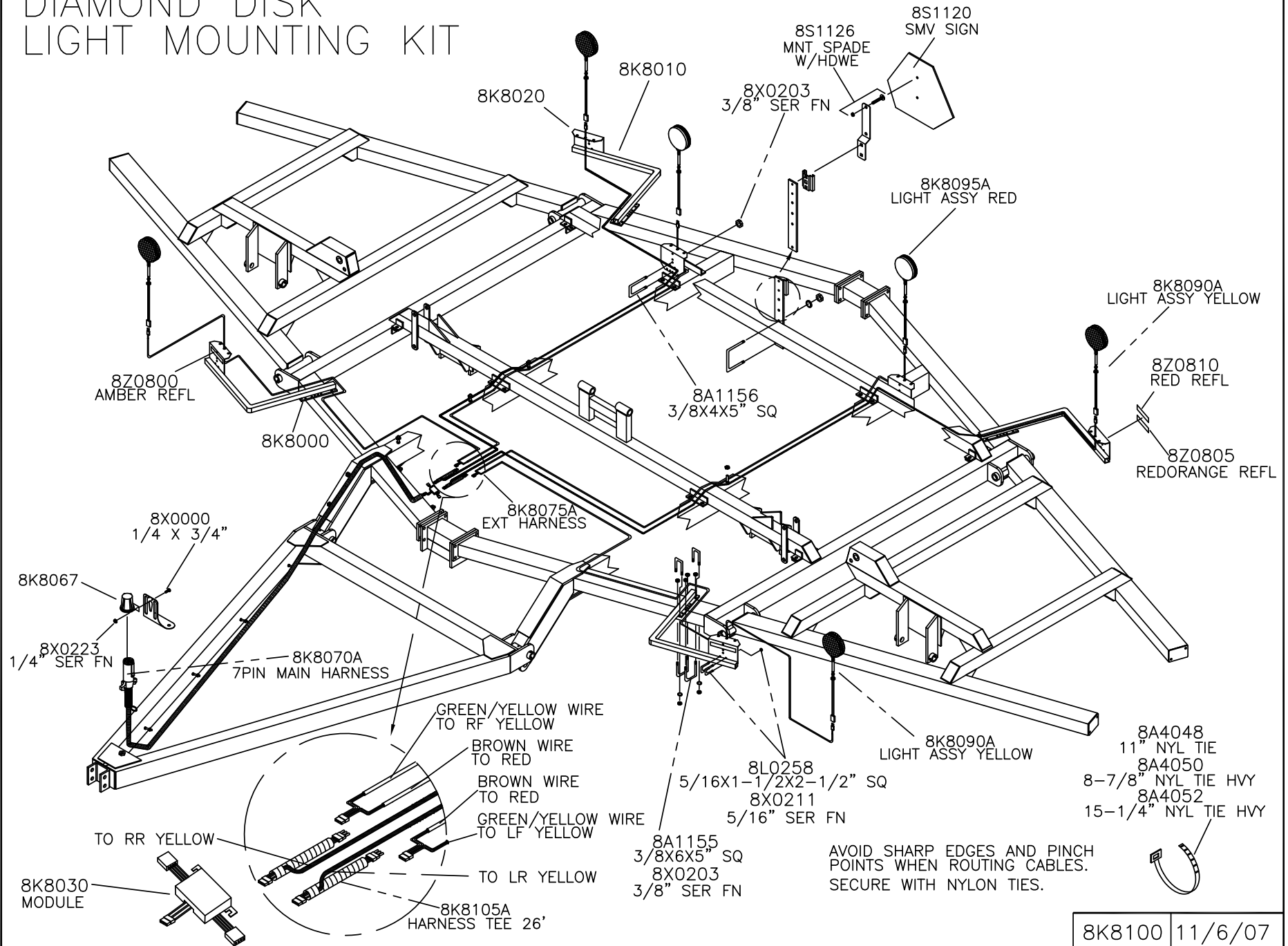
HYDRAULIC SYSTEM WING FOLD 38.5' AND 44.5' UNITS



5.8

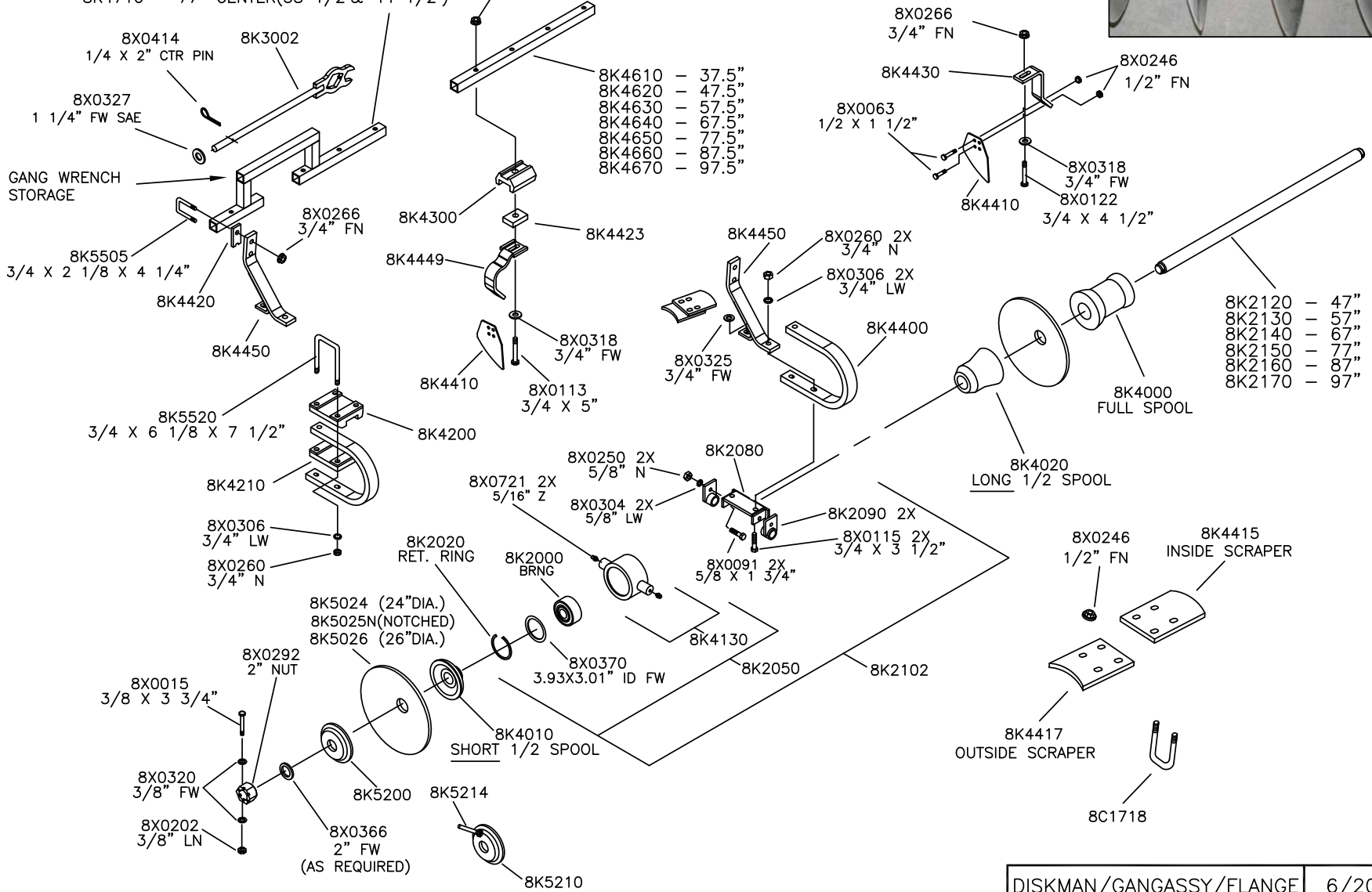
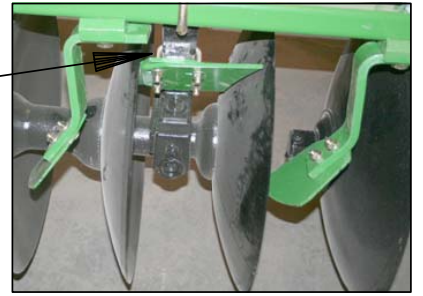
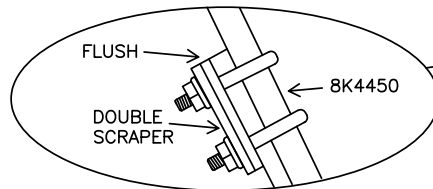
DIAMOND DISK LIGHT MOUNTING KIT

5.9



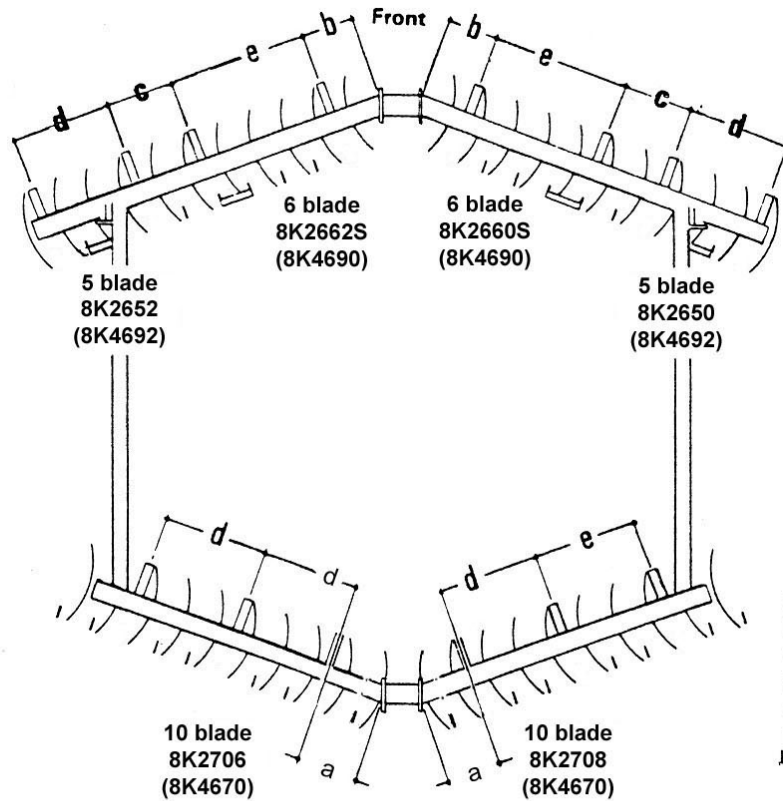
GANG ASSEMBLY

- 8K4690 - 47" INSIDE(18 1/2' & 21 1/2')
- 8K4692 - 47" OUTSIDE(18 1/2')
- 8K4698 - 67" OUTSIDE(21 1/2')
- 8K4700 - 67" CENTER(24 1/2' - 32 1/2')
- 8K4710 - 77" CENTER(38 1/2' & 44 1/2')



5.10

18½'

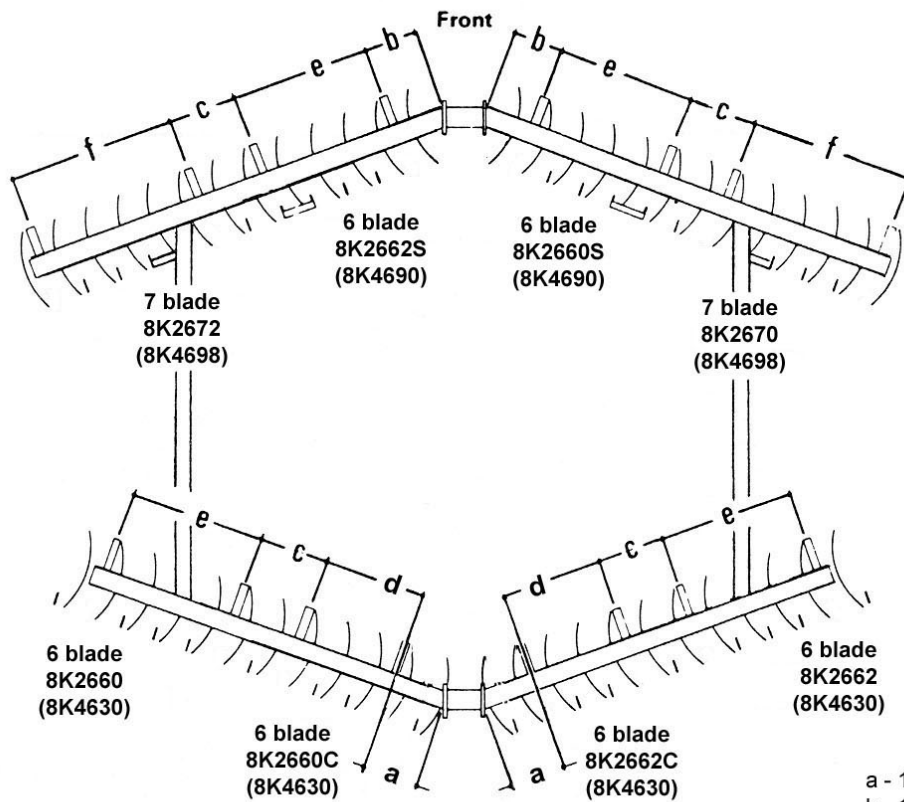


LEGEND:
 5 Blade - Gang Size
 8K2652 - Gang PN
 (8K4692) - Scraper Tube PN

10 blade
 8K2706
 (8K4670)




10 blade
 8K2708
 (8K4670)

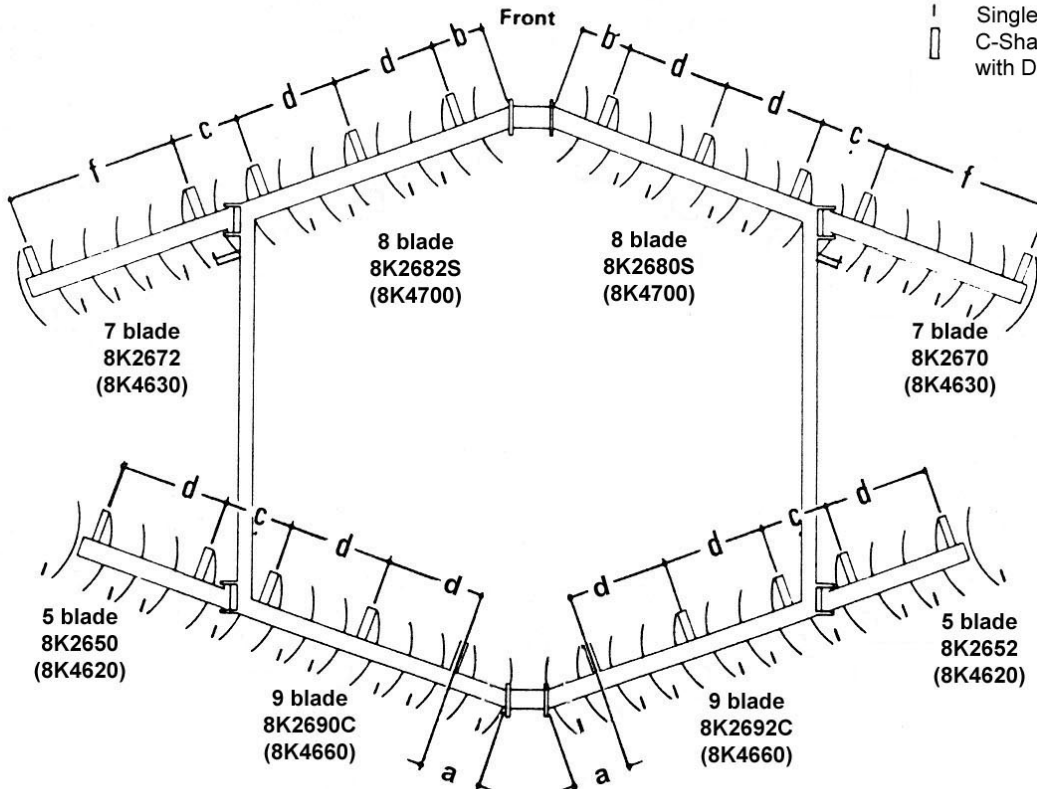
a - 16 1/2"
 b - 15 1/2"
 c - 20"
 d - 30"
 e - 40"
 f - 50"
 8K4449
 † Single Scraper
 □ C-Shaped Spring Shank
 with Double Scraper



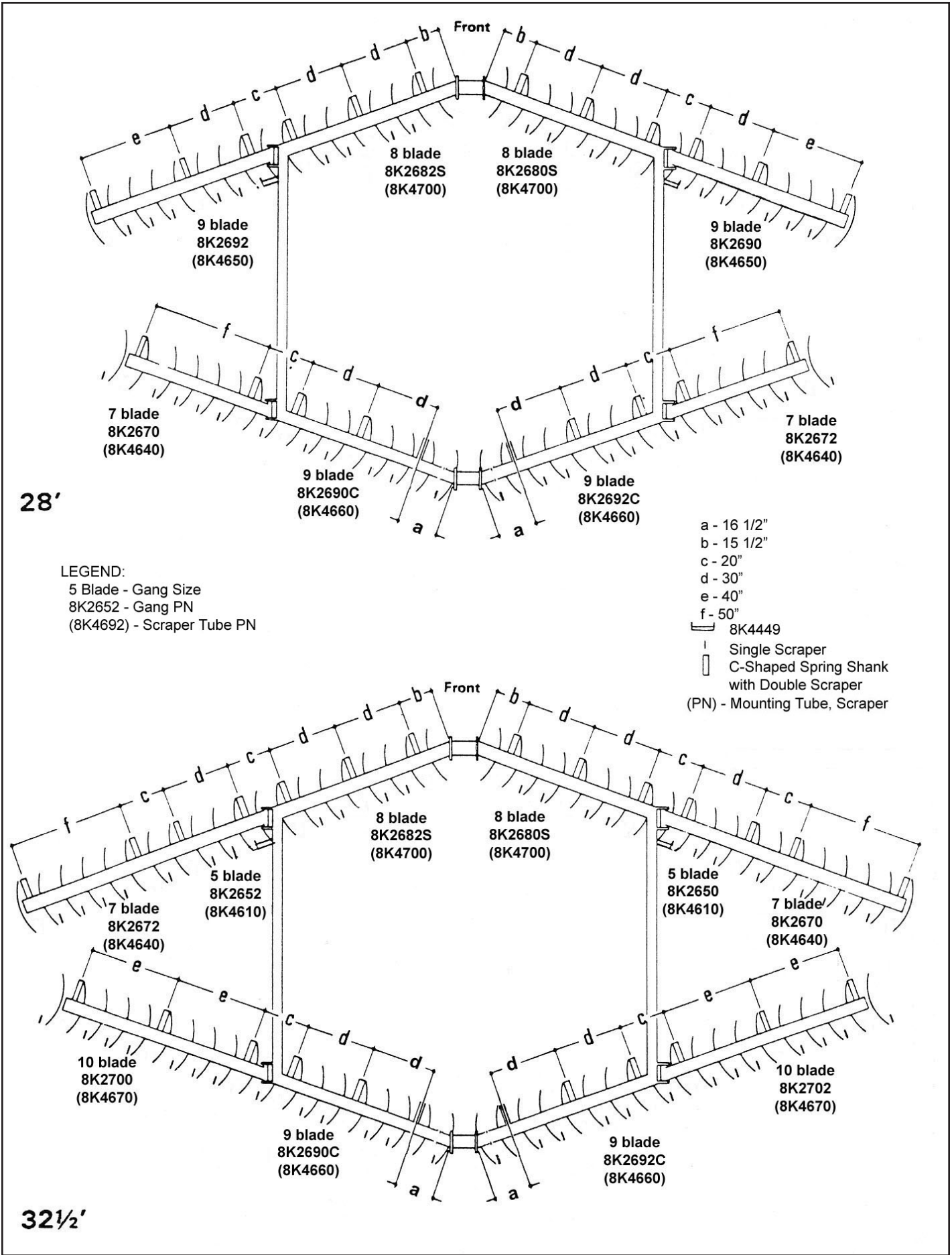
21 1/2'

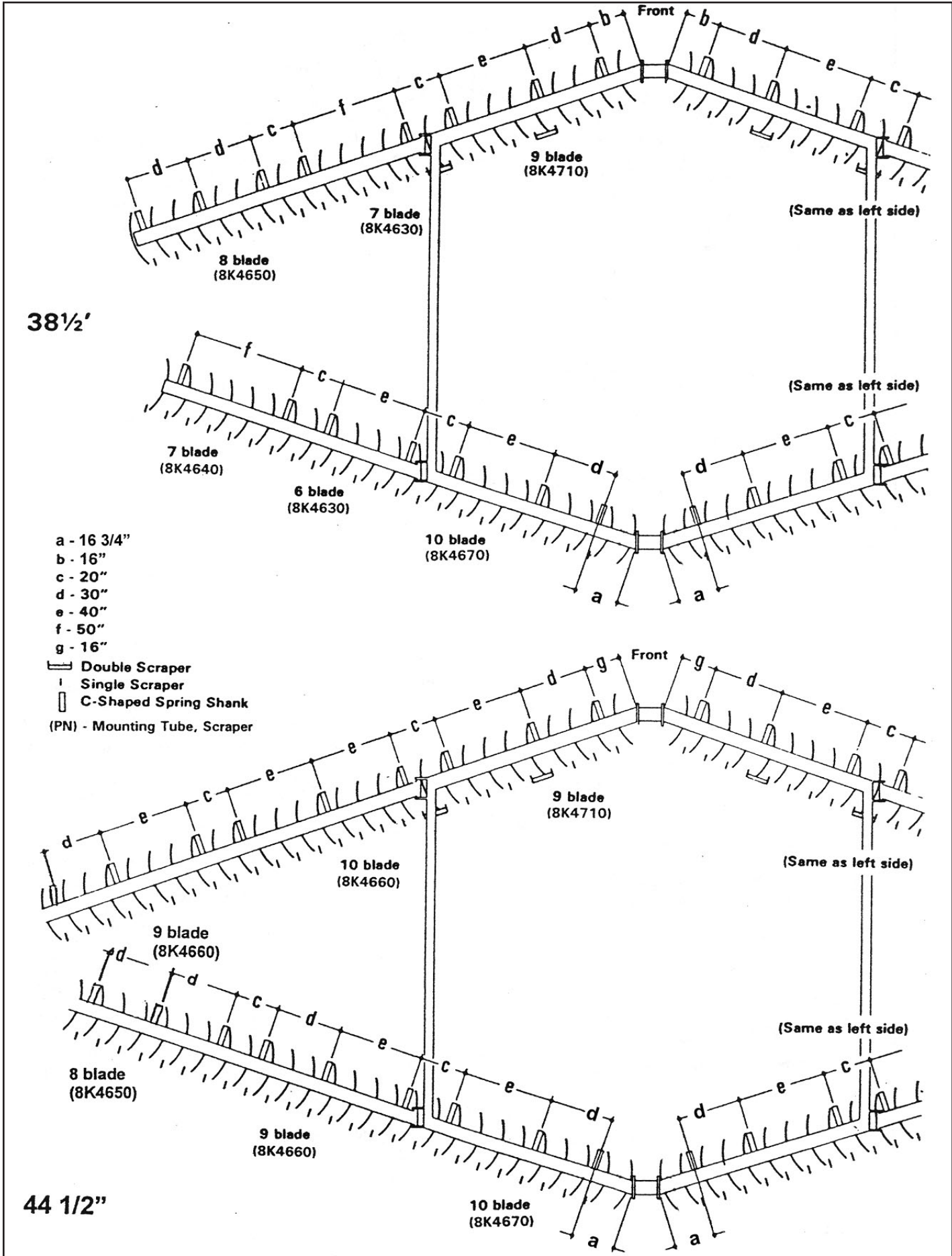
LEGEND:
 5 Blade - Gang Size
 8K2652 - Gang PN
 (8K4692) - Scraper Tube PN

- a - 16 1/2"
- b - 15 1/2"
- c - 20"
- d - 30"
- e - 40"
- f - 50"
-  8K4449
-  Single Scraper
-  C-Shaped Spring Shank with Double Scraper



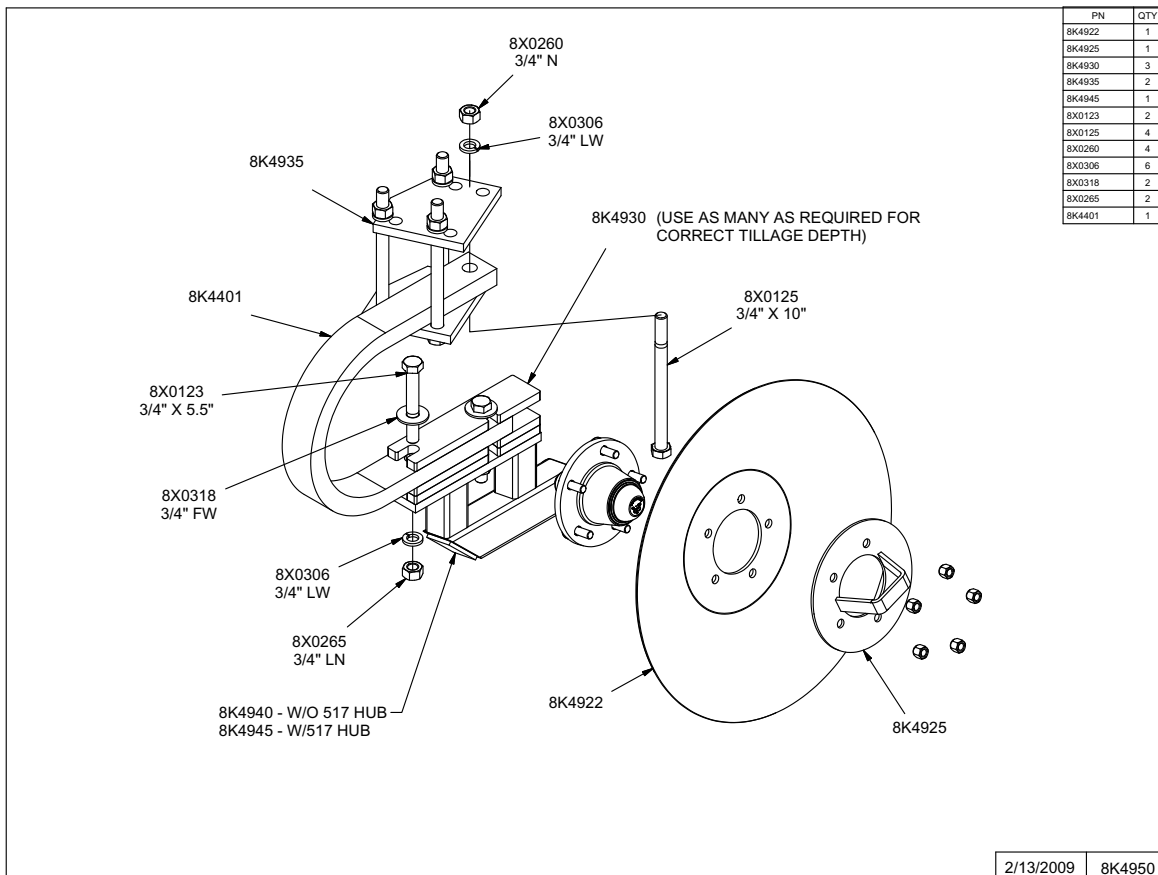
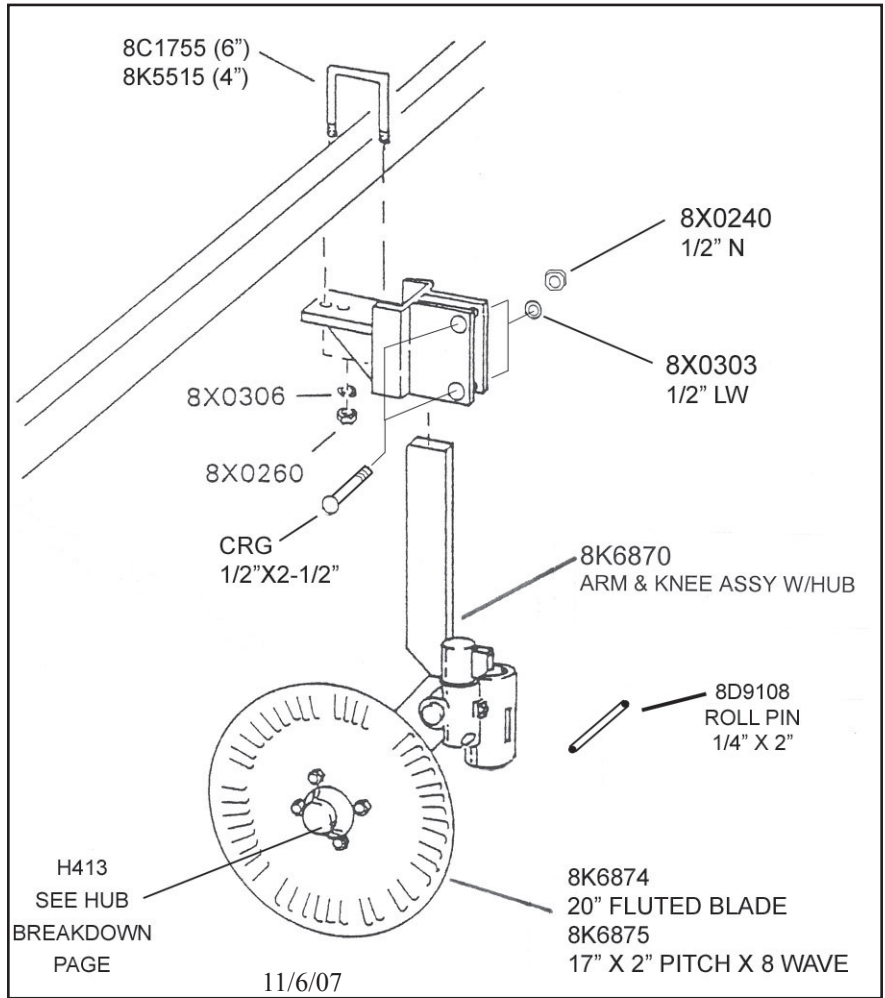
24 1/2'





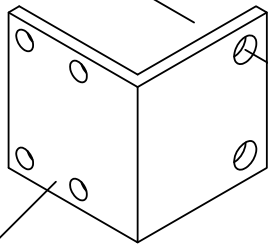
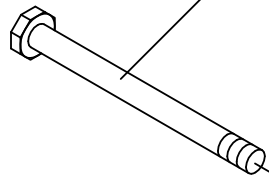
**MOUNTING INSTRUCTIONS
FOR DISK COULTER
ASSEMBLY (8K6890)**

Mount coulters assembly with bracket and hardware provided. Adjust coulters penetration by loosening the 1/2" diameter retaining carriage bolts and sliding coulters assembly up or down to desired working depth.

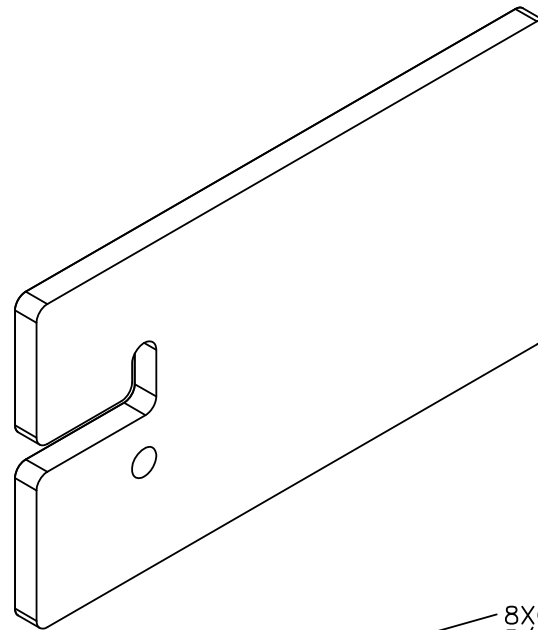


WING WEIGHT PACKAGE

8X0145
1" X 10 1/2"
8X0149
1" X 18" DOUBLE WGT PKG OPTION

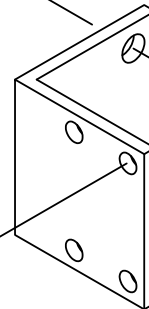


8K9220



8K9230

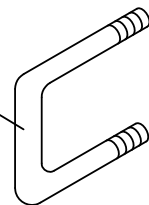
CAUTION: EACH SUITCASE WEIGHT (8K9230) WEIGHS 70#, USE EXTREME CARE WHEN HANDLING THEM.



8X0266
3/4" FN



8K5515
3/4 X 4 X 6"



8X0309
1" LW



8X0280
1" N

8K9250

6/19/08

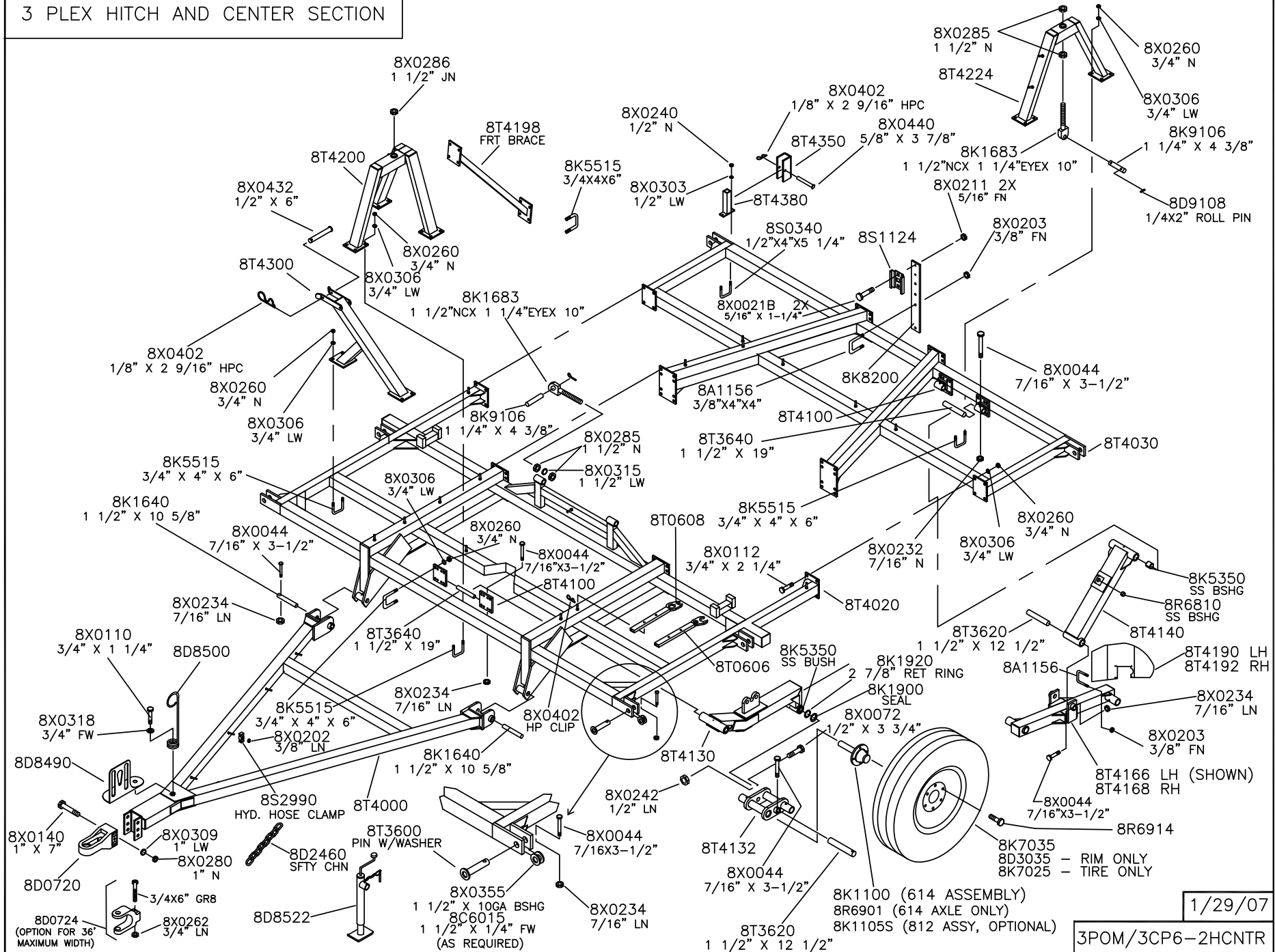
NOTES

SUPERCHISEL - COULTER-CHISEL - DISK-CHISEL

3 SECTION CHISEL	
Hitch and Center Section	6.1
Wings and Extensions 28' - 30'	6.2
Wings and Extensions 32' - 38'	6.3
Wings and Extensions 40', 42' & 44'	6.4
Depth Control Hydraulic	6.5
Wing Lift Hydraulics	6.6
5 SECTION CHISEL	
Hitch and Center Section	6.7
Part 1 Wing	6.8
Part 2 Wing and Extensions	6.9
Depth Control Hydraulics, 50'-54'	6.10 - 6.11
Depth Control Hydraulics, 56'-60'	
Wing Lift Hydraulics, 50'-54'	6.12 - 6.13
Wing Lift Hydraulics, 56'-60'	
Safety Light Kit	6.14
Trip Assembly	6.15
Rear Hitch Option	6.16
COULTER-CHISEL/DISK-CHISEL	
16' & 20' Center	6.17 - 6.18
16' & 20' Center Hydraulics	6.19
16' & 20' Gang Depth Control Hydraulics	6.20
16' & 20' Depth Control Hydraulics	6.21
32'-36' Center	6.22
32'-36' Center Cylinder Attachment	6.23
32'-36' Transport	6.24
32'-36' Hitch & Locks	6.25
32'-36' Wing	6.26
32'-36' Wing Transport	6.27
32'-36' Wing Extensions	6.28
40' Center	6.29
40' Center Cylinder Attachment	6.30
40' Transport	6.31
40' Hitch & Locks	6.32
40' Wing	6.33
40' Wing Transport	6.34
32-40' Gang Depth Control Hydraulics	6.35
32'-40' Depth Control Hydraulics	6.36
32'-40' Wing Lift Hydraulics	6.37
Coulter-Chisel Gang Assemblies	6.38
Gang Scrapers	6.39
Disk-Chisel Blade Assembly	6.40
Double Coulter Assembly	6.41

3 PLEX HITCH AND CENTER SECTION

6.1

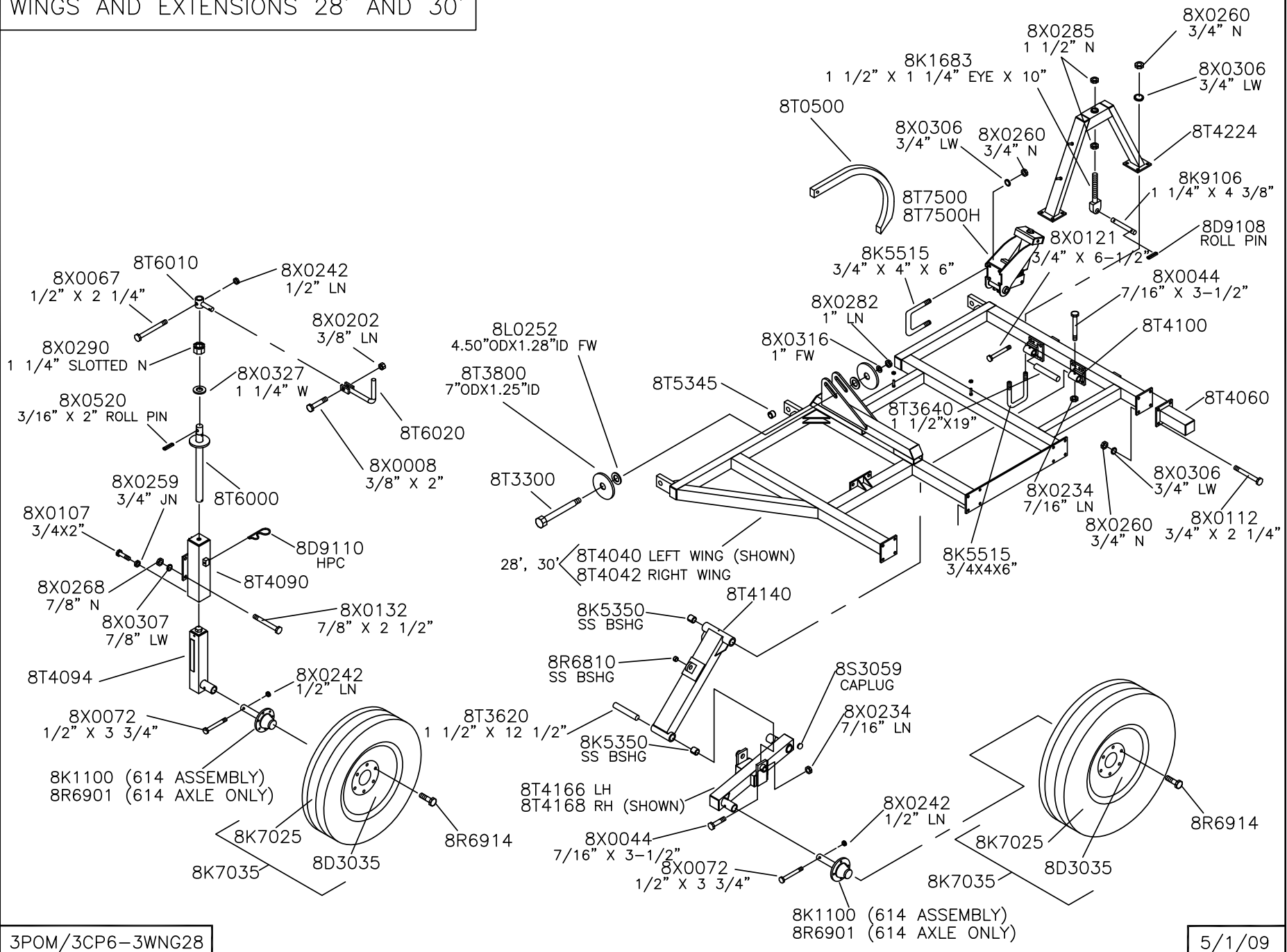


1/29/07

3POM/3CP6-2HCNTR

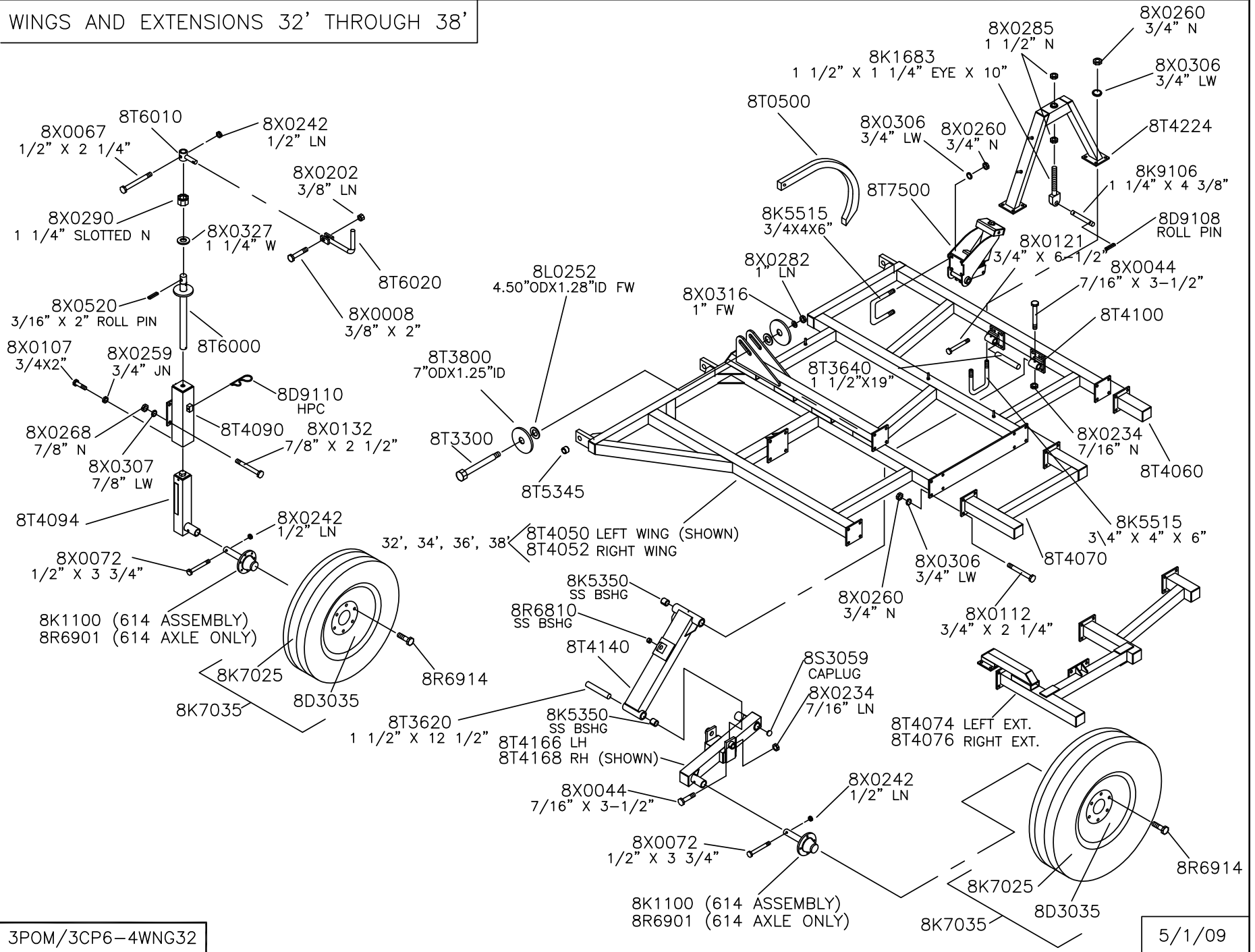
WINGS AND EXTENSIONS 28' AND 30'

6.2



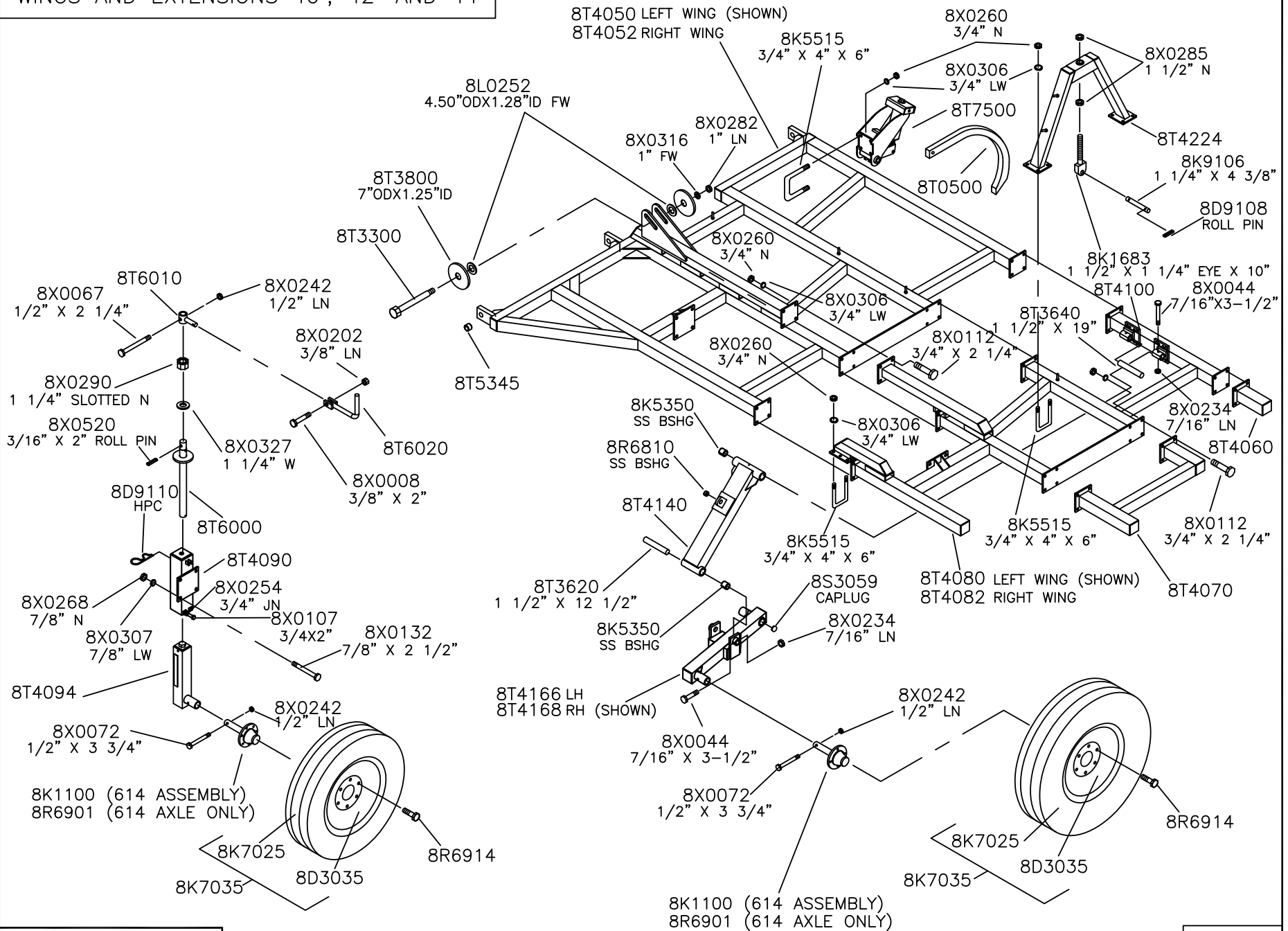
WINGS AND EXTENSIONS 32' THROUGH 38'

63



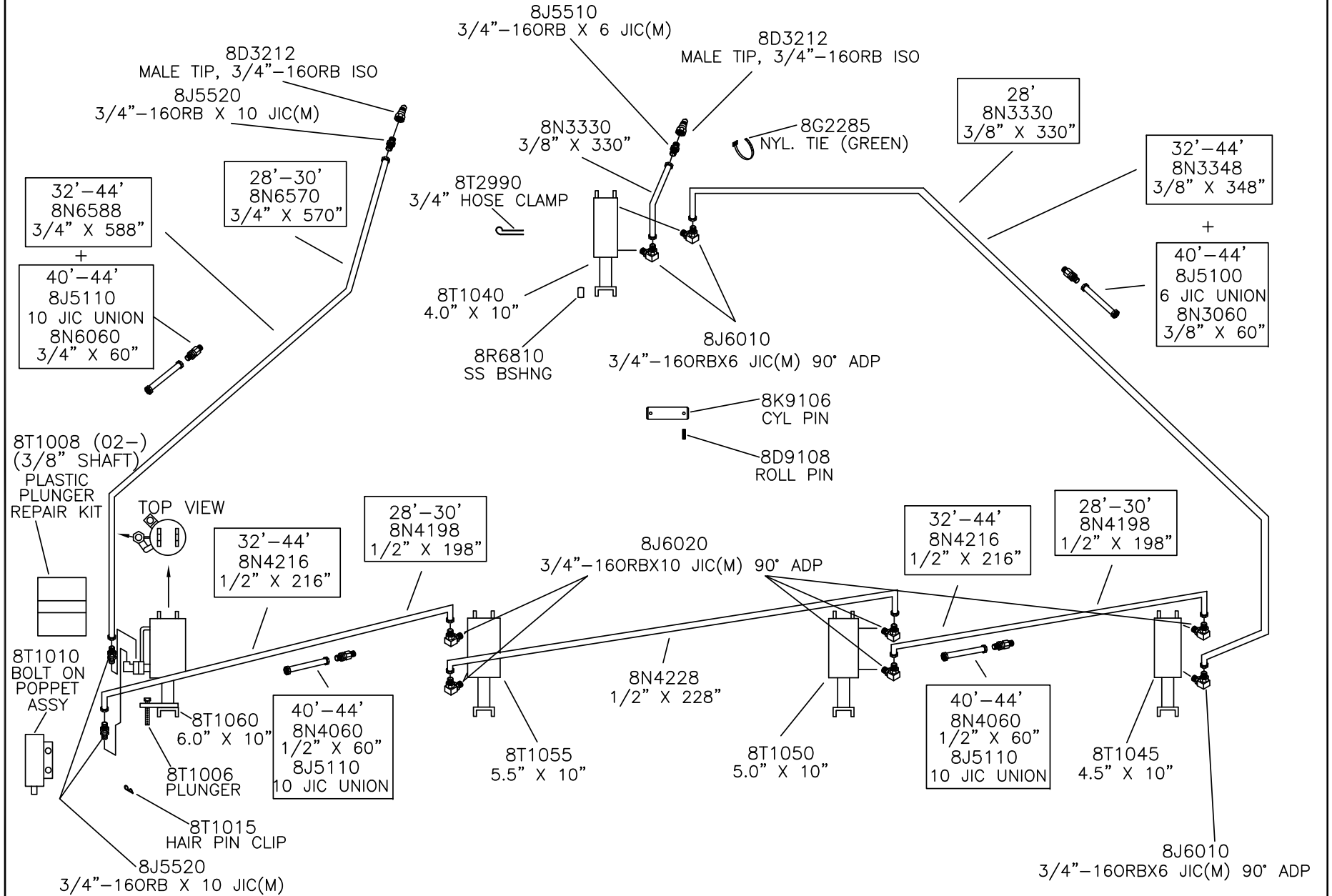
WINGS AND EXTENSIONS 40', 42' AND 44'

6.4



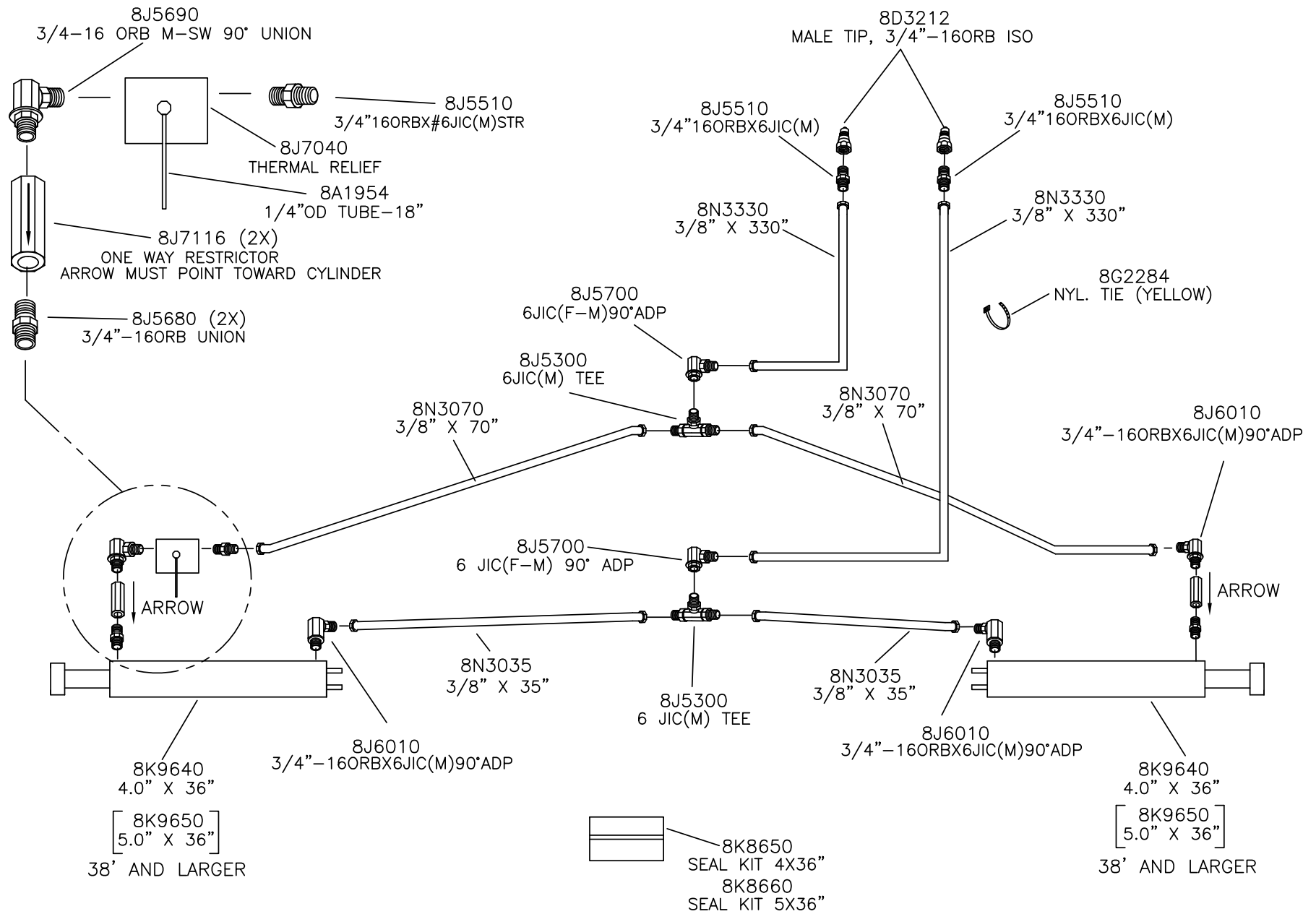
DEPTH CONTROL HYDRAULICS

65



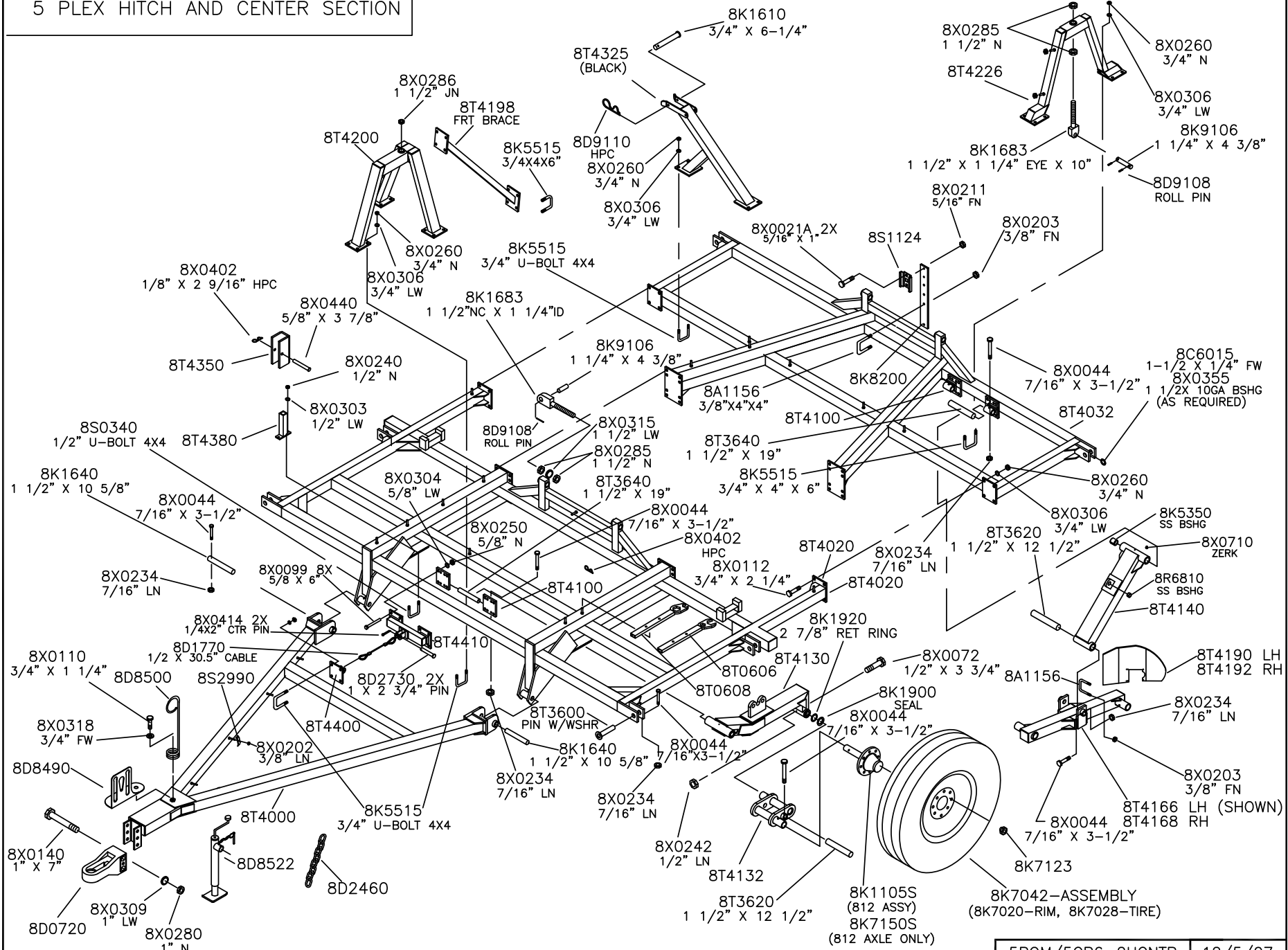
WING LIFT HYDRAULICS

9'9"



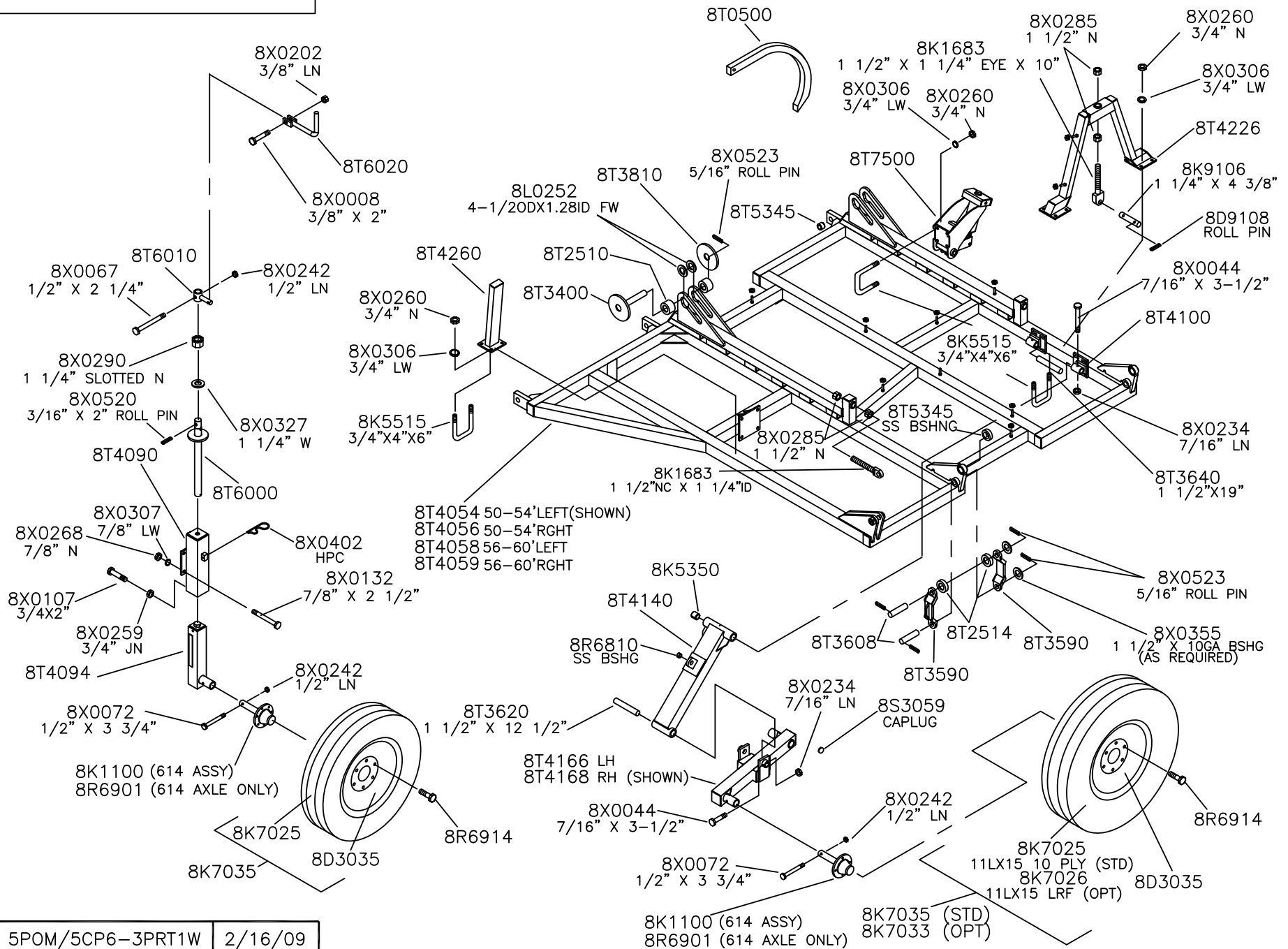
5 PLEX HITCH AND CENTER SECTION

6.7



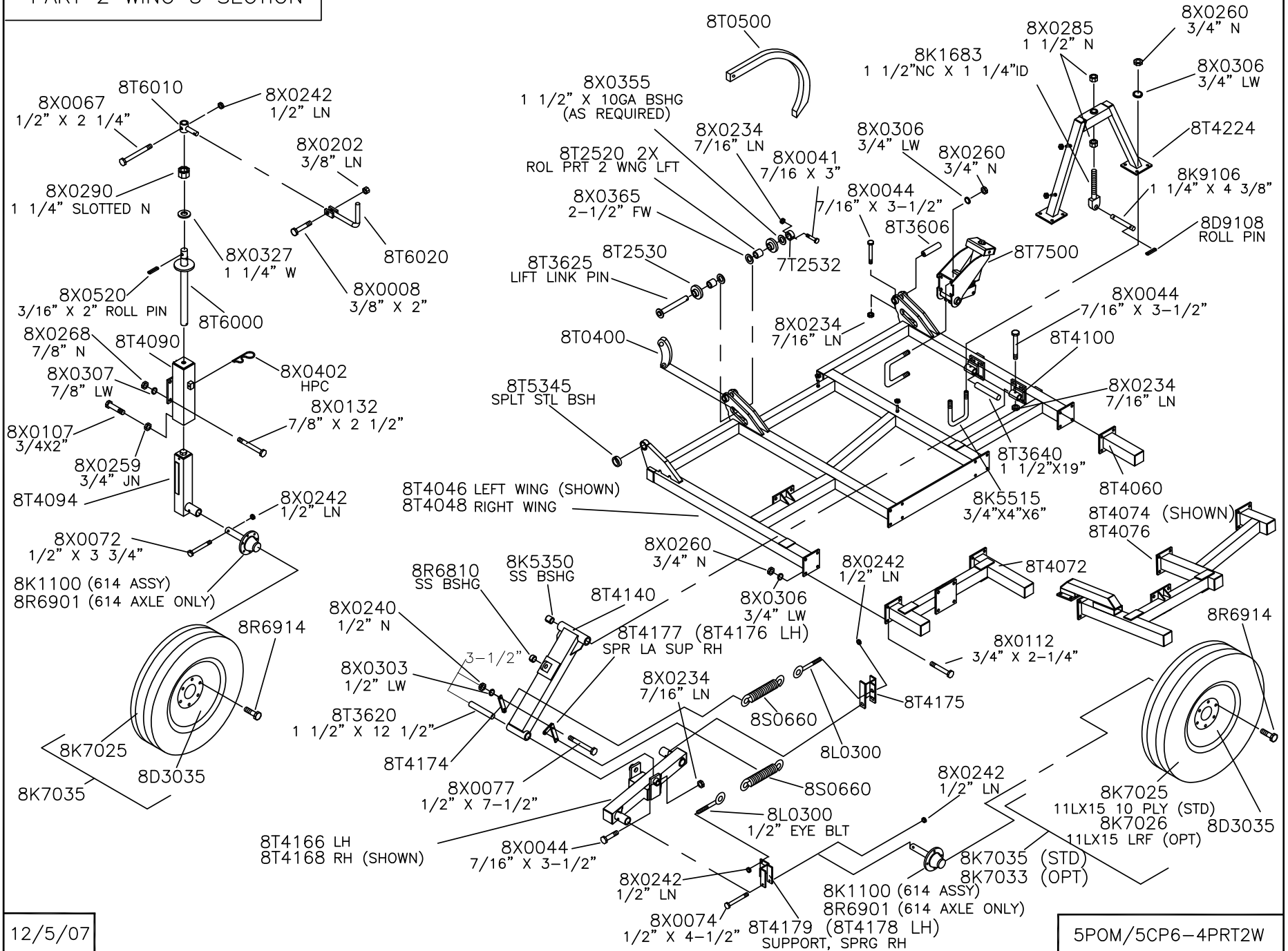
PART 1 WING 5 SECTION

8.9



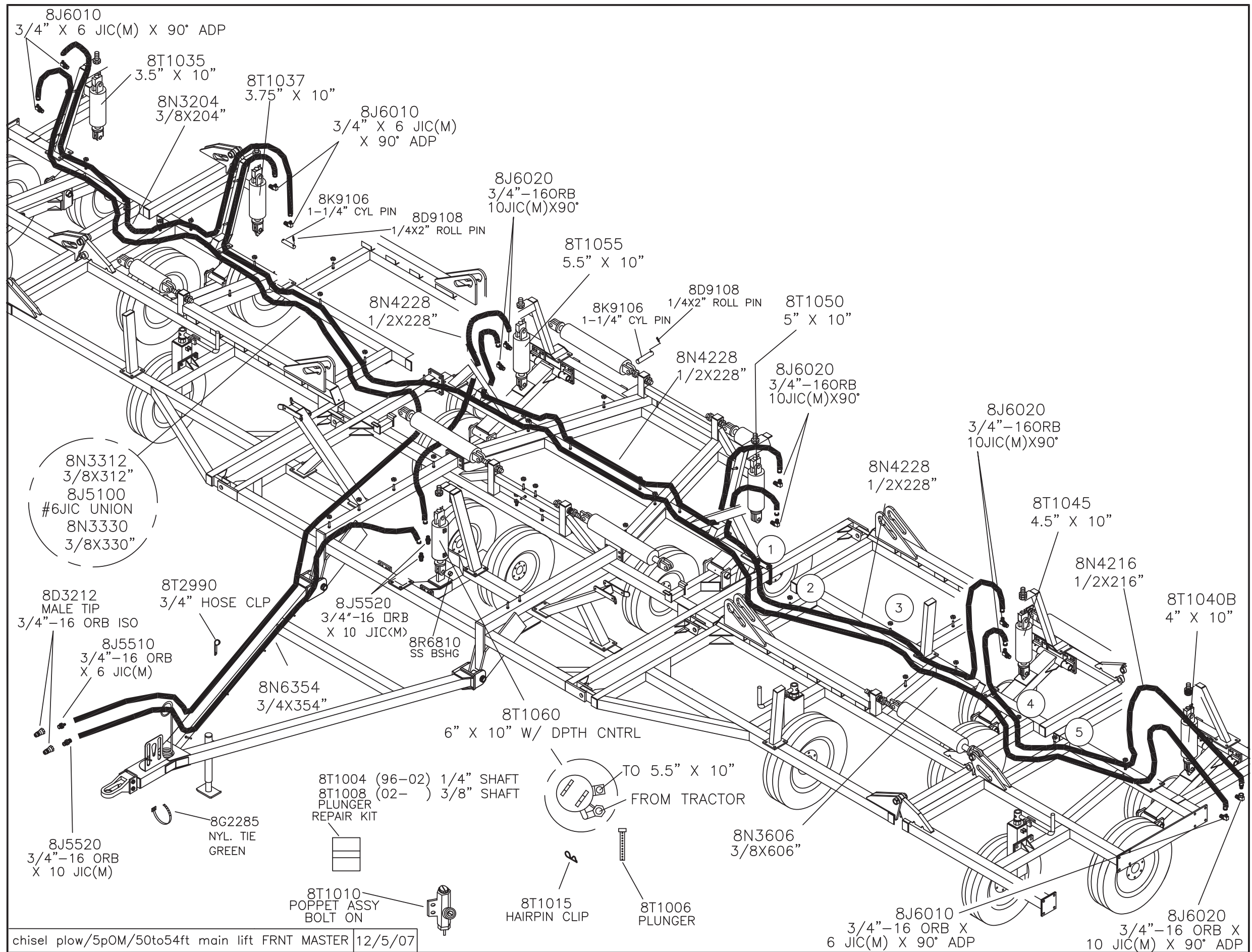
PART 2 WING 5 SECTION

69

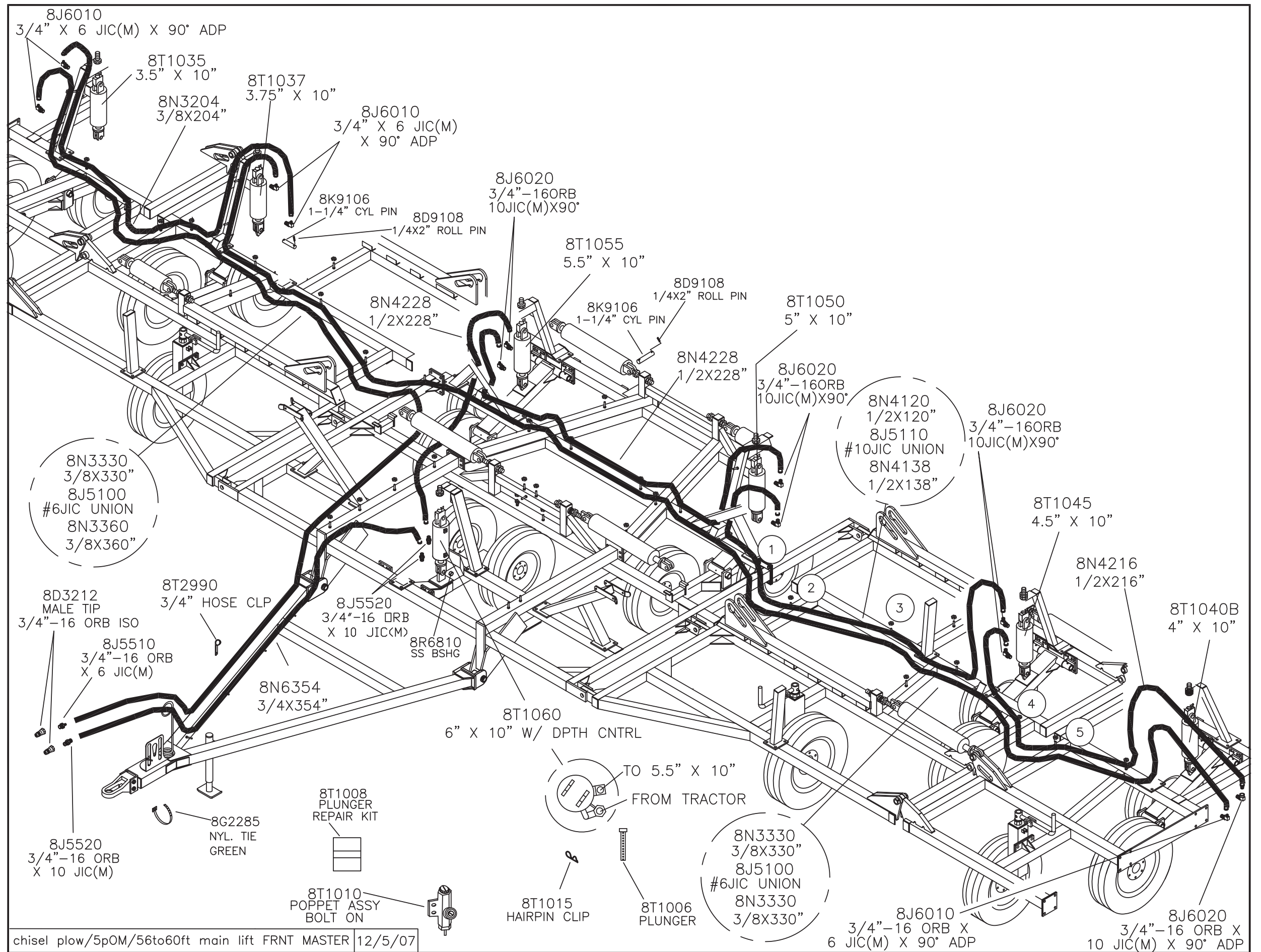


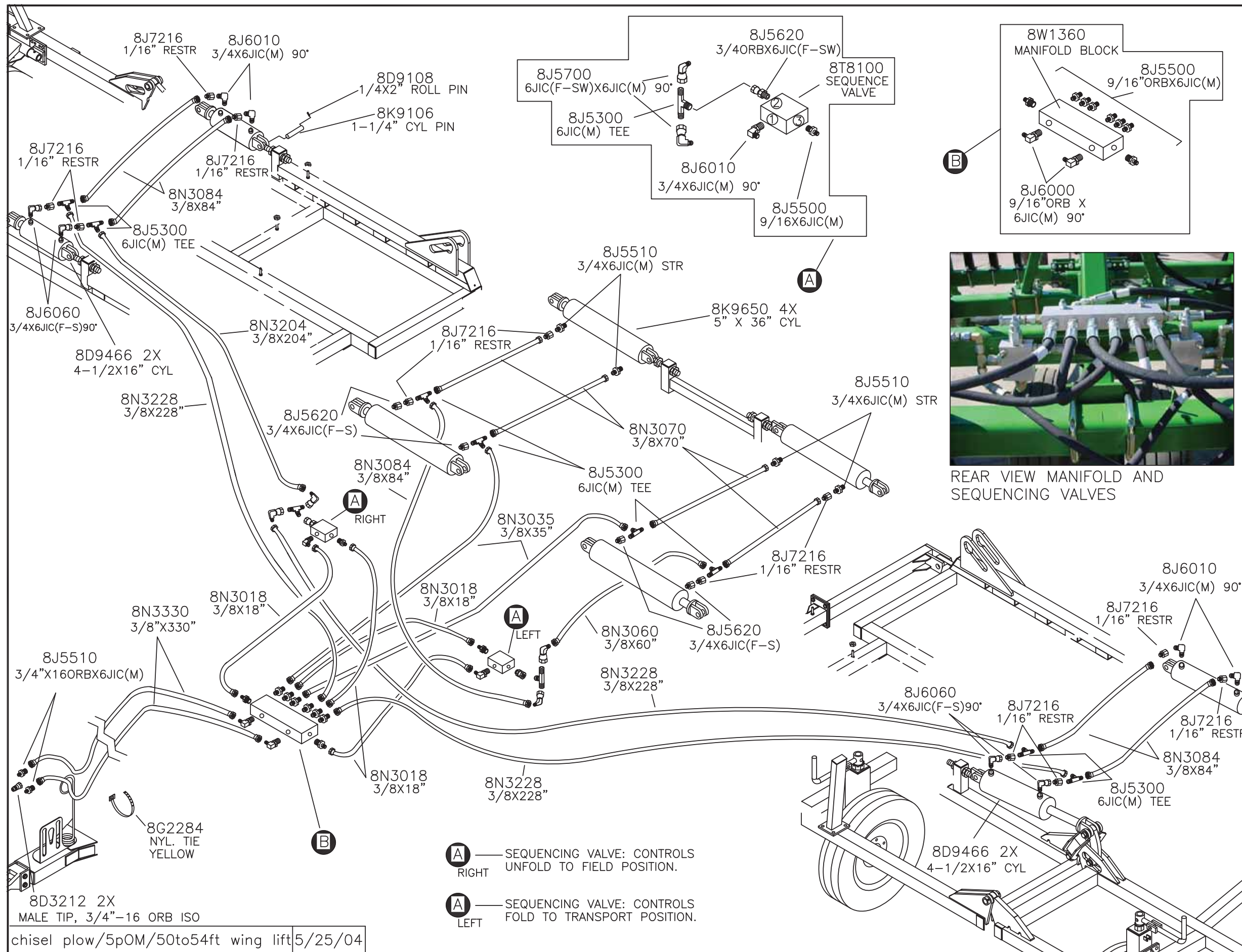
12/5/07

5POM/5CP6-4PRT2W



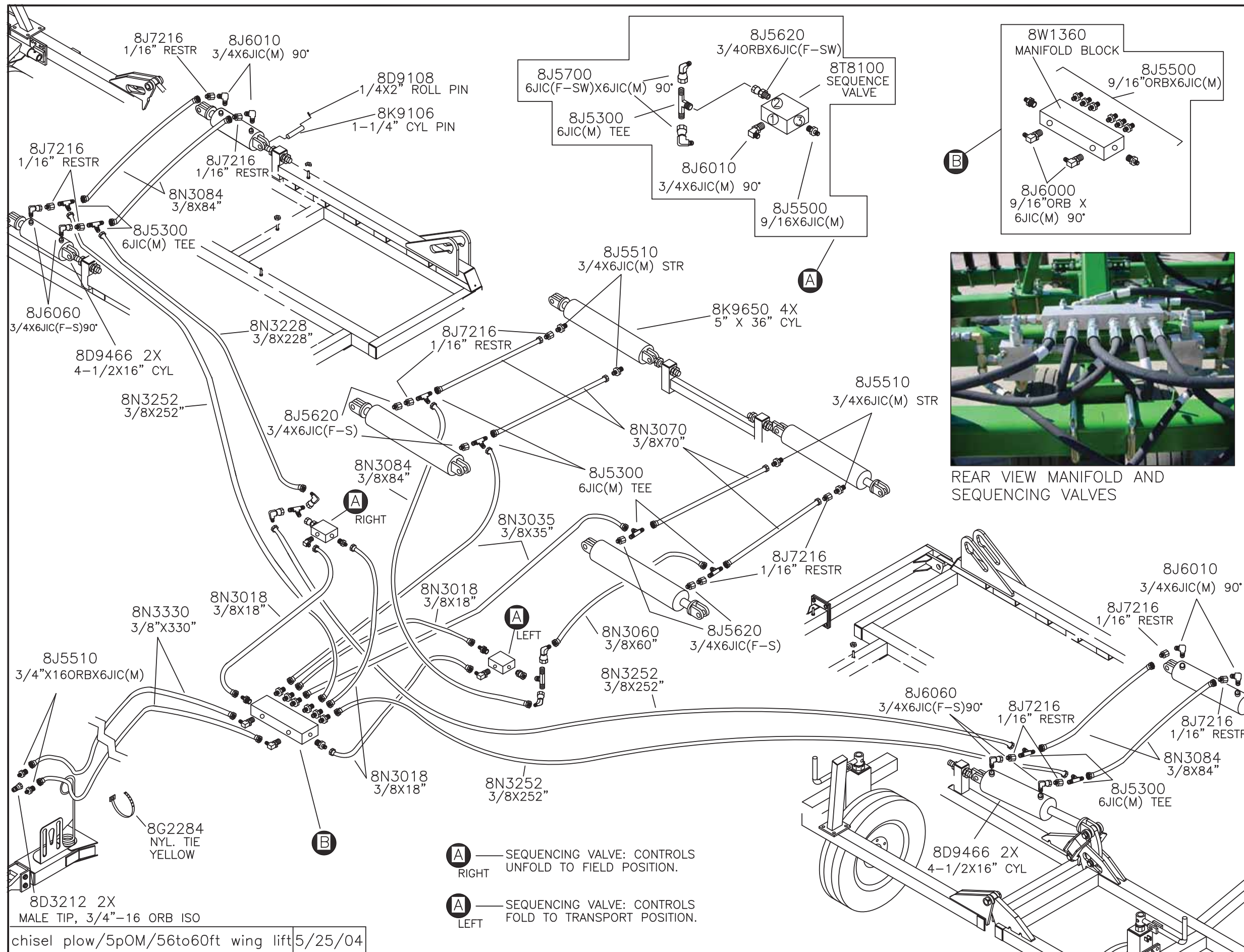
chisel plow/5pOM/50to54ft main lift FRNT MASTER 12/5/07





REAR VIEW MANIFOLD AND SEQUENCING VALVES

chisel plow/5pOM/50to54ft wing lift 5/25/04

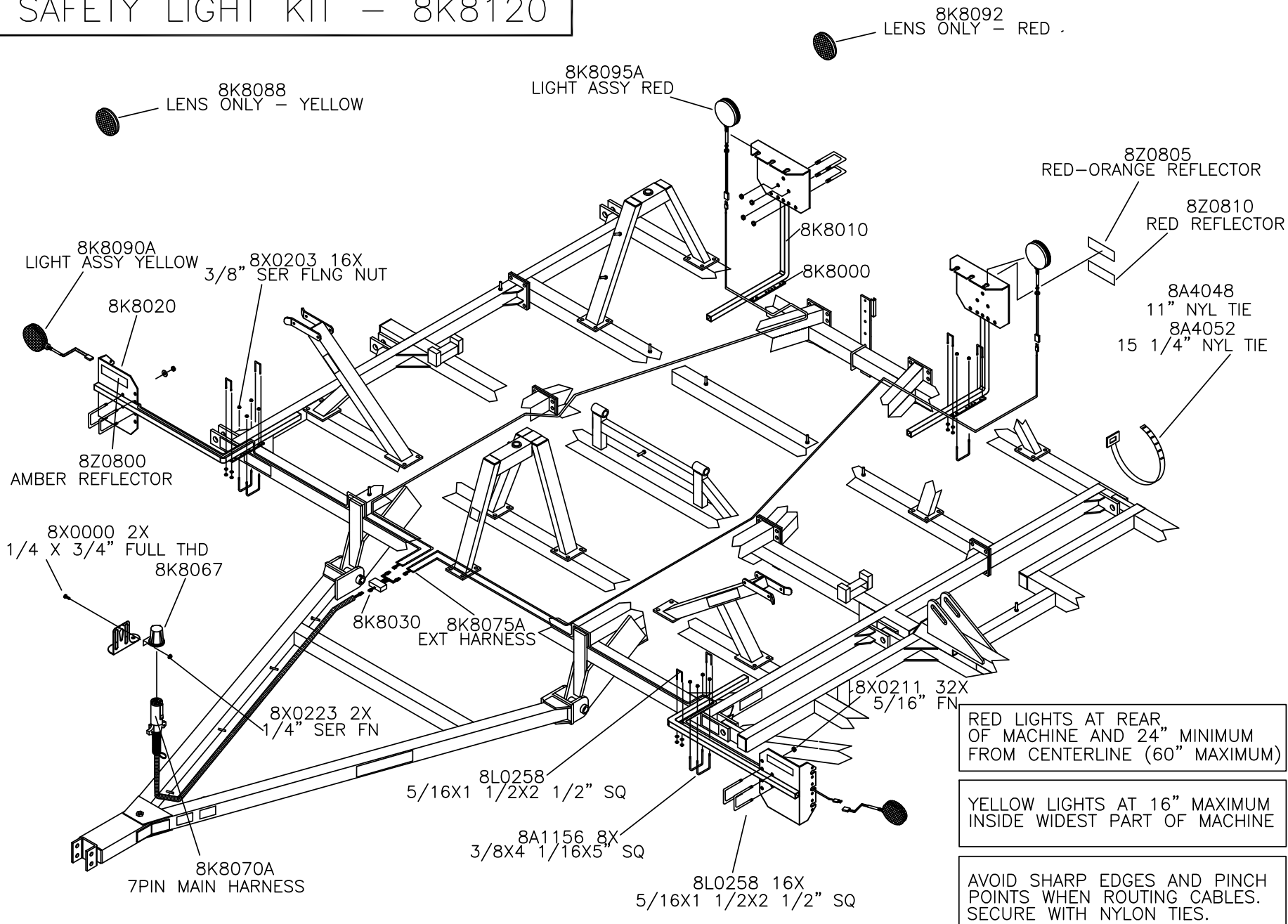


REAR VIEW MANIFOLD AND SEQUENCING VALVES

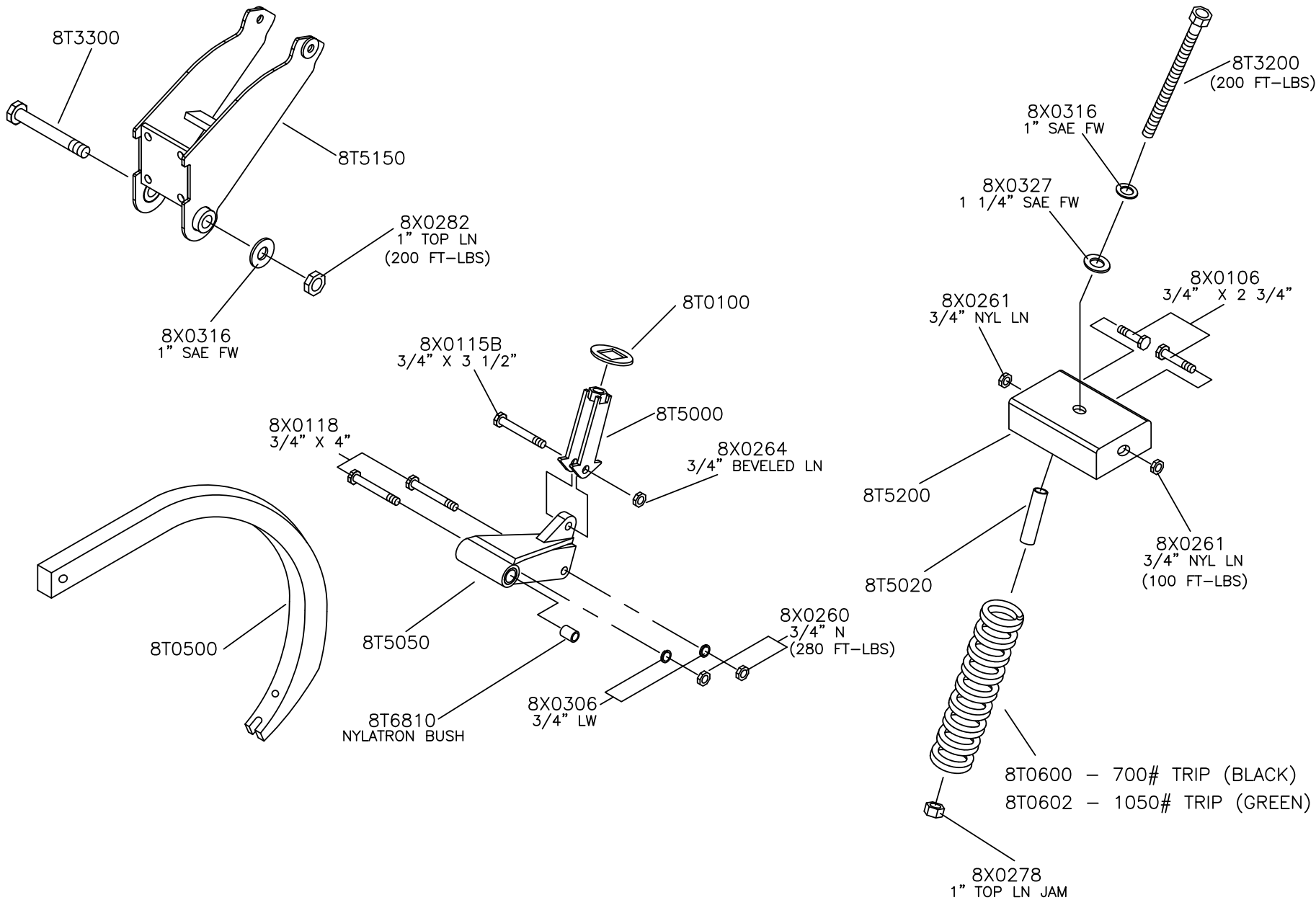
chisel plow/5pOM/56to60ft wing lift 5/25/04

SAFETY LIGHT KIT - 8K8120

6.14

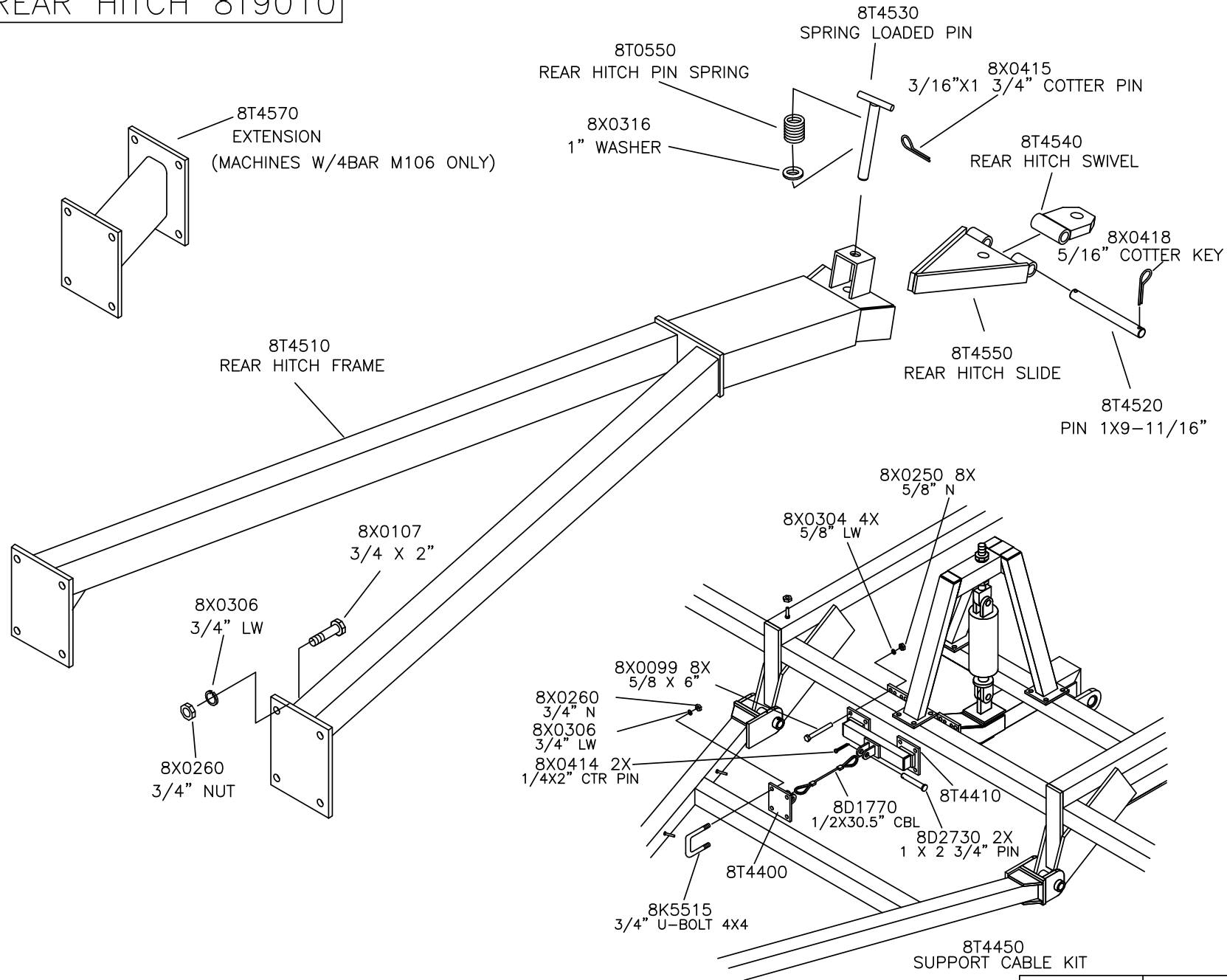


TRIP ASSEMBLY



6.15

REAR HITCH 8T9010



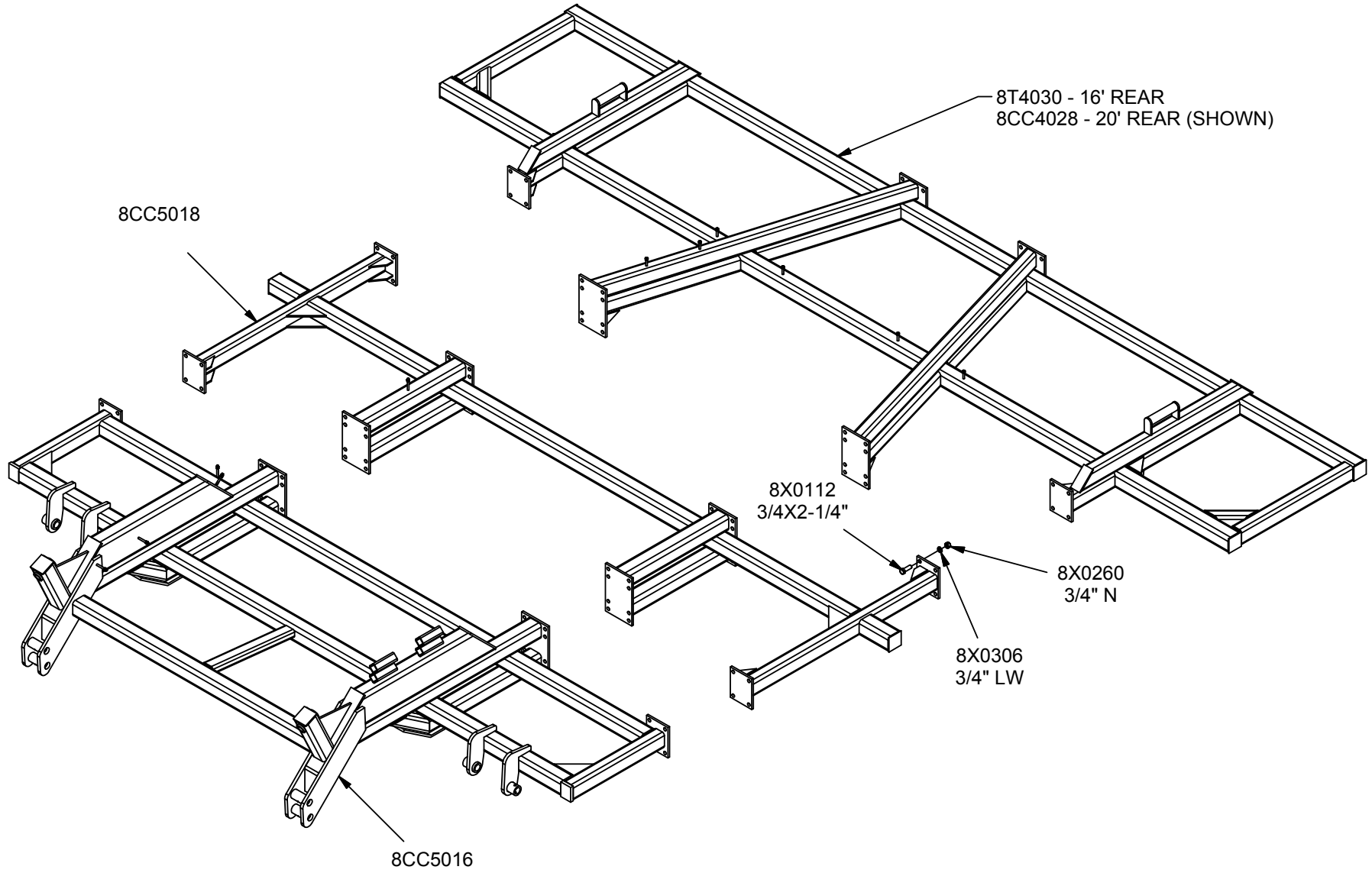
6.16

5/1/09

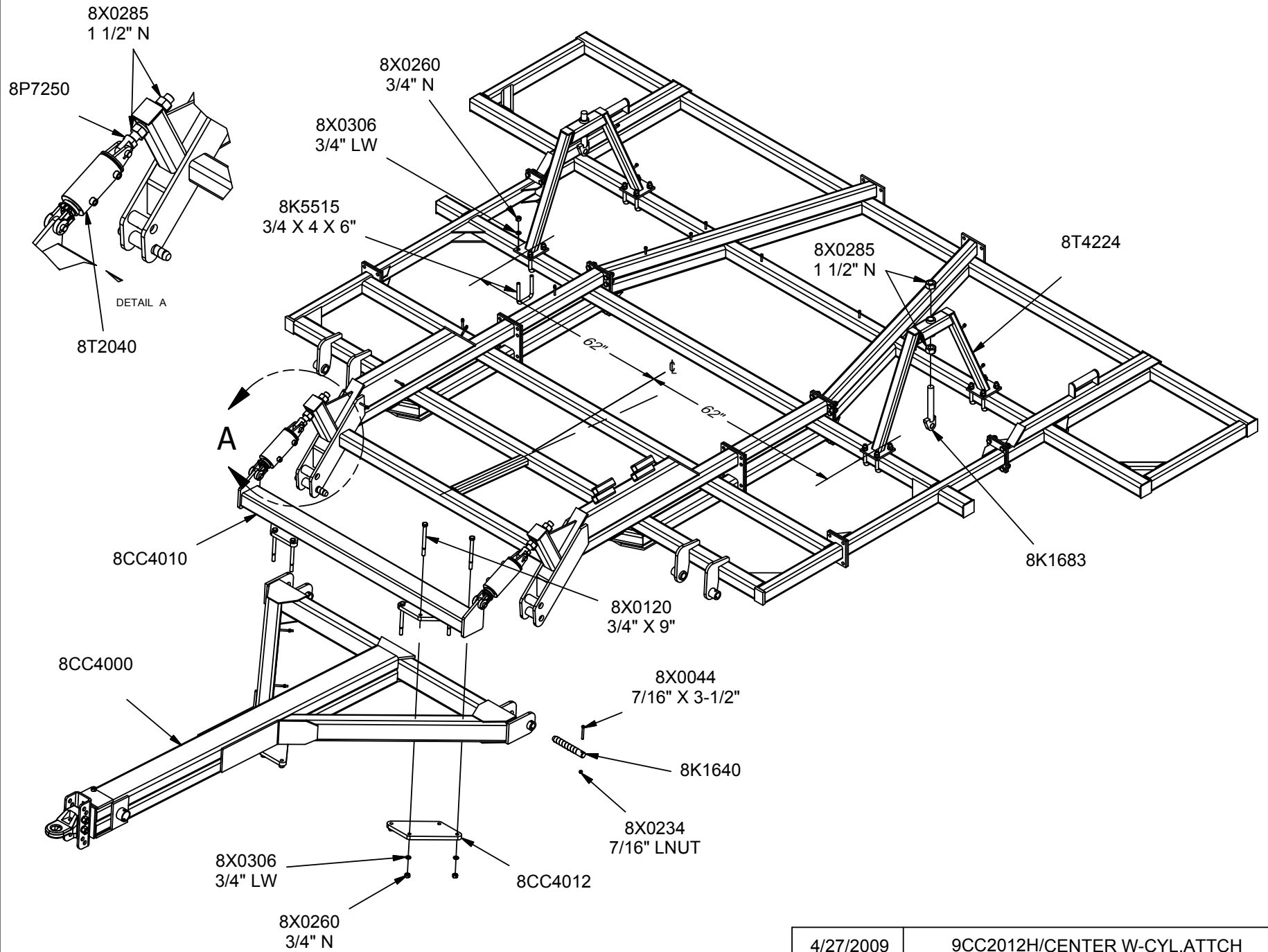
CP/REARHITCH

16' & 20' CENTER

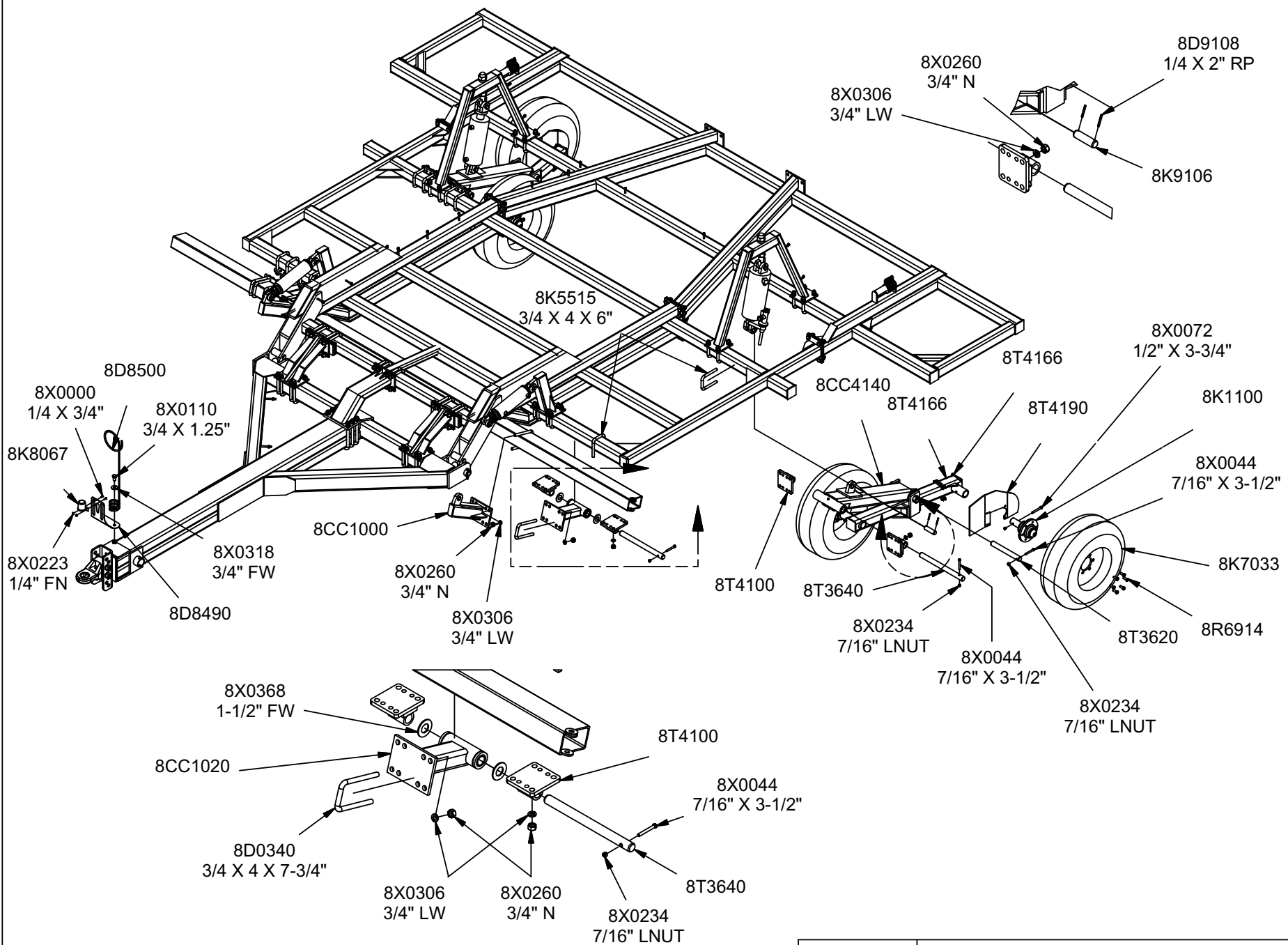
6.17



6.18

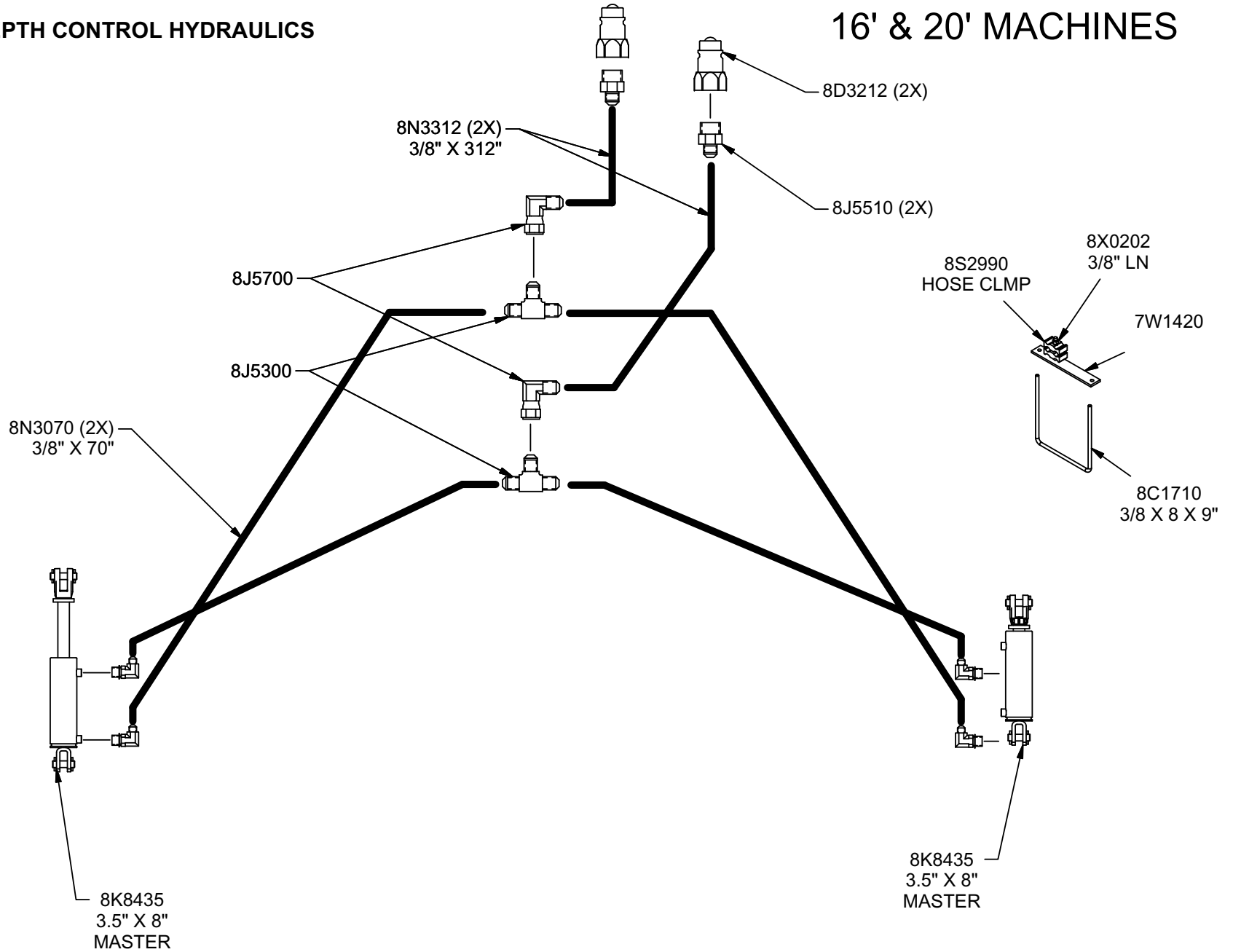


6.19



GANG DEPTH CONTROL HYDRAULICS

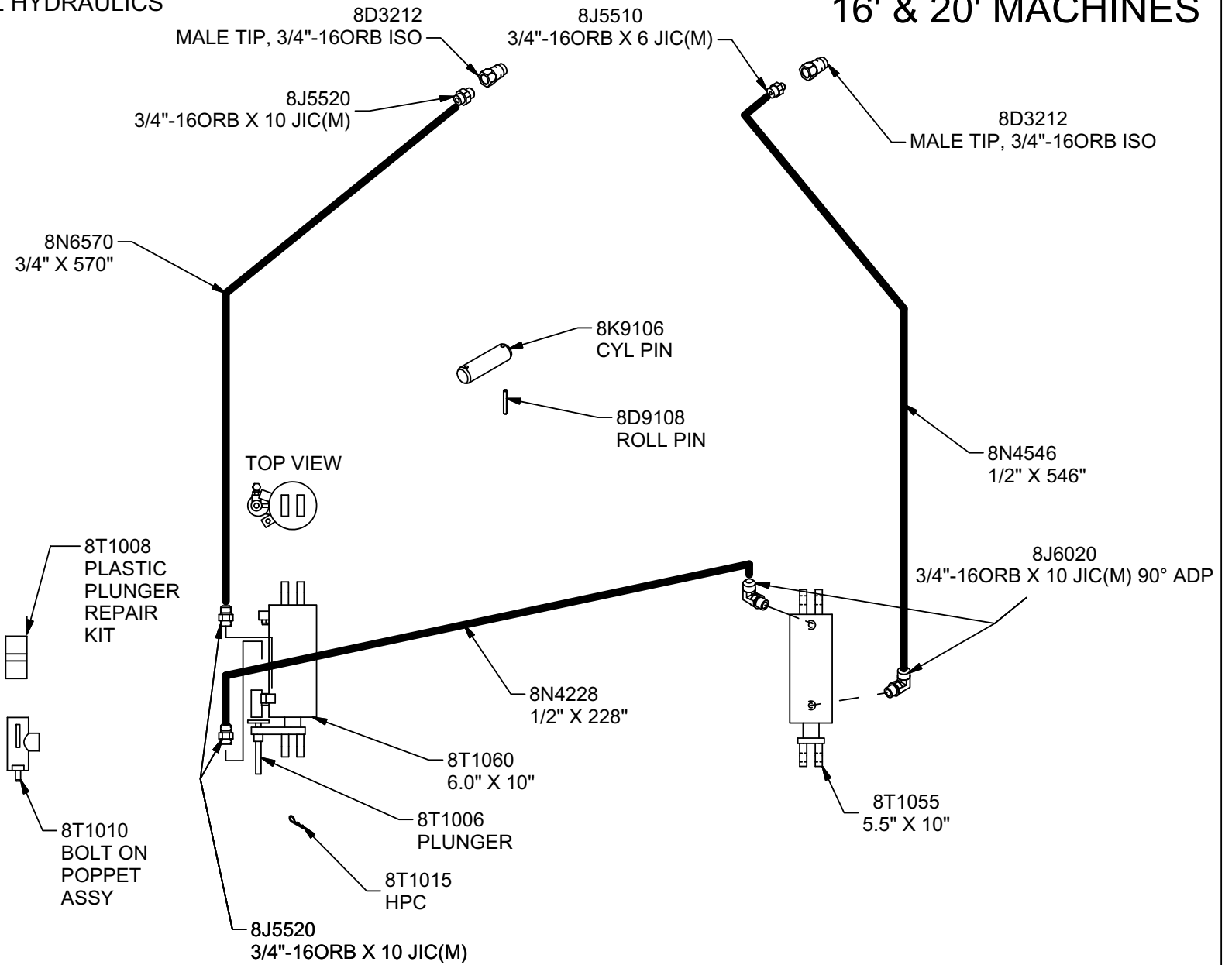
16' & 20' MACHINES



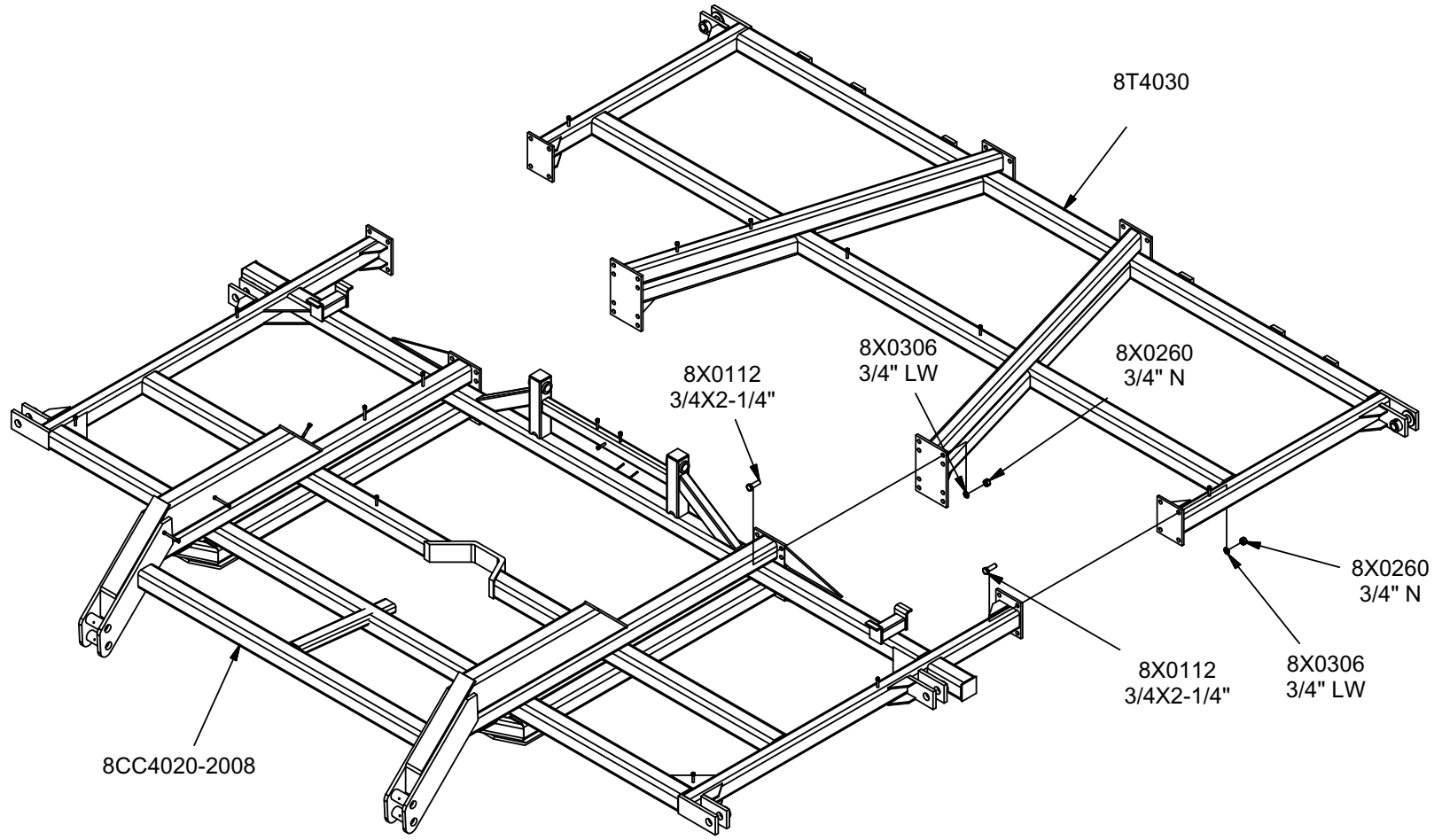
6.20

DEPTH CONTROL HYDRAULICS

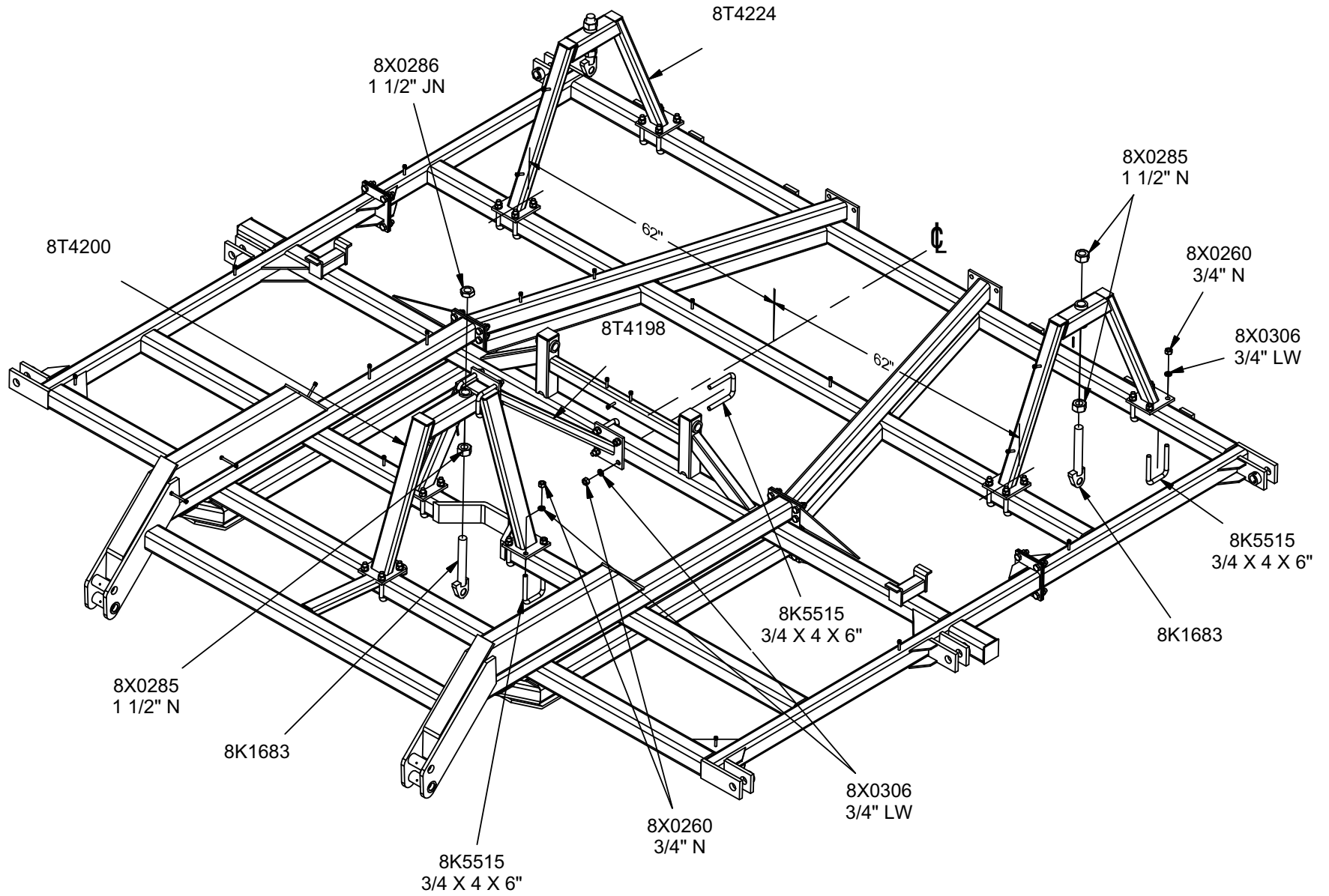
16' & 20' MACHINES



6.21



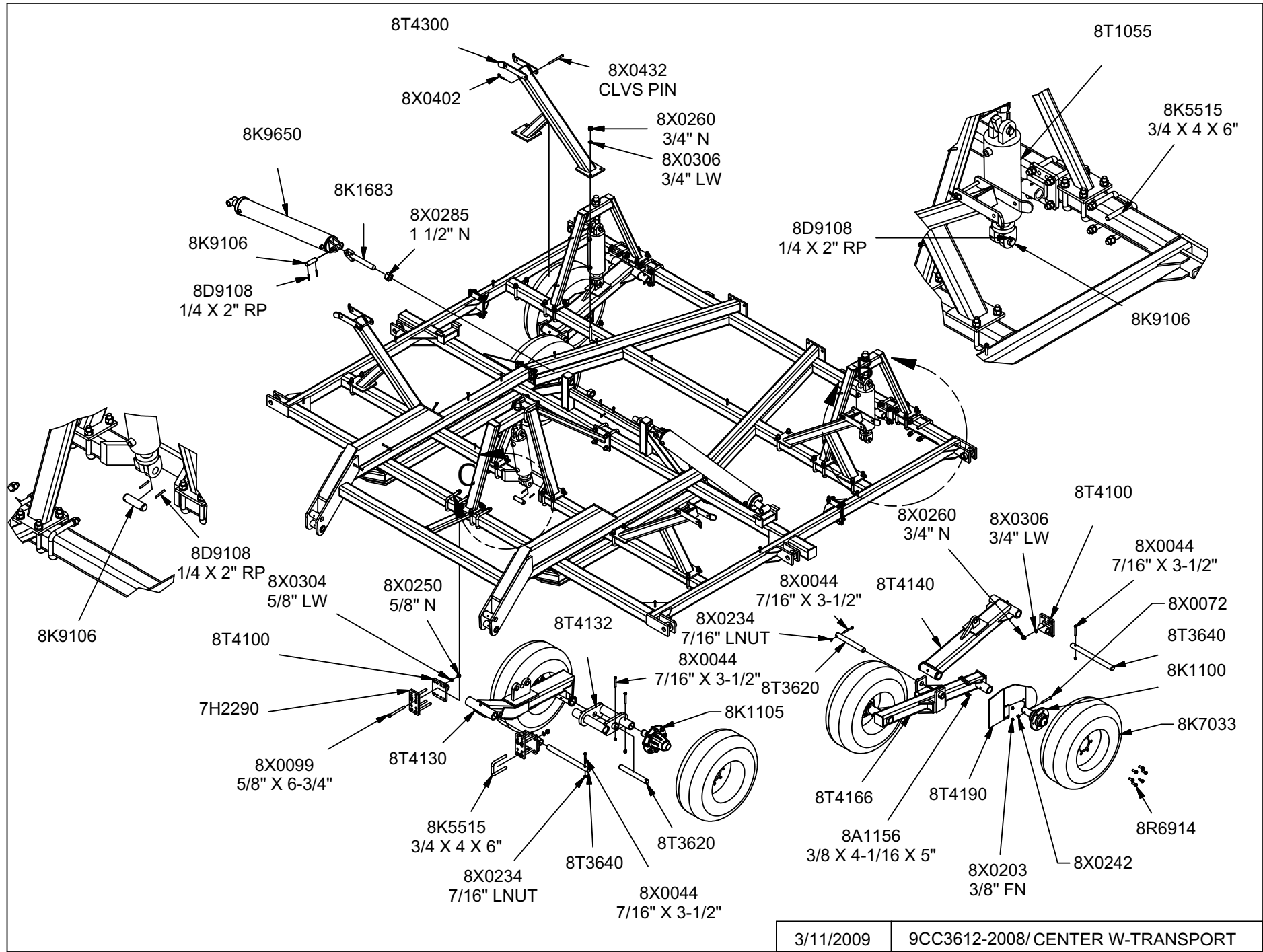
6.23



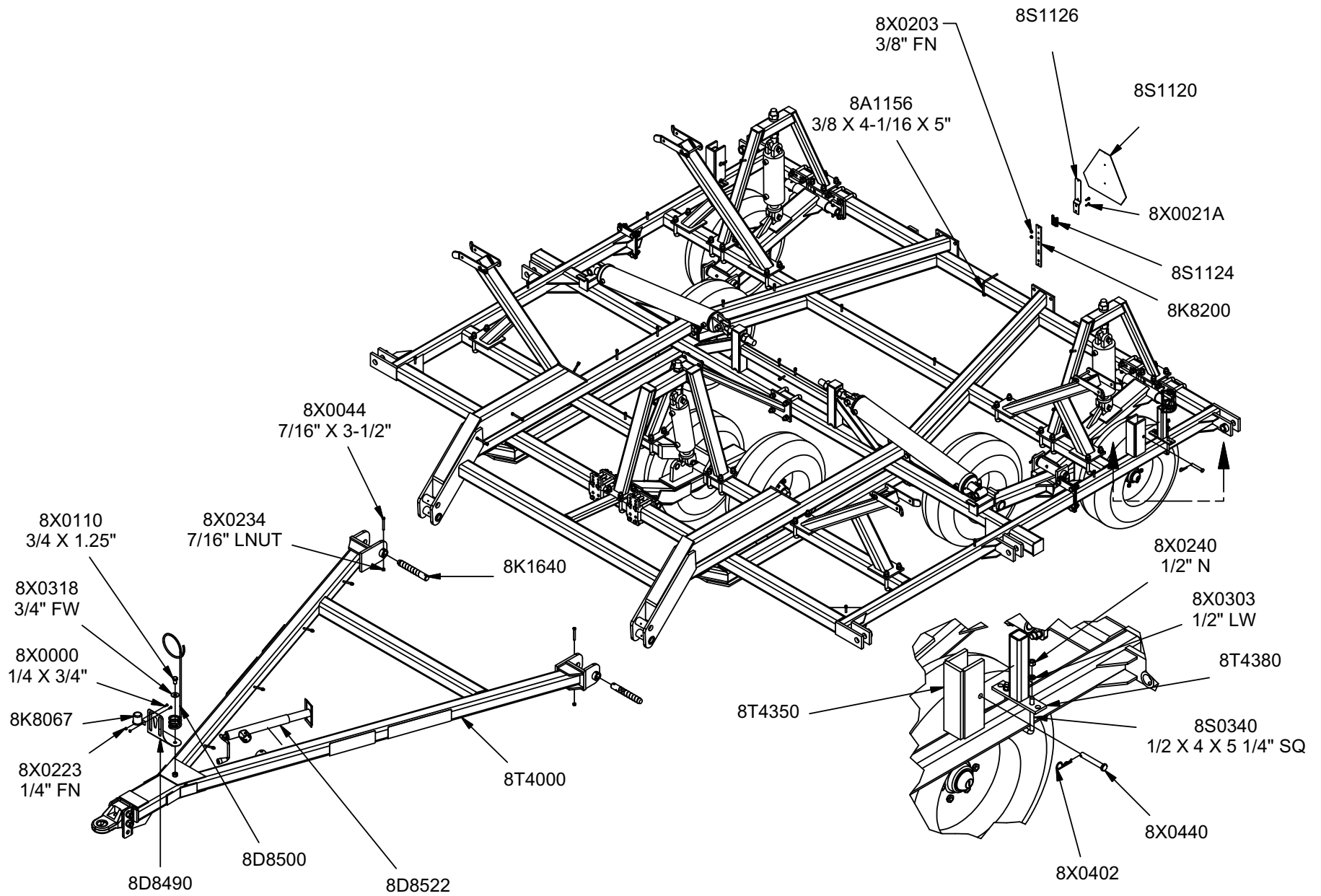
8/30/2007

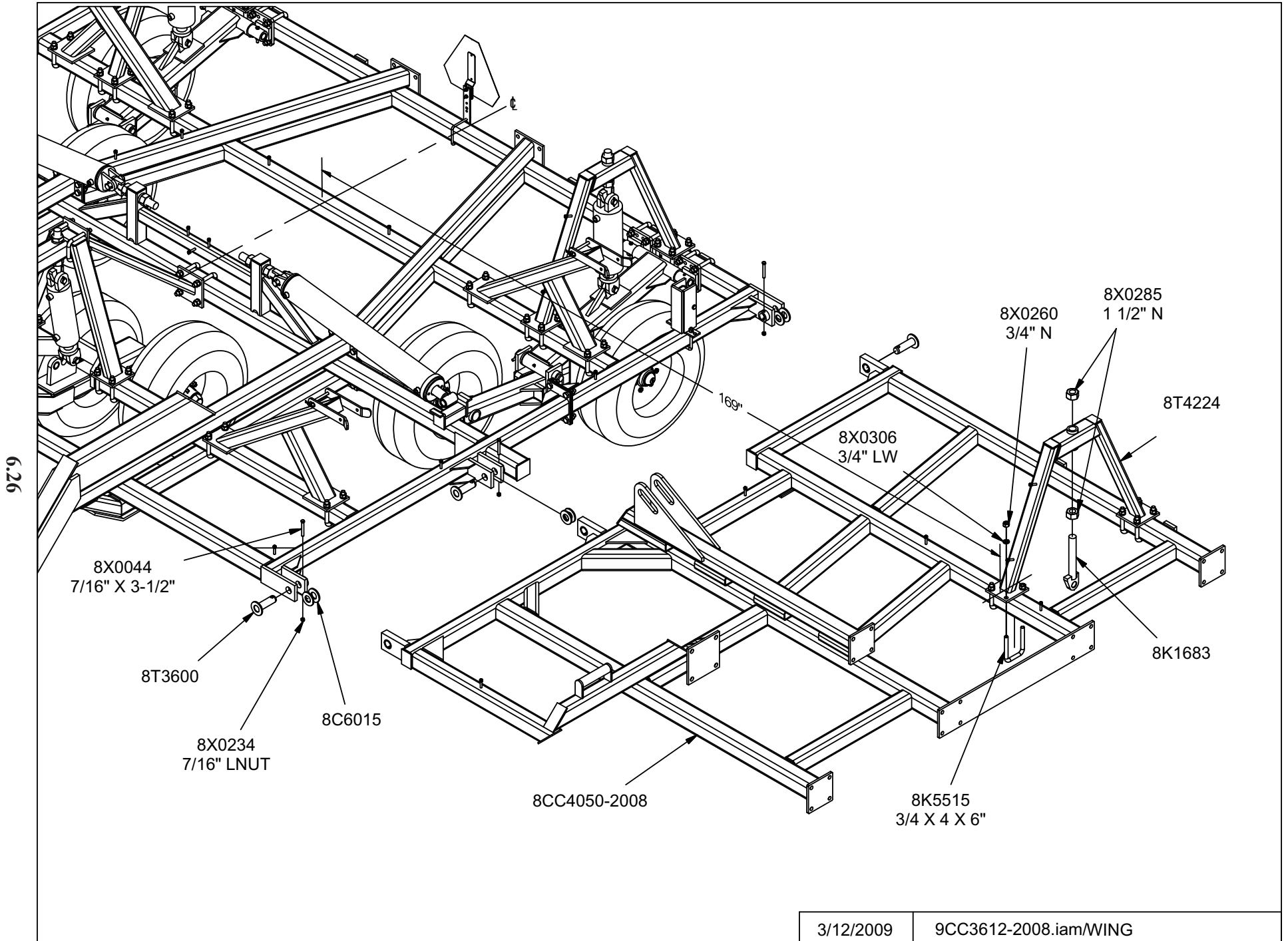
9CC3612-2008/ CENTER W-CYL.ATTCH

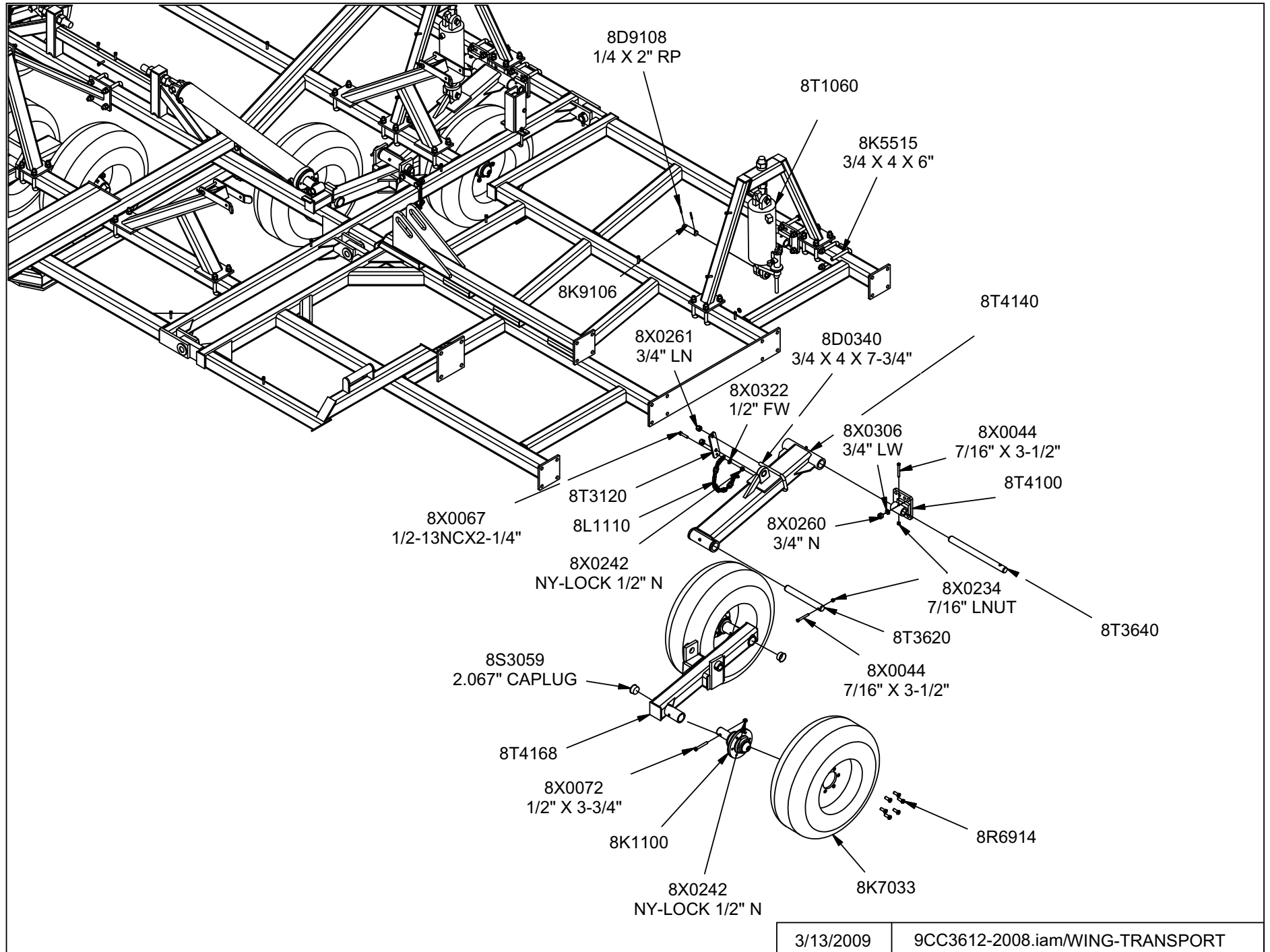
6.24



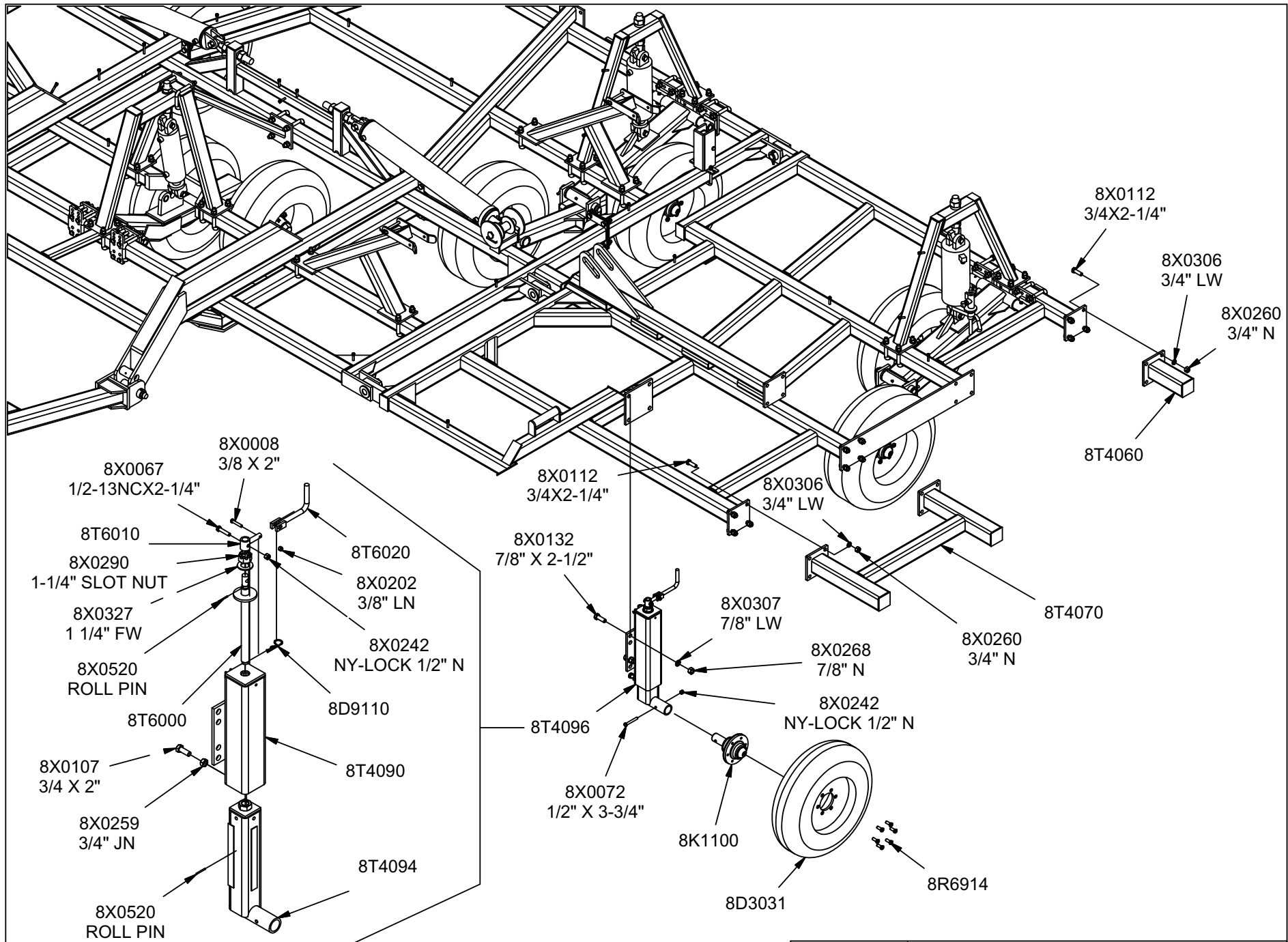
6.25



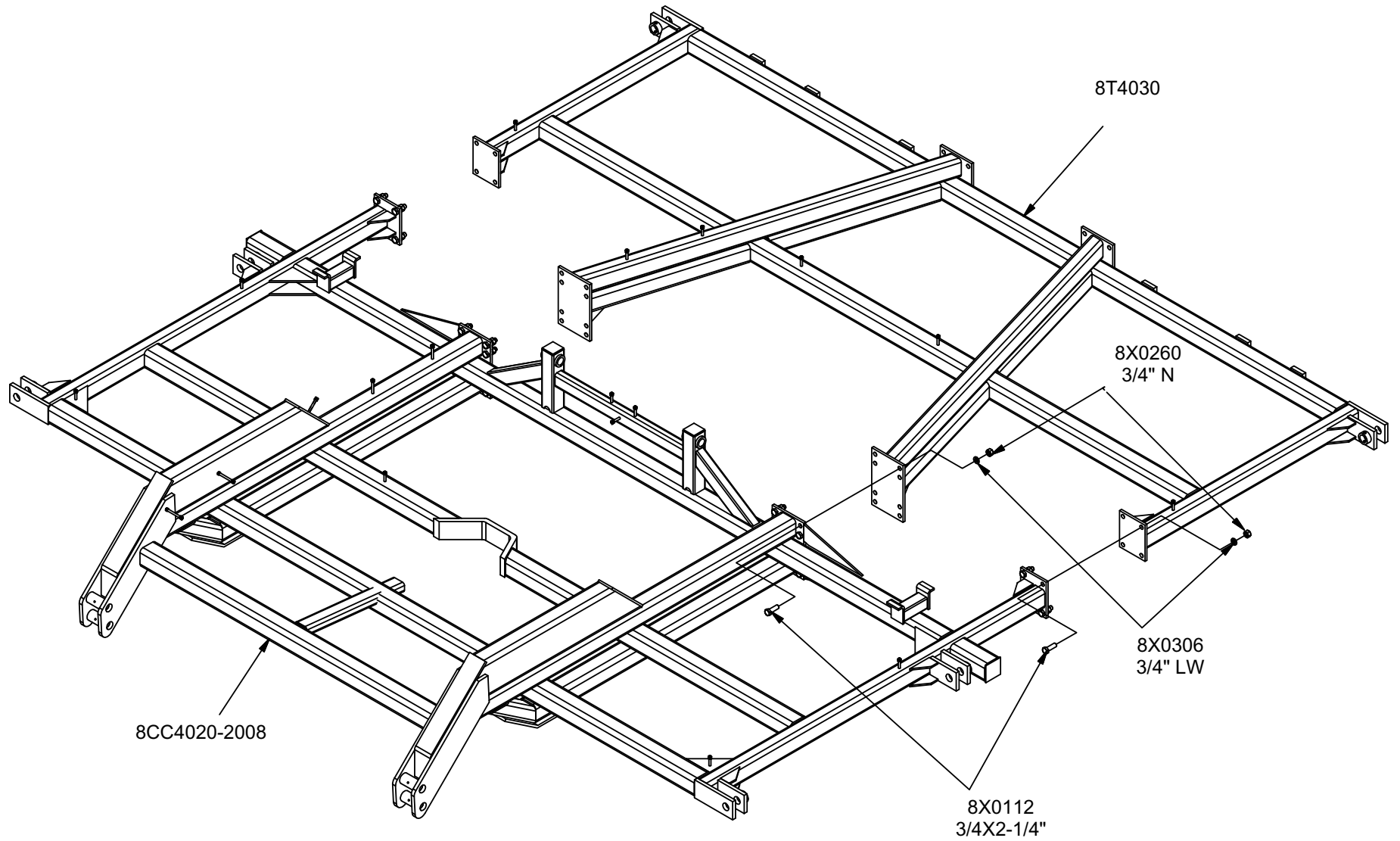




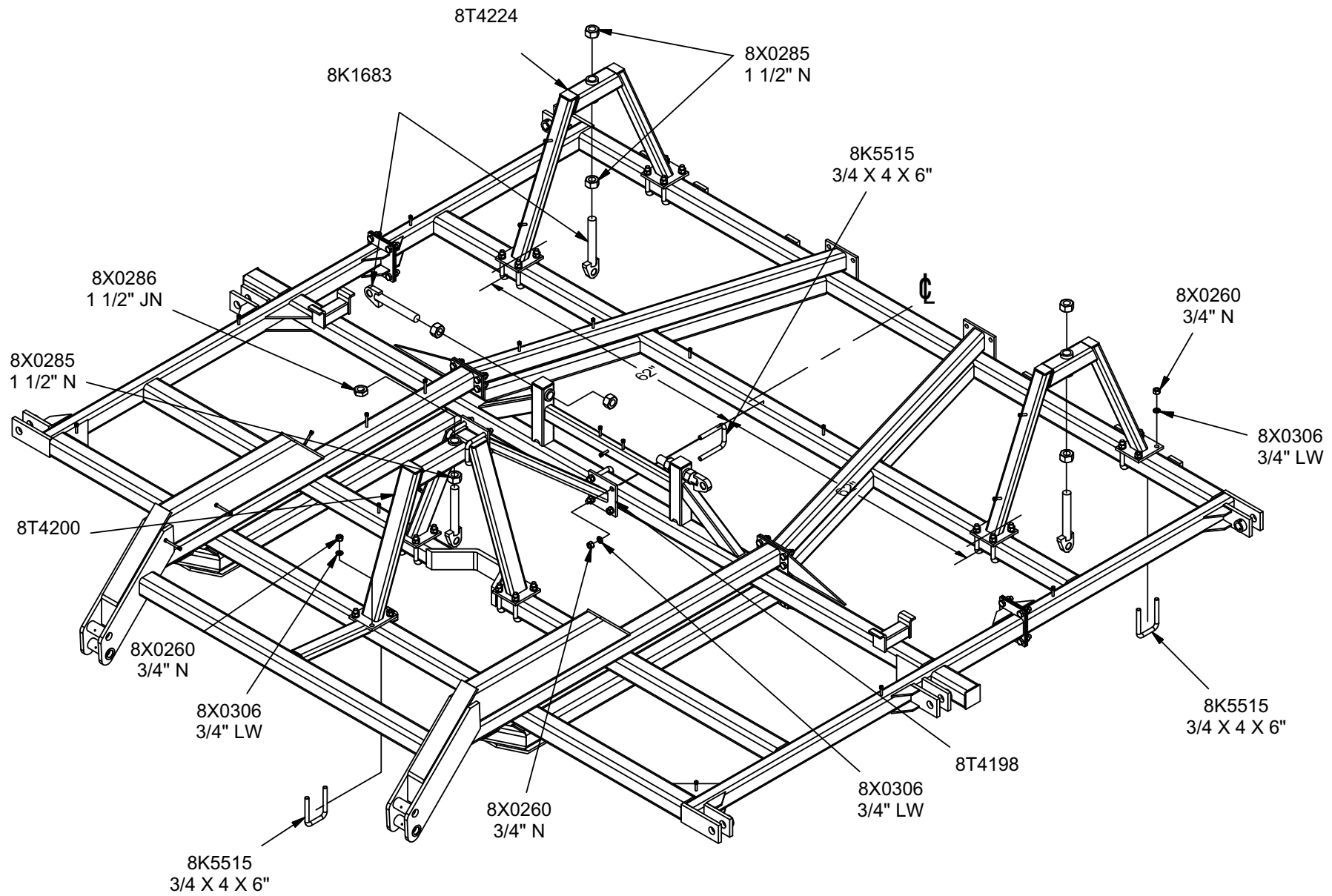
6.28

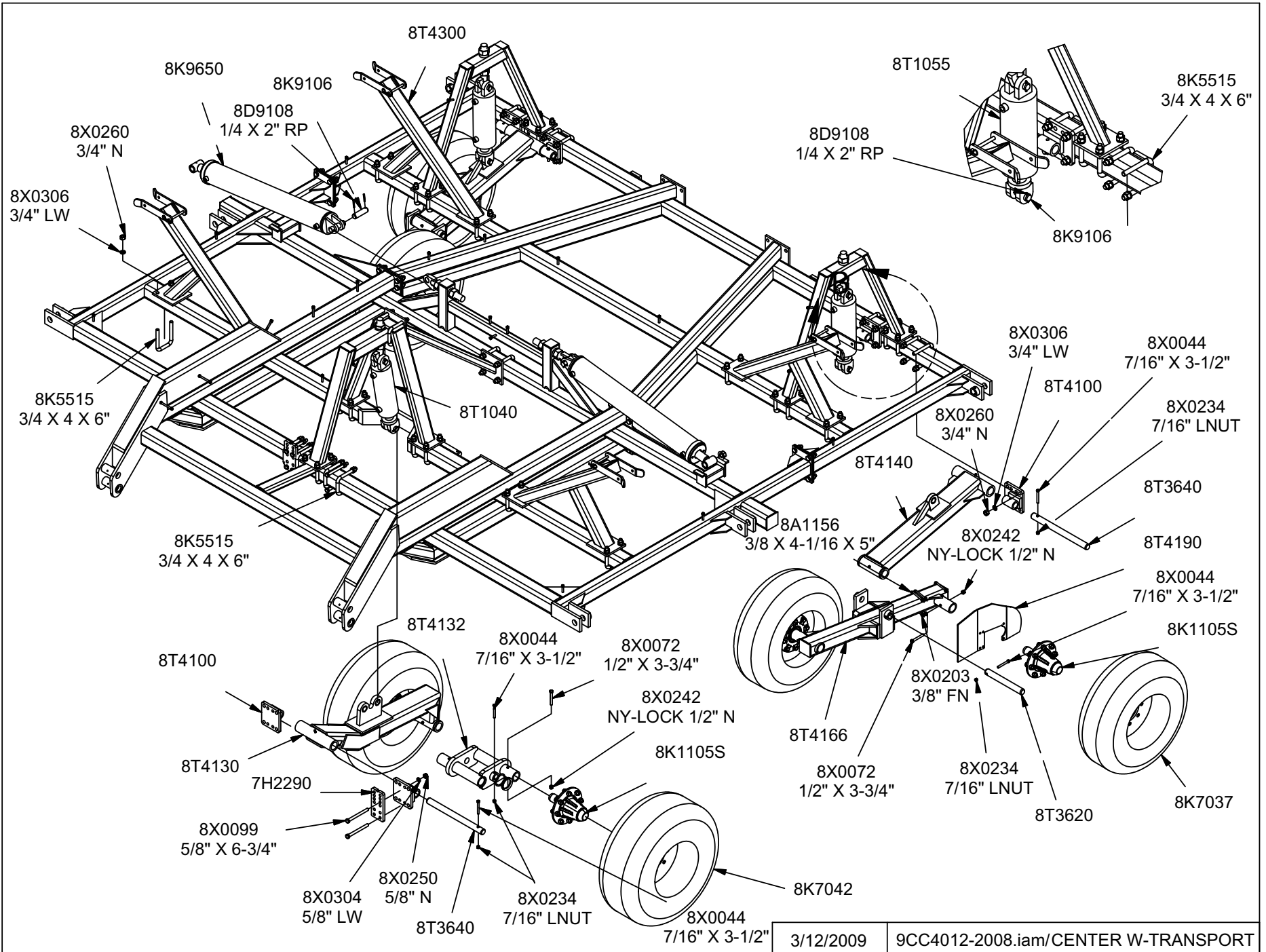


6.29

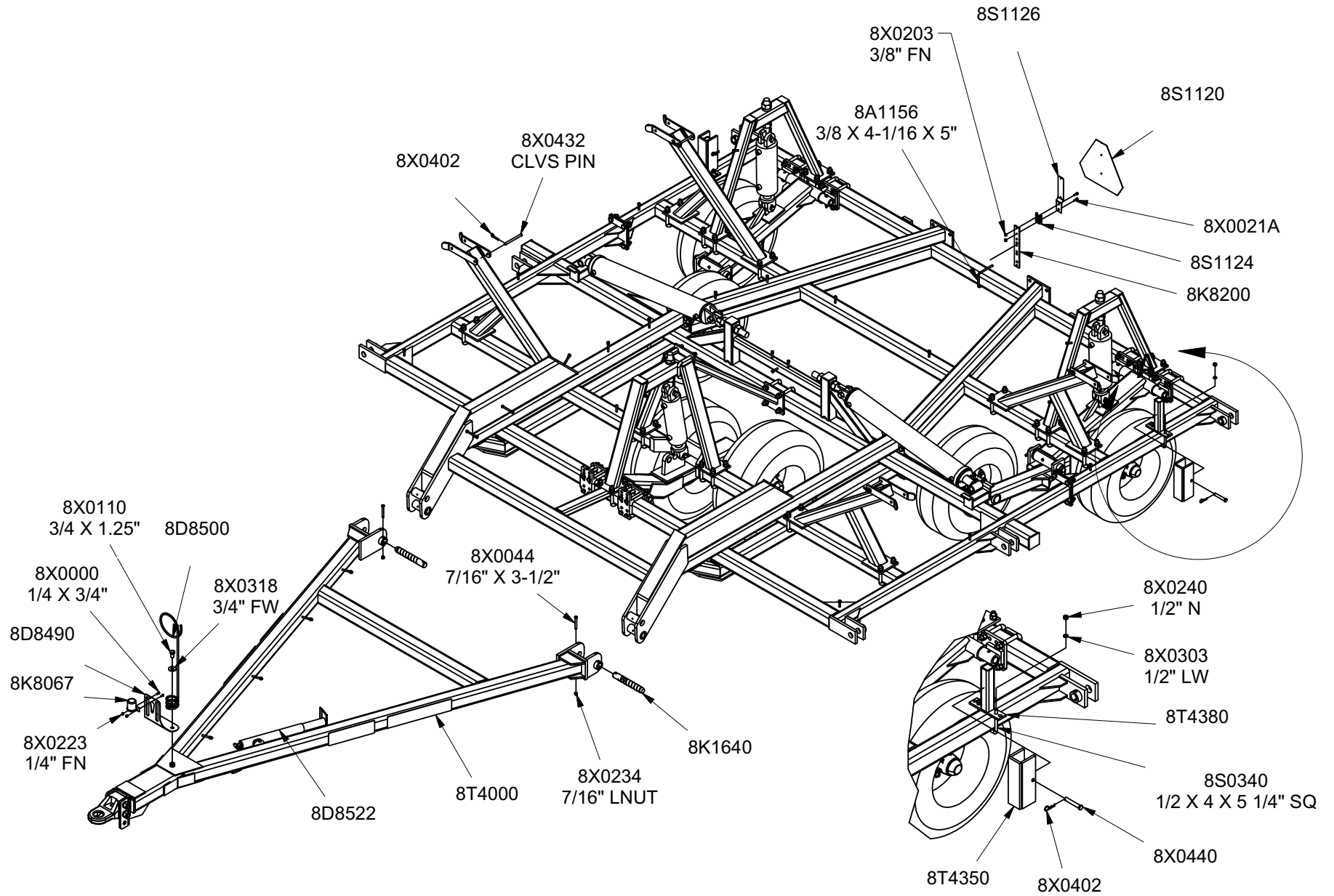


6.30

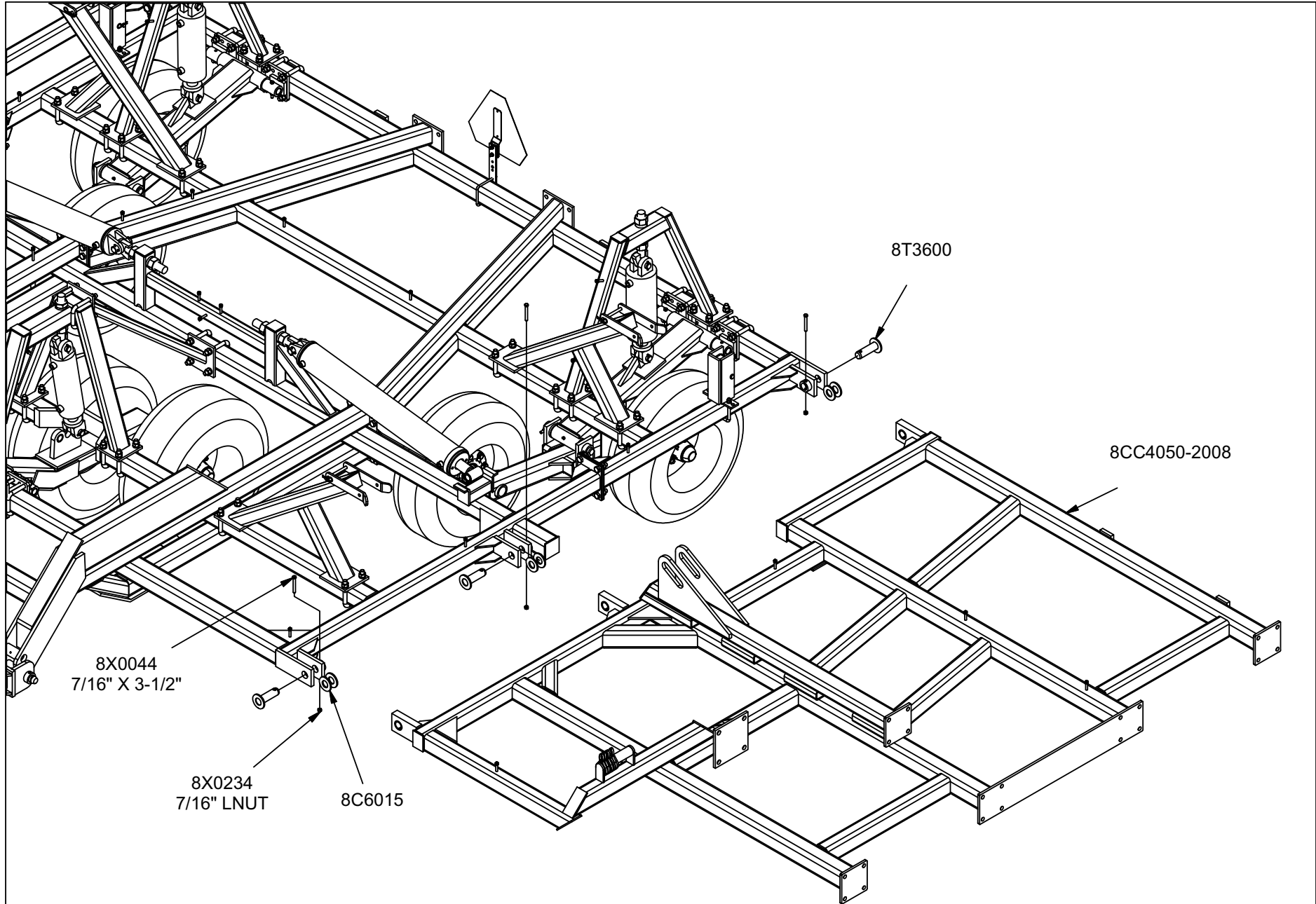


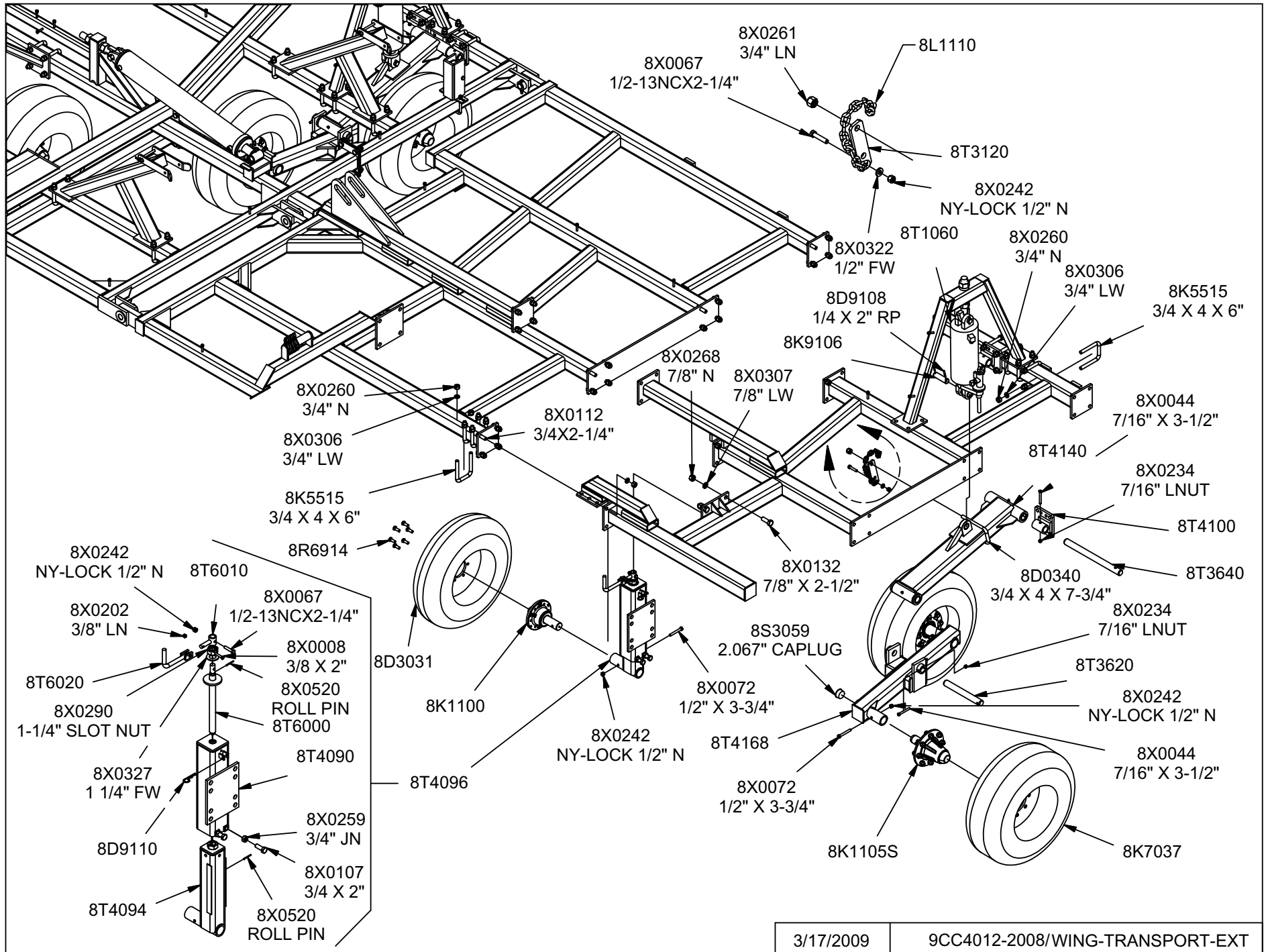


6.32



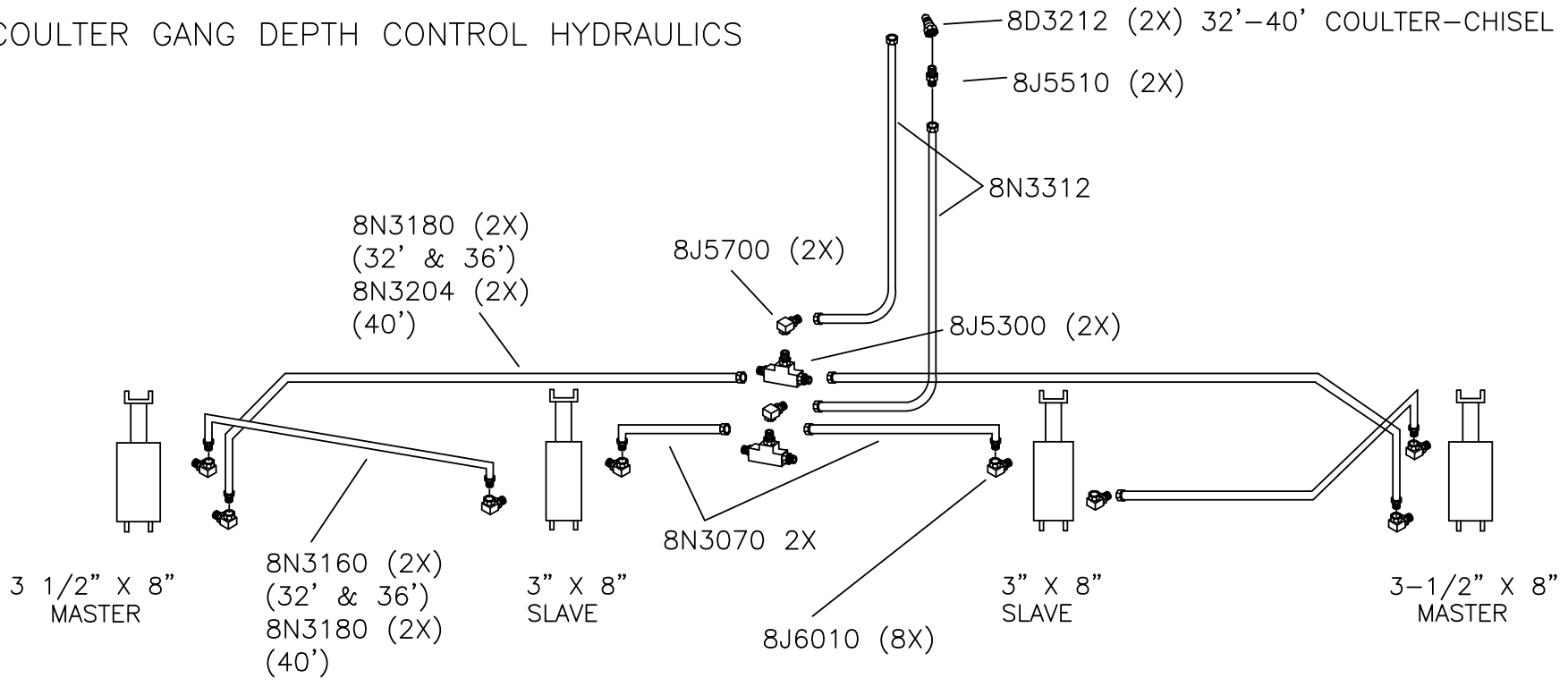
6.33





COULTER GANG DEPTH CONTROL HYDRAULICS

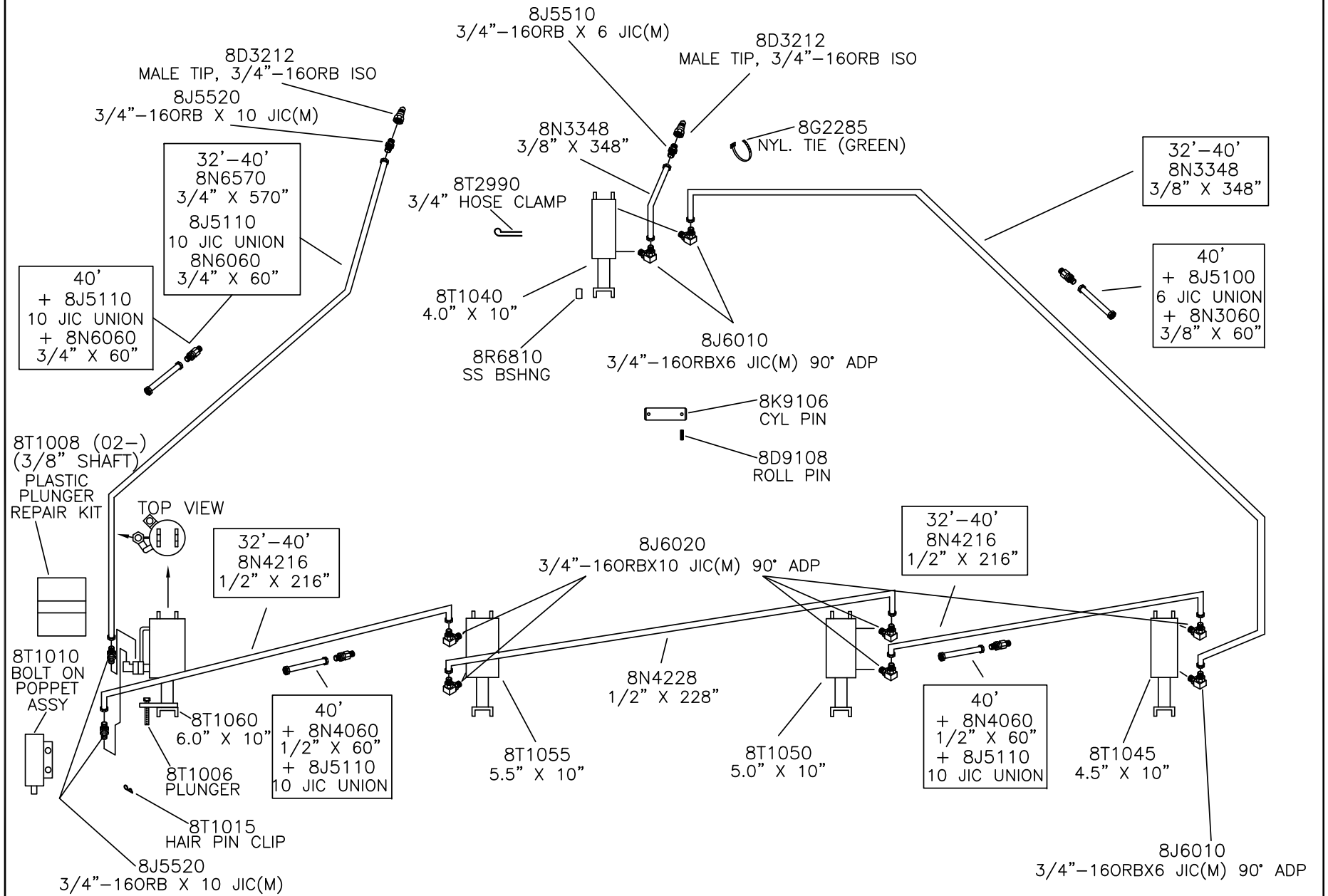
6.35



DEPTH CONTROL HYDRAULICS

32'-40' COULTER-CHISEL

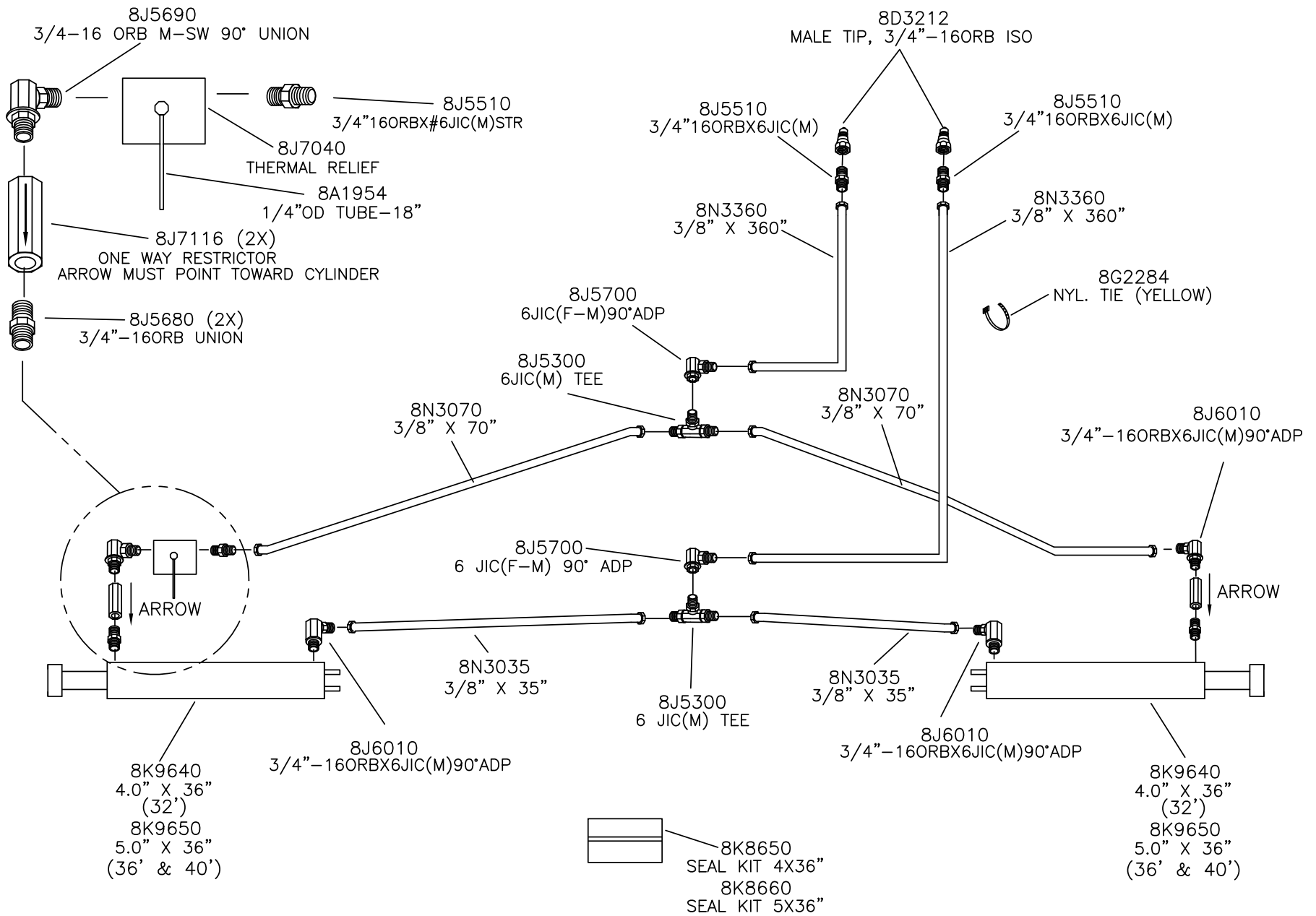
6.36



WING LIFT HYDRAULICS

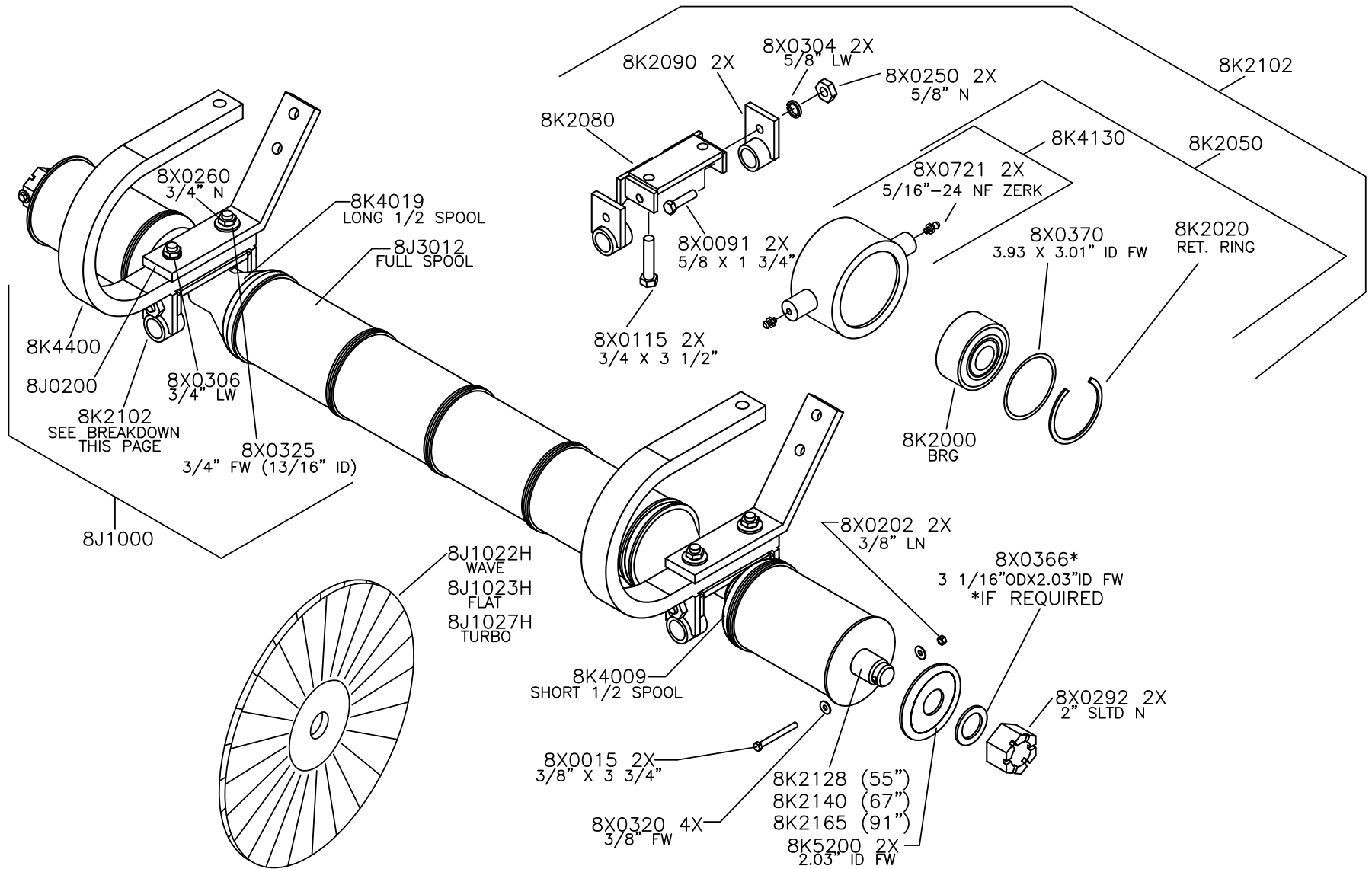
32'-40' COULTER-CHISEL WING

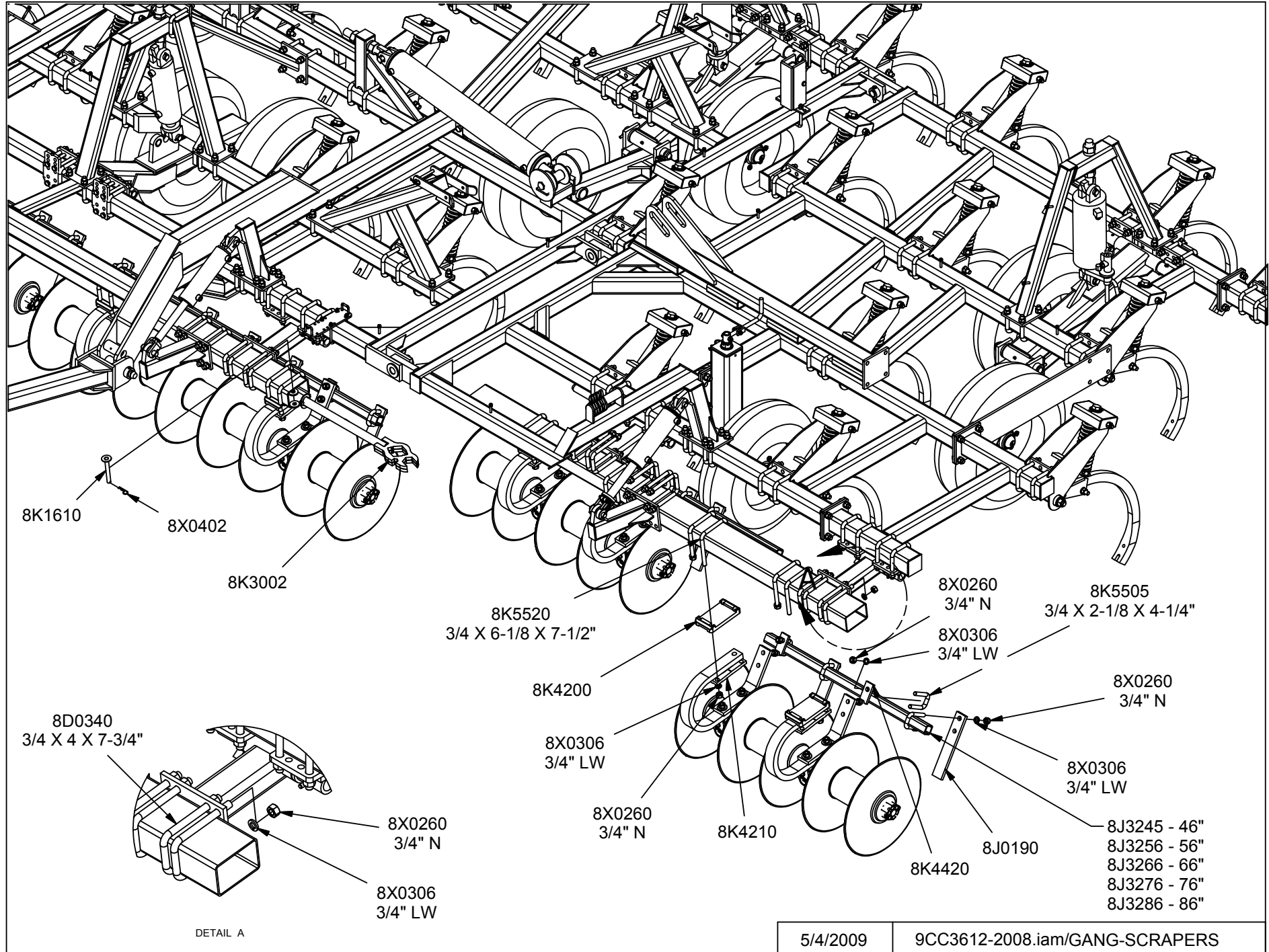
6.37



COULTER-CHISEL GANG ASSEMBLIES

6.38

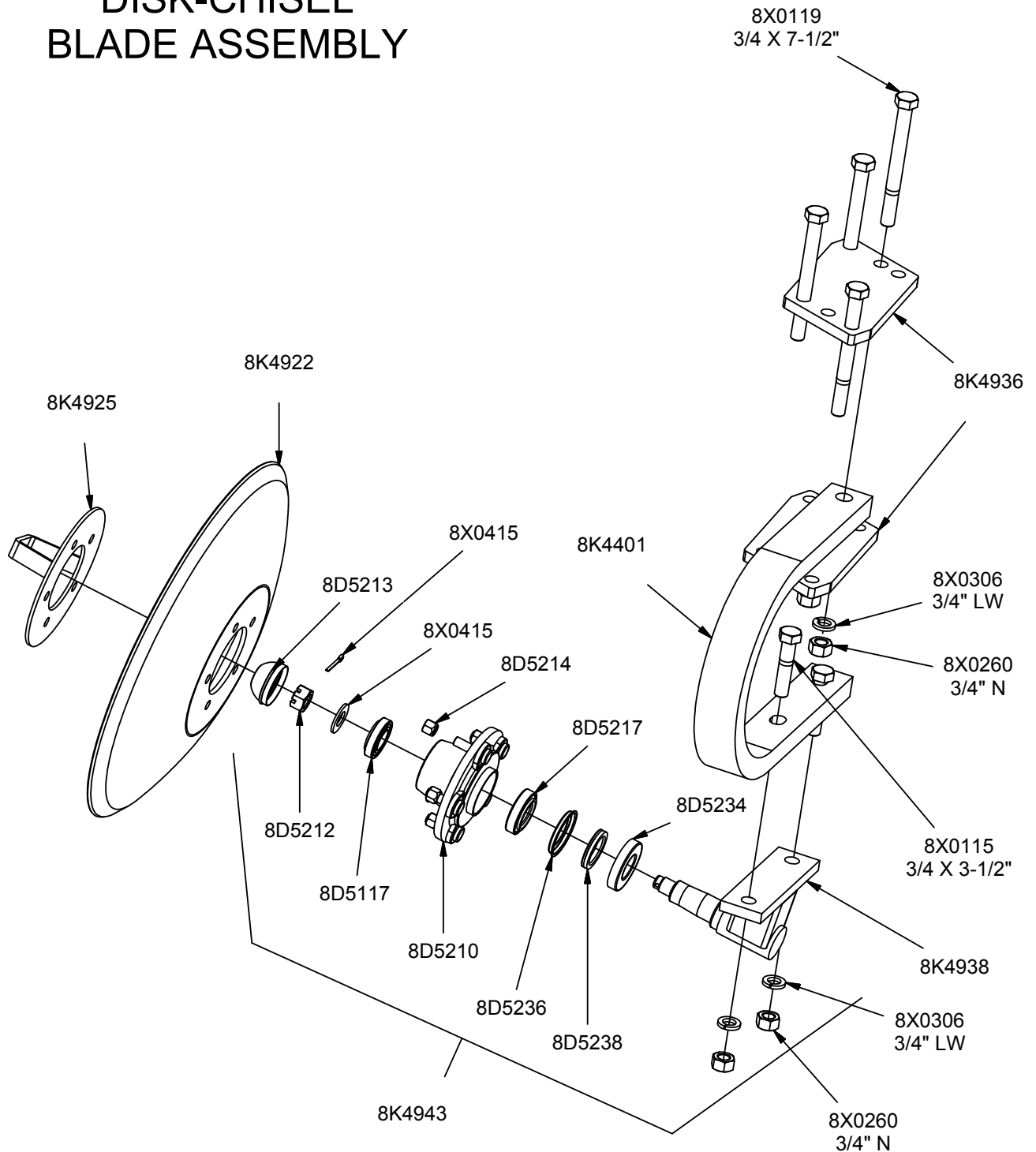




5/4/2009

9CC3612-2008.iam/GANG-SCRAPERS

DISK-CHISEL BLADE ASSEMBLY

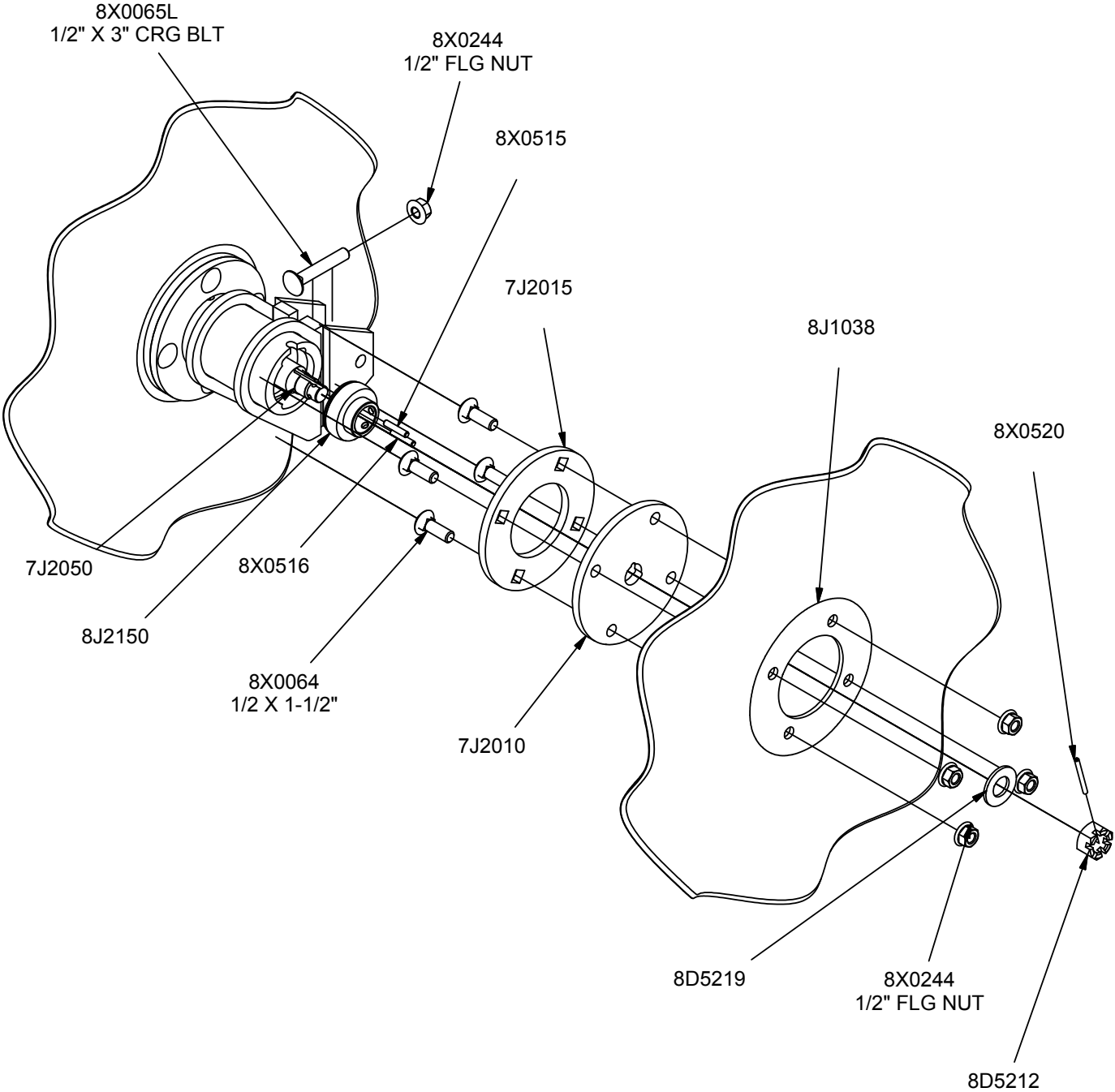


NOTE: ASSEMBLY ABOVE IS FOR LEFT SIDE OF DISK-CHISEL. FOR RIGHT SIDE ASSEMBLY: ROTATE HUB ASSEMBLY 180 DEGREES AND FLIP BOLT PLATES OVER.

4/22/2009

9DC1612H.iam/BLADE ASSEMBLY

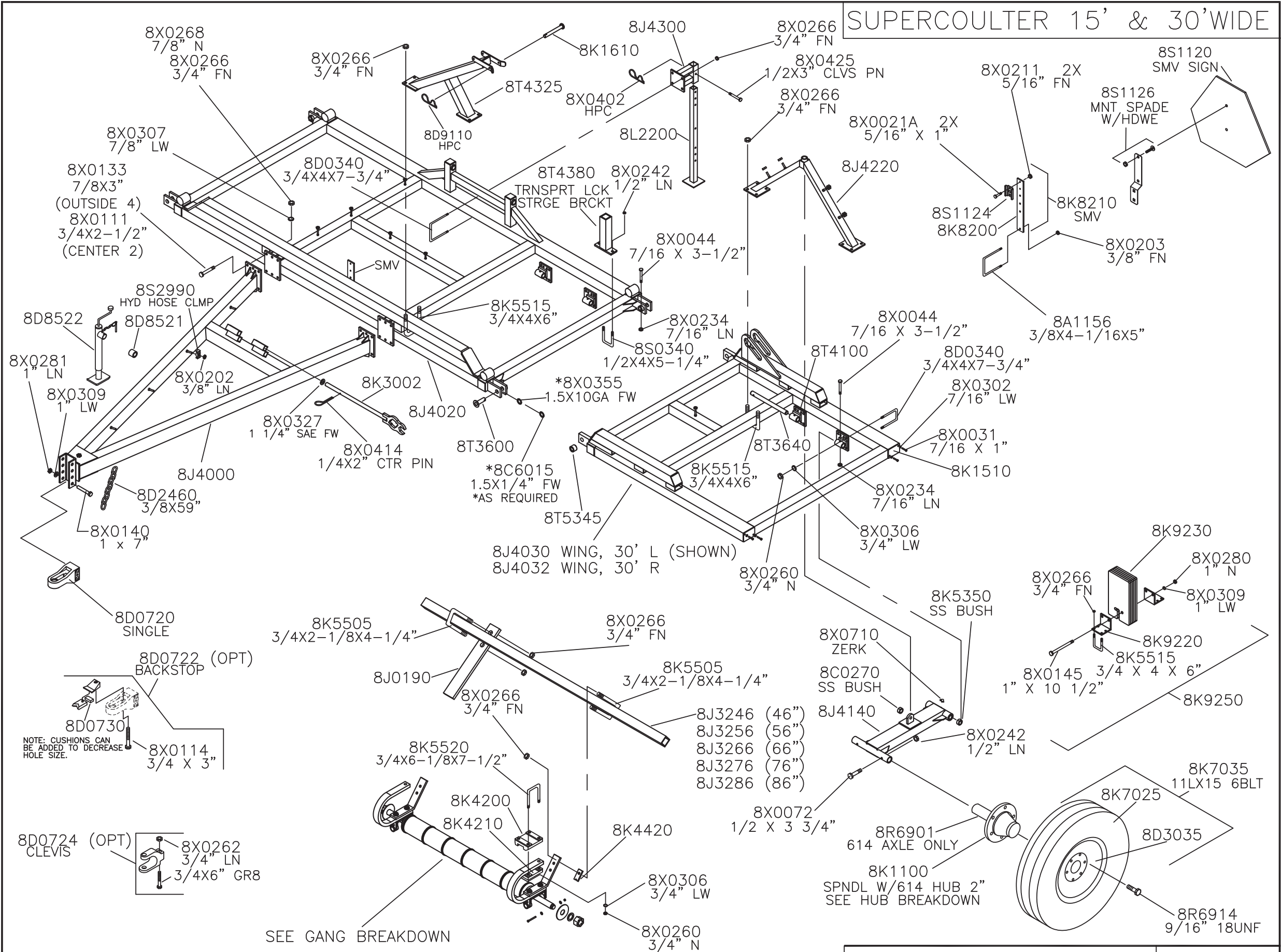
TWIN COULTER ASSEMBLY



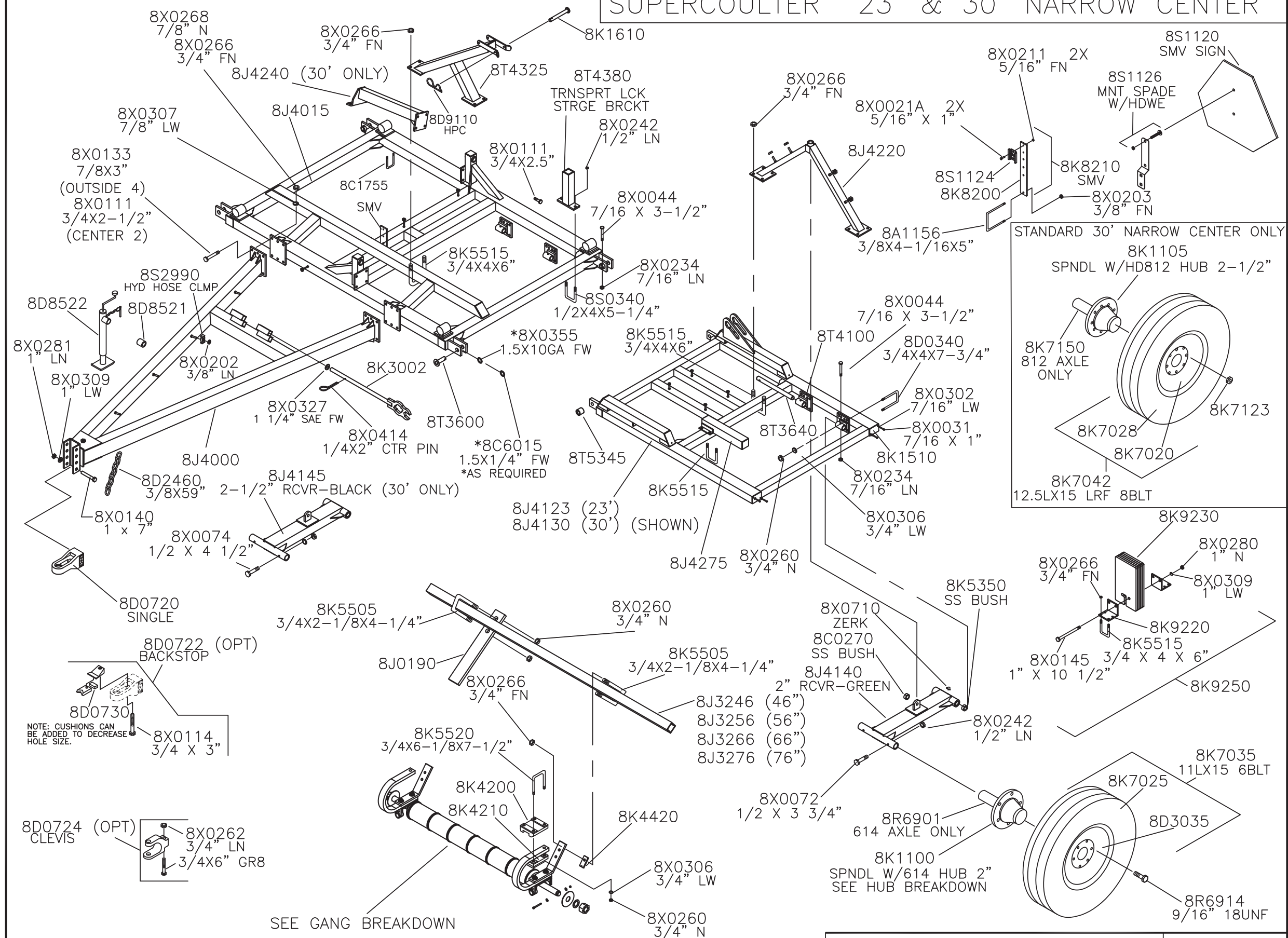
SUPERCOUNTER PLUS

15' & 30' Wide	7.1
23' & 30' Narrow	7.2
40'	7.3
15', 30' Standard and 30' Heavy Duty Hydraulics	7.4
23' Narrow Center Hydraulics	7.5
30' Narrow Center Hydraulics	7.6
40' Hydraulics	7.7
23' & 30' Narrow Center Wing Fold Hydraulics	7.8
30' Standard, 30' Heavy Duty & 40' Wing Fold Hydraulics	7.9
Gang Assemblies	7.10
Light Mounting Kit	7.11
Hydraulic Adjustable Hitch	7.12
Rear Hitch	7.13

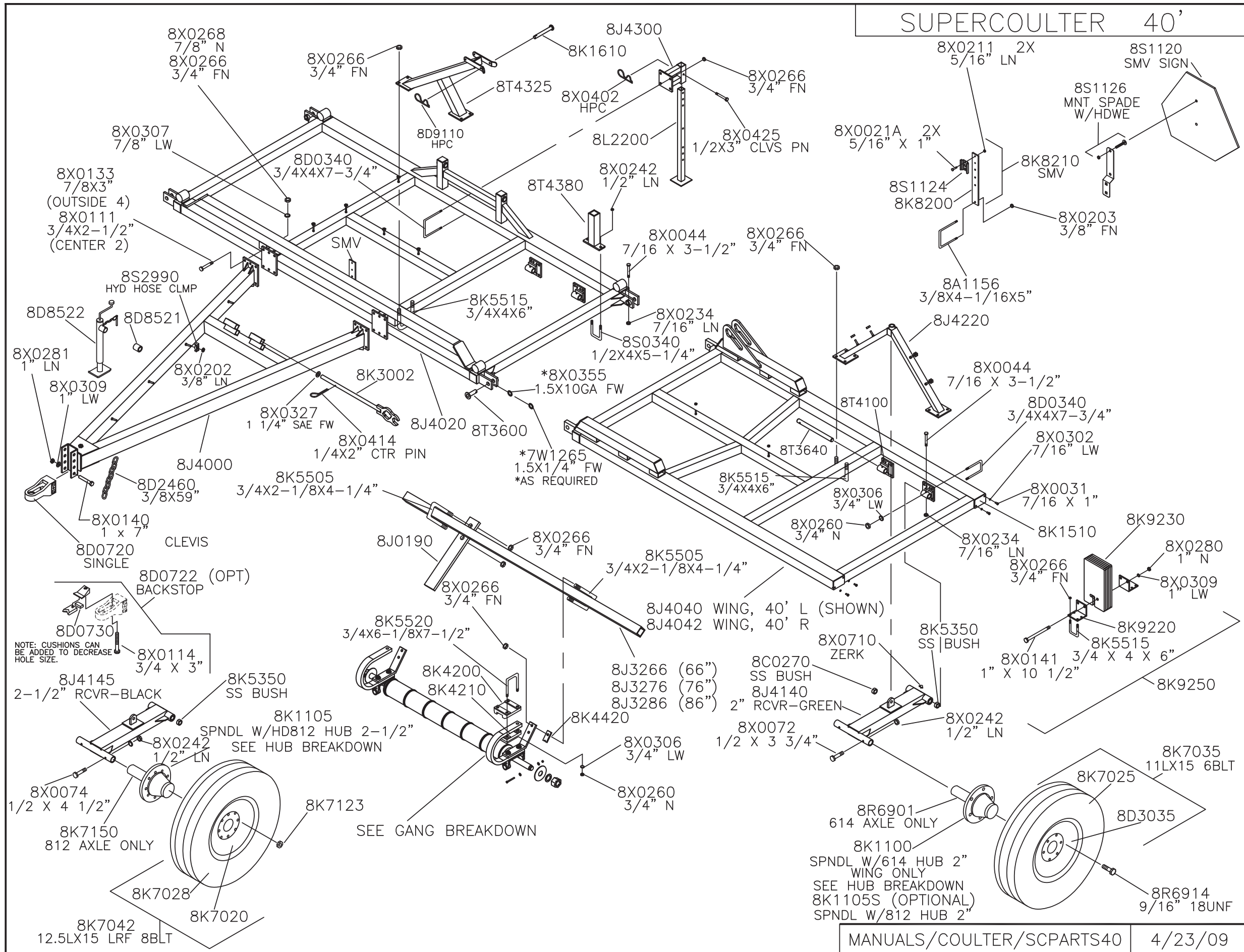
SUPERCOUNTER 15' & 30' WIDE



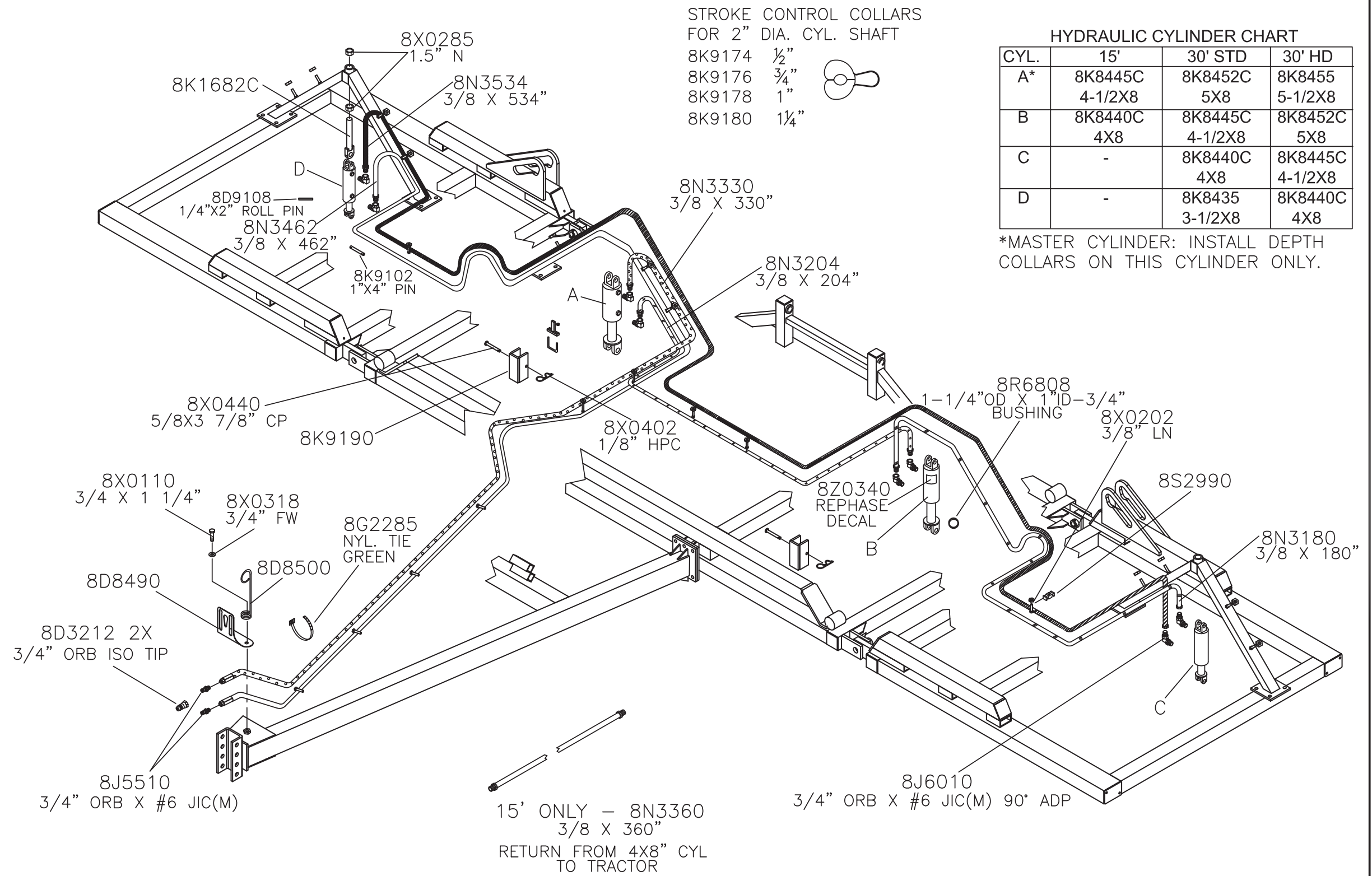
SUPERCOUNTER 23' & 30' NARROW CENTER



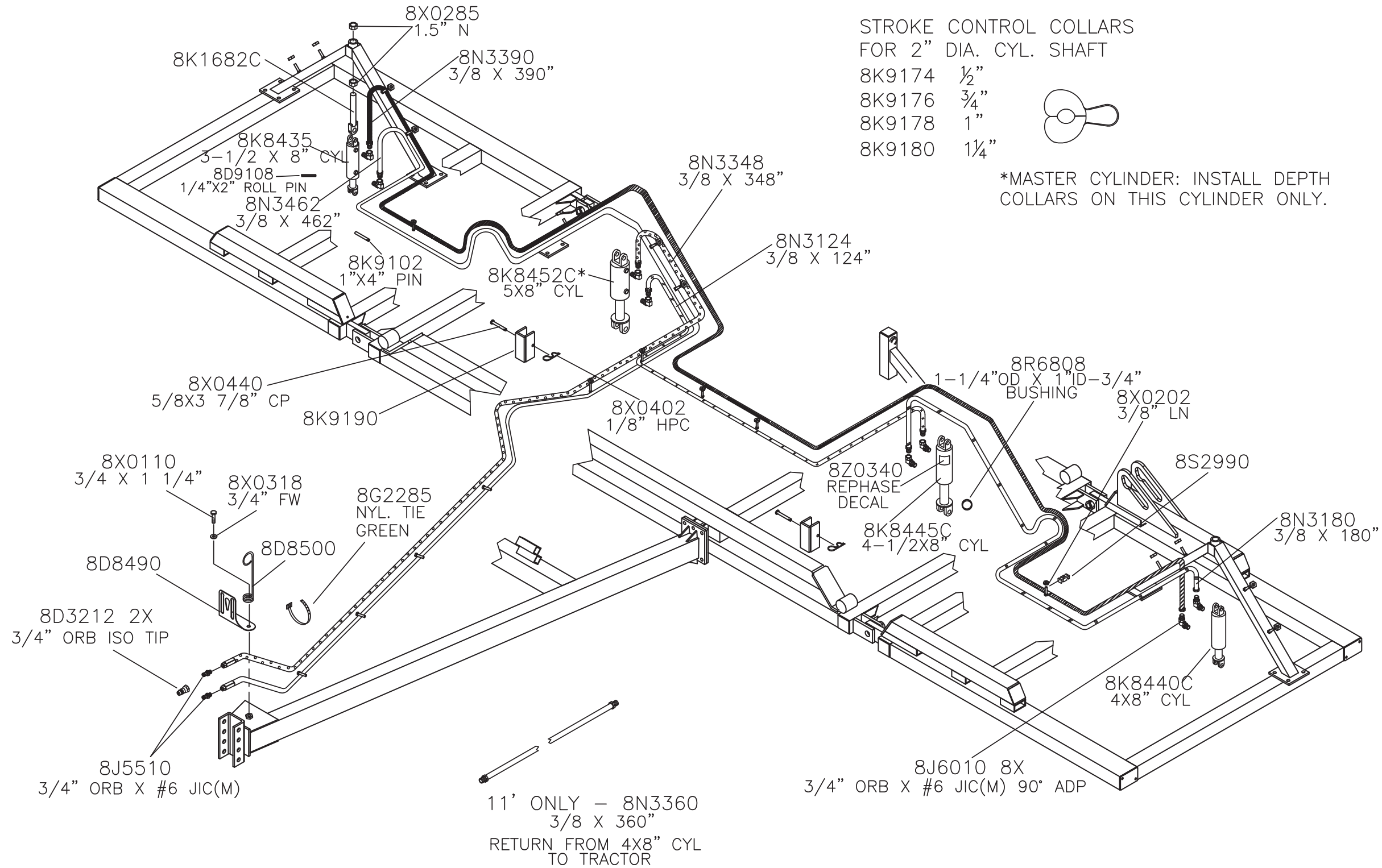
SUPERCOUNTER 40'



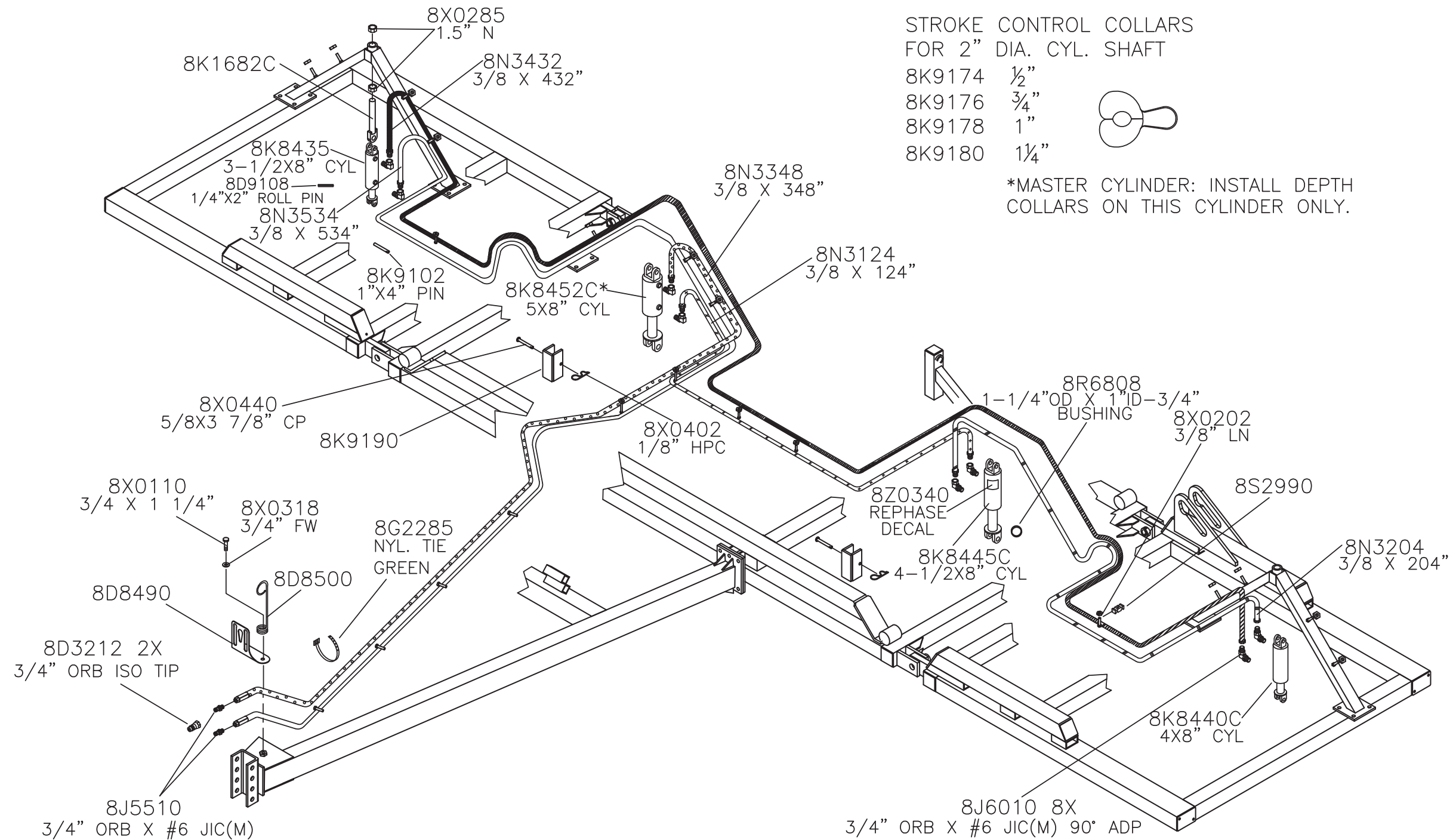
SUPERCOUNTER WIDE CENTER HYDRAULICS 15', 30' STD and 30' HD



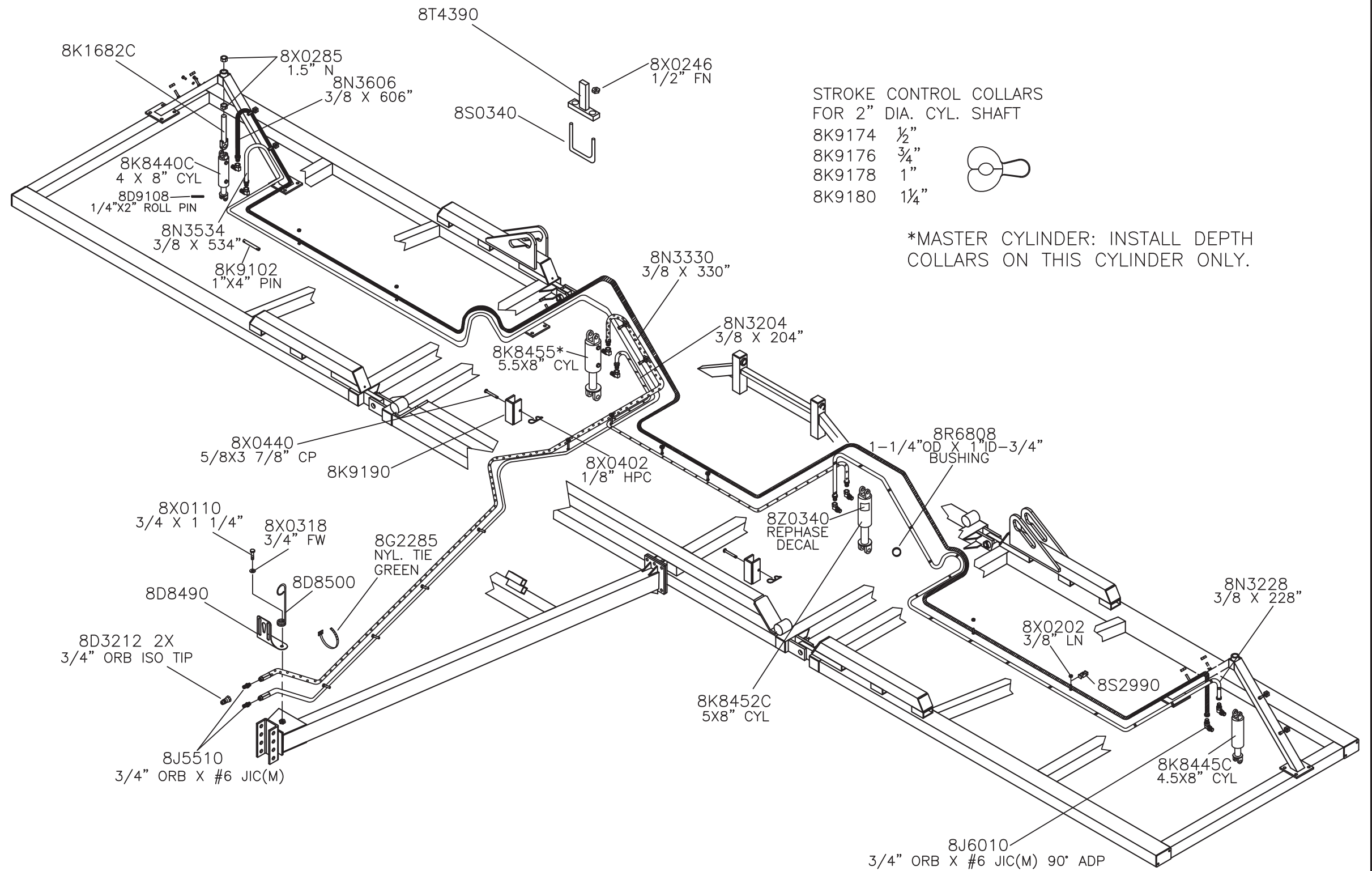
SUPERCOUNTER HYDRAULICS 23' NARROW CENTER



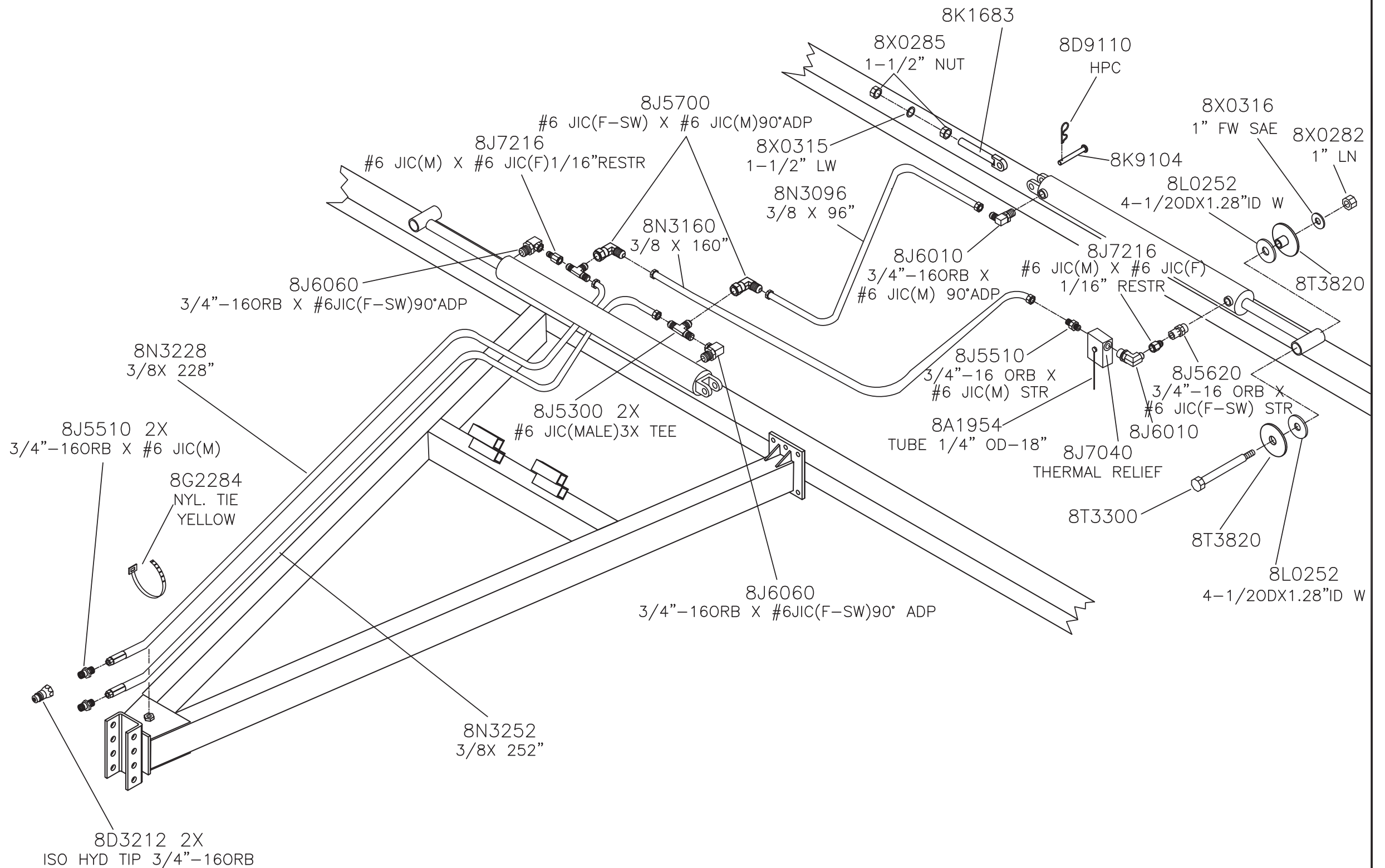
SUPERCOUNTER HYDRAULICS 30' NARROW CENTER



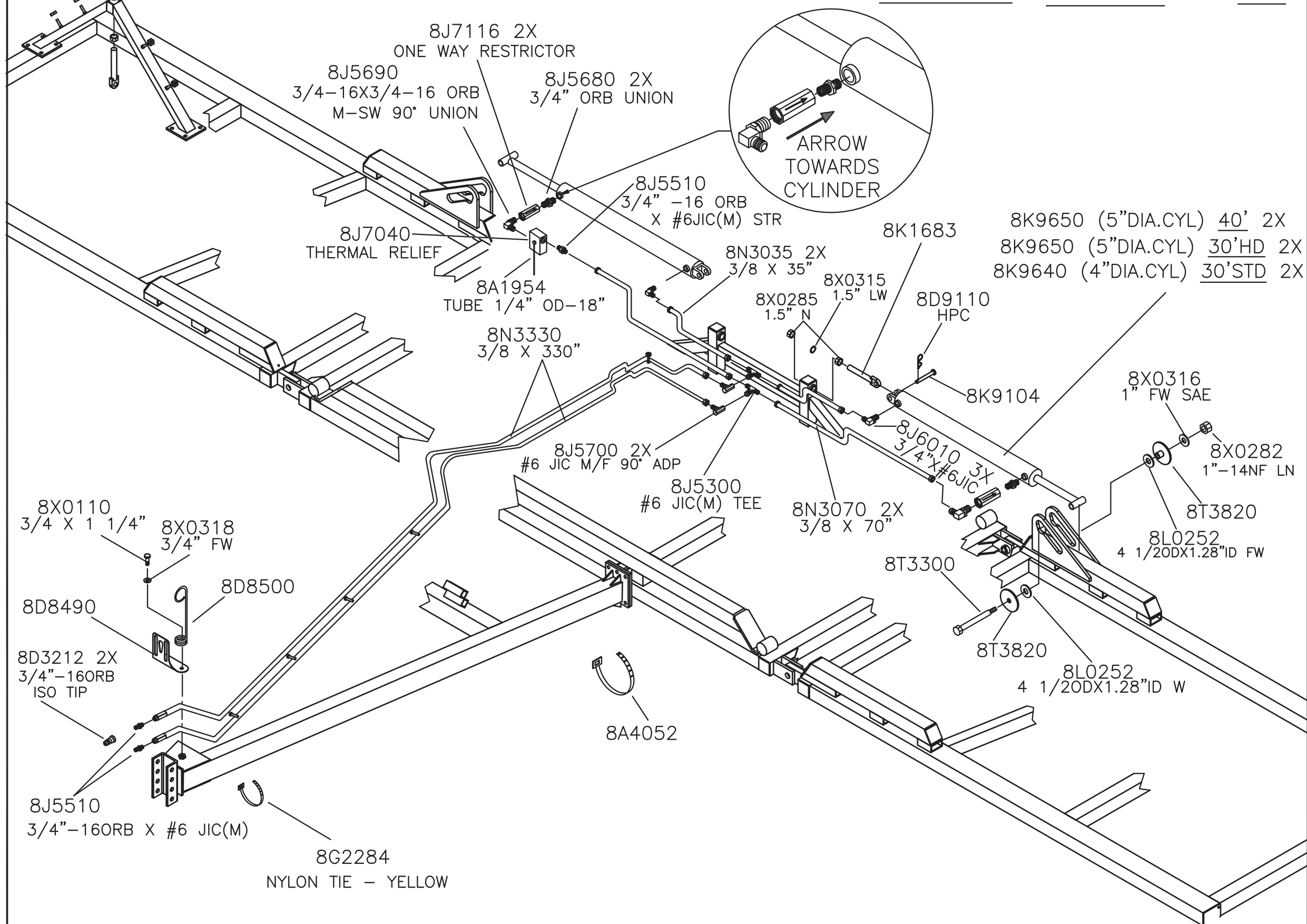
SUPERCOUNTER HYDRAULICS 40'



WING FOLD HYDRAULICS 23' & 30' NARROW CENTER



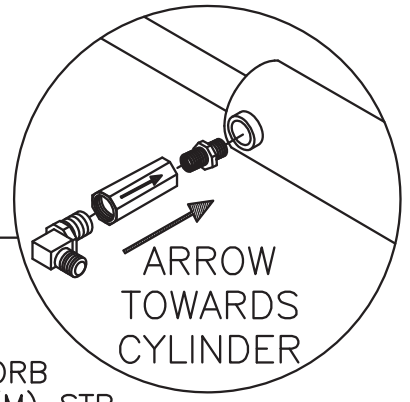
SUPER COULTER WING LIFT HYDRAULICS 30' STD, 30' HD & 40'



8J7116 2X
ONE WAY RESTRICTOR

8J5690
3/4-16X3/4-16 ORB
M-SW 90° UNION

8J5680 2X
3/4" ORB UNION



8K9650 (5"DIA.CYL) 40' 2X
8K9650 (5"DIA.CYL) 30'HD 2X
8K9640 (4"DIA.CYL) 30'STD 2X

8X0110
3/4 X 1 1/4"

8X0318
3/4" FW

8D8490

8D8500

8D3212 2X
3/4"-16ORB
ISO TIP

8A1954
TUBE 1/4" OD-18"

8N3330
3/8 X 330"

8J5510
3/4" -16 ORB
X #6JIC(M) STR

8N3035 2X
3/8 X 35"

8X0285
1.5" N

8X0315
1.5" LW

8J5700 2X
#6 JIC M/F 90° ADP

8J5300
#6 JIC(M) TEE

8N3070 2X
3/8 X 70"

8K1683

8D9110
HPC

8X0316
1" FW SAE

8X0282
1"-14NF LN

8T3820

8L0252
4 1/20DX1.28"ID FW

8J5510
3/4"-16ORB X #6 JIC(M)

8G2284
NYLON TIE - YELLOW

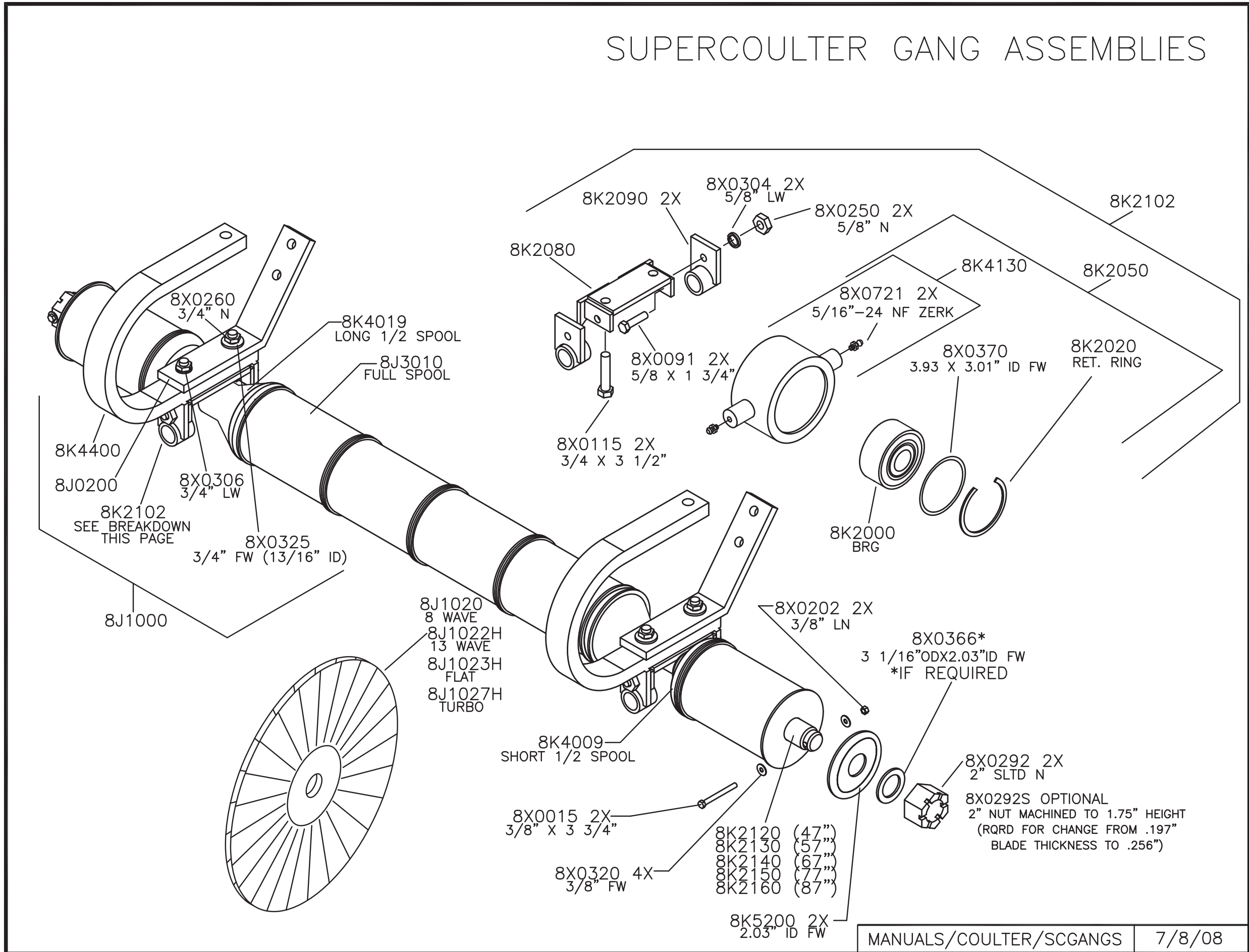
8A4052

8T3300

8T3820

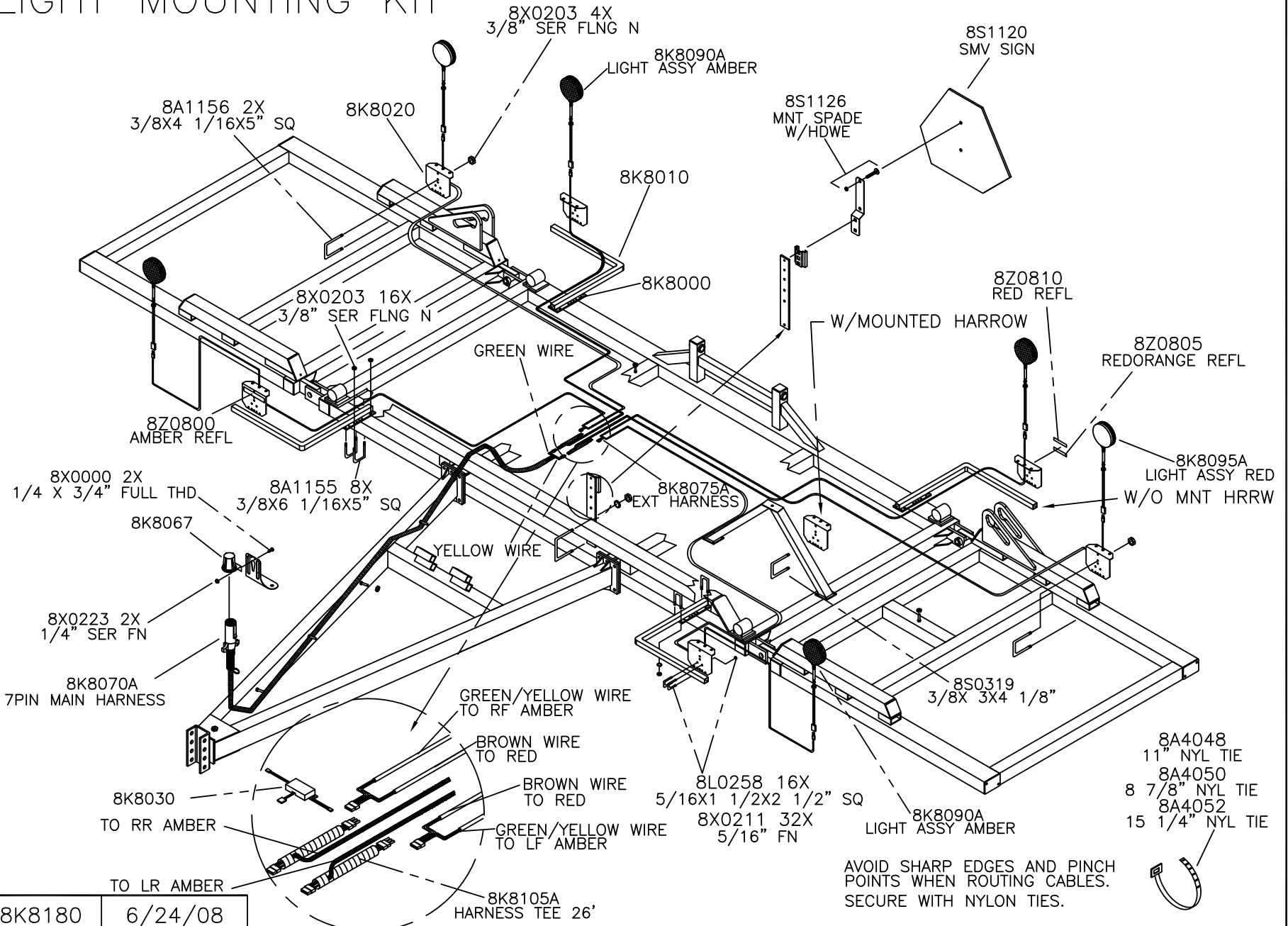
8L0252
4 1/20DX1.28"ID W

SUPERCOUNTER GANG ASSEMBLIES



SUPERCOULTER LIGHT MOUNTING KIT

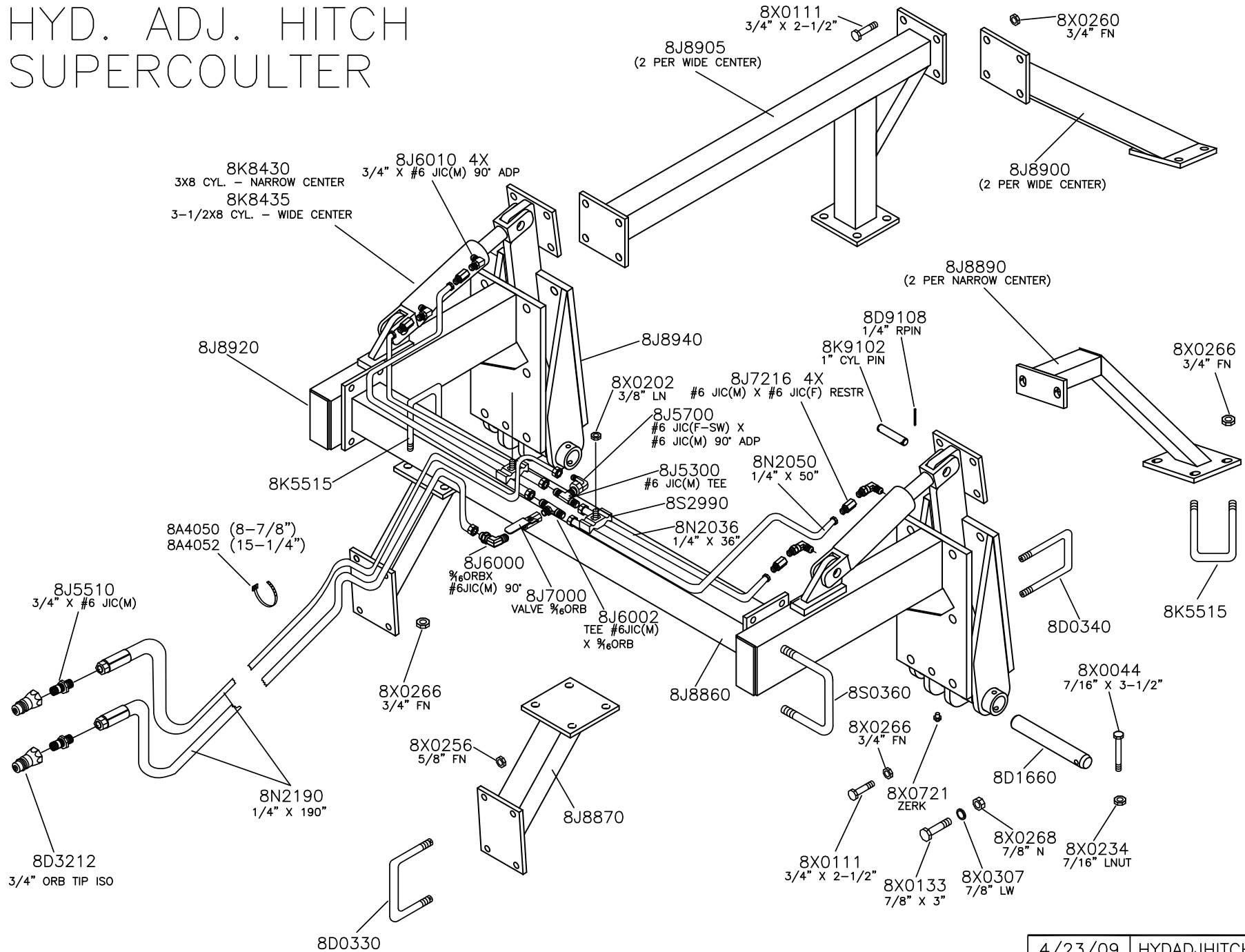
7.11



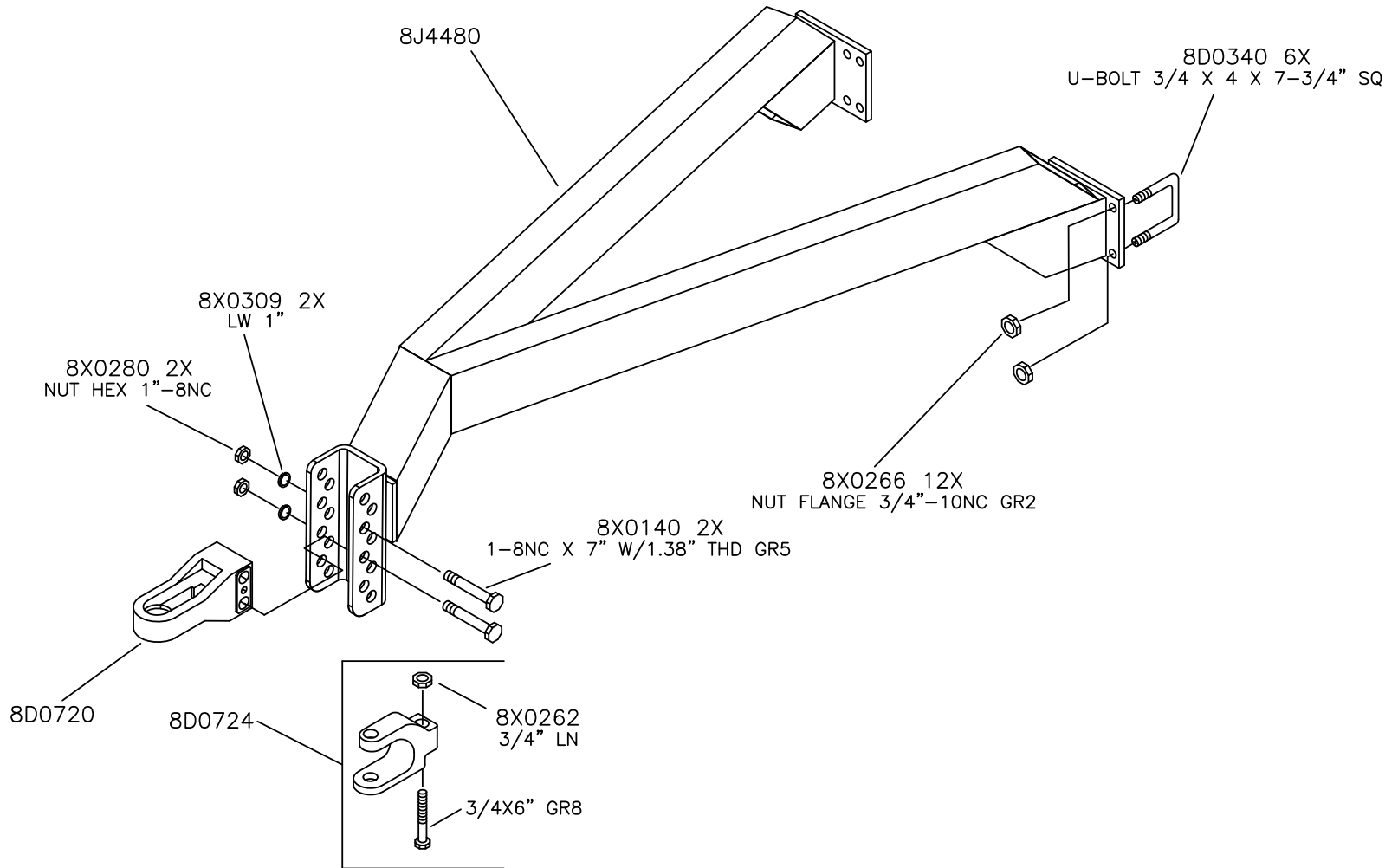
8K8180 6/24/08

HYD. ADJ. HITCH SUPERCOUNTER

7.12



7.13

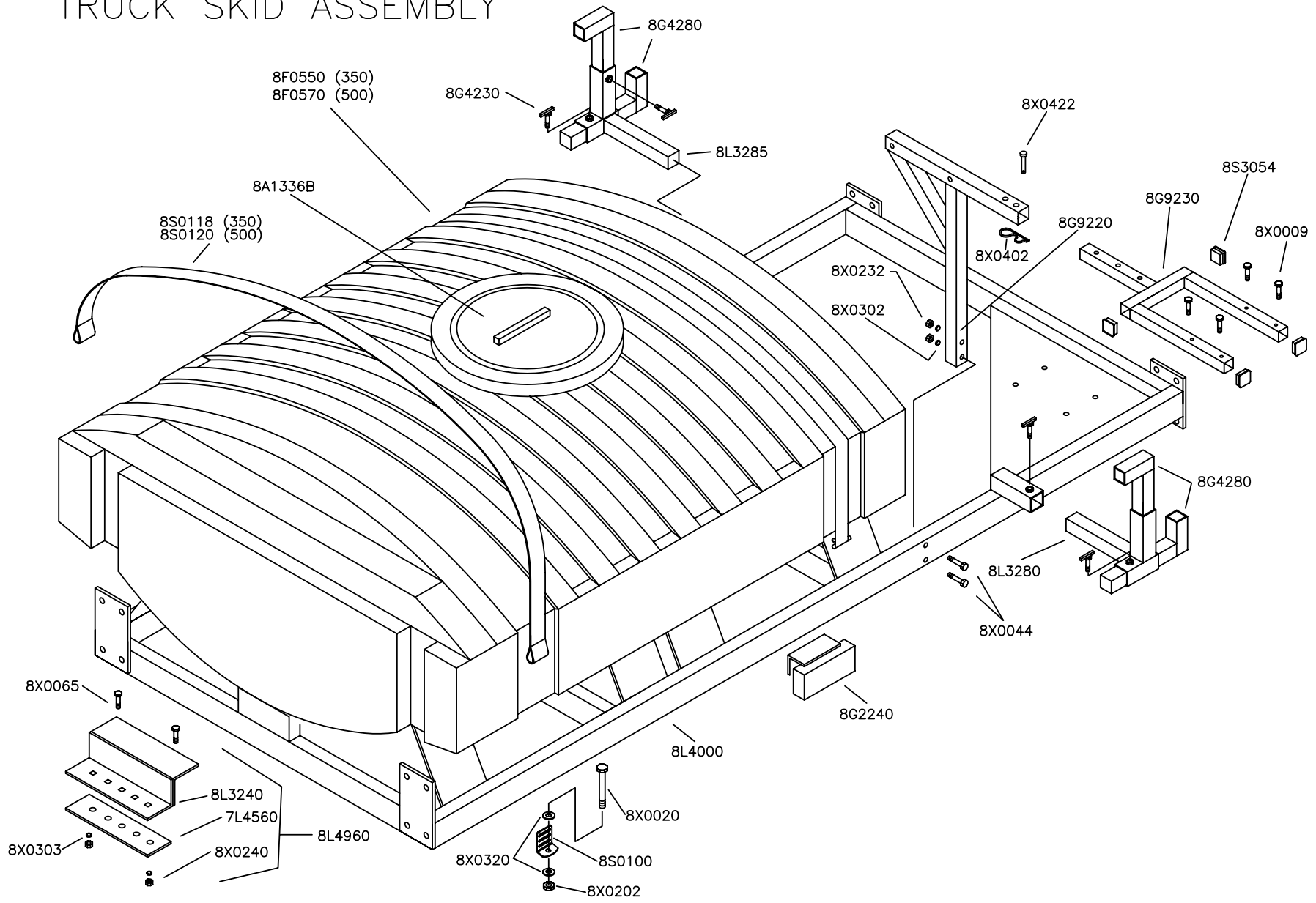


TRUCK MOUNTED SPRAYERS

Truck Skid Assembly	8.1
Cable Suspended Boom Pivot Arm Assembly	8.2
Front Height Adjustment	8.3
Suspended Boom Assembly	8.4
Equal Boom Width	8.5
Manual 1" Boom Valve	8.6
Latch Kit	8.7
Windshield Hardware	8.8
Midboom & Transport	8.9
Tiplift Electrical System	8.10
Tiplift Hydraulic System	8.11
Ball Valve Assembly	8.12
205 with Standard Ball Valves	8.13
450 with Standard Ball Valves	8.14
SCS-205 Control Console / SCS-440/450 Control Console	8.15
High Capacity Mix & Fill Kit	8.16
2" Bottom Fill	8.17
Safety Water Kit	8.18
Manual/Electric End Nozzles	8.19
Electric End Nozzle Solenoid	8.20
Boom Line Strainer Pkg.	8.21
Light Mounting Kit	8.22
Foam Marker Option	8.23
420 Scot Pump for 8HP Engine	8.24
Hypro 1538 for 5.5HP Engine	8.25
Hypro 1551 for 9HP Engine	8.26
Wet Boom Nozzle Assemblies	8.27

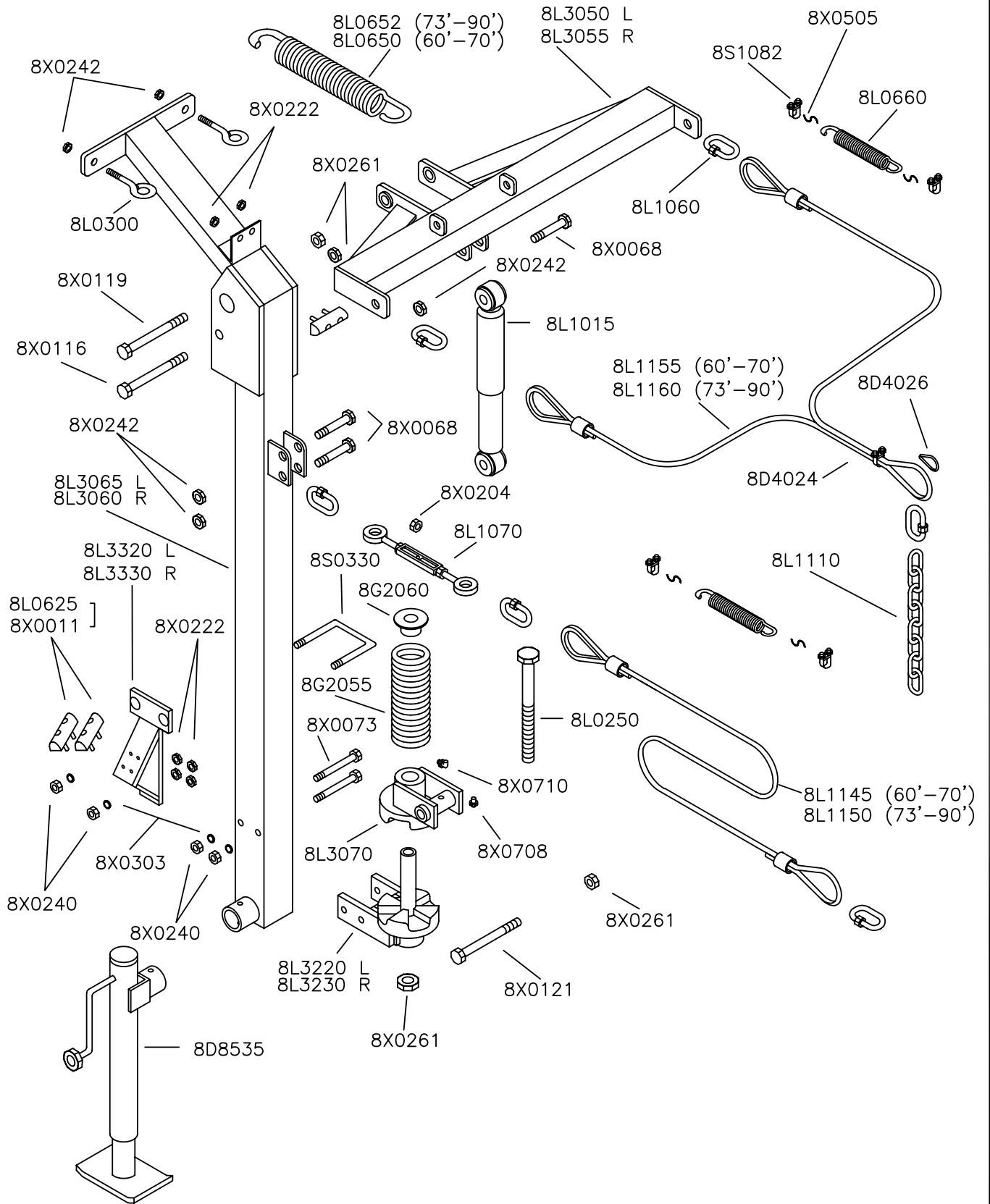
350 AND 500 GALLON TRUCK SKID ASSEMBLY

8.1

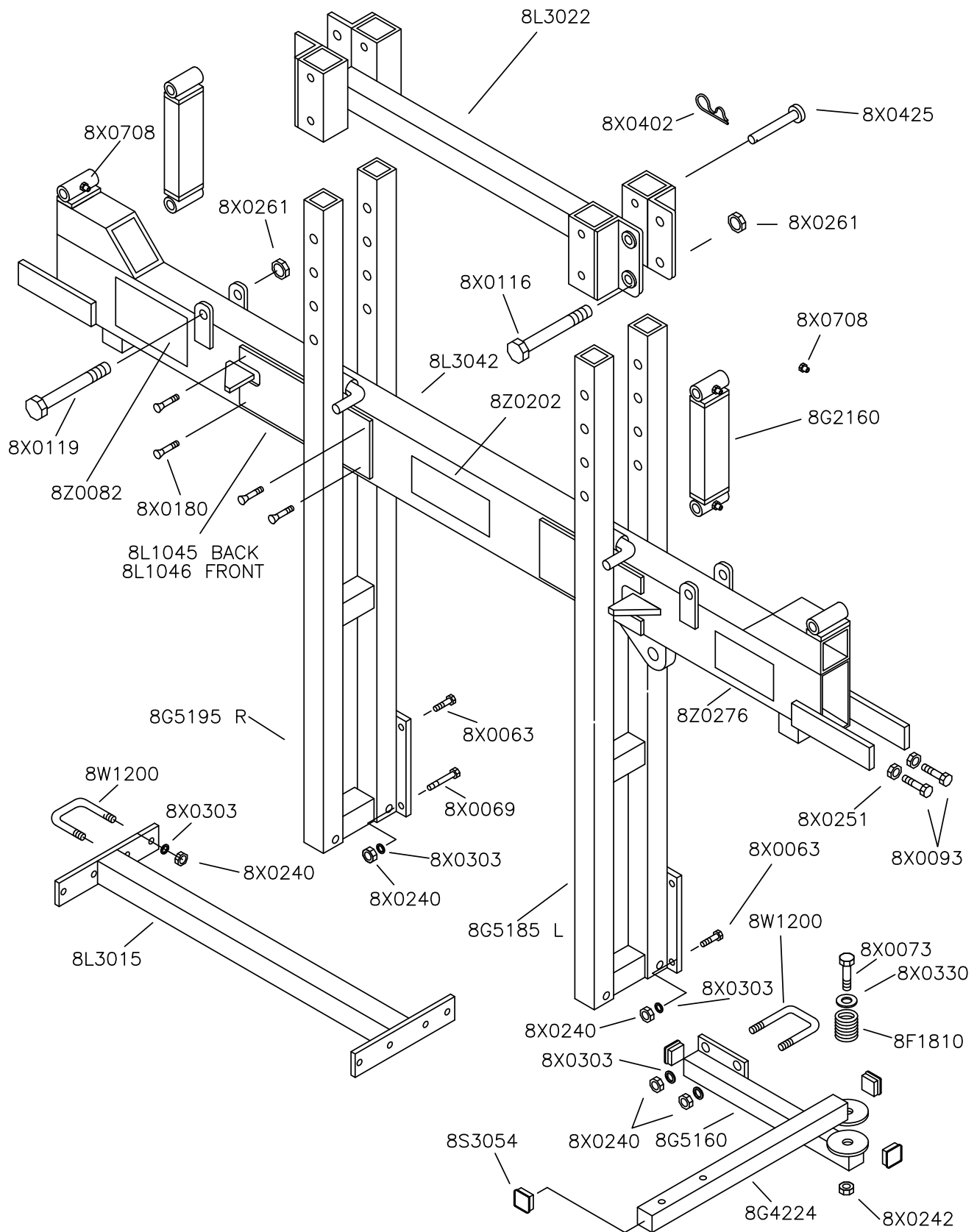


CABLE SUSPENDED BOOM PIVOT ARM ASSEMBLY

60'-70' AND 73'-90' 2-POINT & TRUCK SPRAYER

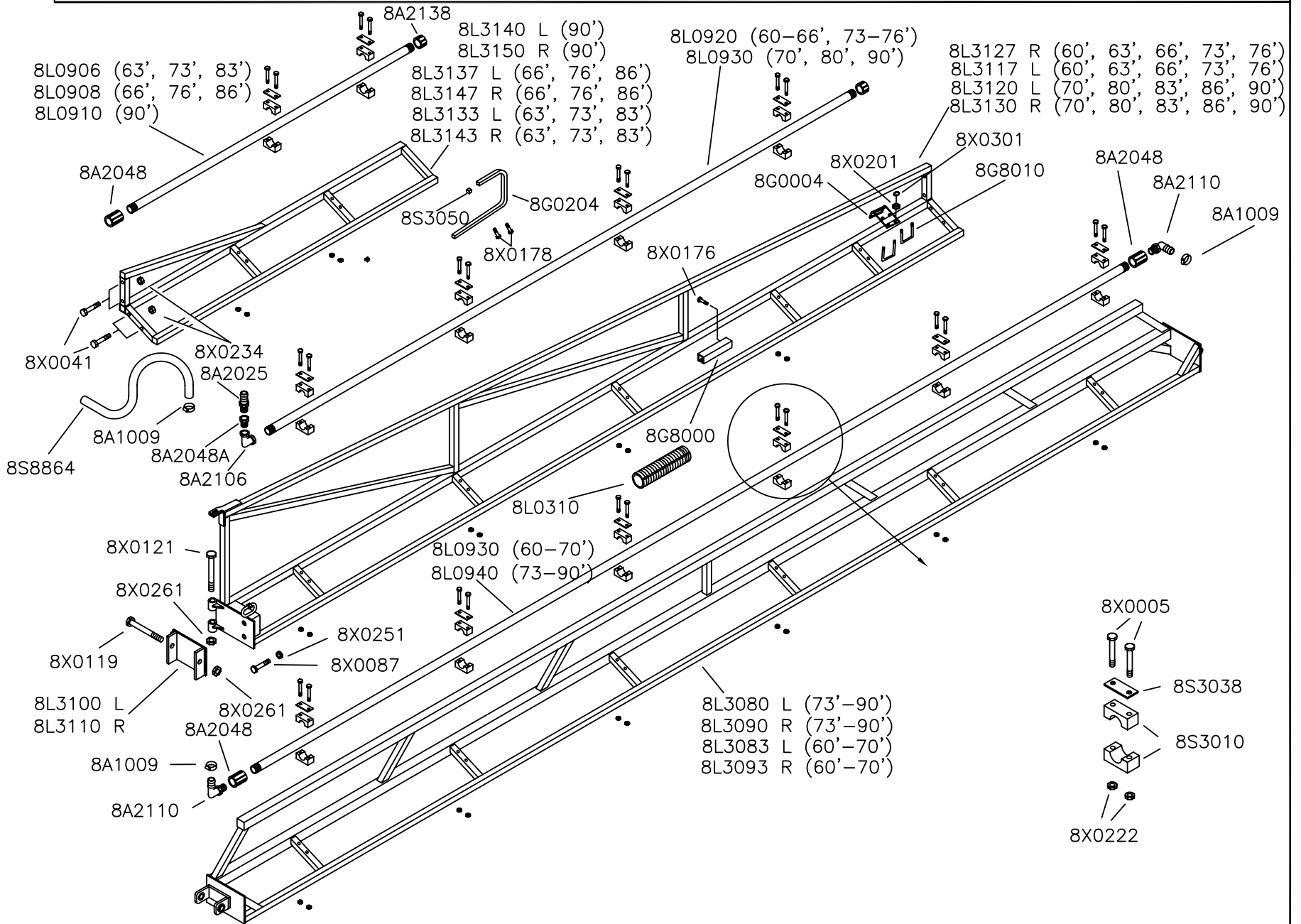


FRONT HEIGHT ADJUSTMENT 60-90' TRUCK SPRAYERS



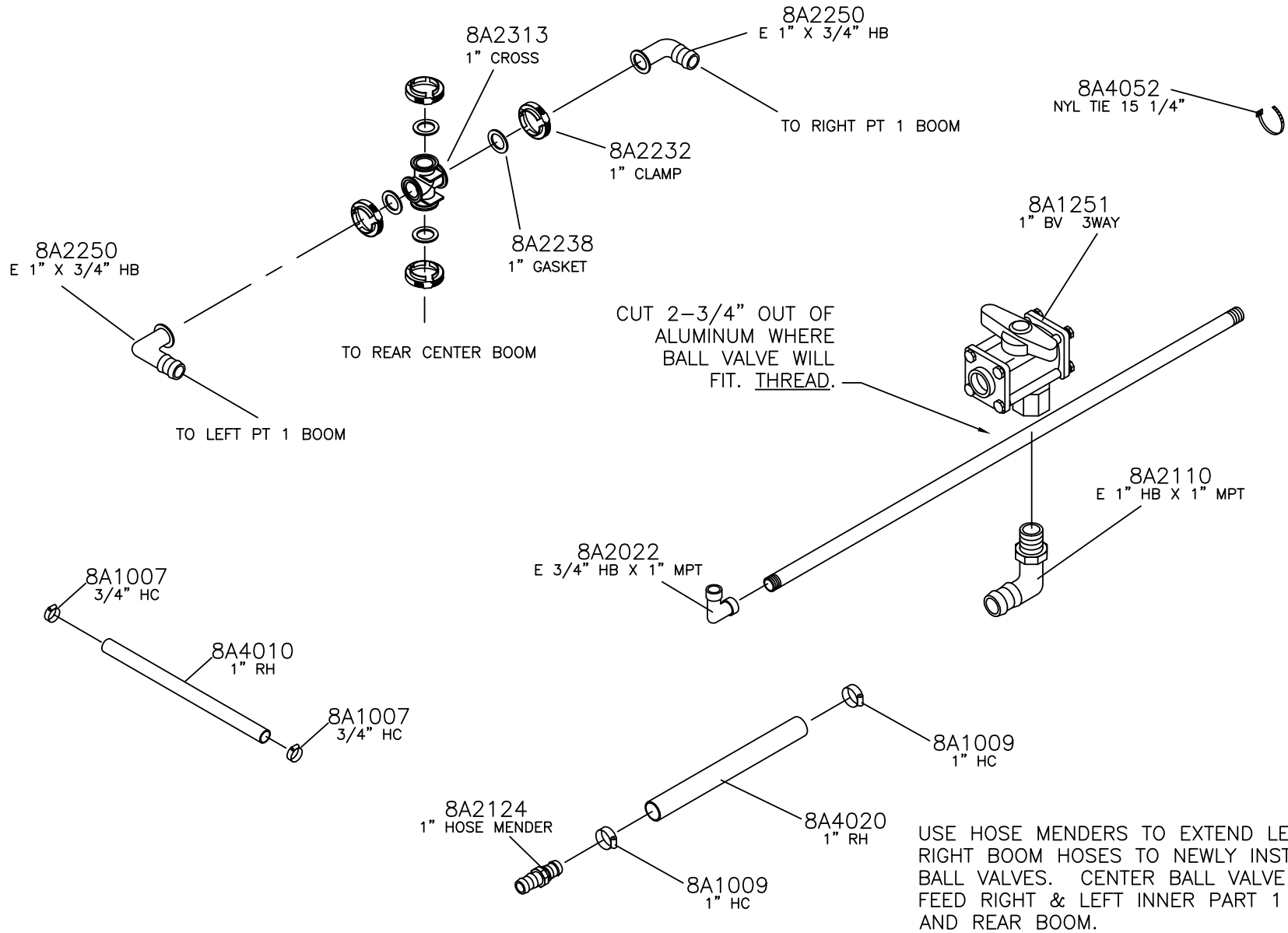
FHGHT95 | 4/28/08

2-PT & TRUCK SPRAYER 60-90' CABLE SUSPENDED BOOM ASSEMBLY



8.4

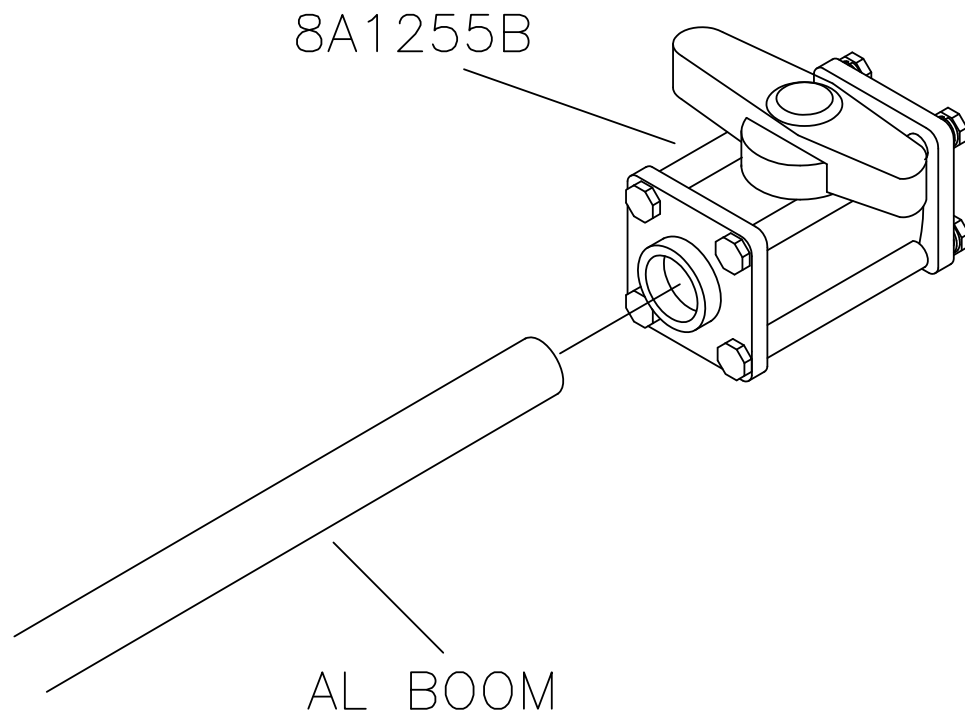
EQUAL BOOM WIDTH OPTION



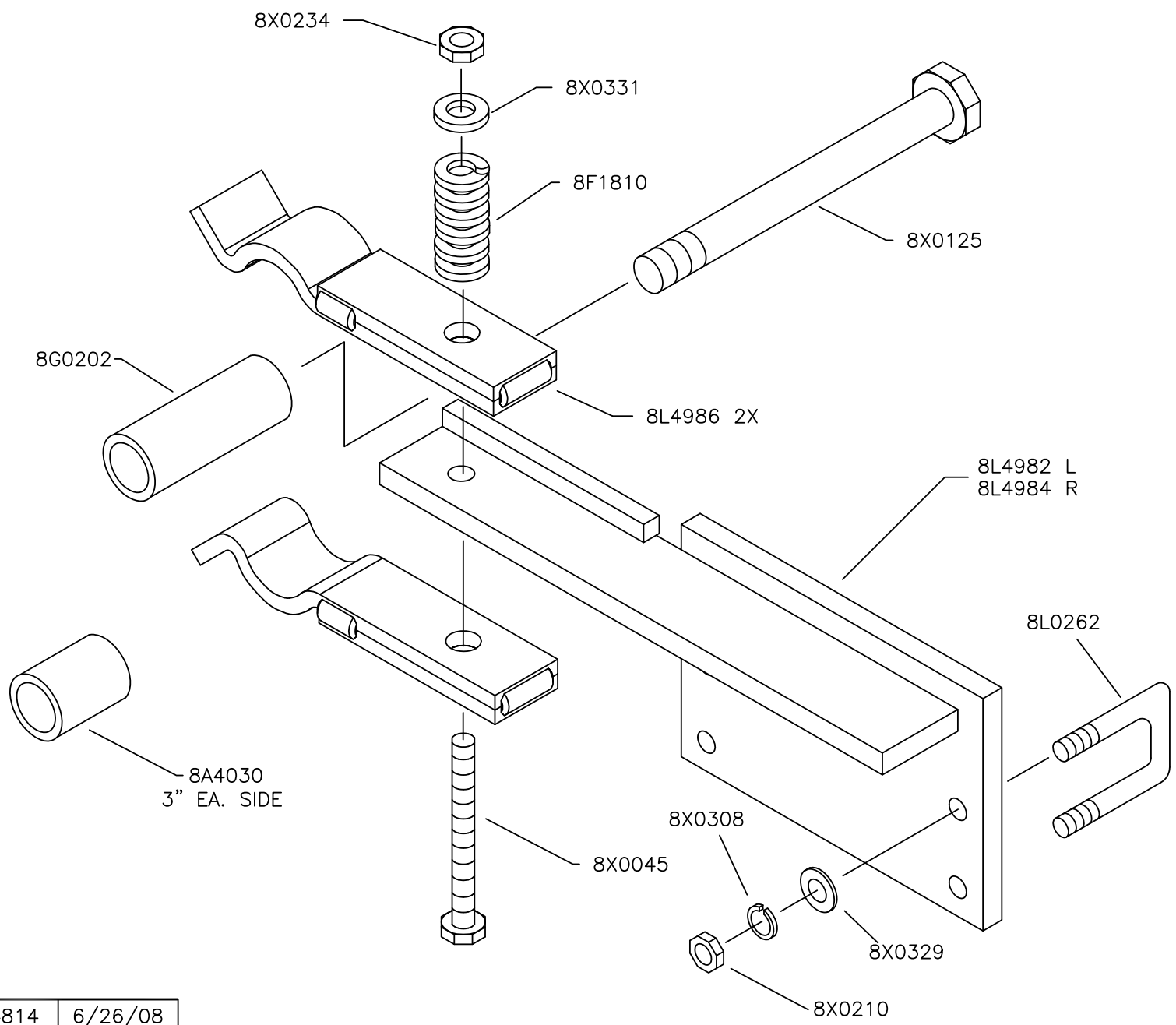
90' @ 20" SPACING = 54 NOZZLES
 54 DIVIDED BY 3 = 18.4 PER SECTION
 CAN BE SET UP TO FARMERS' PREFERENCES.

2-PT & TRUCK SPRAYER
MANUAL 1" BOOM VALVE

8.6



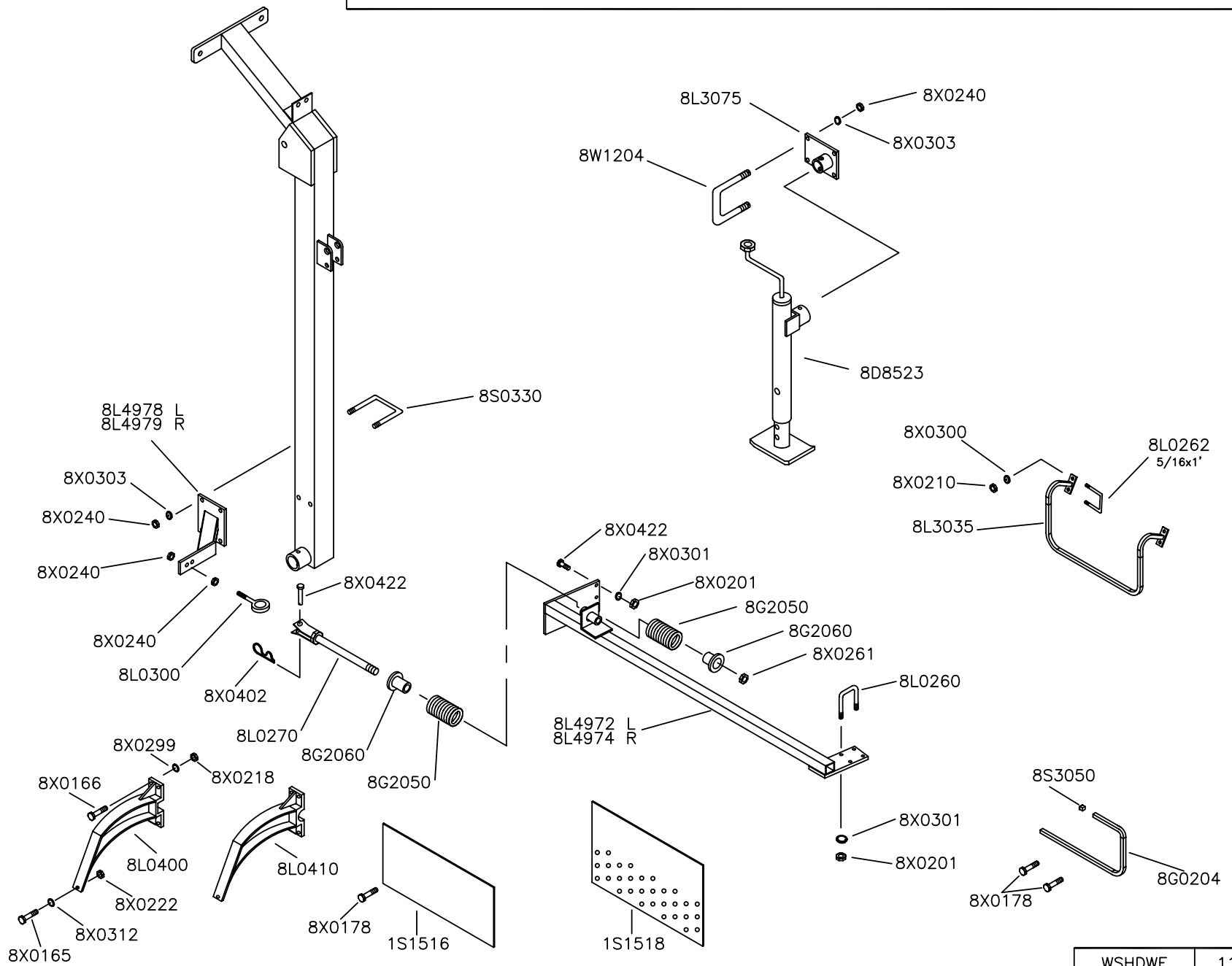
2-PT & TRUCK SPRAYER WETBOOM PART 2 LATCH KIT



8.7

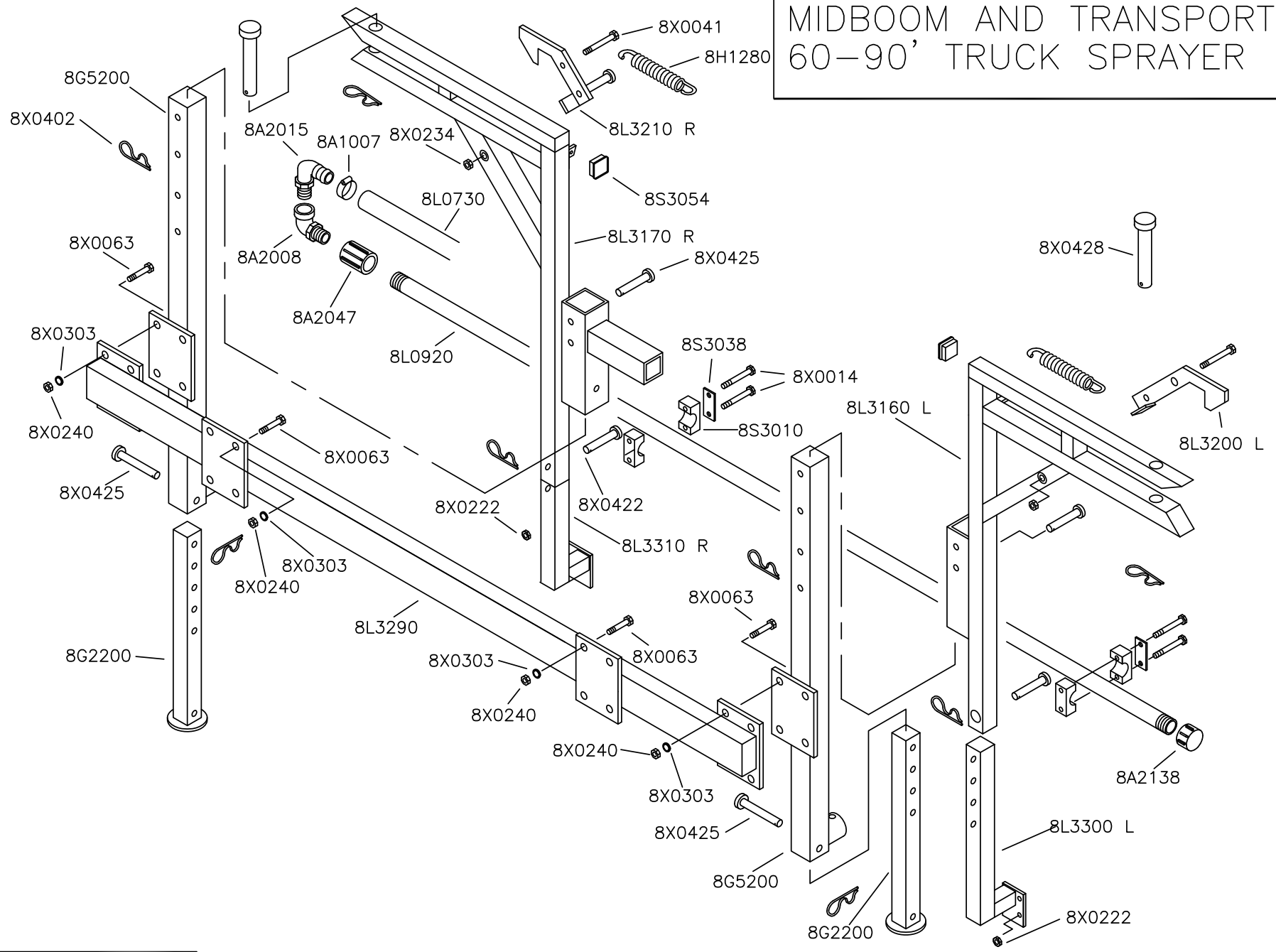
2-PT & TRUCK SPRAYER WINDSHIELD HARDWARE

8.8



MIDBOOM AND TRANSPORT 60-90' TRUCK SPRAYER

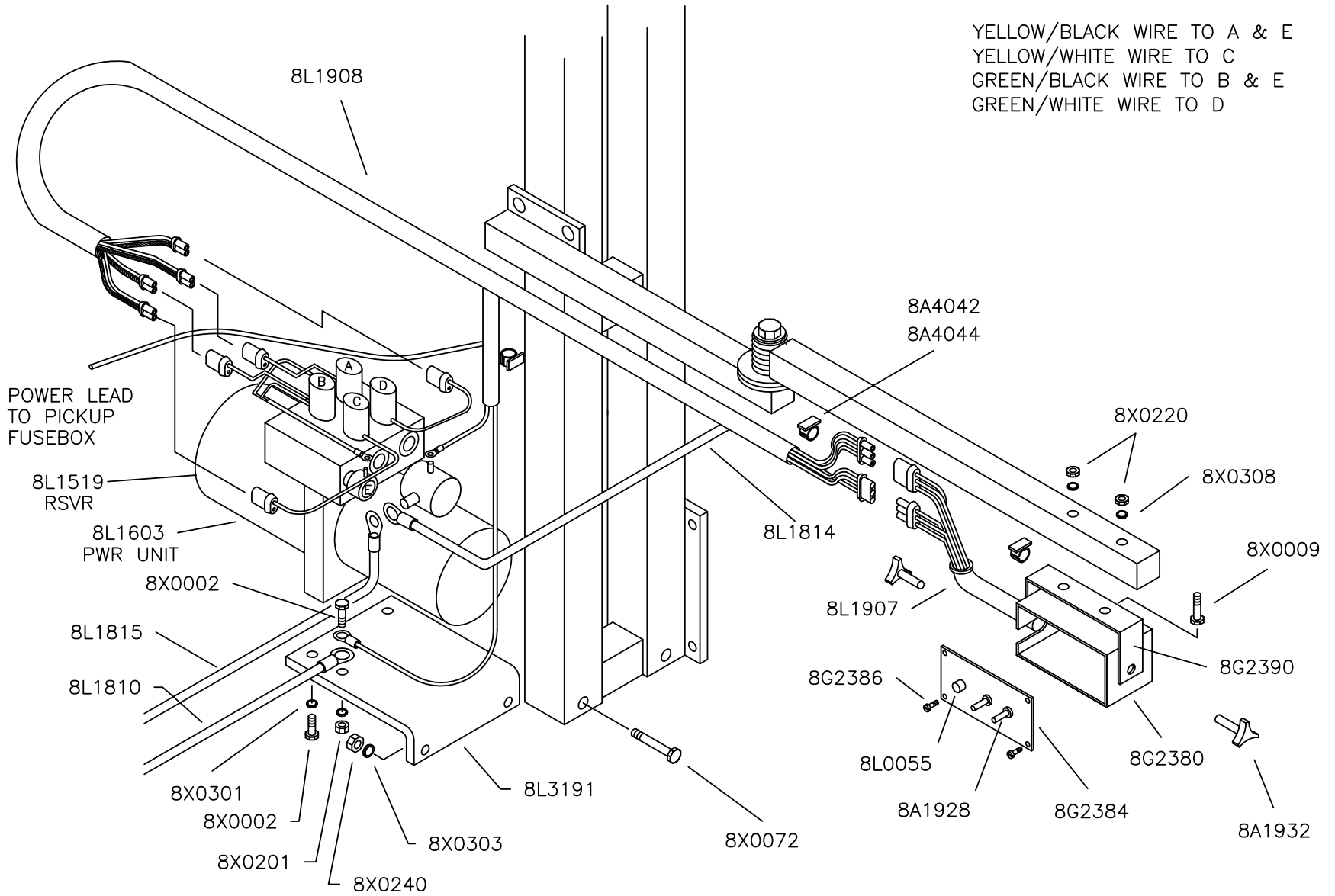
8.9



TRUCK SPRAYER TIPLIFT ELECTRICAL SYSTEM

YELLOW/BLACK WIRE TO A & E
 YELLOW/WHITE WIRE TO C
 GREEN/BLACK WIRE TO B & E
 GREEN/WHITE WIRE TO D

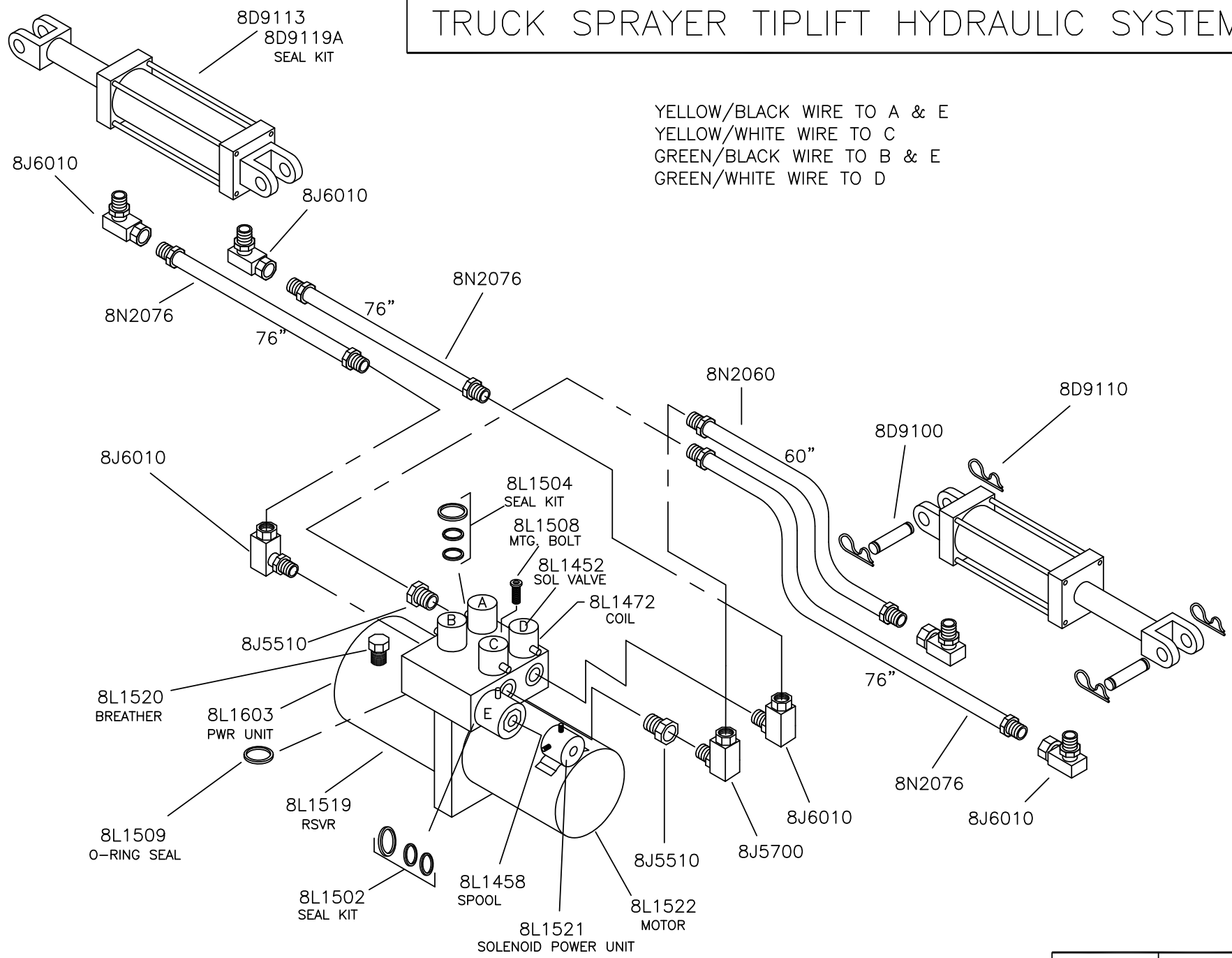
8.10



TRUCK SPRAYER TIPLIFT HYDRAULIC SYSTEM

YELLOW/BLACK WIRE TO A & E
 YELLOW/WHITE WIRE TO C
 GREEN/BLACK WIRE TO B & E
 GREEN/WHITE WIRE TO D

8.11



MANIFOLD VALVE REPLACEMENT PARTS

063-0171-926 (1 Section) - Rev. A or Higher*

063-0171-928 (3 Section) - Rev. A or Higher*

063-0172-039 (5 Section - Not Shown) - Rev. A or Higher*

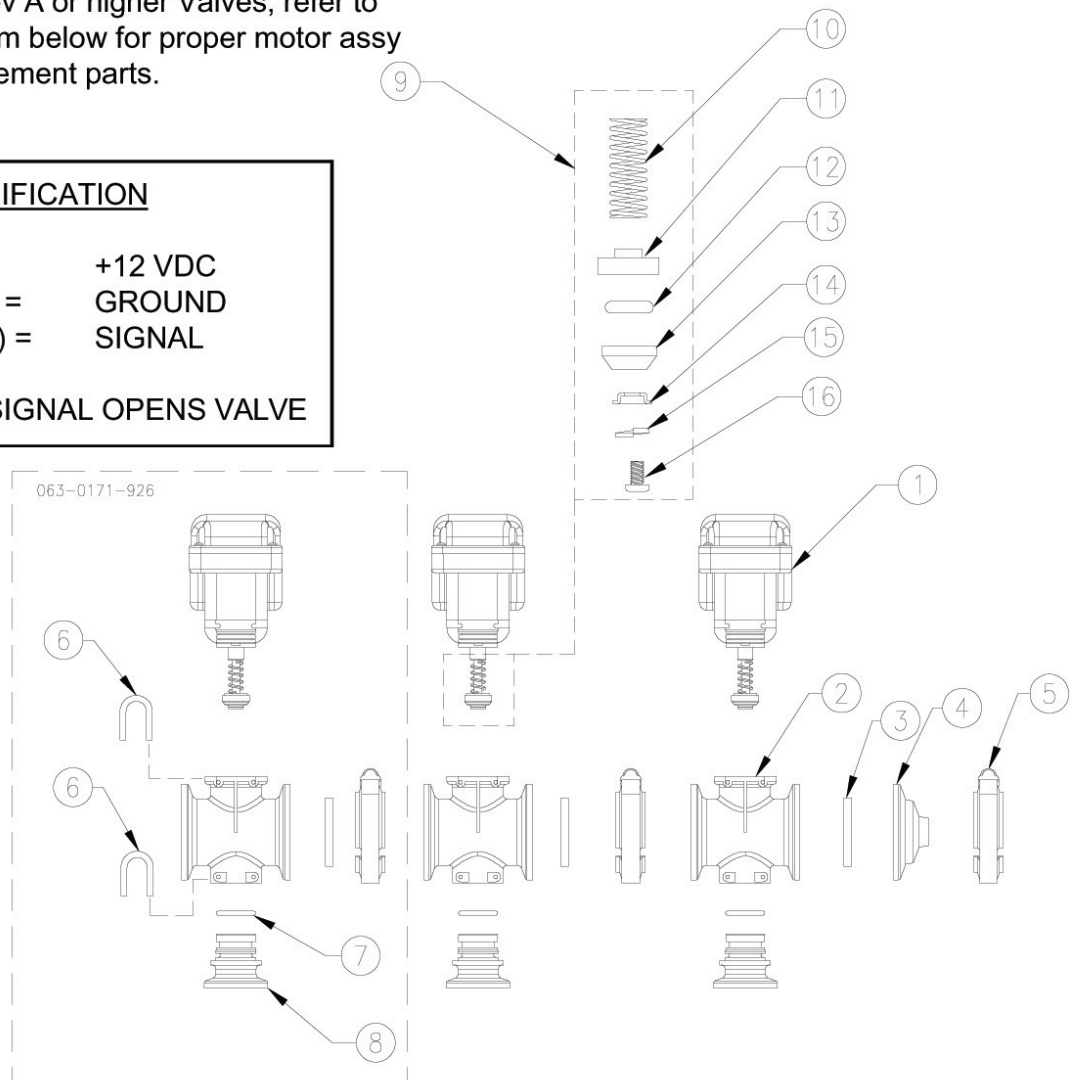
ITEM	DESCRIPTION	RAVEN PART #	SMC PART #
1	Motor Assembly*	063-0172-330	8A1600A
2	Body	106-0159-522	8A1600B
3	Gasket	219-0000-097	8A1402
4	End Plate	106-0159-524	8A2331A
5	Clamp, V-Band	435-3003-038	8A2233
6	Clip	107-0171-327	
7	O-Ring	219-0002-214	8A1600C
8	Outlet	106-0159-523	8A1600D
9	Kit, Plunger Seat	117-0159-906	8A1600E
10	Spring	314-0000-011	
11	Seat Retainer	106-0159-534	
12	O-Ring	219-0002-010	
13	Plunger Seat, Recessed	219-0000-121	
14	Washer, Recessed	107-0171-464	
15	Washer, Split Lock, #8	313-1000-011	
16	Screw, #8-32 x 3/8"	311-0007-045	

* **NOTE:** For Rev A or higher Valves, refer to diagram below for proper motor assy replacement parts.

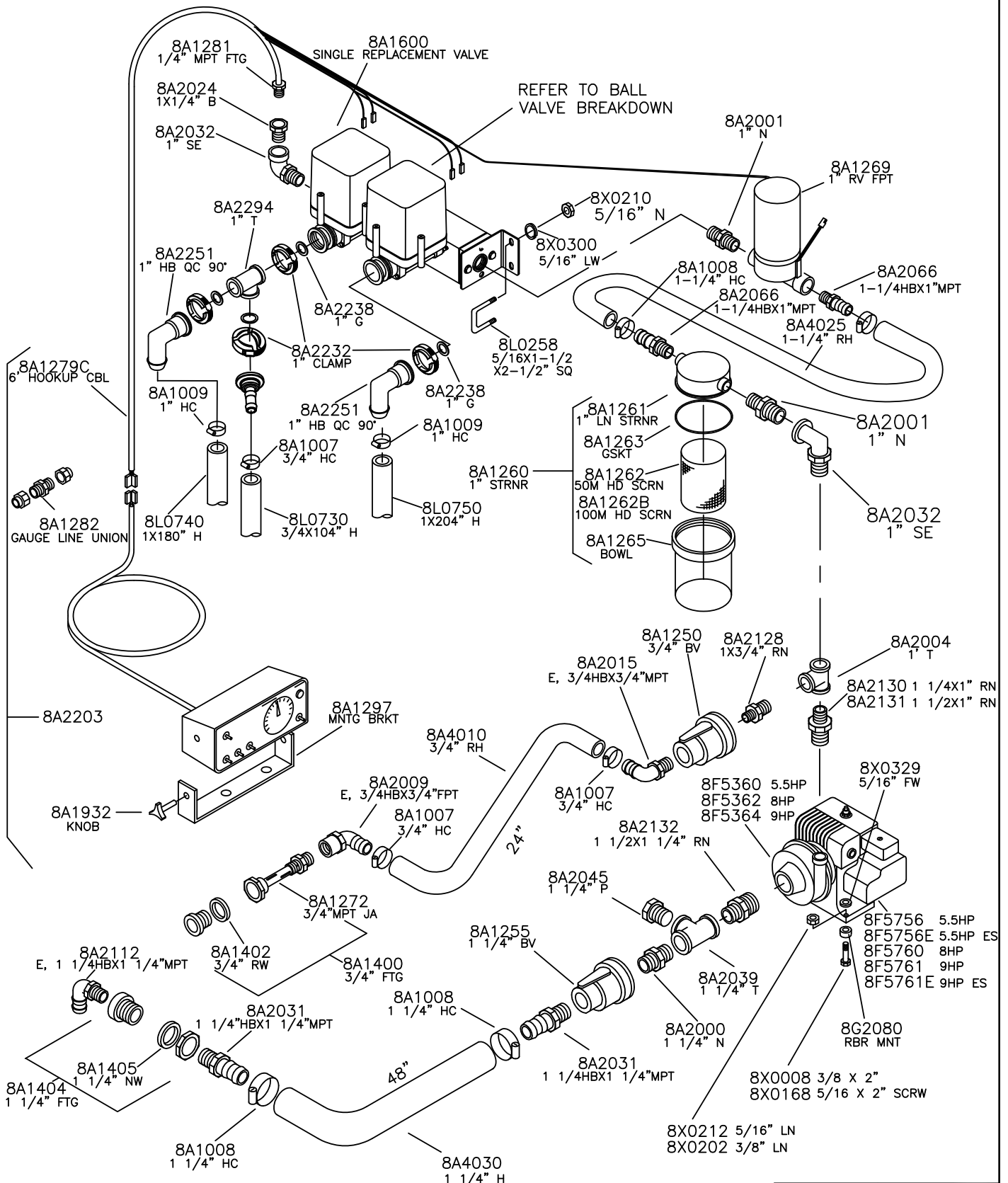
WIRING SPECIFICATION

RED (PIN A) = +12 VDC
 WHITE (PIN B) = GROUND
 BLACK (PIN C) = SIGNAL

+12 VDC ON SIGNAL OPENS VALVE

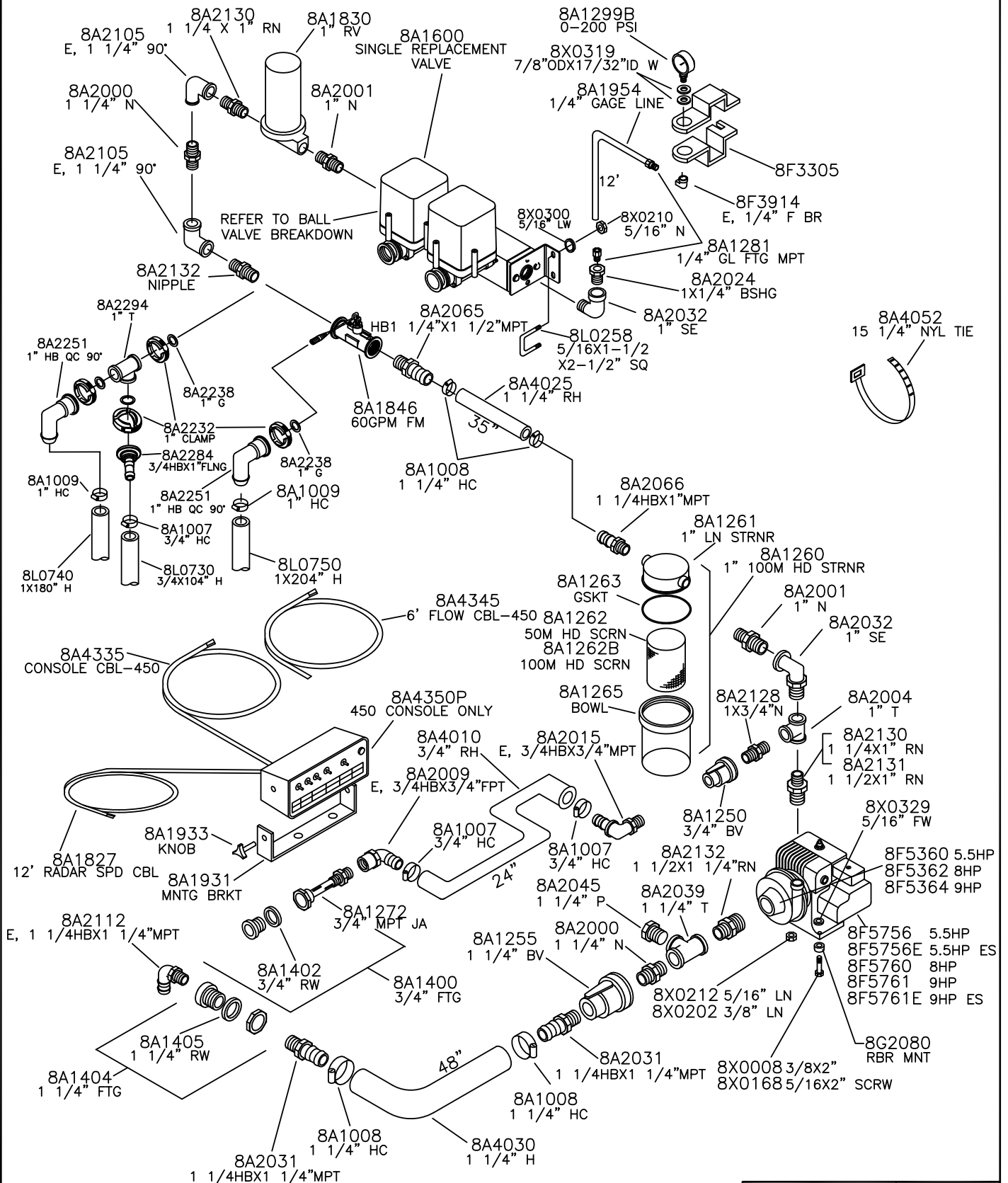


60-90' TRUCK SPRAYER PLUMBING 205 WITH STANDARD BALL VALVES



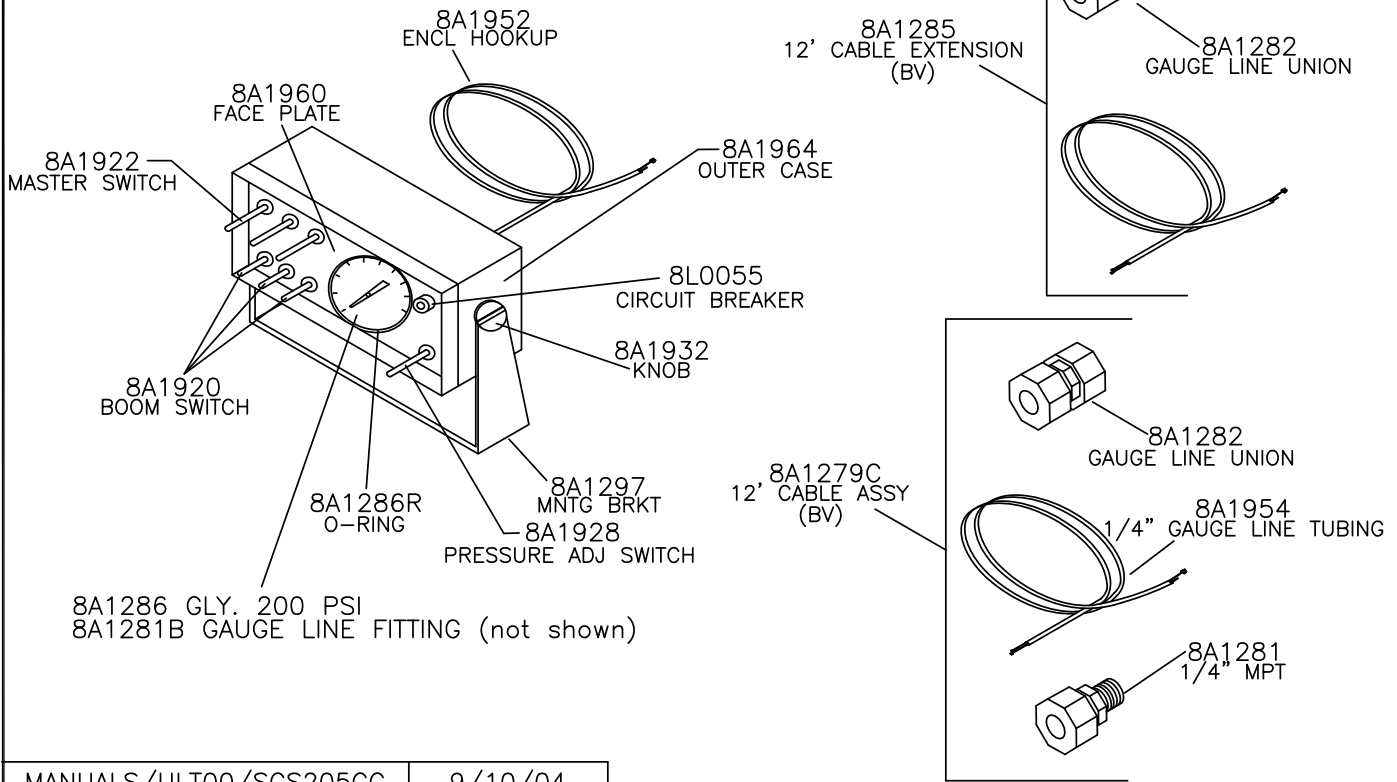
8L2912	1/13/09
--------	---------

60-90' TRUCK SPRAYER PLUMBING 450 WITH STANDARD BALL VALVES



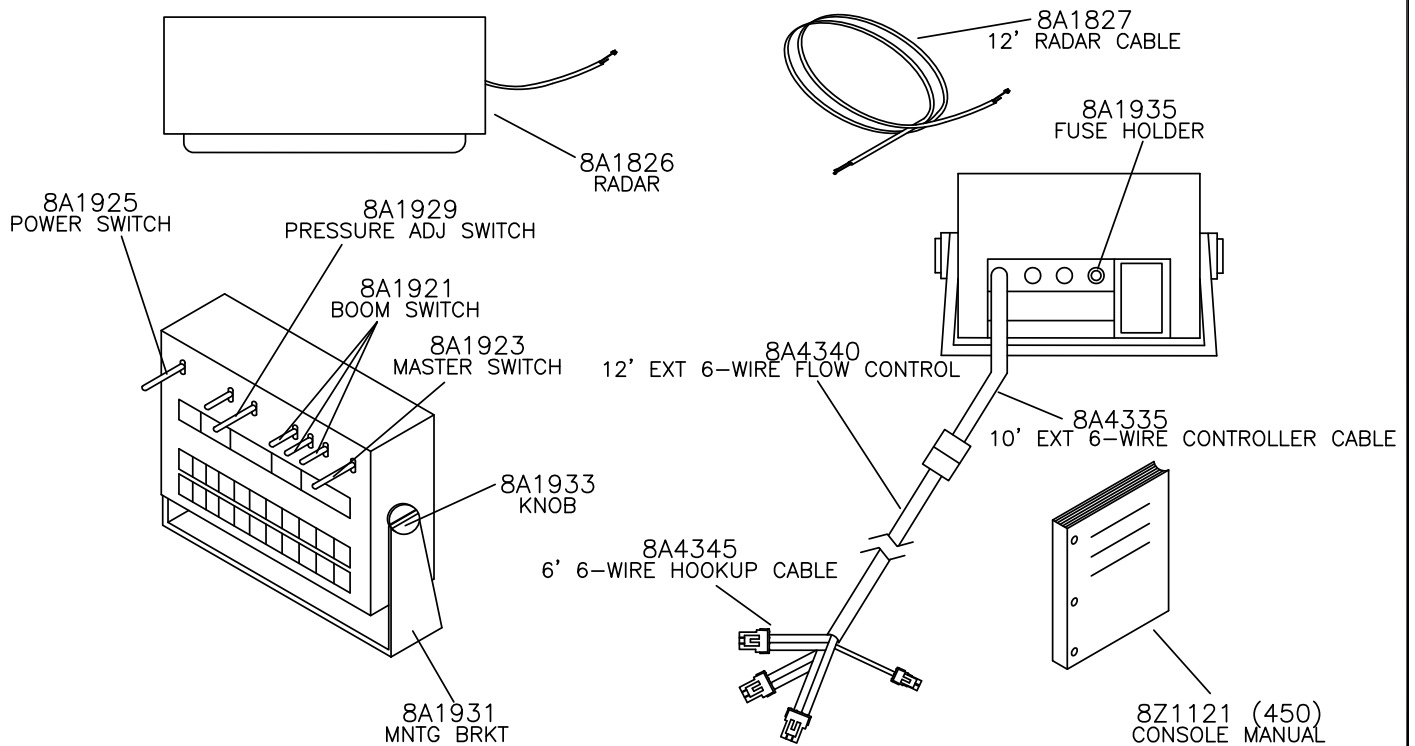
8A0226	1/13/09
--------	---------

SCS-205 CONTROL CONSOLE



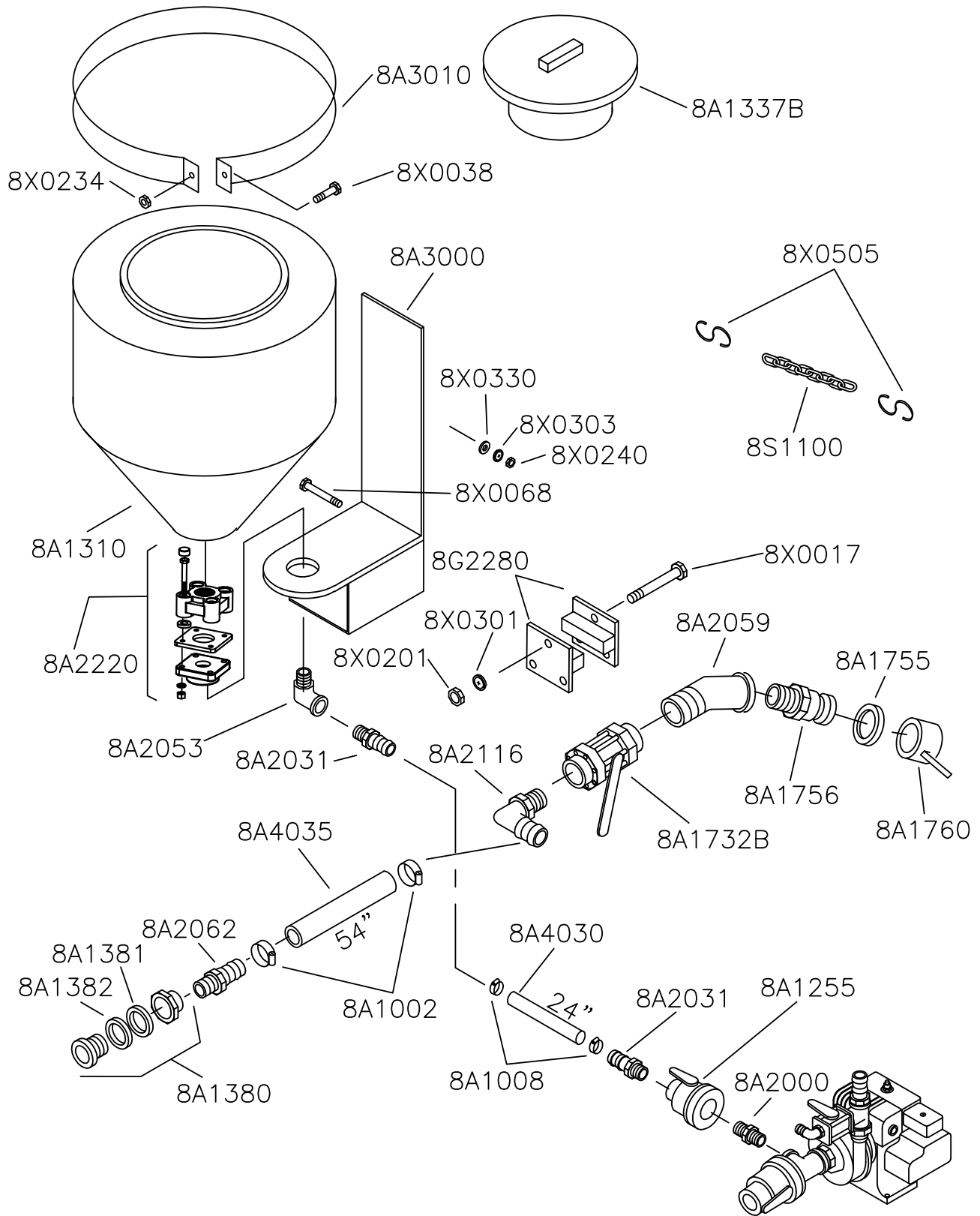
MANUALS/ULT00/SCS205CC 9/10/04

SCS-440/450 CONTROL CONSOLE



9/10/04

TRUCK SPRAYER HIGH CAPACITY MIX & FILL KIT

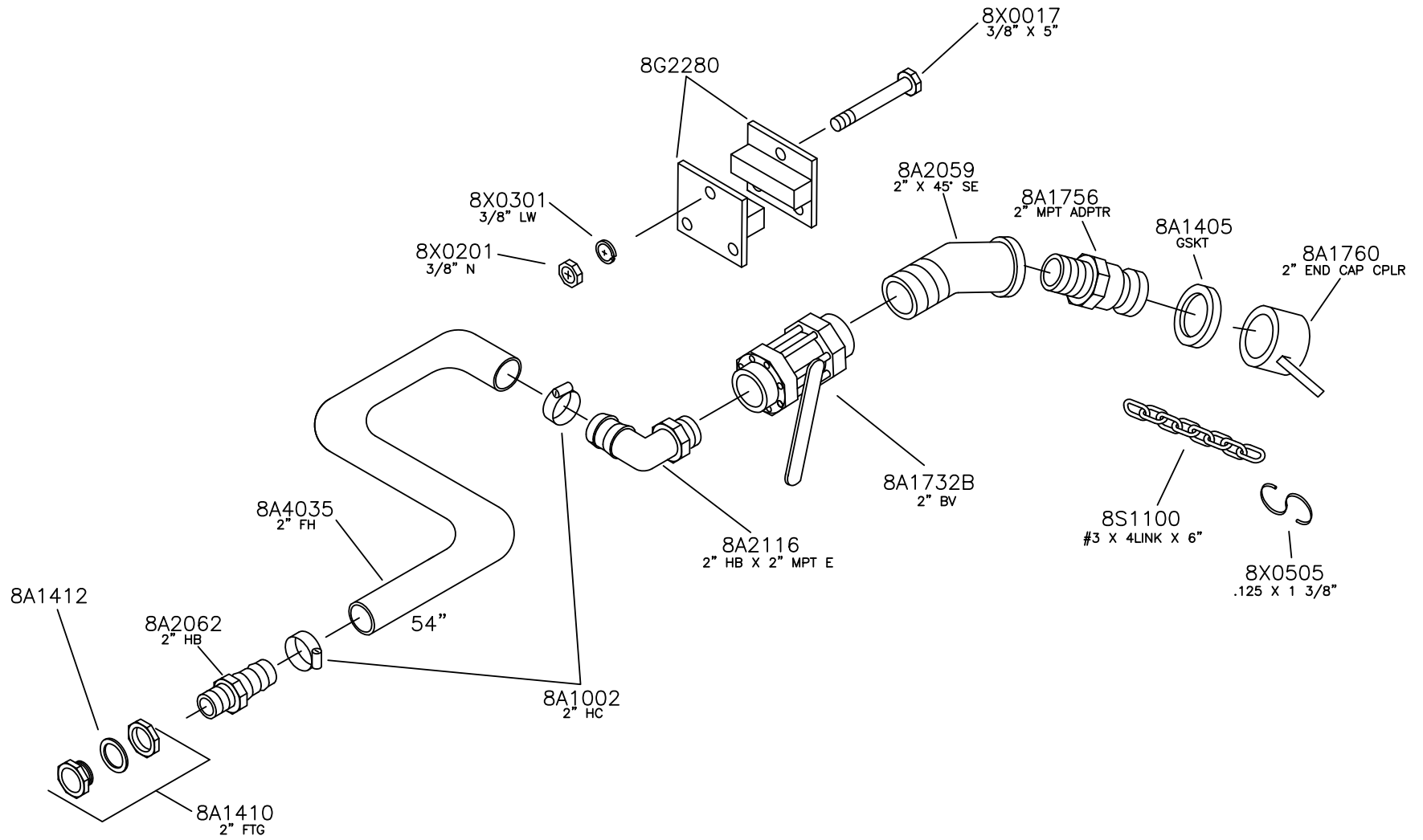


8A3360

4/13/05

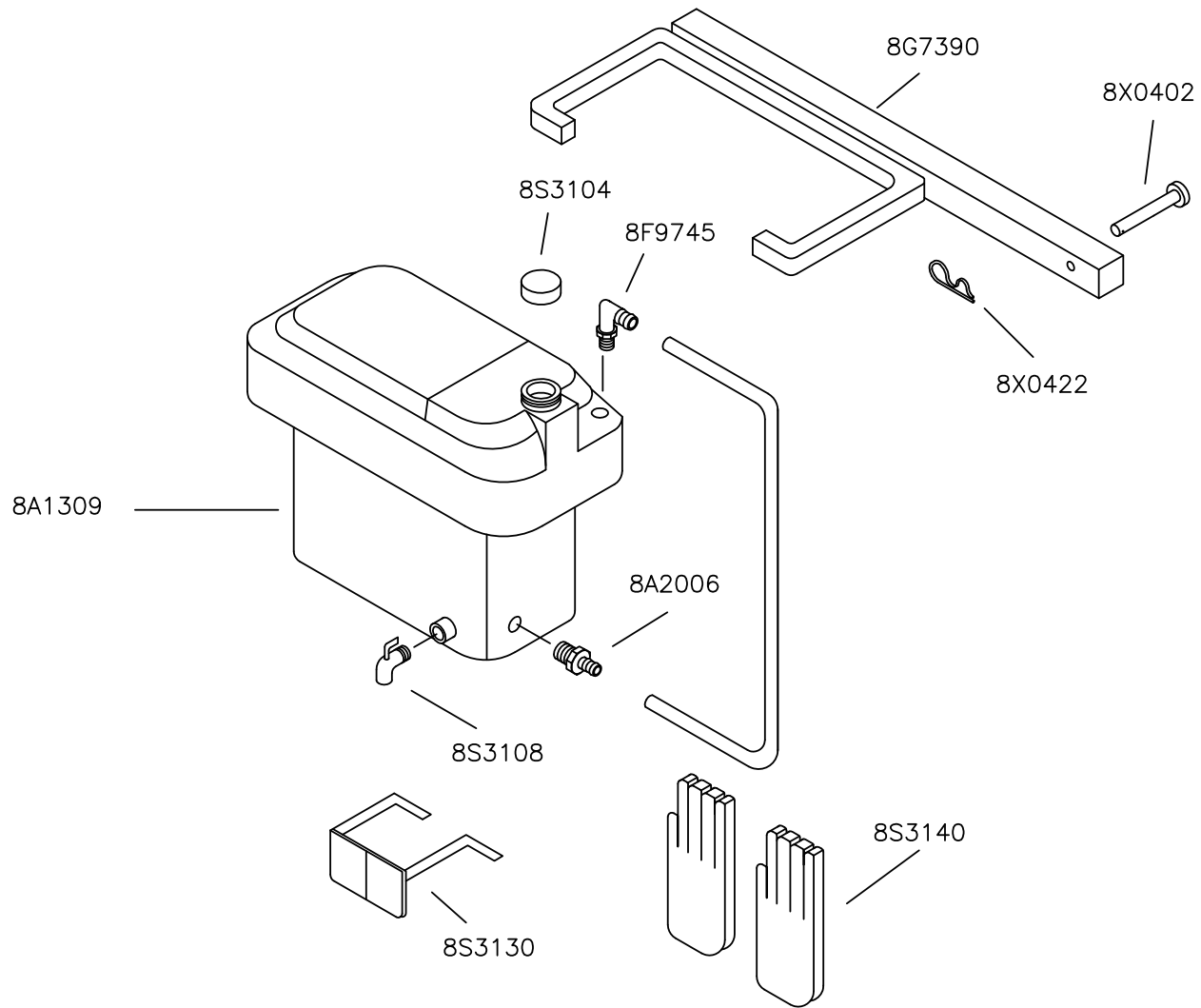
TRUCK SPRAYER 2" BOTTOM FILL

8.17

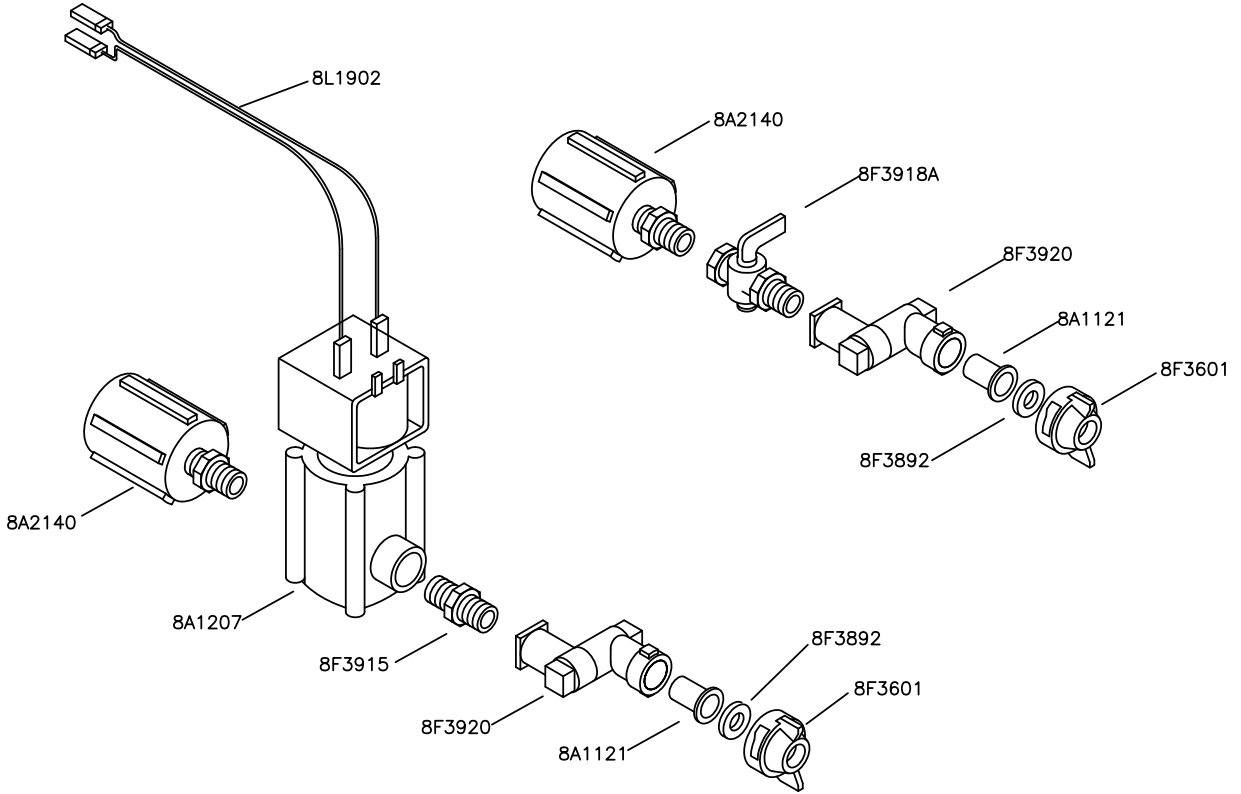


TRUCK SPRAYER SAFETY WATER KIT

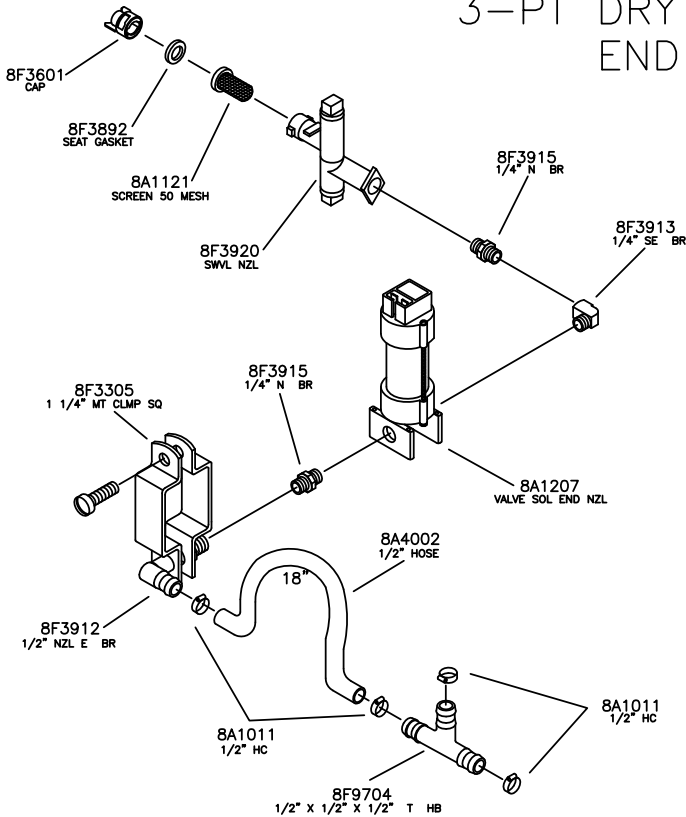
8.18



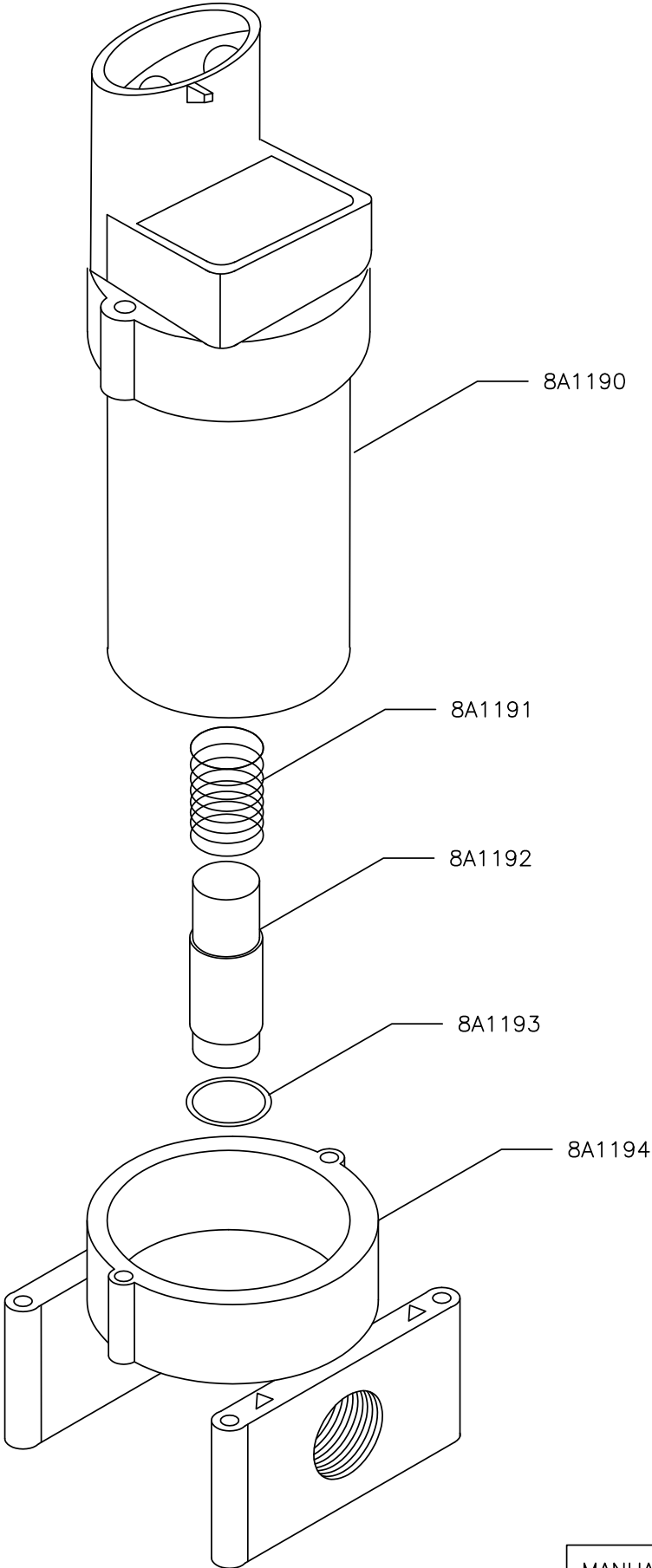
2-PT & TRUCK SPRAYER MANUAL/ELECTRIC END NOZZLES



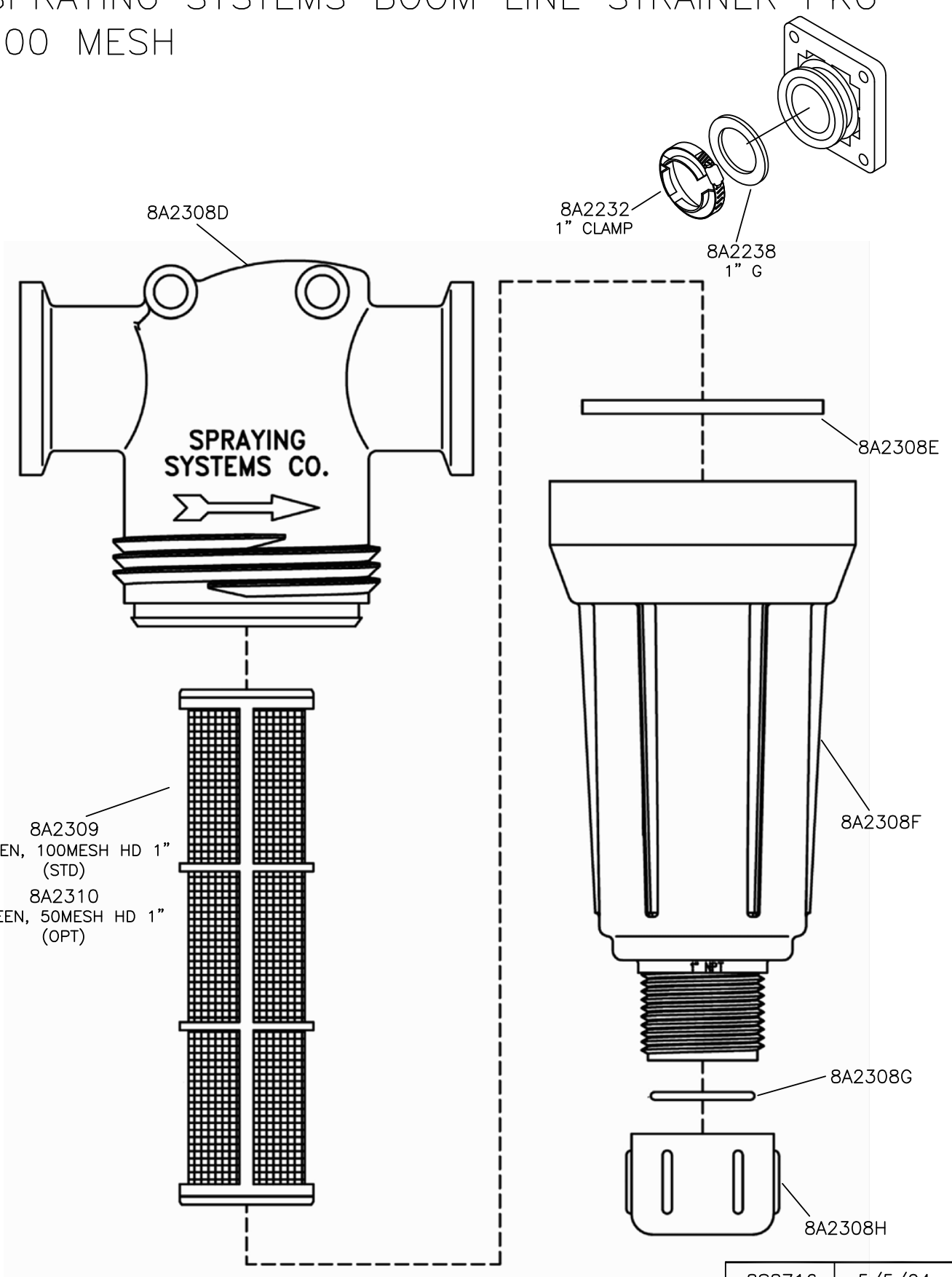
3-PT DRY BOOM ELECTRIC END NOZZLE



ELECTRIC
END NOZZLE
SOLENOID



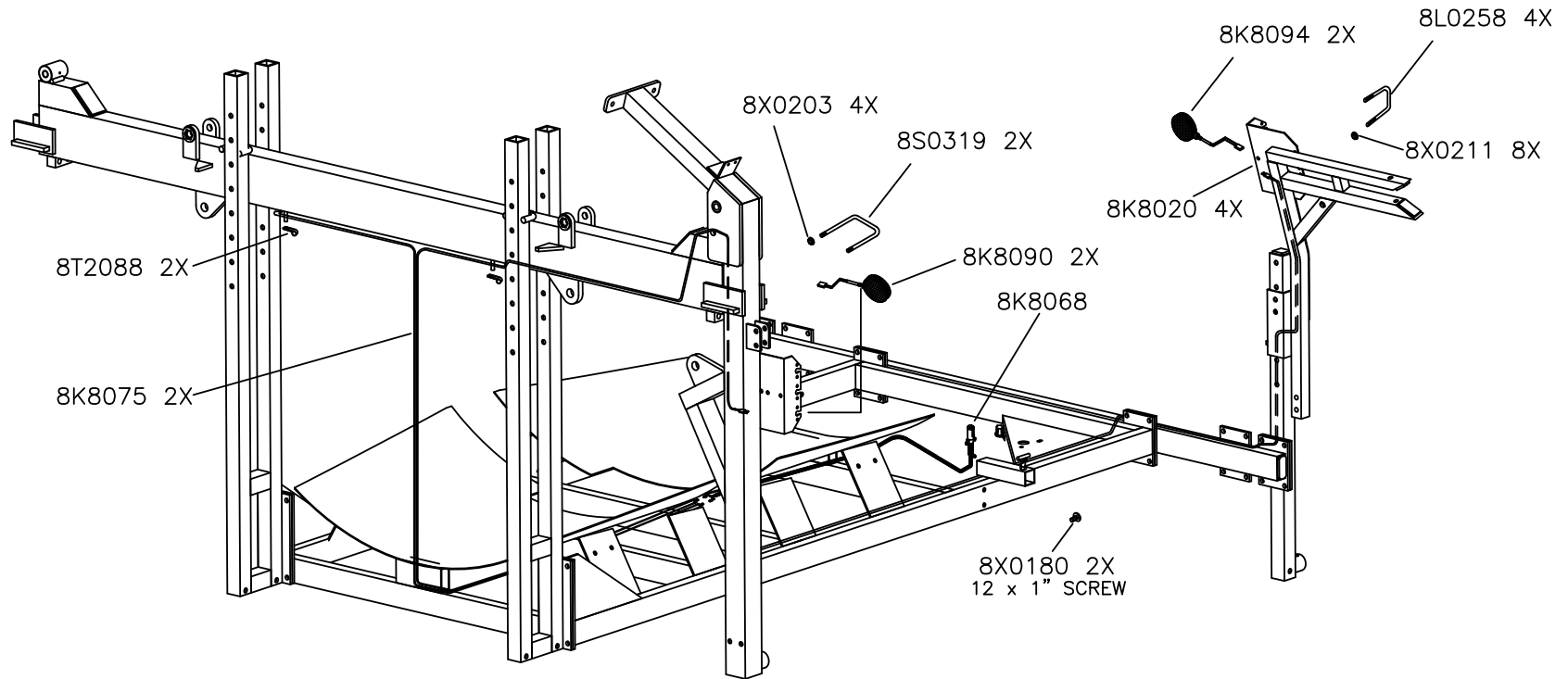
SPRAYING SYSTEMS BOOM LINE STRAINER PKG 100 MESH



8S8716	5/5/04
--------	--------

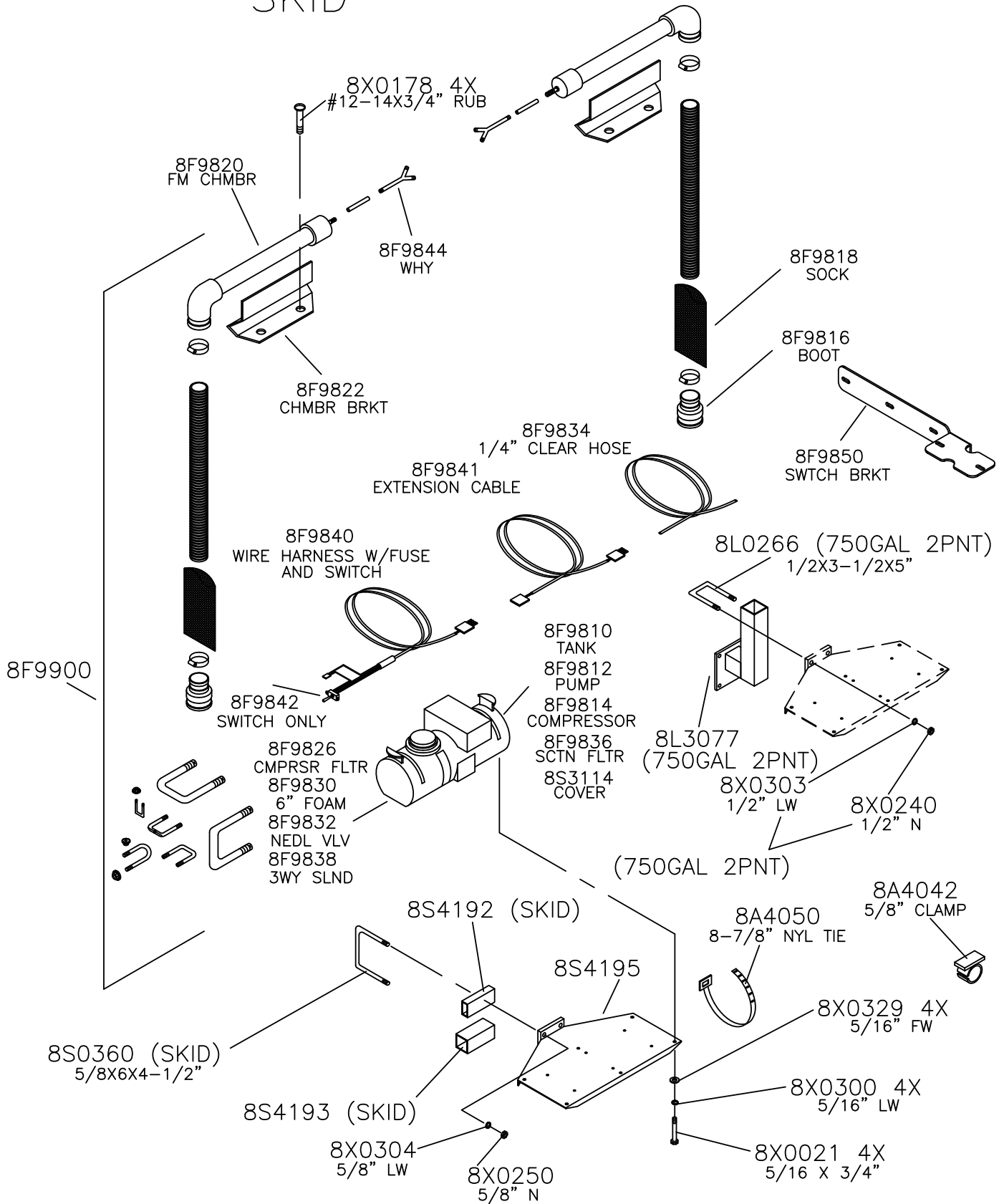
TRUCK SPRAYER LIGHT MOUNTING KIT

8A4048
11" NYL TIE
8A4052
15 1/4" NYL TIE



8.22

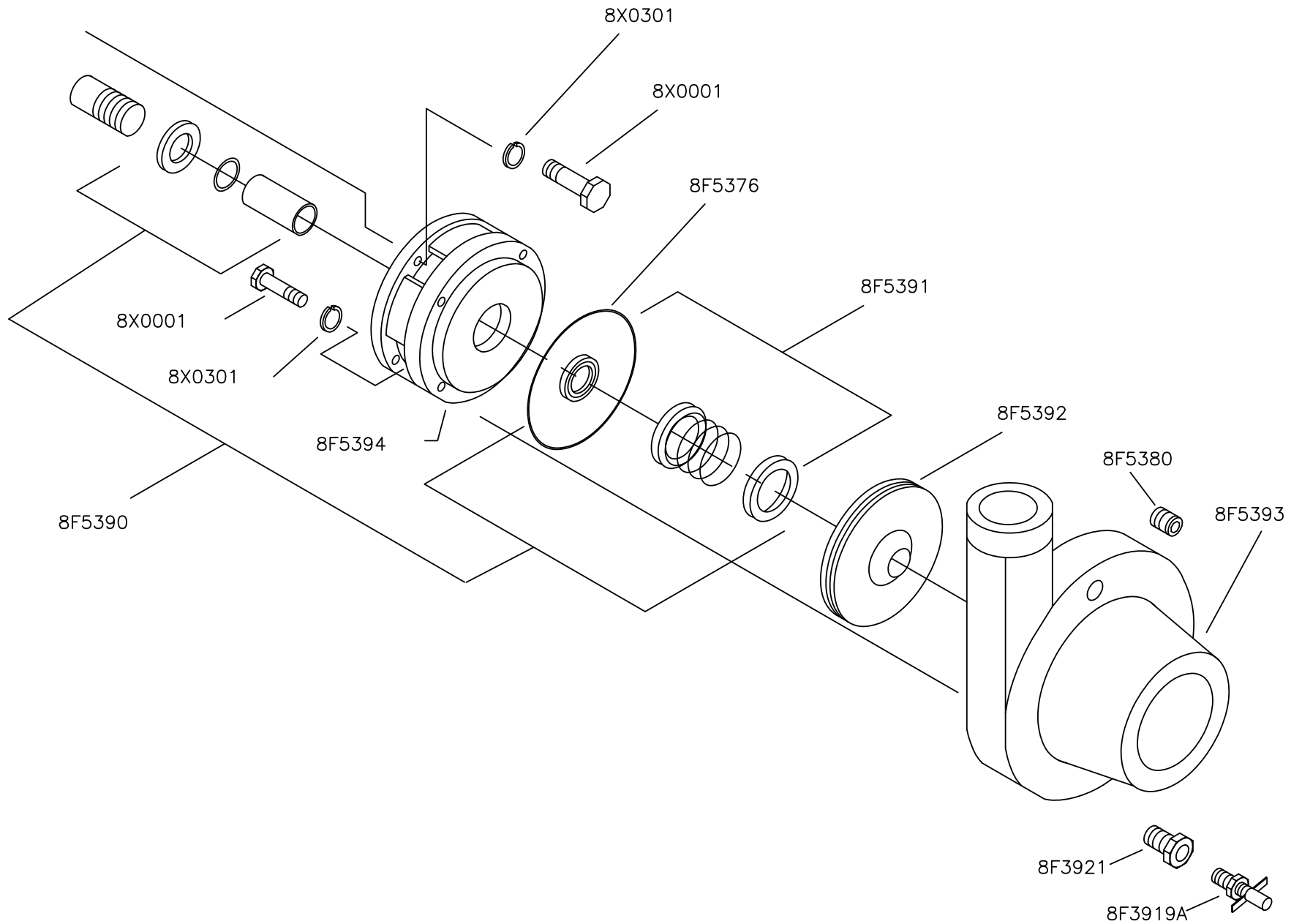
FOAM MARKER OPTION SKID



8F9970 SKID

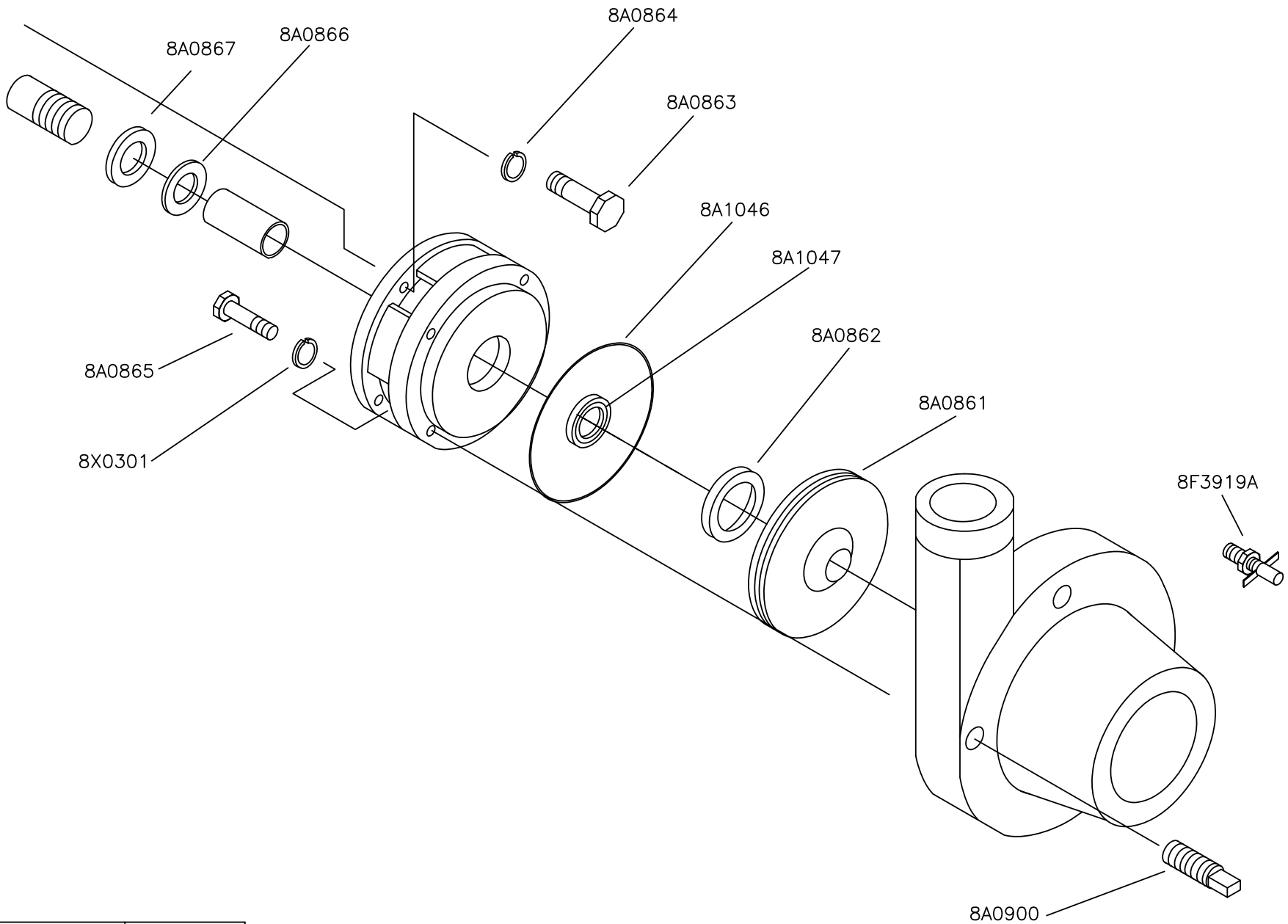
2/12/04

TRUCK SPRAYER 420 SCOT PUMP FOR 8HP ENGINE – 8F5362



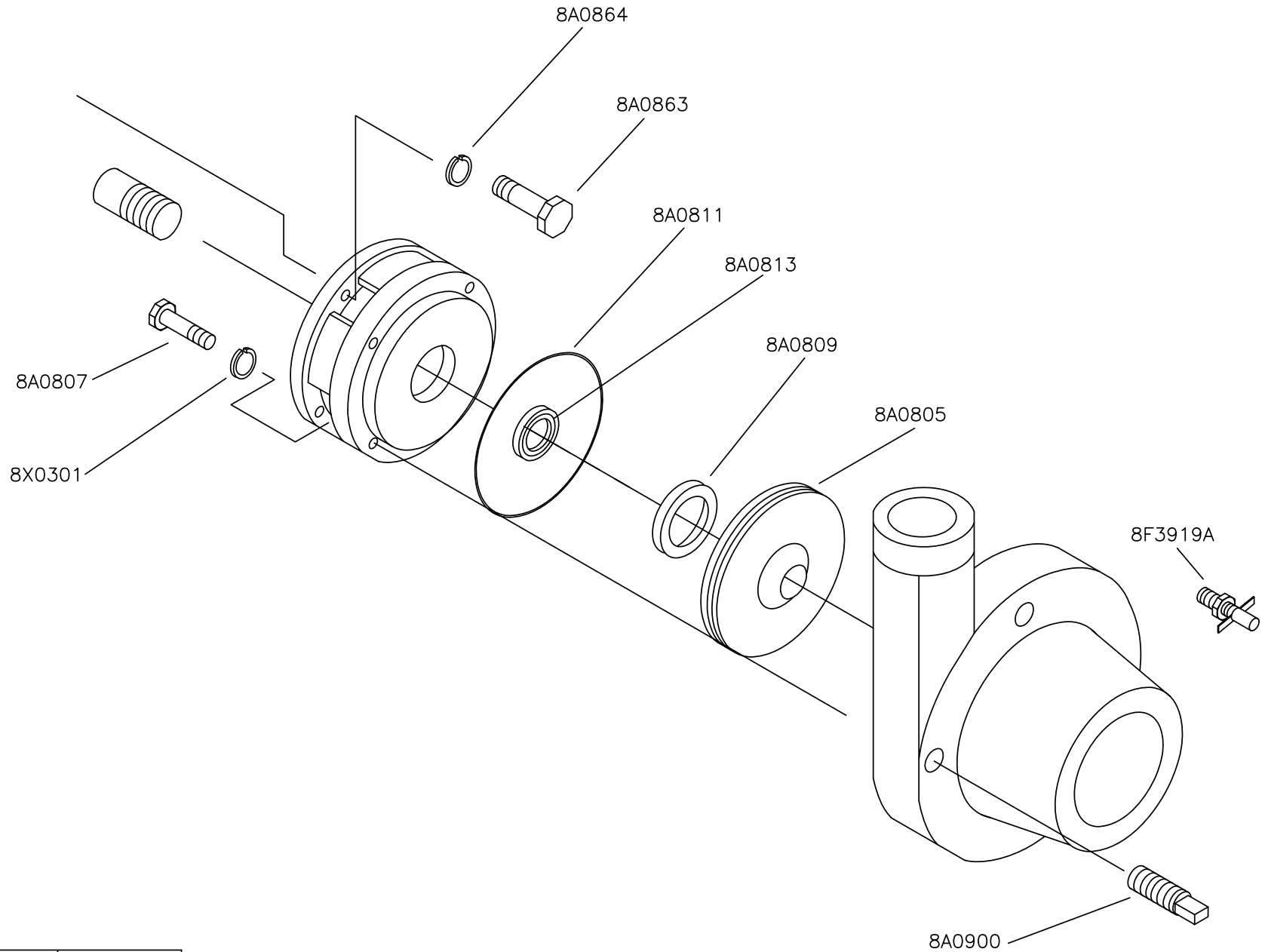
8.24

TRUCK SPRAYER HYPRO 1538 FOR 5.5HP ENGINE – 8F5360



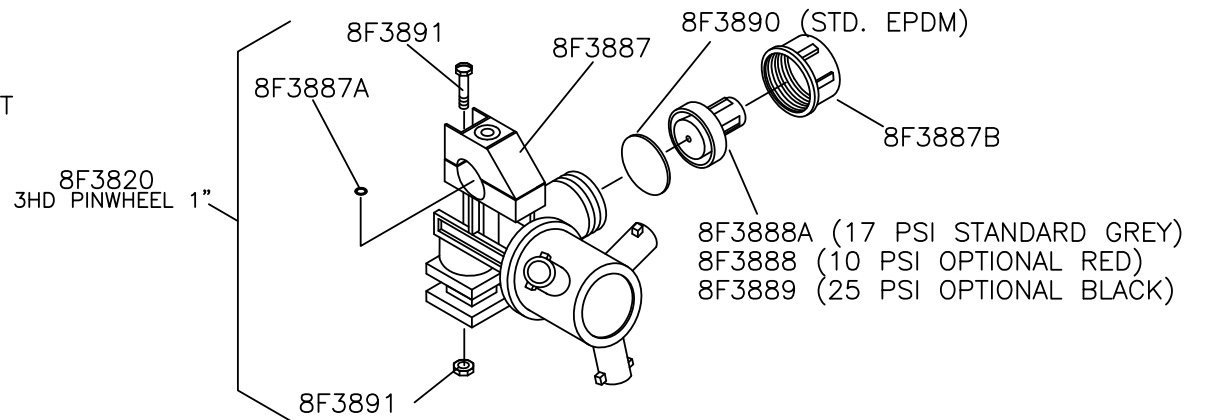
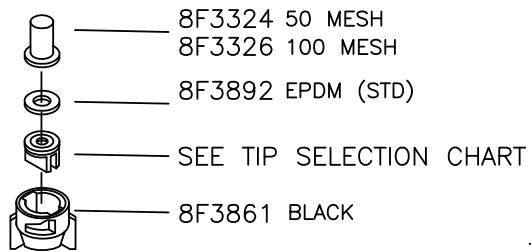
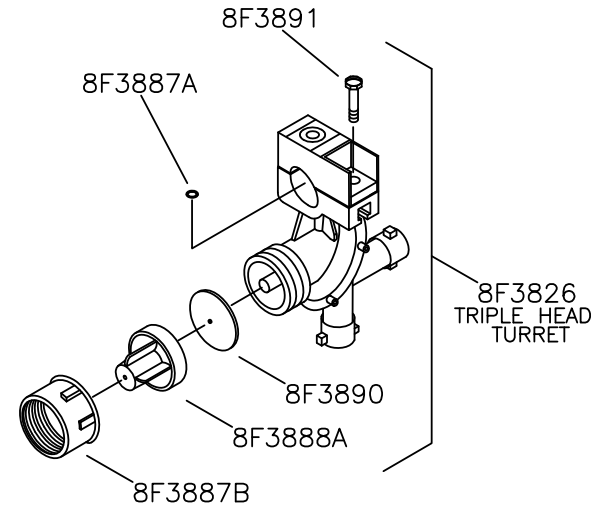
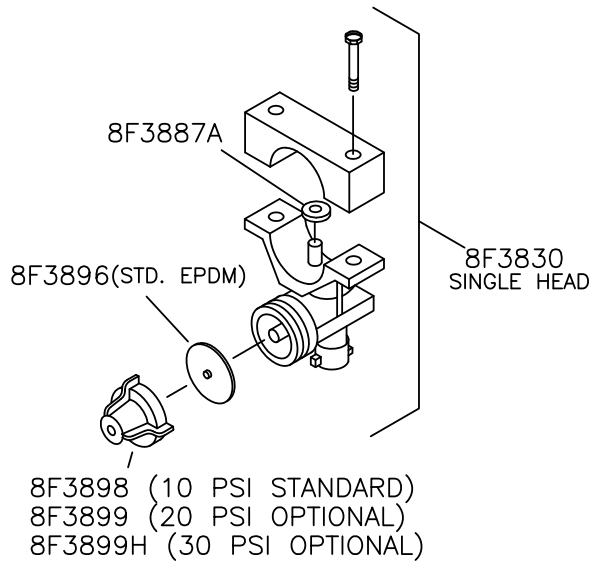
8.25

TRUCK SPRAYER HYPRO 1551 FOR 9HP ENGINE – 8F5364



8.26

2-PT & TRUCK SPRAYER WET BOOM NOZZLE ASSEMBLIES



8.27

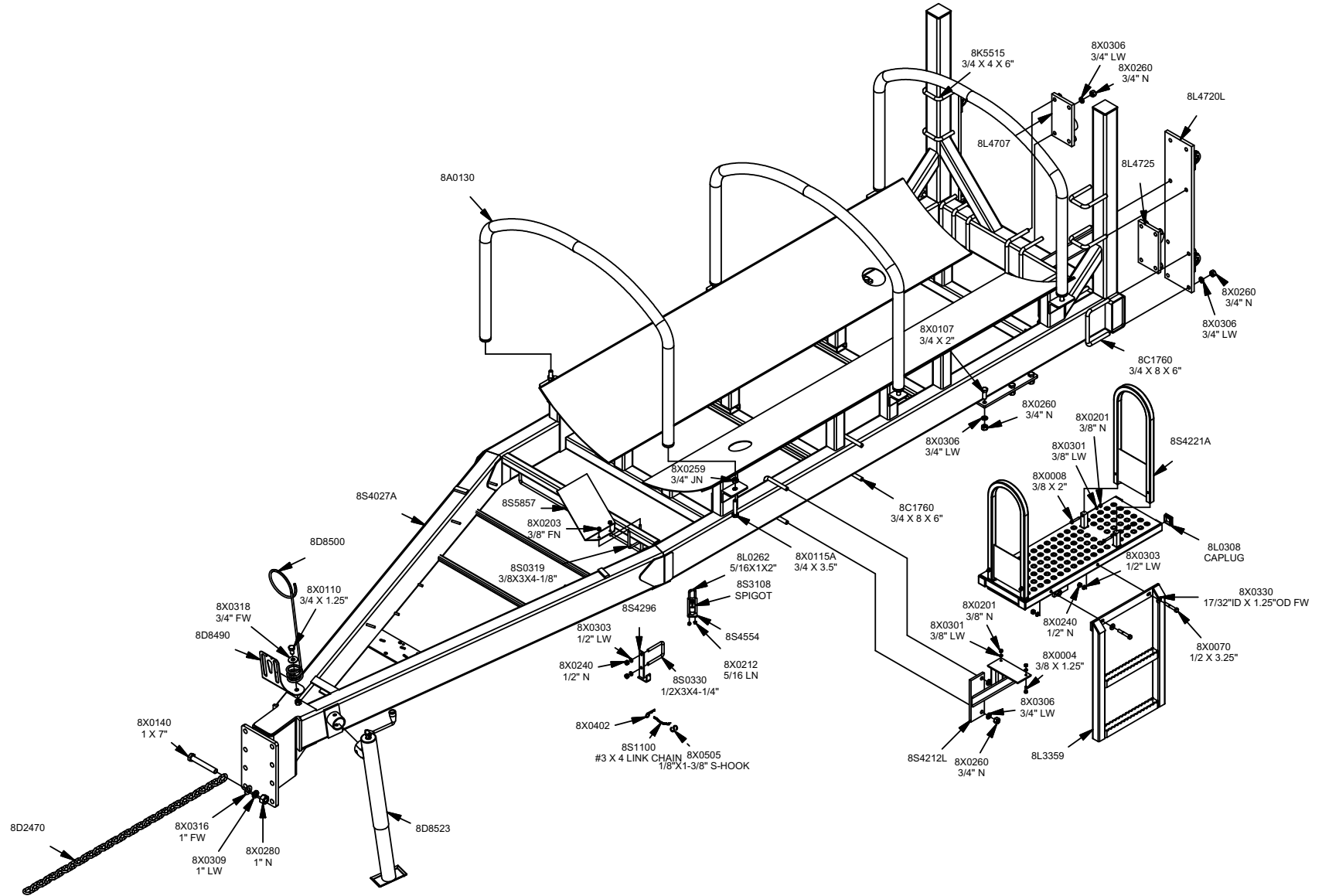
ULTIMATE NT SUPER SPRAYER & ULTRA NT SUPERSPRAYER

4X8 Cart Package - 1000 Gallon	9.1 - 9.2
4X8 Cart Package - 1500 Gallon	9.3 - 9.4
Narrow Axle Package	9.5
Wide Axle Package	9.6
Beet Special Axle	9.7
12000LB Hub	9.8
15000LB Hub	9.9
Single 480/80R38	9.10
Single 380/90R46	9.11
Dual 380/90R46	9.12
200 Gal. Single Tank	9.13
Common Plumbing Package	9.14
Standard Cap / Pressure Hydraulic Pump	9.15
Stainless Steel Hydraulic Pump Package	9.16
Standard Cap / Pressure Hydraulic Pump Packages	9.17 - 9.18
Standard Cap / Pressure PTO Pump Package	9.19
Honda Pump	9.20
205/ 450 Control System	9.21 - 9.23
Electronic Pressure Gauge	9.24
Speed Sensor	9.25
Radar Gun w/ Mount	9.26
50' Center Boom	9.27 - 9.29
60' Center Boom	9.30 - 9.32
100' Center Boom	9.33 - 9.35
5 Function Manifold Valve	9.36
6 Function Manifold Valve	9.37
50' Part 2 Boom	9.38
40' Part 2 Boom	9.39
30' Part 2 Boom	9.40
20' Part 2 Boom	9.41
10' Part 2 Boom	9.42
33'4" Part 3 Boom	9.43
20' Part 3 Boom	9.44
6'8" Ext 2 Boom	9.45
3'4" Ext. 2 Boom	9.46
Equal Boom Width	9.47

100' Center Wet Boom	9.48
60' Center Wet Boom	9.49
50' Center Wet Boom	9.50
50' Part 2 Wet Boom	9.51
40' Part 2 Wet Boom	9.52
30' Part 2 Wet Boom	9.53
20' Part 2 Wet Boom	9.54
10' Part 2 Wet Boom	9.55
33'4" Part 3 Wet Boom	9.56
20' Part 3 Wet Boom	9.57
6'8" Part 3 Wet Boom	9.58
3'4" Part 3 Wet Boom	9.59
Windshield Package	9.60
Control Grip	9.61
Inductor Packages	9.62 - 9.63
2" Bottom Fill	9.64 - 9.65
Rinse Tank Package	9.66
Cross Over Plumbing Packages	9.67 - 9.68
Rinse Nozzle w/o Rinse Tank	9.69 - 9.70
Wash Wand Packages	9.71 - 9.72
End Nozzles	9.73 - 9.74
Electric End Nozzle Solenoid	9.75
Electric Agitator Shutoff	9.76
SCS-205 / 450 Control Console	9.77
Norac Boom Leveling Package	9.78 - 9.79
Hydraulic Control Switch Box	9.80
TeeJet & Swivel-Jet Components	9.81
Boom Line Strainer	9.82
Ultra Light Kit	9.83
Ultimate Light Kit	9.84
Foam Marker	9.85
Hydraulic Pump Components	9.86
Centrifugal Pump Components	9.87
Electric Agitator Shutoff Assembly	9.88
Manifold Valve	9.89
Flowmeter	9.90

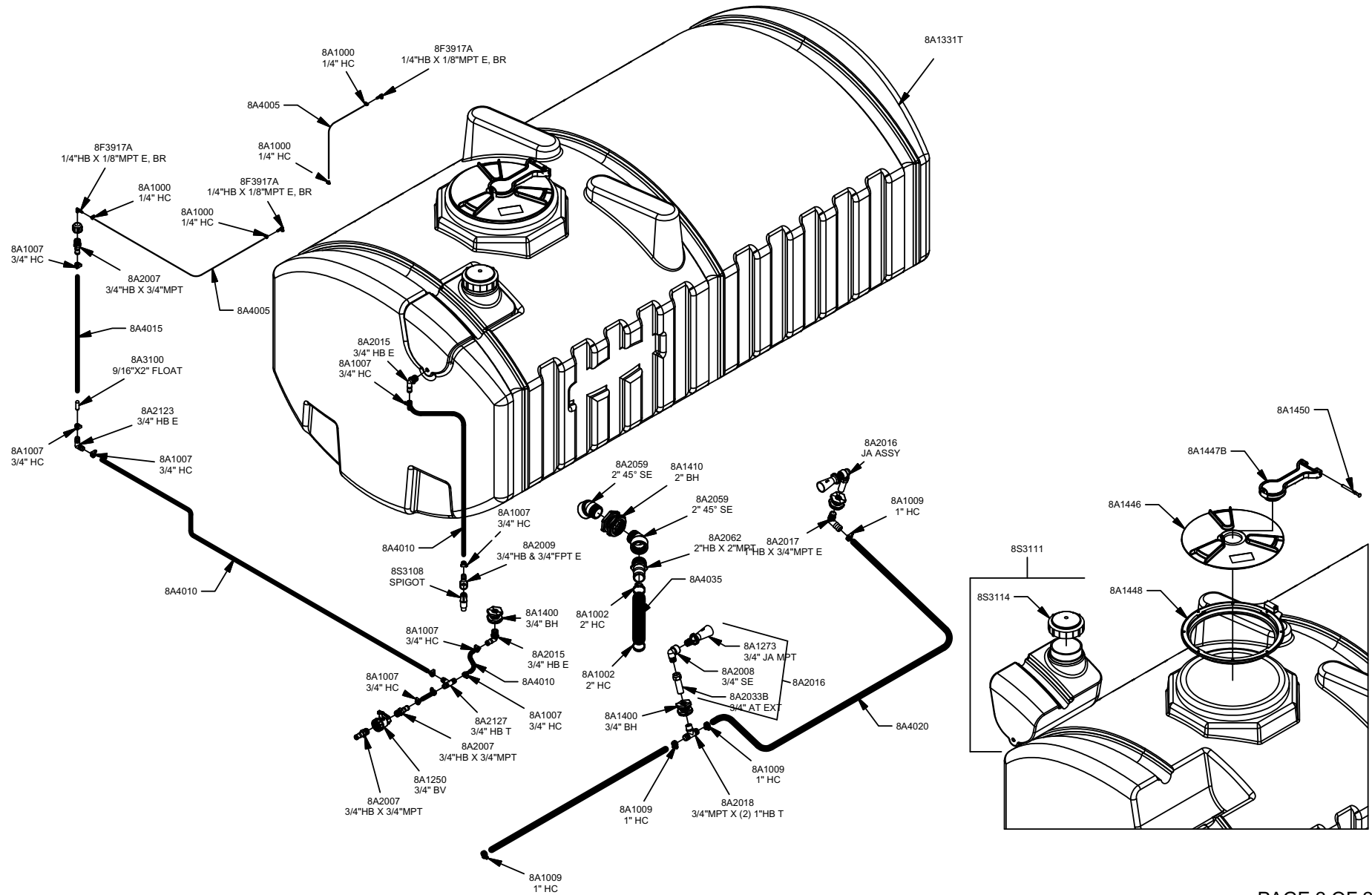
4 X 8 CART PACKAGE - 1000 GAL TANK

9.1



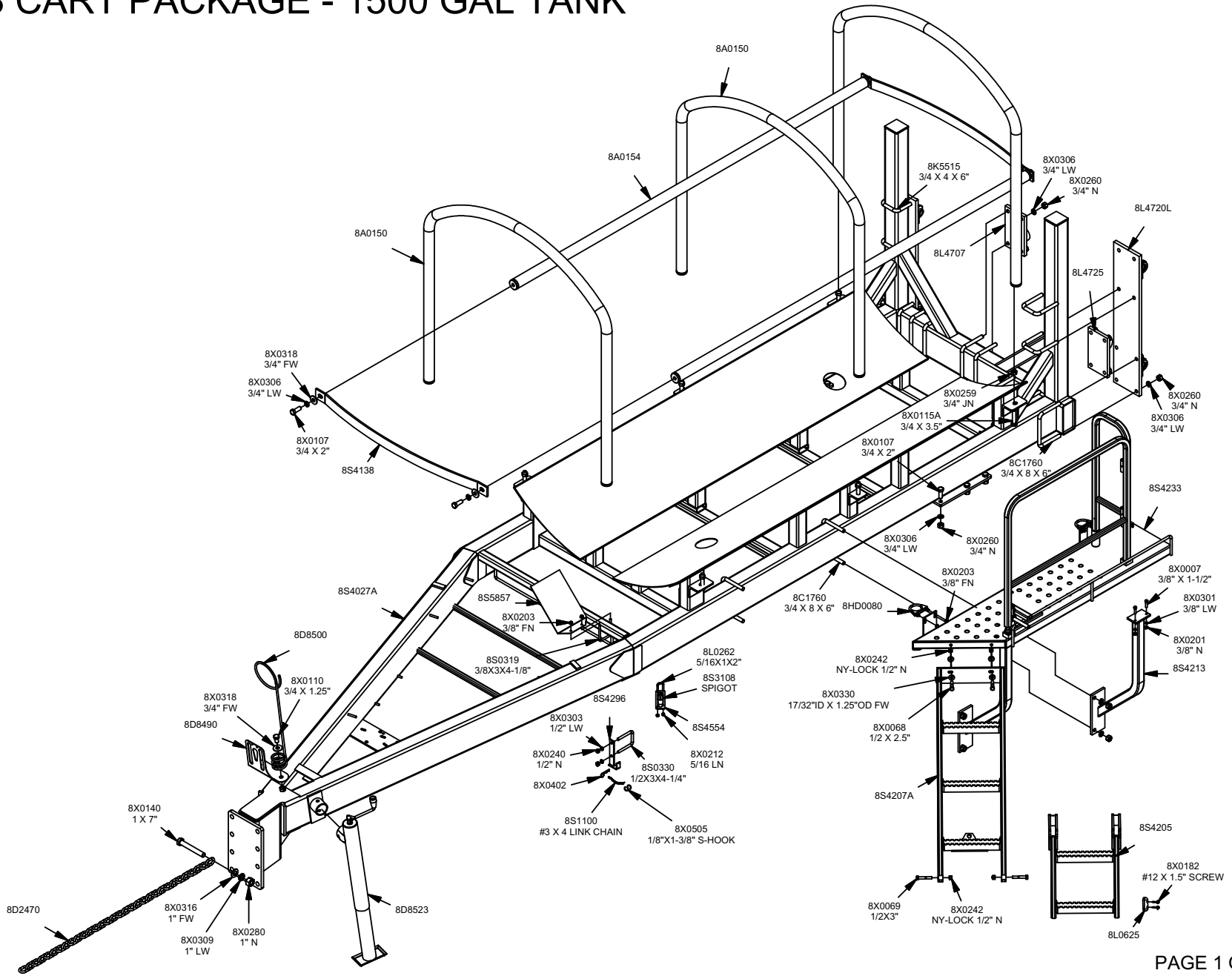
4 X 8 CART PACKAGE - 1000 GAL TANK

9.2



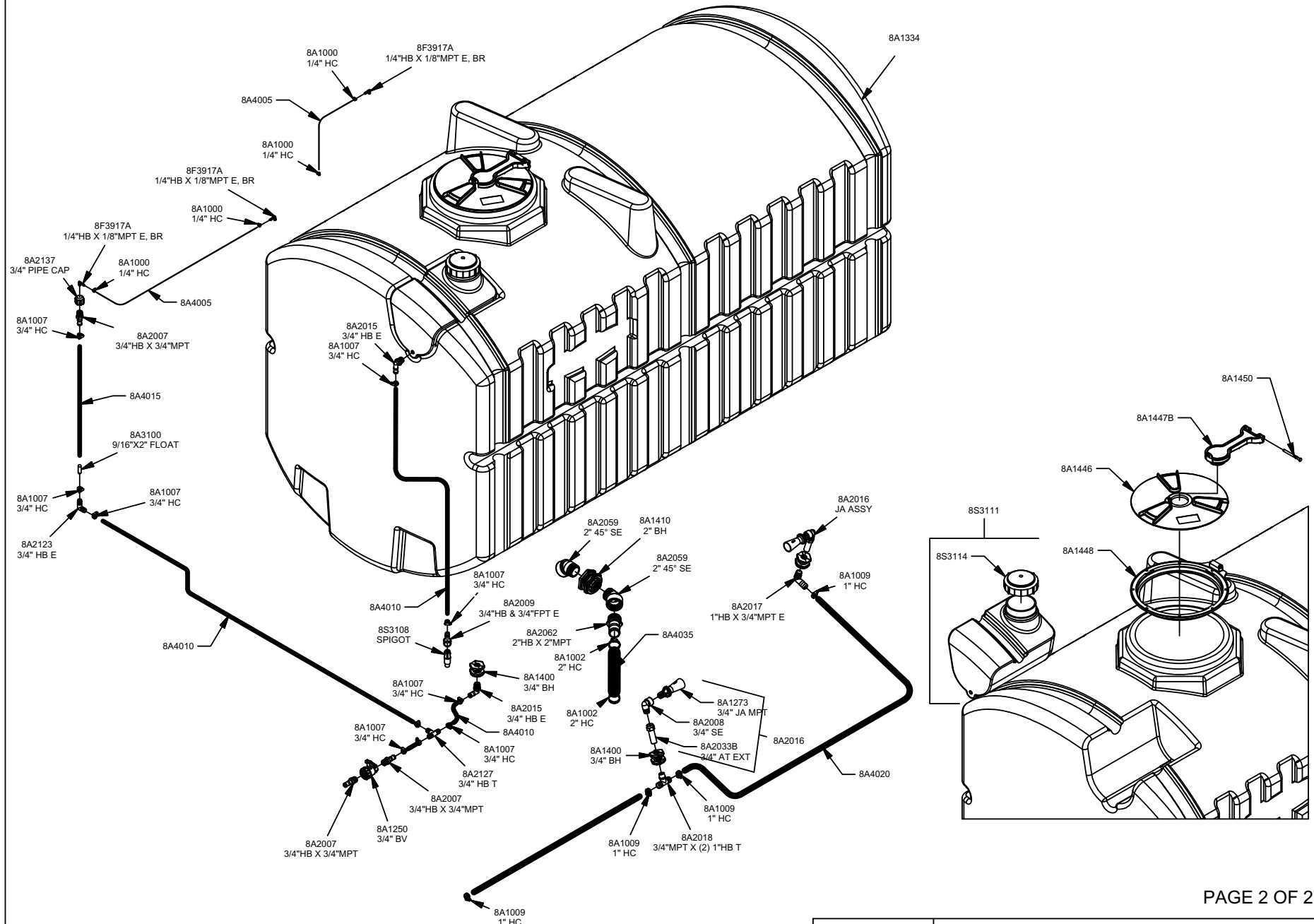
4 X 8 CART PACKAGE - 1500 GAL TANK

9.3

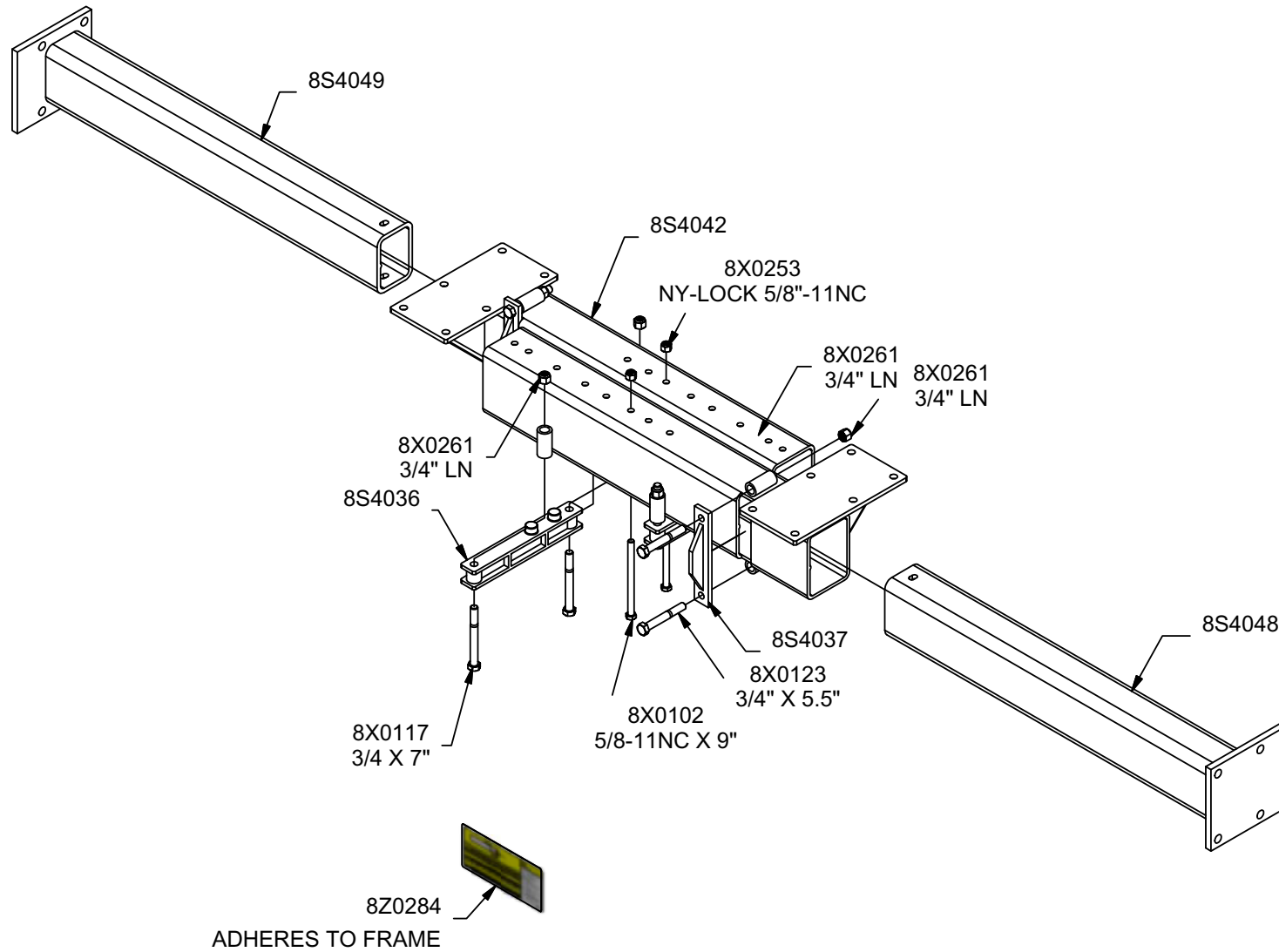


4 X 8 CART PACKAGE - 1500 GAL TANK

9.4



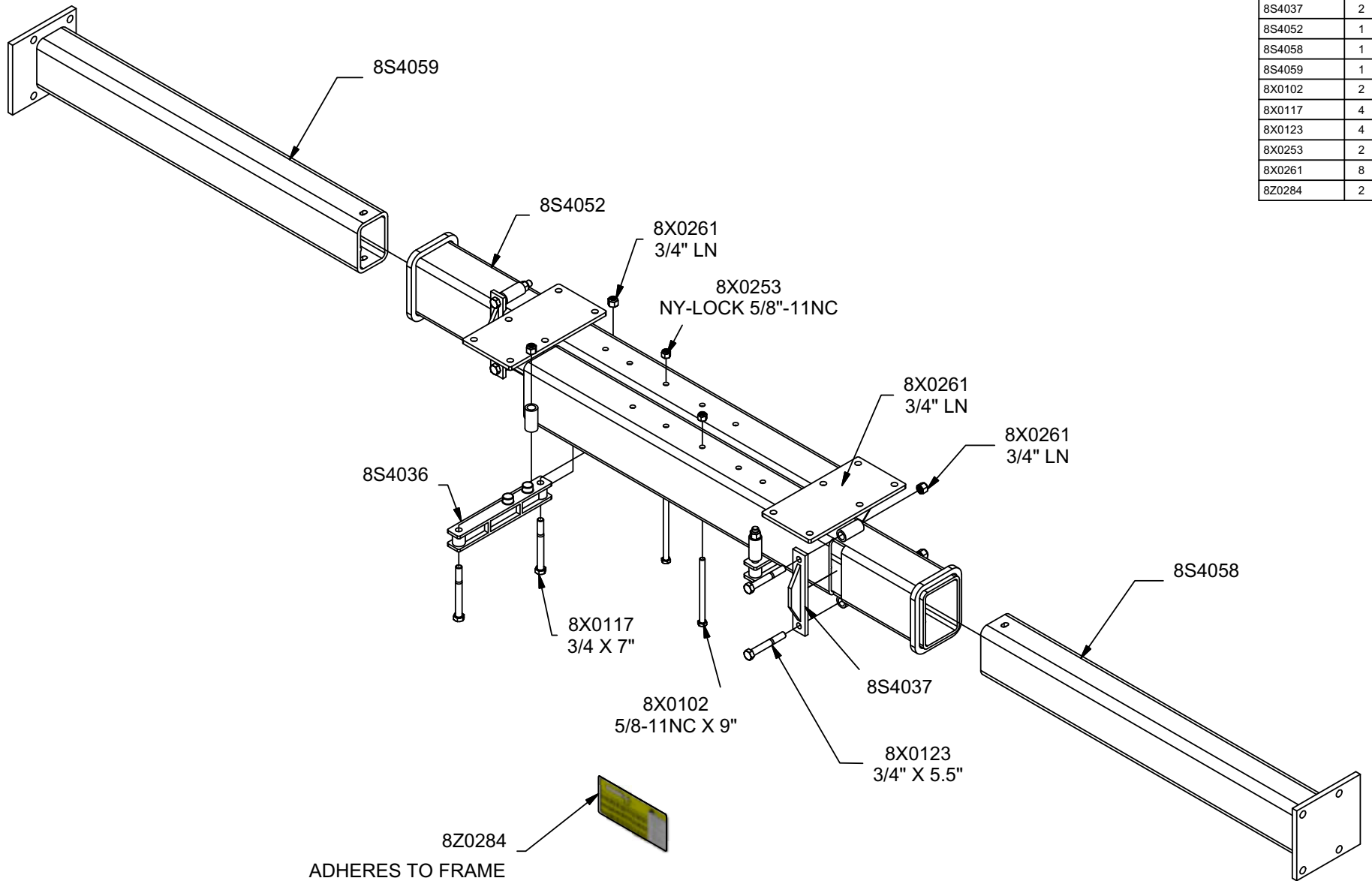
PN	QTY
8S4036	2
8S4037	2
8S4042	1
8S4048	1
8S4049	1
8X0102	2
8X0117	4
8X0123	4
8X0253	2
8X0261	8
8Z0284	2



9.5

PN	QTY
8S4036	2
8S4037	2
8S4052	1
8S4058	1
8S4059	1
8X0102	2
8X0117	4
8X0123	4
8X0253	2
8X0261	8
8Z0284	2

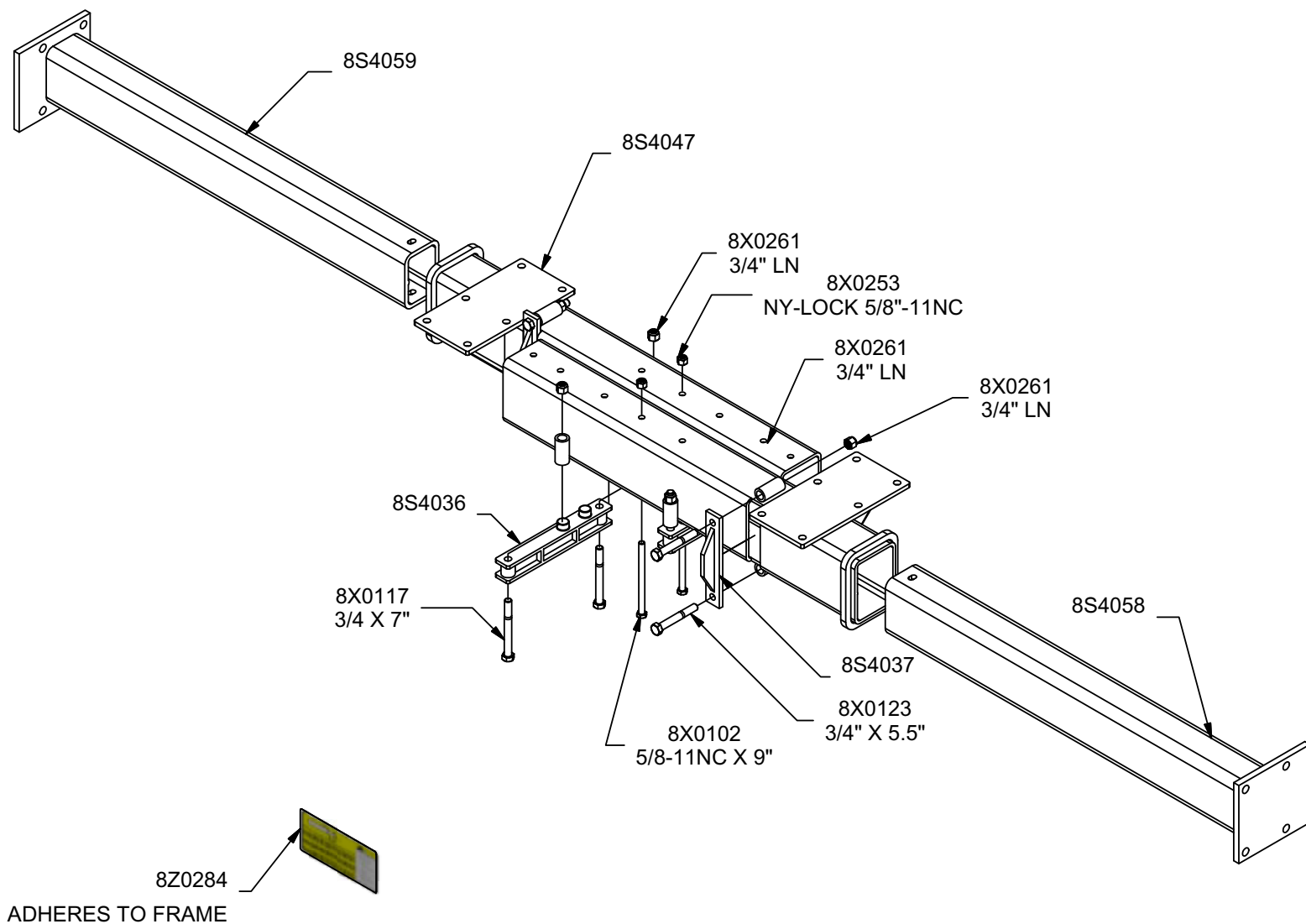
9'6"



11/22/2004

8S9399.iam/WIDE AXLE PACKAGE

PN	QTY
8S4036	2
8S4037	2
8S4047	1
8S4058	1
8S4059	1
8X0102	2
8X0117	4
8X0123	4
8X0253	2
8X0261	8
8Z0284	2



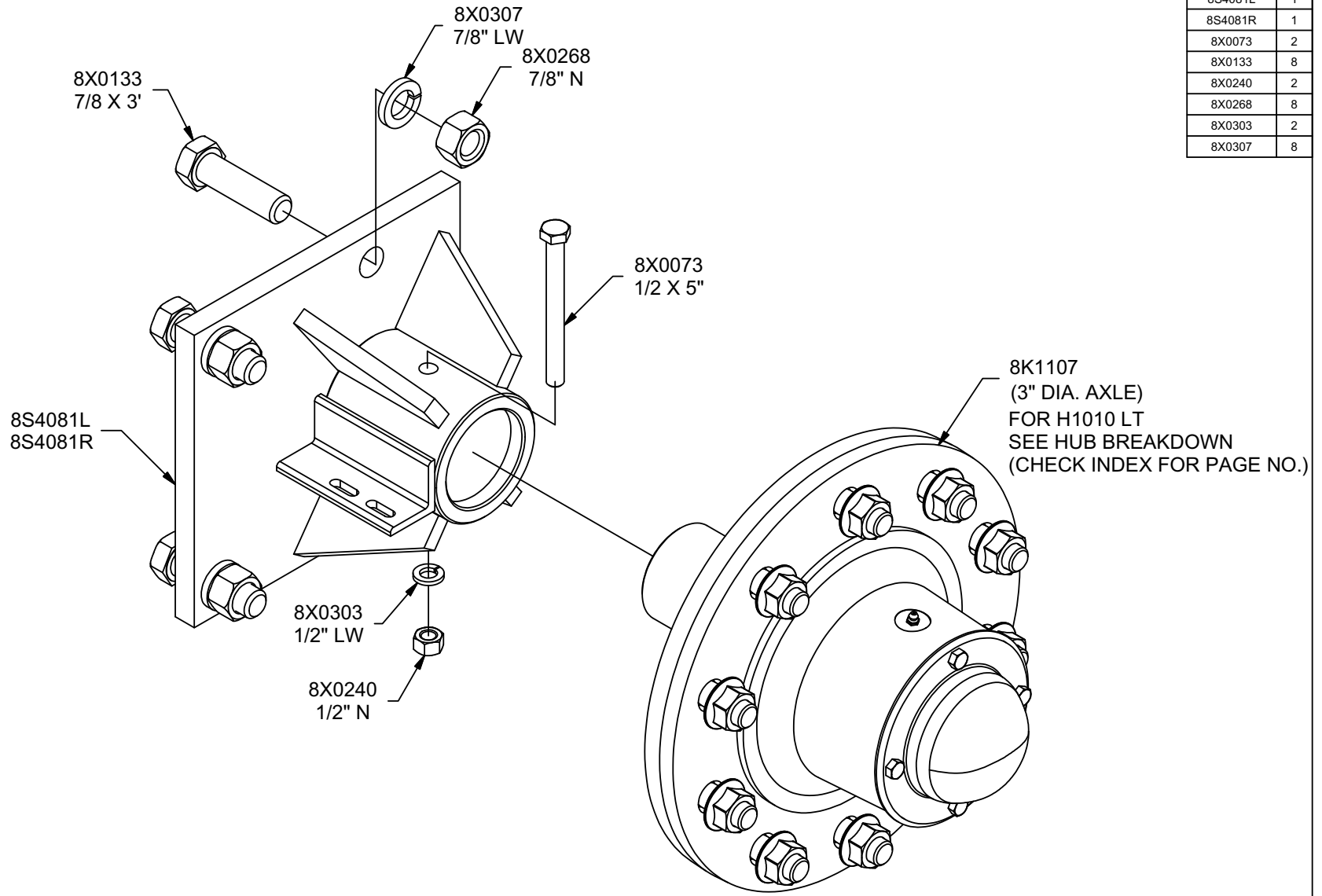
9.7

11/22/2004

8S9400.iam/BEET SPECIAL AXLE

12000 LB HUB PACKAGE

PN	QTY
8K1107	2
8S4081L	1
8S4081R	1
8X0073	2
8X0133	8
8X0240	2
8X0268	8
8X0303	2
8X0307	8

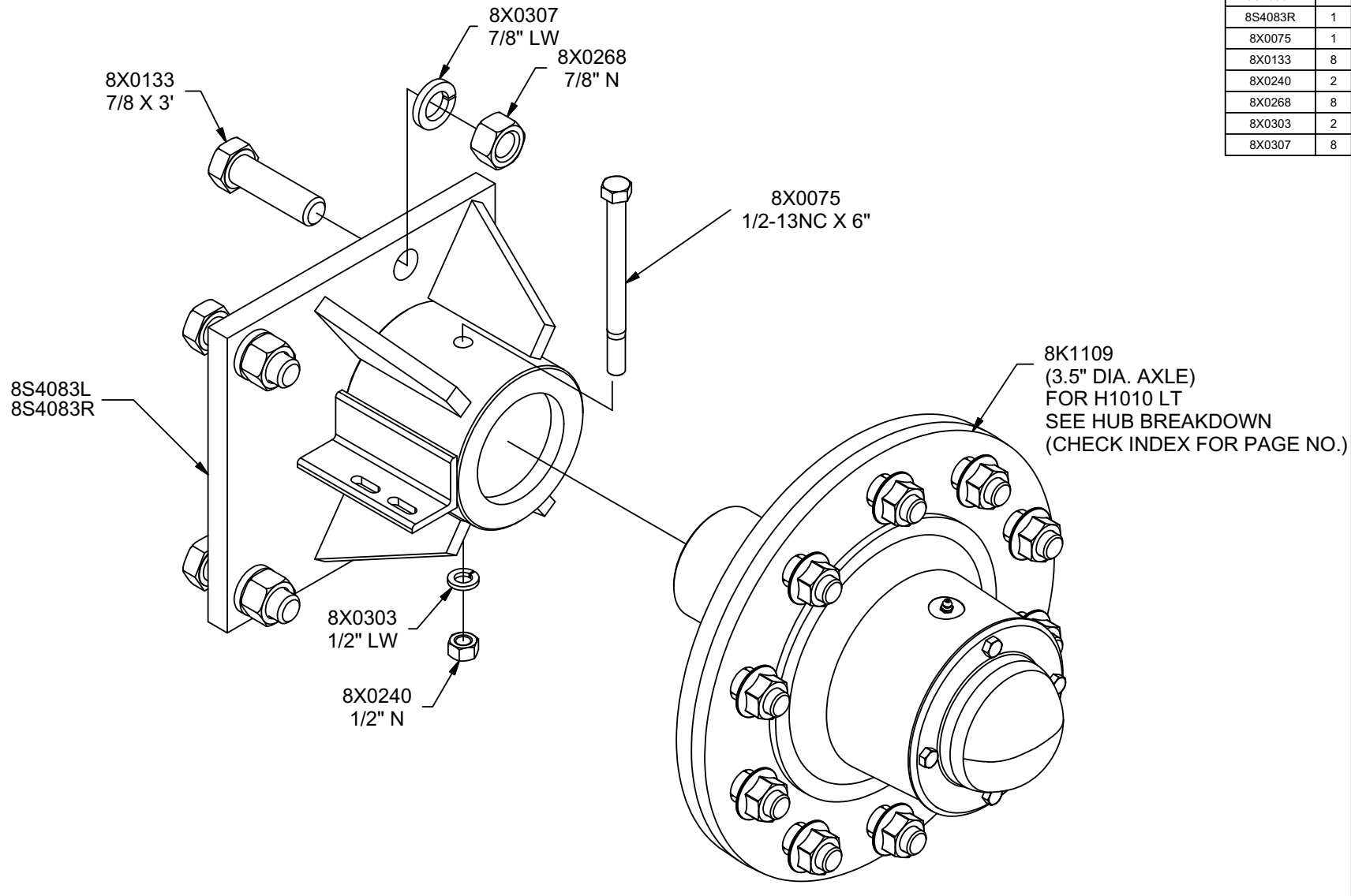


LEFT SIDE SHOWN

8'6

15000 LB HUB PACKAGE

PN	QTY
8K1109	2
8S4083L	1
8S4083R	1
8X0075	1
8X0133	8
8X0240	2
8X0268	8
8X0303	2
8X0307	8

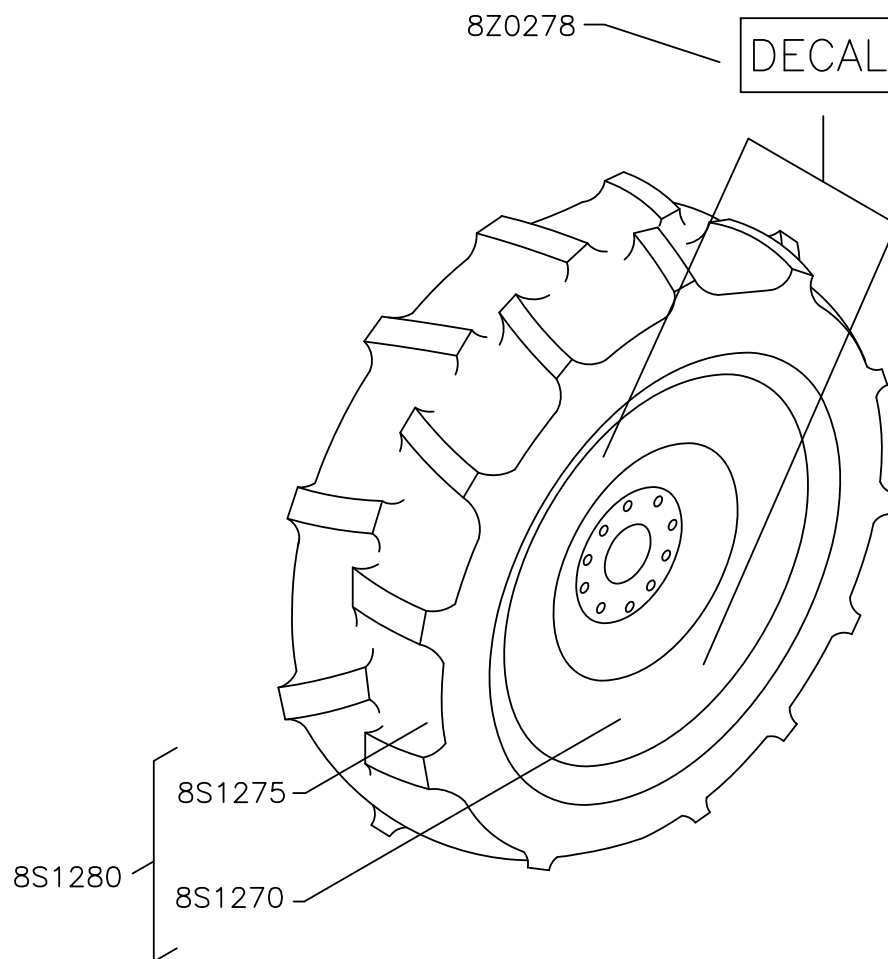


LEFT SIDE SHOWN

6'6

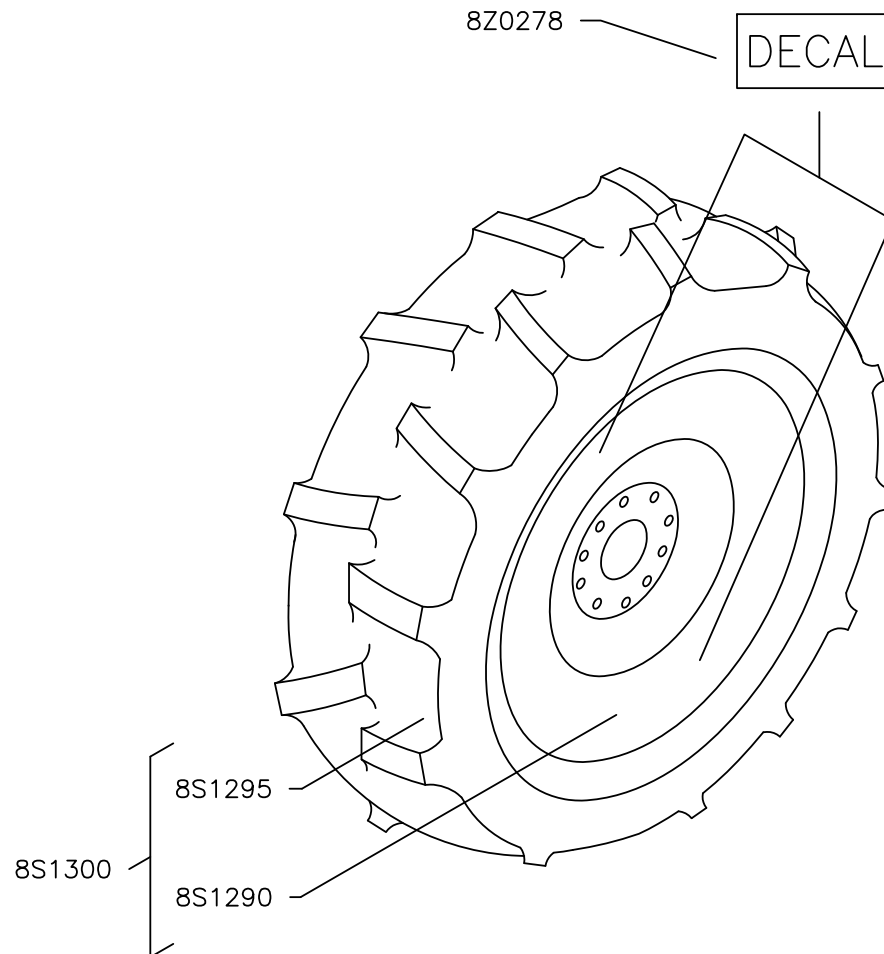
SINGLE 480/80R38 TRACTOR TIRE/RIM PACKAGE (ULTIMATE)

9.10



*SET AXLE TO 88" WHEEL SPACING.
*TIGHTEN WHEEL NUTS TO 220 FT. LBS.

SINGLE 380/90R46 TRACTOR TIRE/RIM PACKAGE (ULTIMATE)



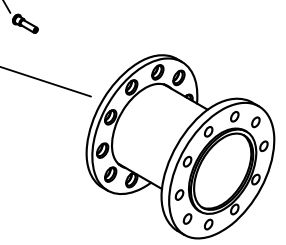
*SET AXLE TO 88" WHEEL SPACING.
*TIGHTEN WHEEL NUTS TO 220 FT. LBS.

9.11

DUAL 380/90R46 TRACTOR TIRE/RIM PACKAGE (ULTRA)

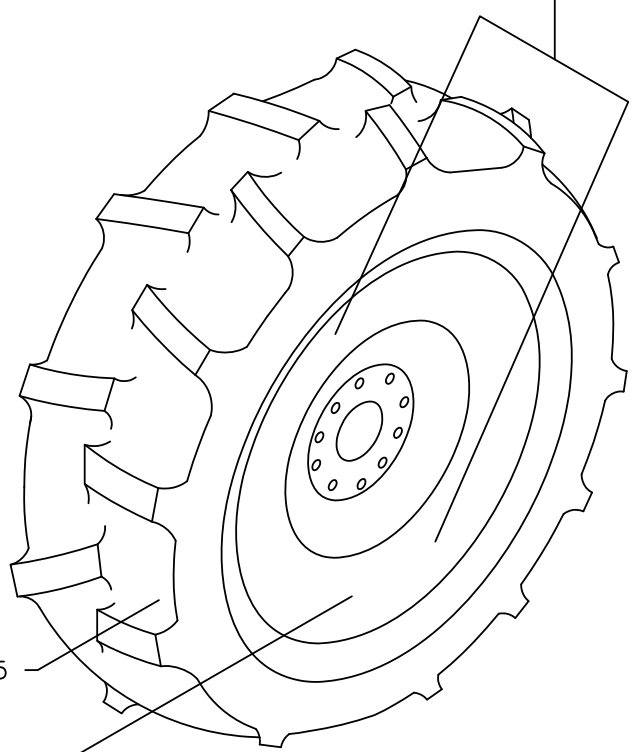
8K7215B 20X

8S4010



8Z0278

DECAL



8S1295

8S9397

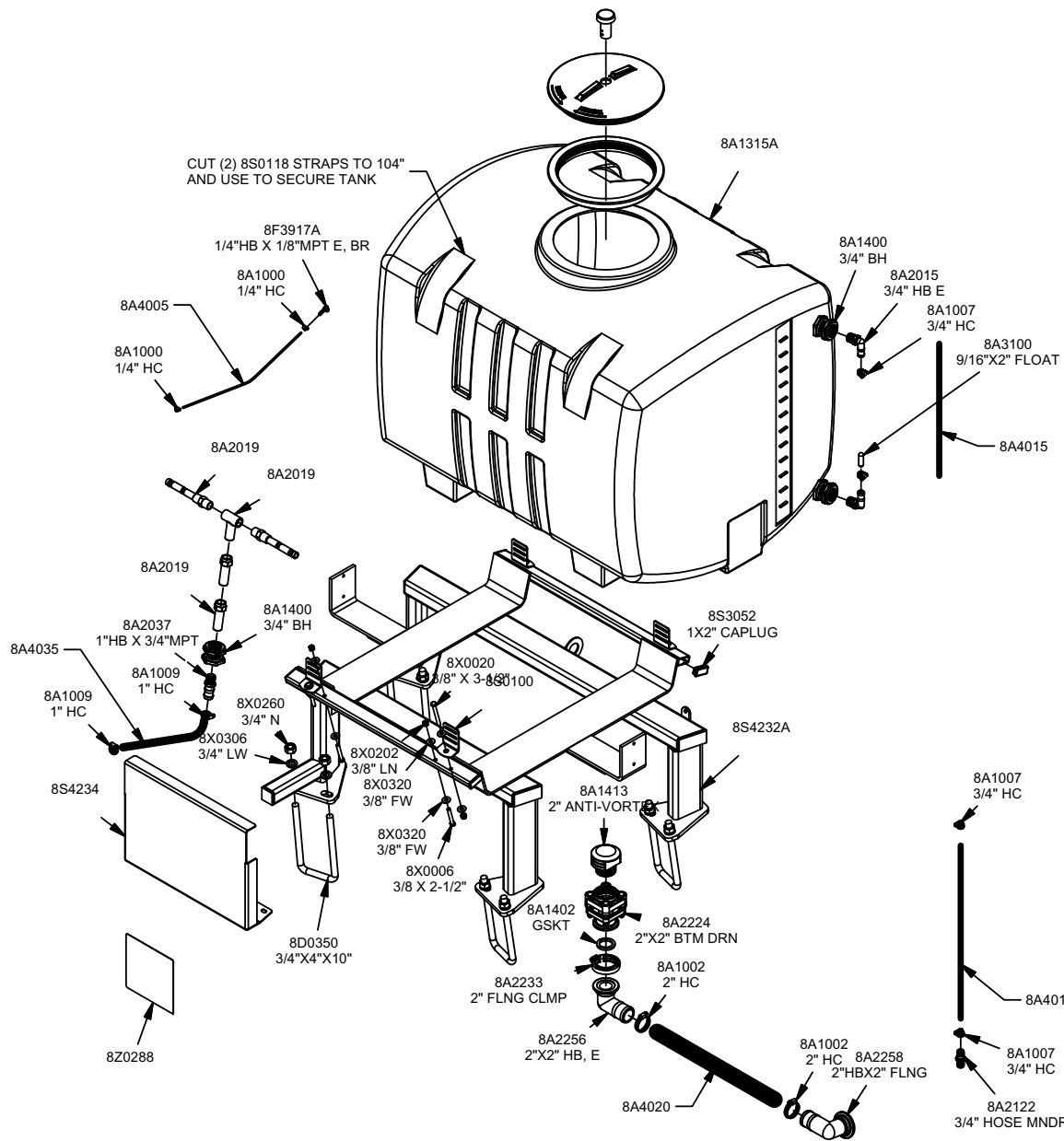
8S1292

*TIGHTEN WHEEL NUTS TO 220 FT. LBS.

9.12

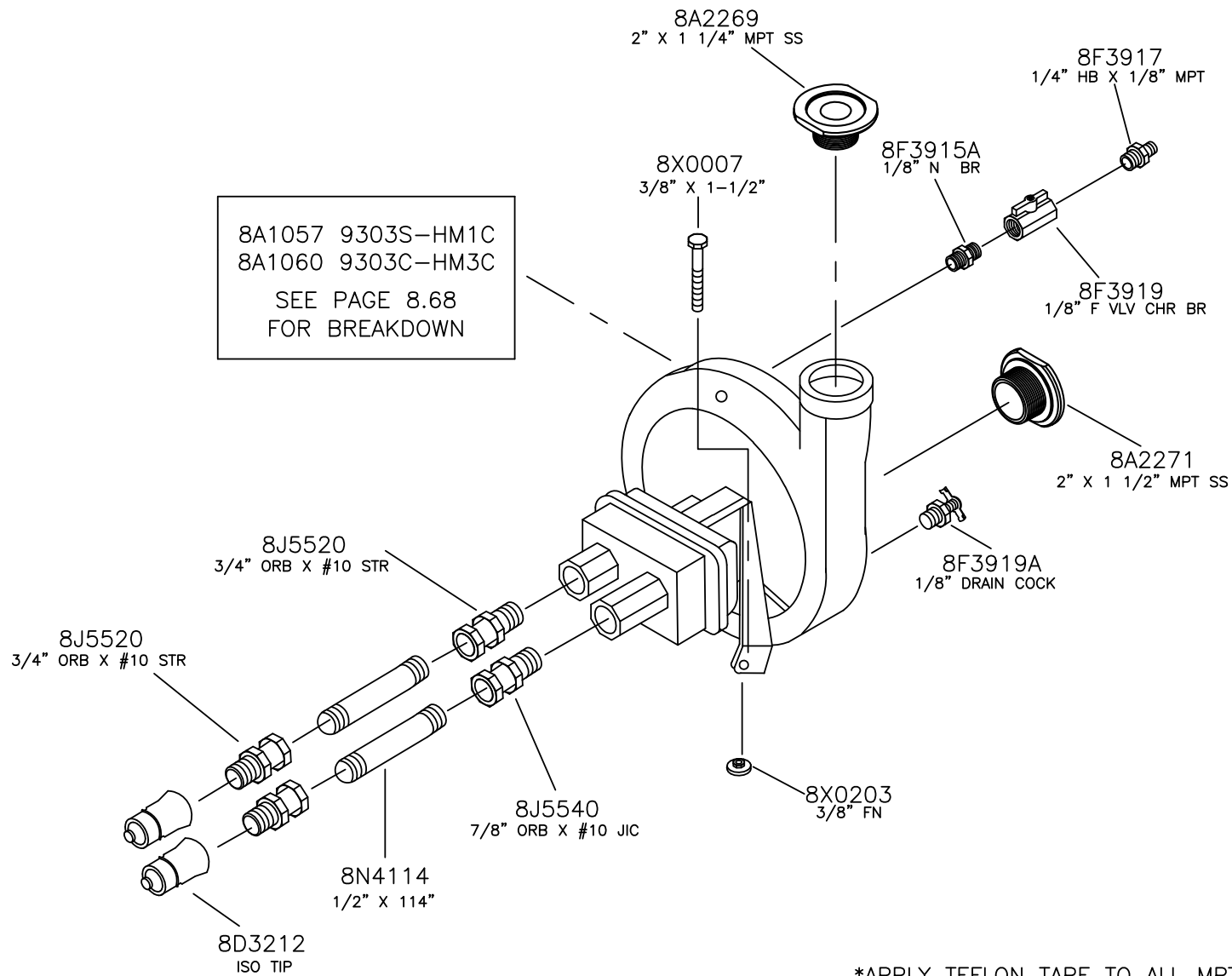
200 GALLON SINGLE TANK PACKAGE

PN	QTY
8A1000	2
8A1002	2
8A1007	4
8A1009	2
8A1315A	1
8A1400	3
8A1402	1
8A1413	1
8A2015	2
8A2019	1
8A2037	1
8A2048	2
8A2106	-2
8A2122	1
8A2224	1
8A2233	1
8A2256	1
8A2258	1
8A2291	1
8A3100	1
8A4005	9'
8A4010	5'
8A4015	1.92'
8A4020	2.33'
8A4035	2.25'
8A4048	4
8A4050	5
8A4052	5
8D0350	4
8F3917A	1
8S0100	4
8S3052	4
8S4232A	1
8S4234	1
8X0006	2
8X0020	4
8X0202	6
8X0260	8
8X0306	8
8X0320	12
8Z0089	1
8Z0288	1
8Z0542	1
8Z0546	1
8Z0548	1
8Z0552	1



9.13

STANDARD CAP/PRESSURE HYDRAULIC PUMP PACKAGES



*APPLY TEFLON TAPE TO ALL MPT/FPT CONNECTIONS.

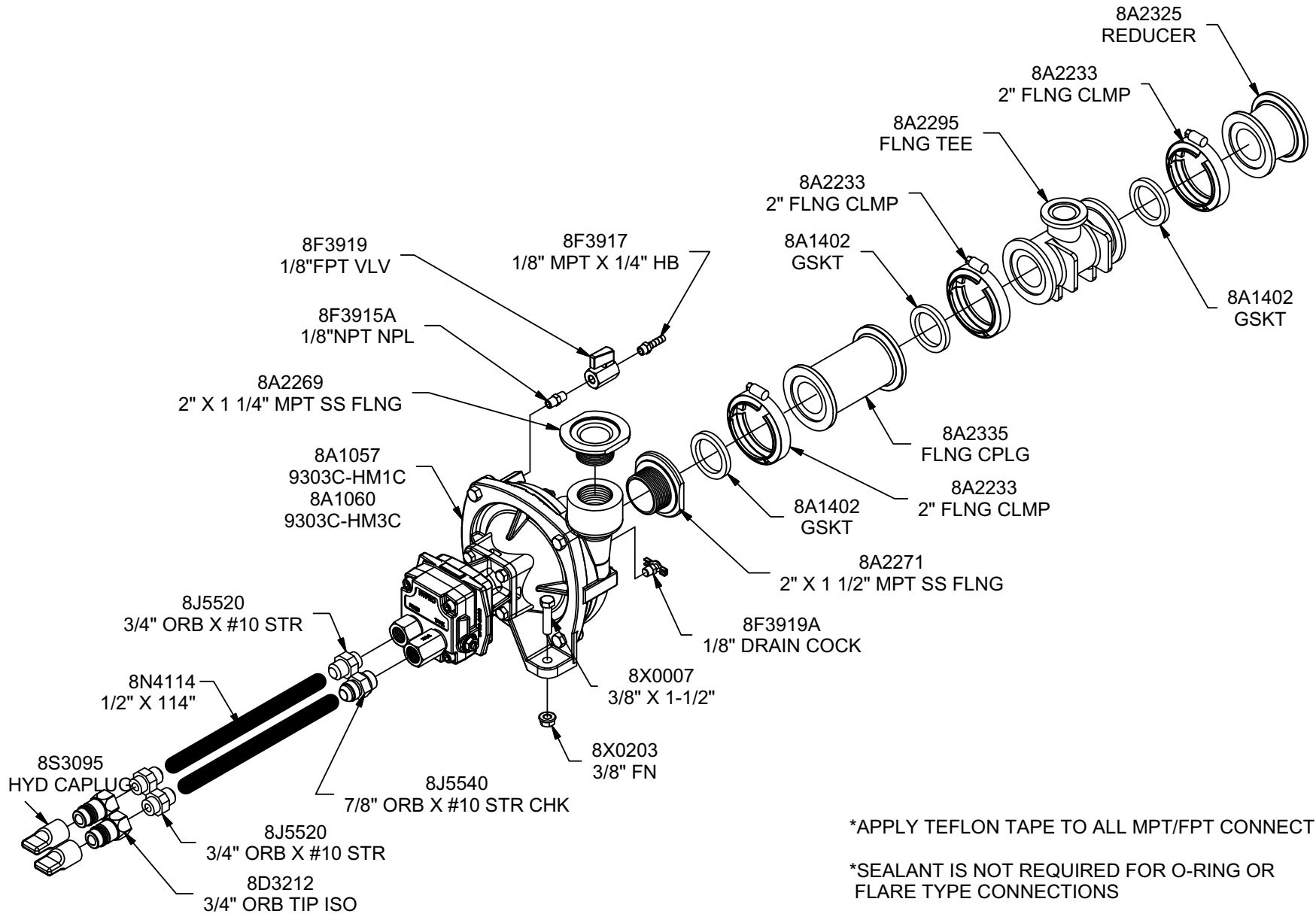
*SEALANT IS NOT REQUIRED FOR O-RING OR FLARE TYPE CONNECTIONS.

8S9454 HM3C, PKG

8S9463 HM1 STAINLESS, PKG 4/17/07

STAINLESS STEEL HYDRAULIC PUMP PACKAGE

9.16

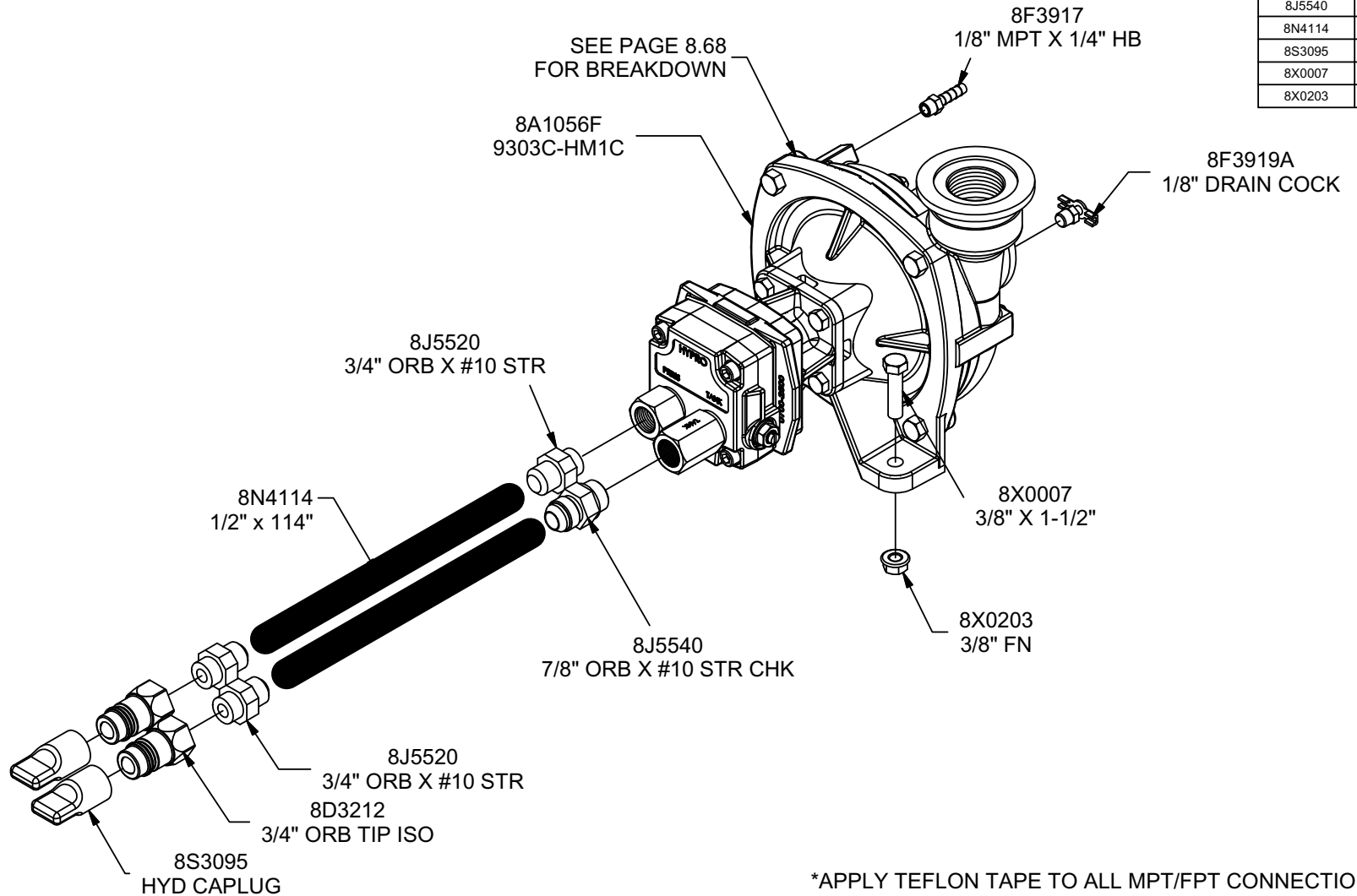


*APPLY TEFLON TAPE TO ALL MPT/FPT CONNECTIONS
 *SEALANT IS NOT REQUIRED FOR O-RING OR FLARE TYPE CONNECTIONS

	8S9454/HM3C STD CAP/PUMP PKG
12/2/2008	8S9463/HM1S STD CAP/STAINLESS PMP PKG

STANDARD CAP/PRESSURE HYDRAULIC FLANGED PUMP PACKAGE

PN	QTY
8A1056F	1
8D3212	2
8F3917	1
8F3919A	1
8G2282	6
8J5520	3
8J5540	1
8N4114	2
8S3095	2
8X0007	2
8X0203	2

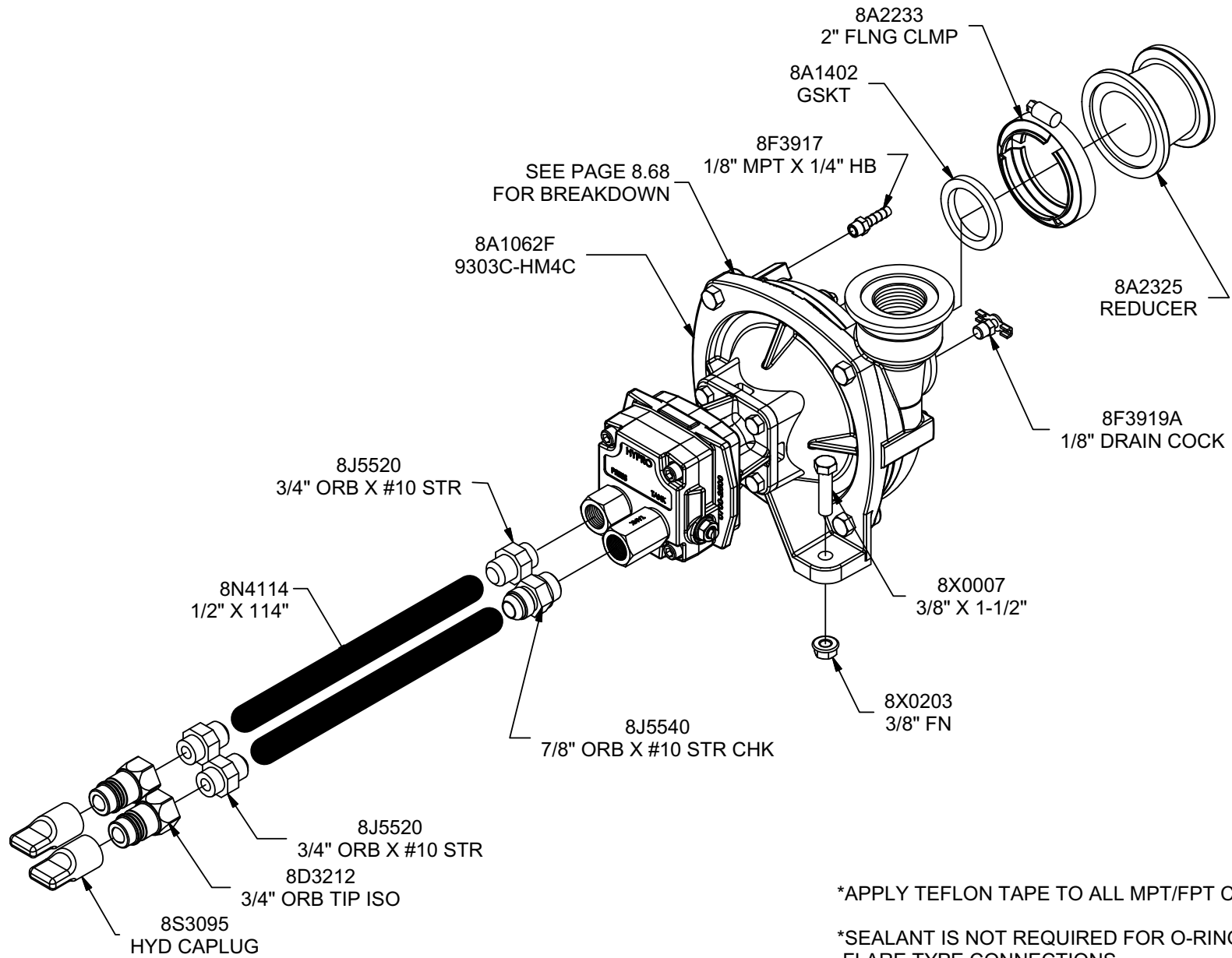


*APPLY TEFLON TAPE TO ALL MPT/FPT CONNECTIONS

*SEALANT IS NOT REQUIRED FOR O-RING OR FLARE TYPE CONNECTIONS

11/25/2008 8S9453/HM1C STD CAP/PRESSURE PUMP PKG

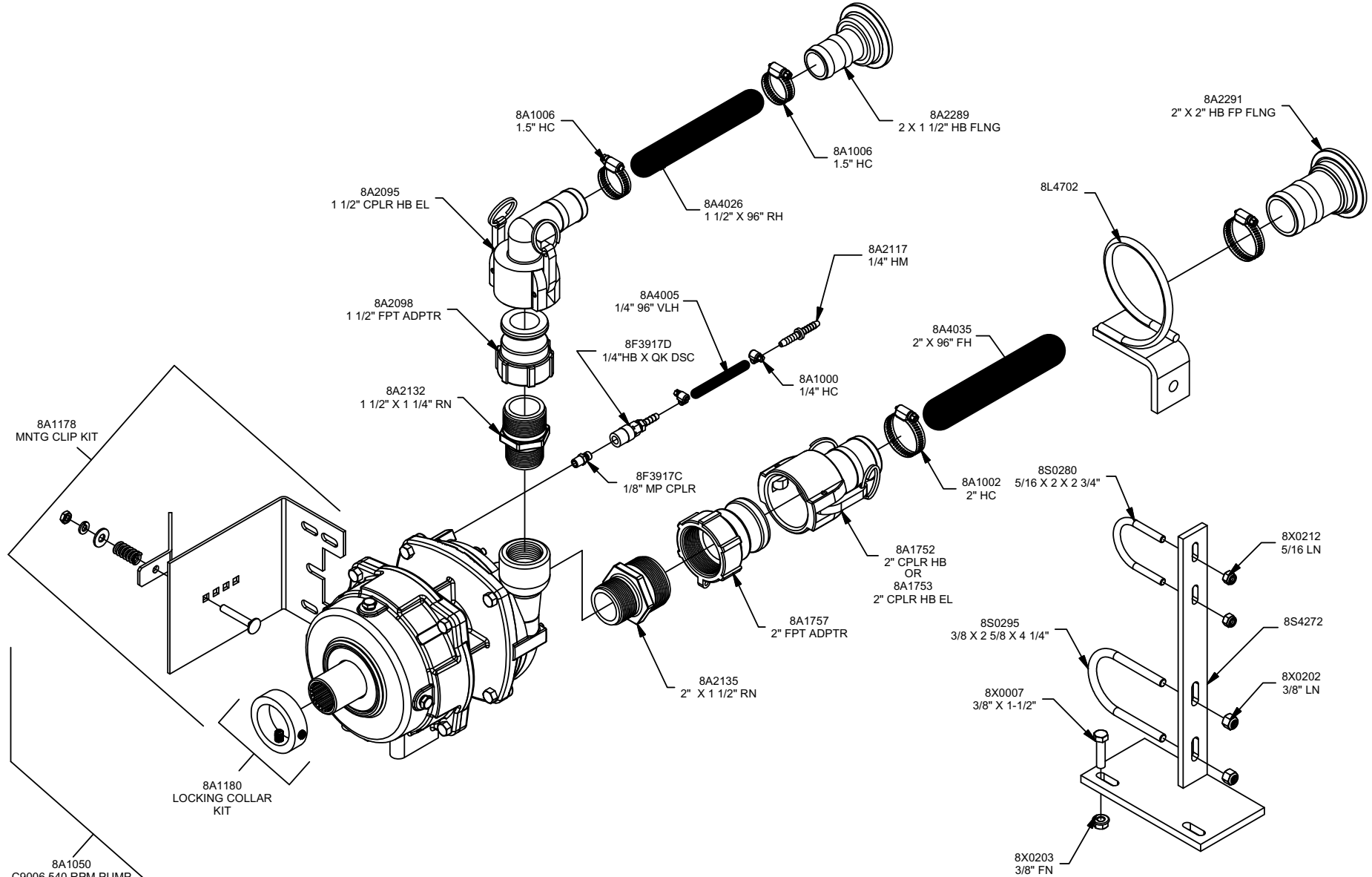
STANDARD CAP/PRESSURE HYDRAULIC FLANGED PUMP PACKAGE



9.18

STANDARD CAP/PRESSURE PTO PUMP PACKAGES

9.19



*APPLY TEFLON TAPE TO ALL MPT/FPT CONNECTIONS.
 *SEALANT IS NOT REQUIRED FOR O-RING OR FLARE TYPE CONNECTIONS

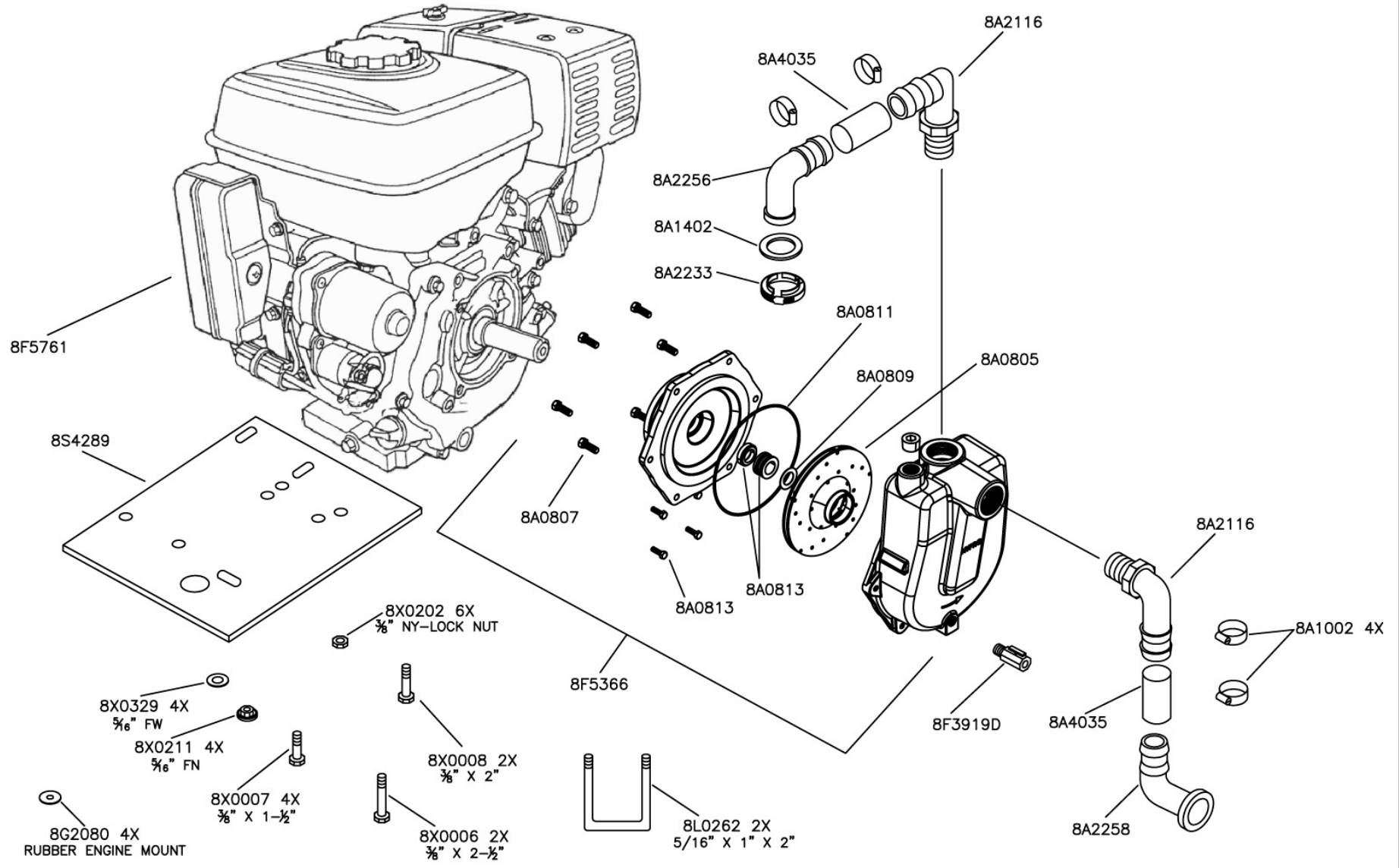
8S9461/PTO PUMP PKG 1000RPM 8 SPLINE

8S9458/PTO PUMP PKG 540RPM ULT

8S9460/PTO PUMP PKG 1000RPM ULT

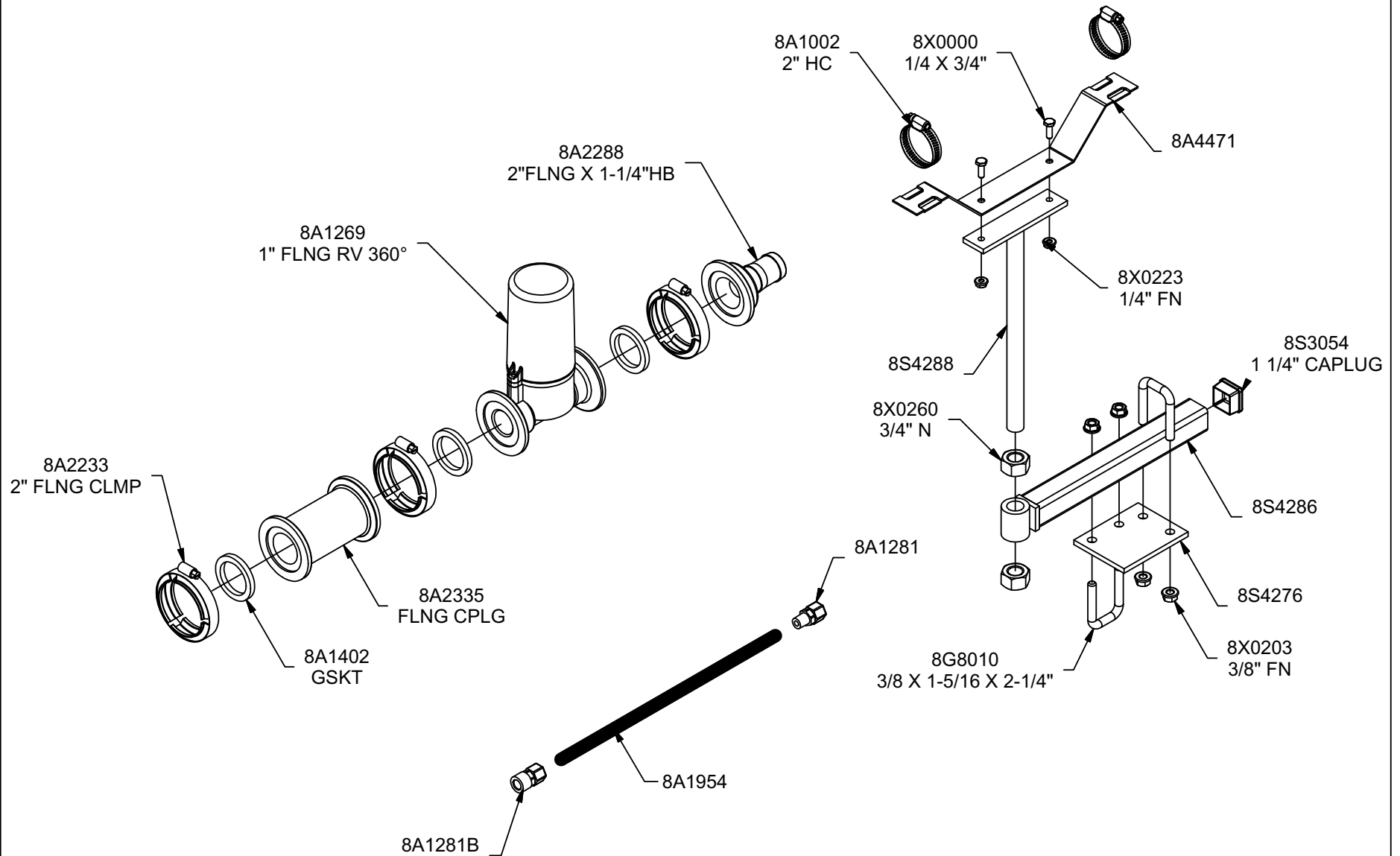
8S9458 540RPM PKG
 8S9460 1000RPM PKG

12/4/2008

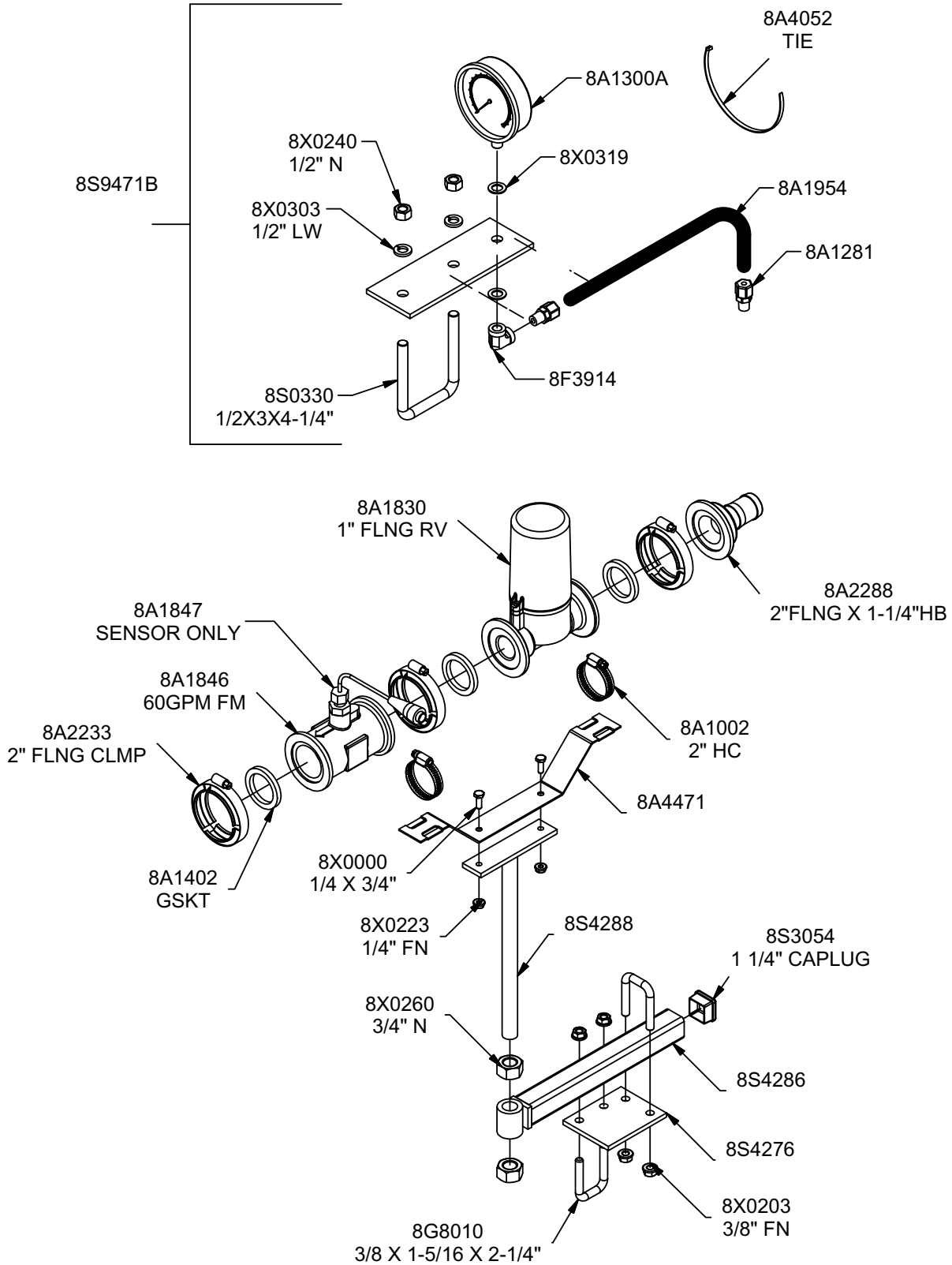


205 CONTROL PLUMBING PACKAGE

9.21



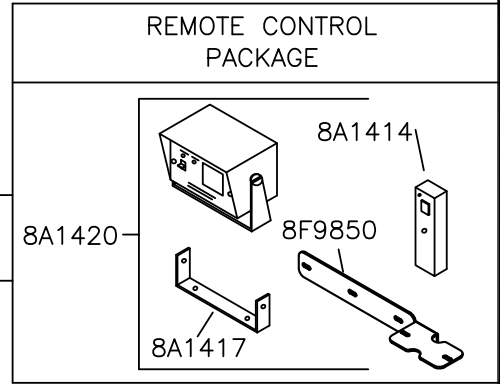
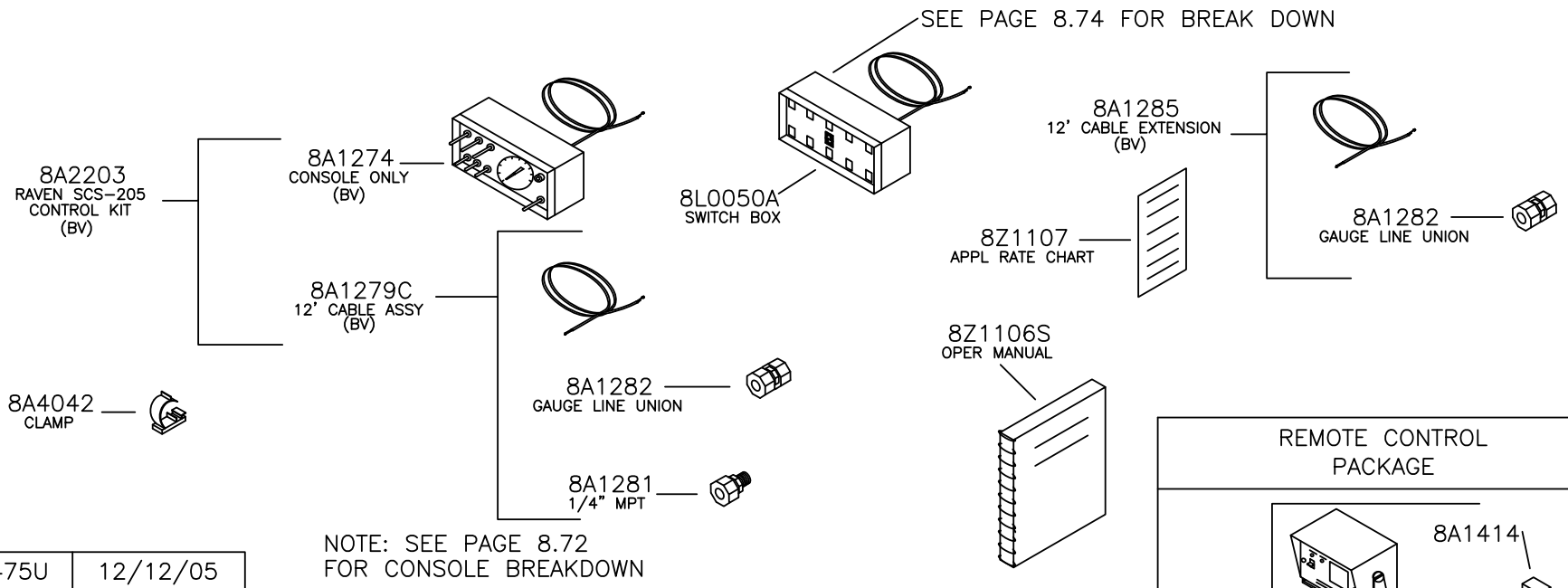
450 CONTROL PUMPING PACKAGE



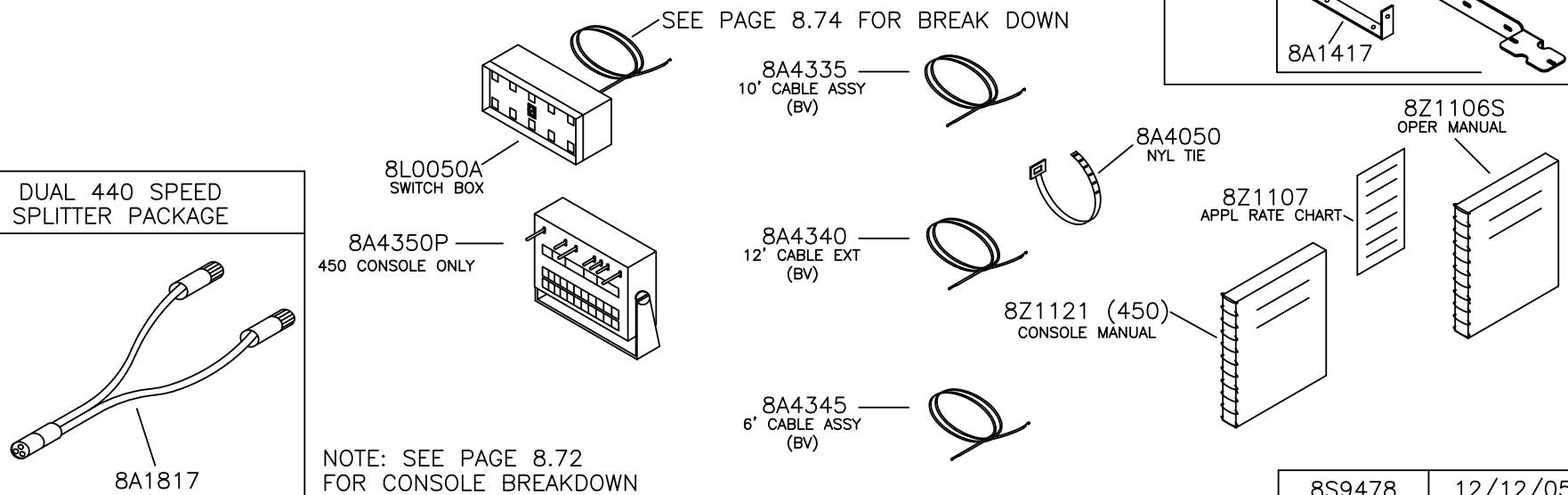
12/11/2008

8S9474/450 PLUMBING PKG ULTRA

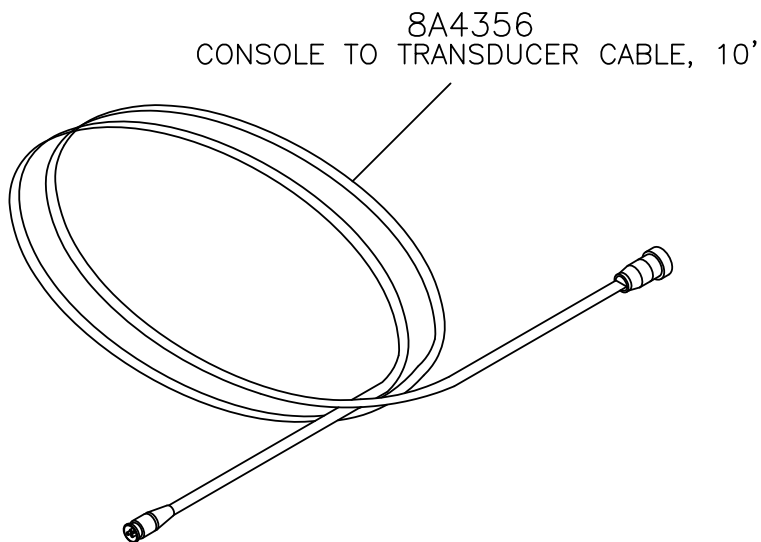
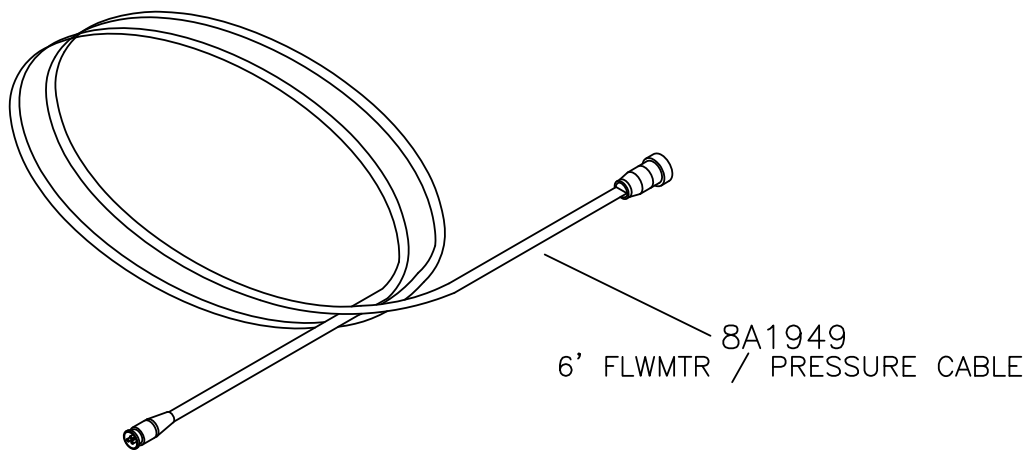
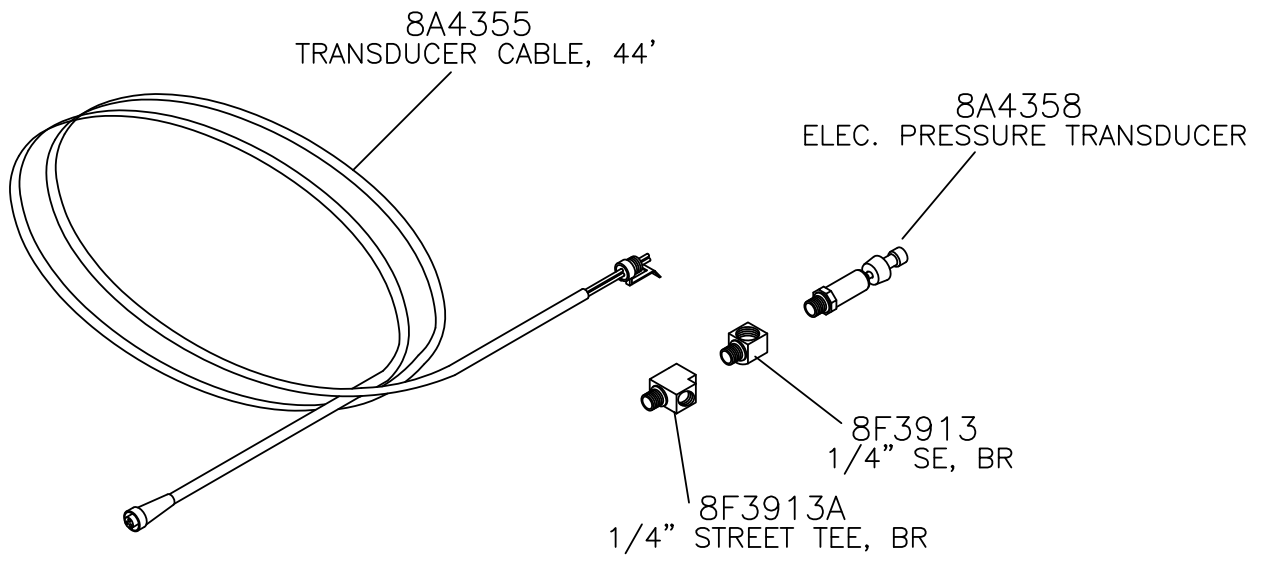
205 CONTROL SYSTEM PACKAGE



450 CONTROL SYSTEM PACKAGE



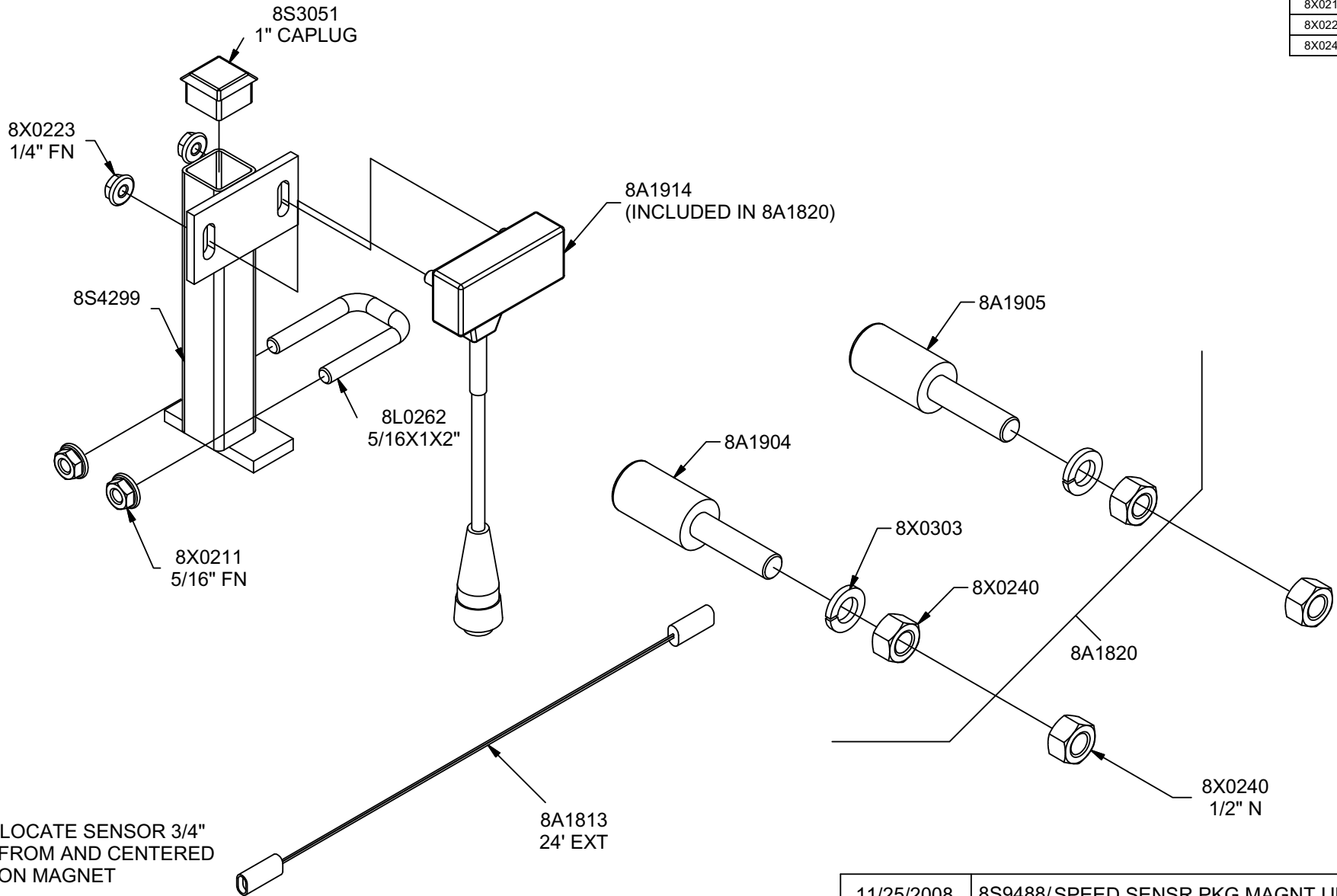
ELECTRONIC PRESSURE GAUGE PACKAGE



8S9476	12/12/05
--------	----------

14.9 / 18.4 / 12.1 / 28L SPEED SENSOR PACKAGE

PN	QTY
8A1813	1
8A1820	1
8L0262	1
8S2980	1
8S3051	1
8S4299	1
8X0202	1
8X0211	2
8X0223	2
8X0240	6



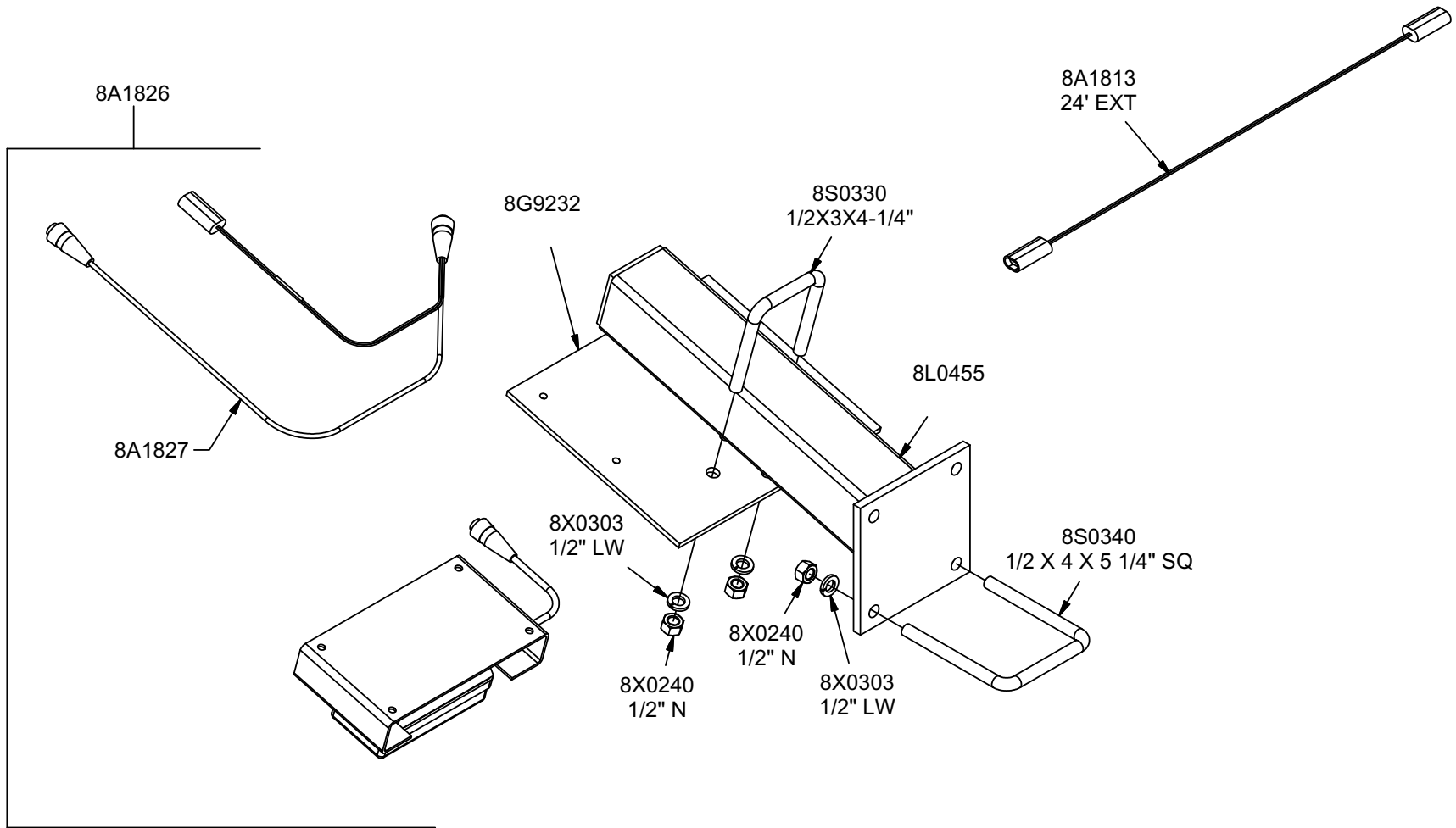
9.25

11/25/2008

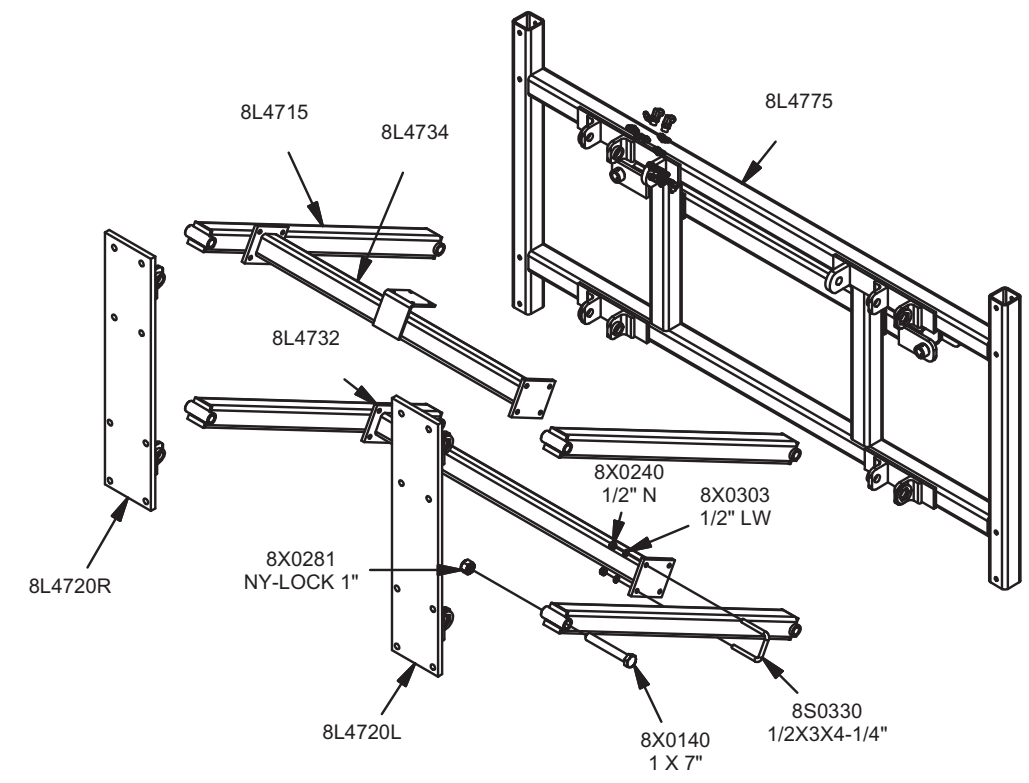
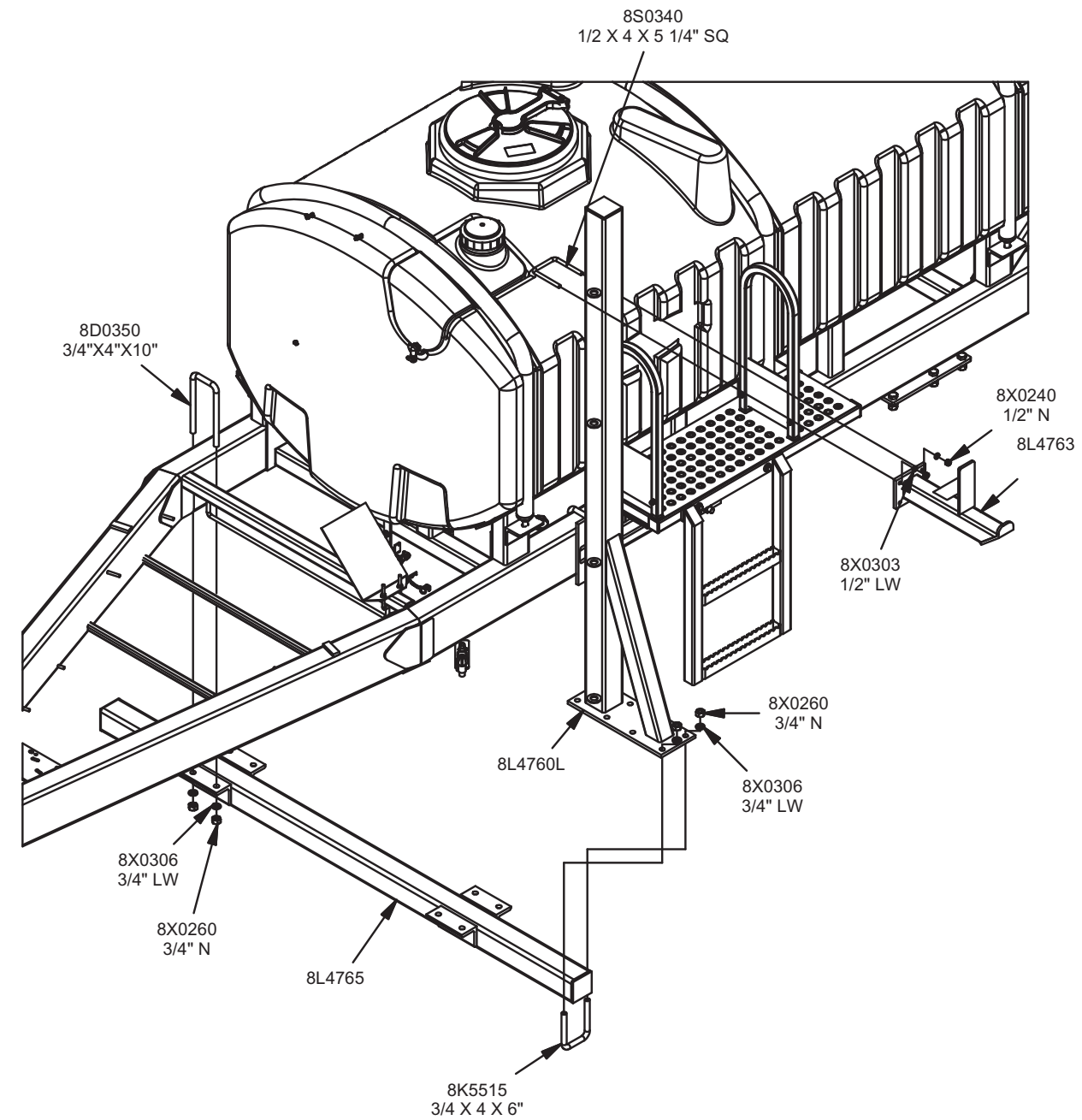
8S9488/SPEED SENSR PKG MAGNT ULT/RA

RADAR GUN W/ MOUNT

9.26

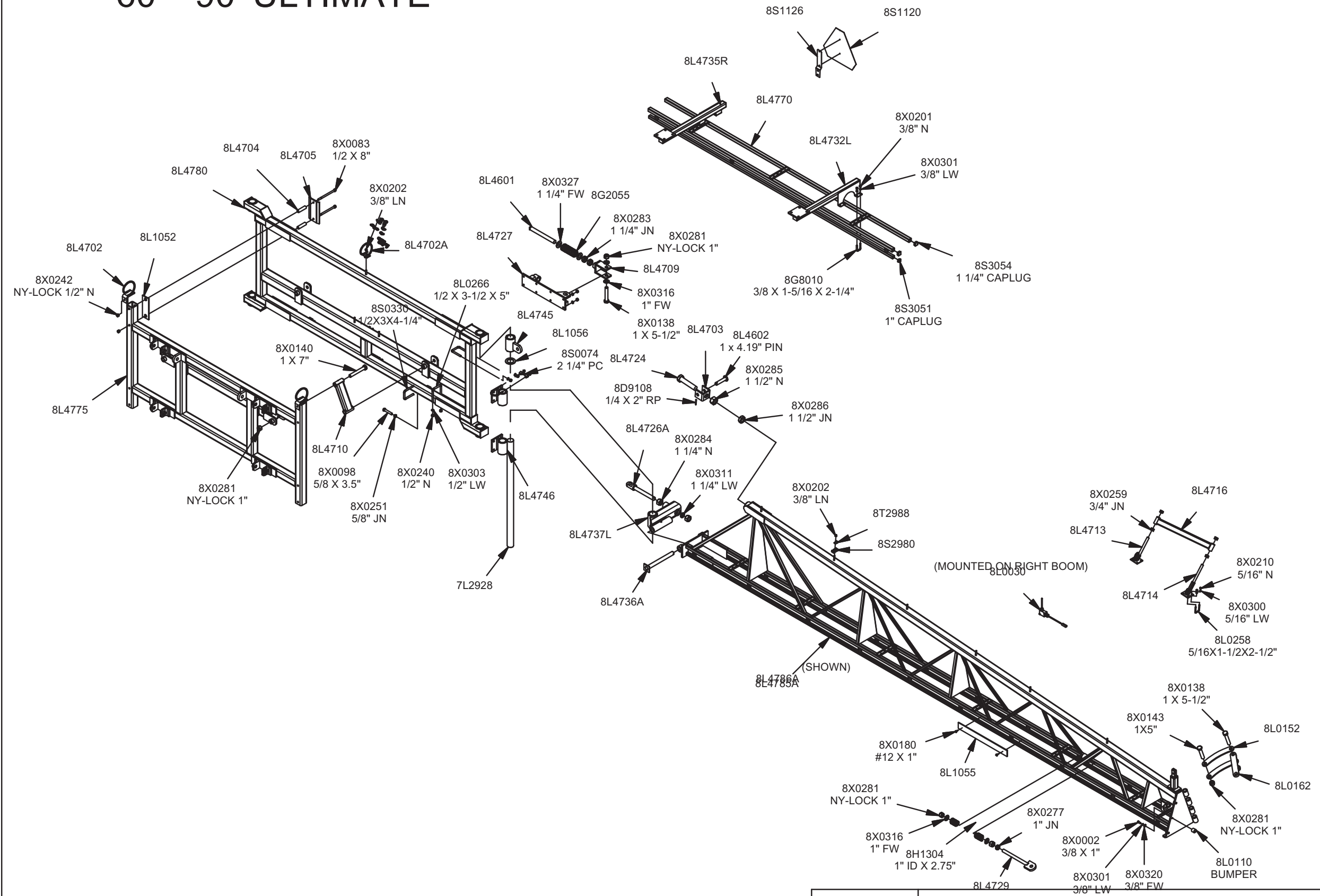


50' CENTER BOOM PACKAGE 60' - 90' ULTIMATE



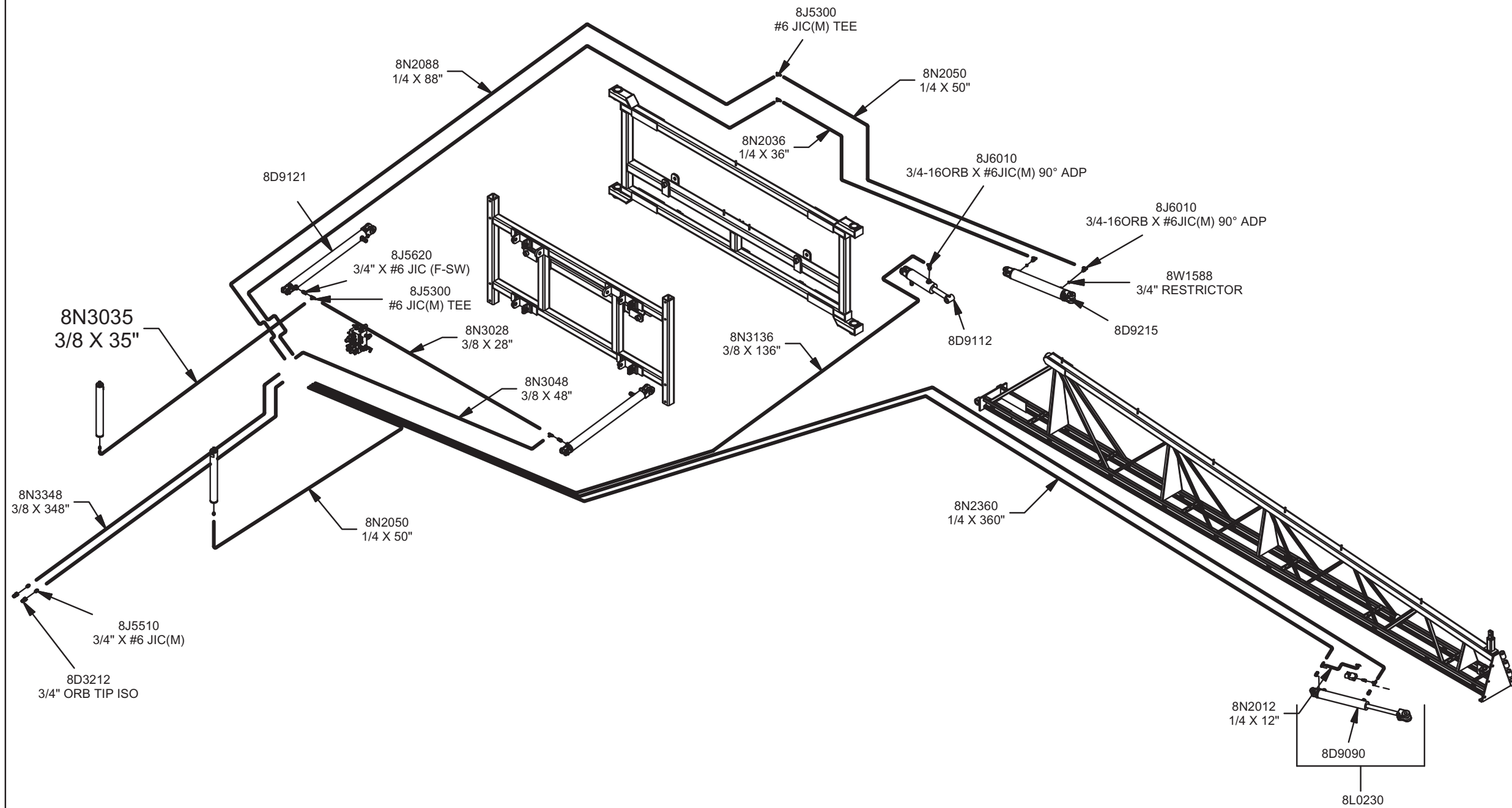
- WIRING PART NUMBERS**
 8L0030 - SWITCH SPRING TOGGLE
 8L0061 - CART WIRNG HARNESS
 8L0071 - VALVE WIRNG HARNESS
 8L0081 - BOOM WIRING HARNESS

50' CENTER BOOM PACKAGE 60' - 90' ULTIMATE

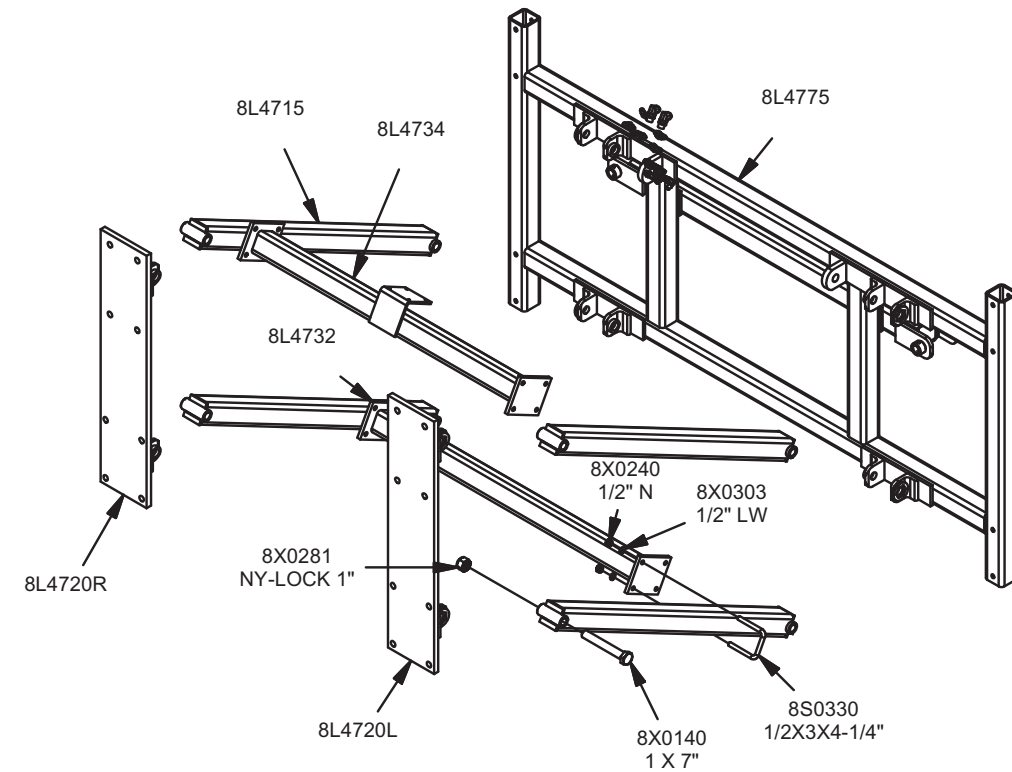
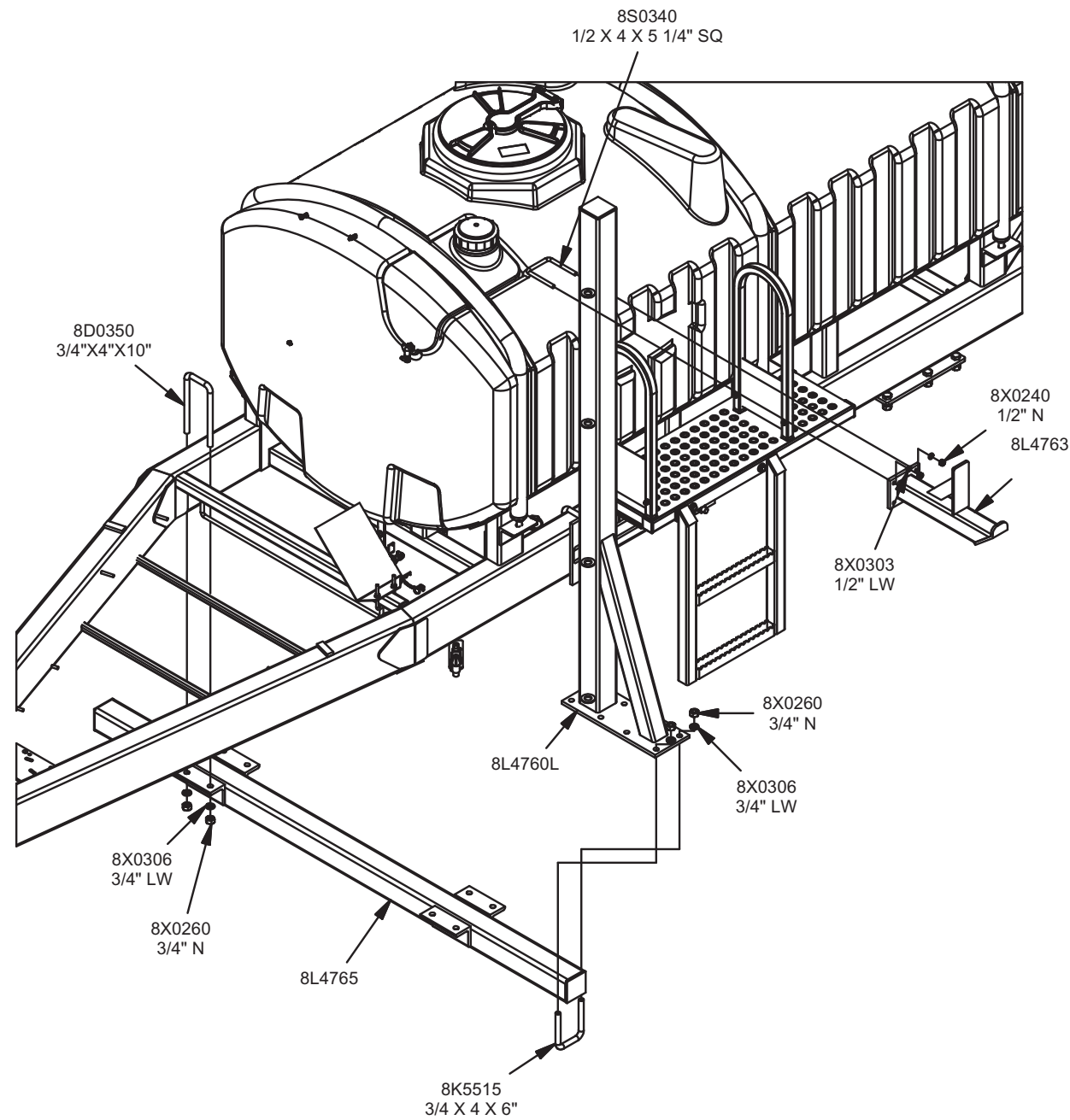


12/12/2008 8L7050/BOOM PKG 50'PRT1&CNTR ULTIMATE

50' CENTER BOOM PACKAGE 60' - 90' ULTIMATE



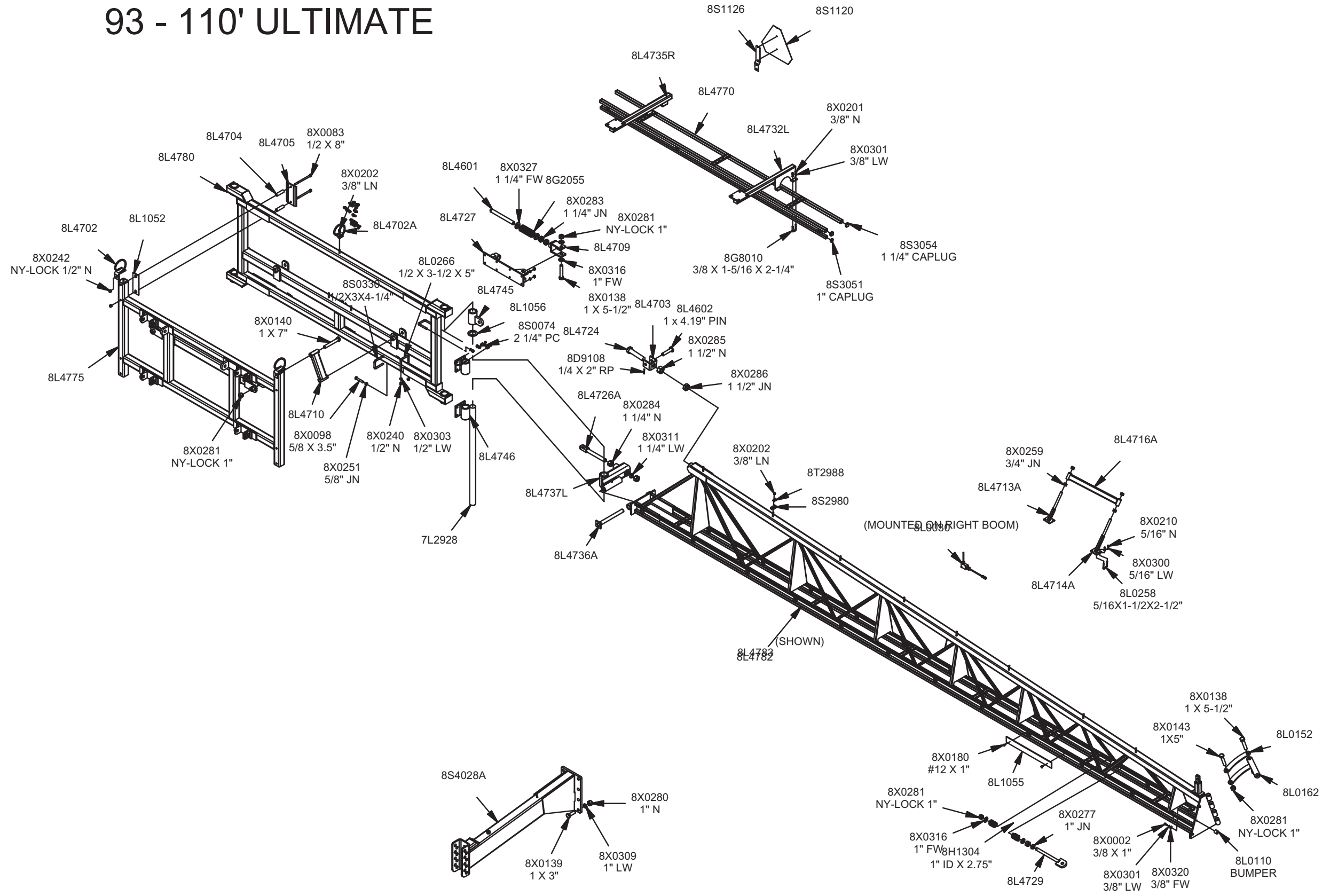
60' CENTER BOOM PACKAGE 93' - 110' ULTIMATE



WIRING PART NUMBERS

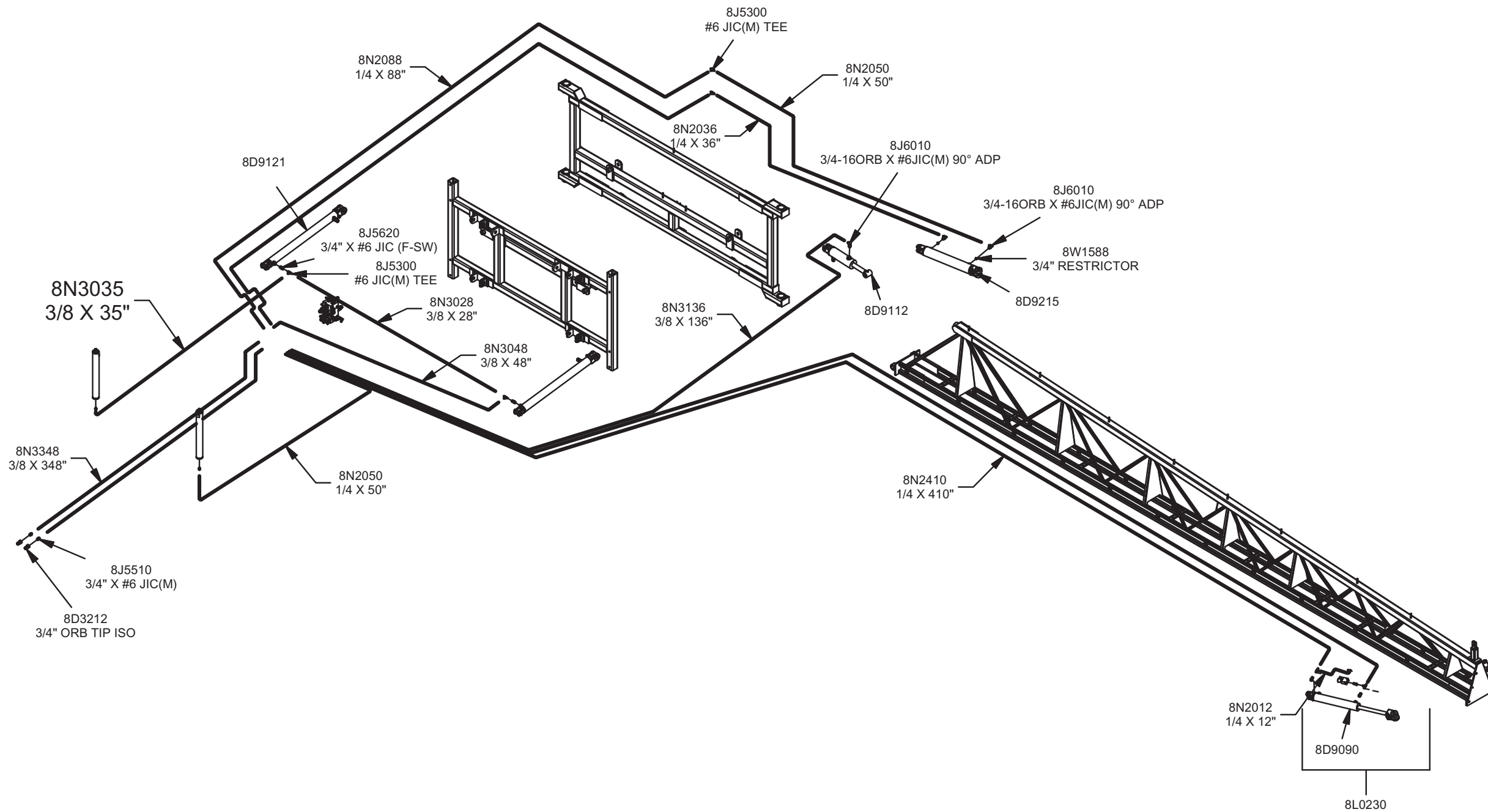
- 8L0030 - SWITCH SPRING TOGGLE
- 8L0061 - CART WIRING HARNESS
- 8L0062 - CART HARNESS EXTENSION
- 8L0071 - VALVE WIRING HARNESS
- 8L0081 - BOOM WIRING HARNESS

60' CENTER BOOM PACKAGE 93 - 110' ULTIMATE

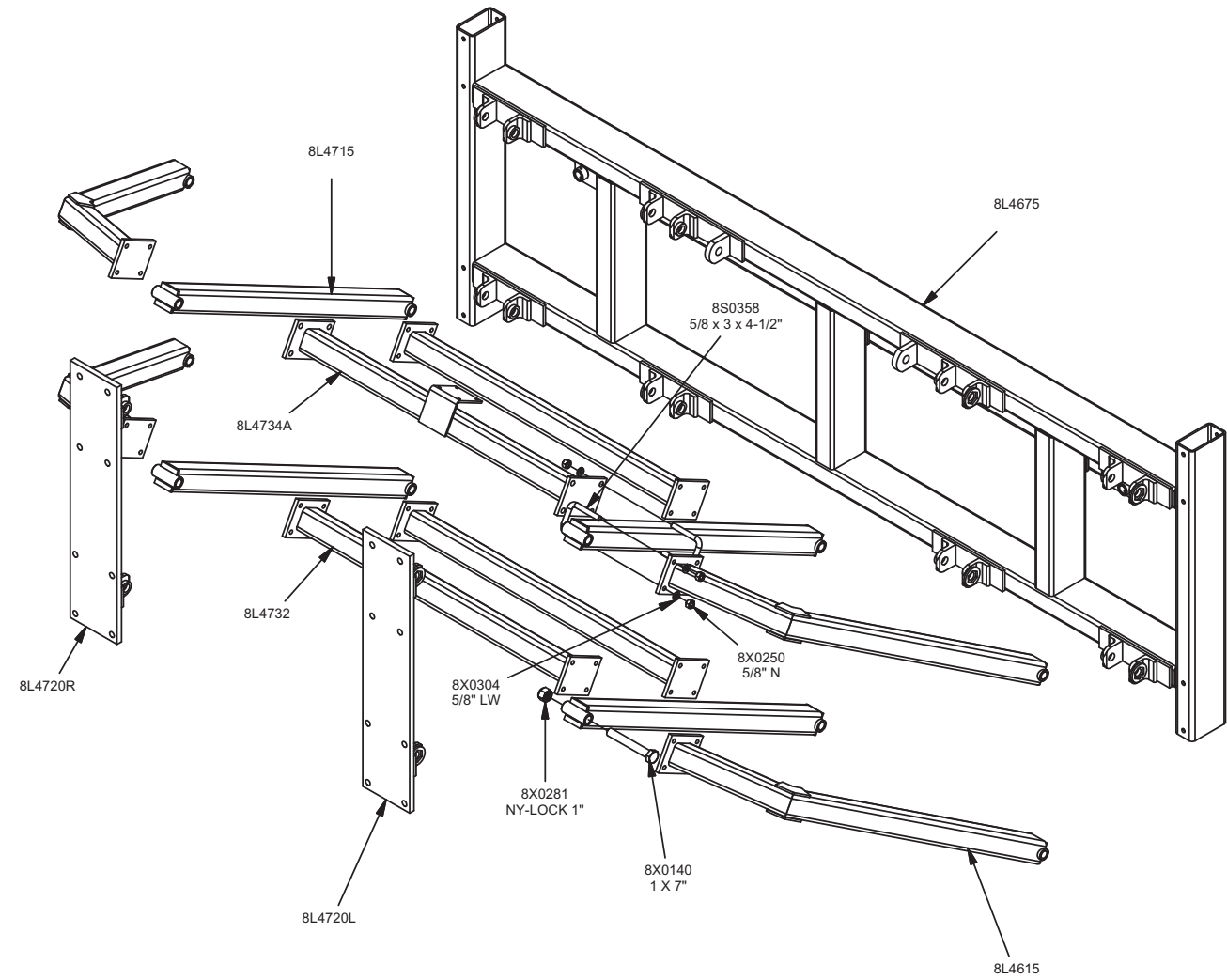
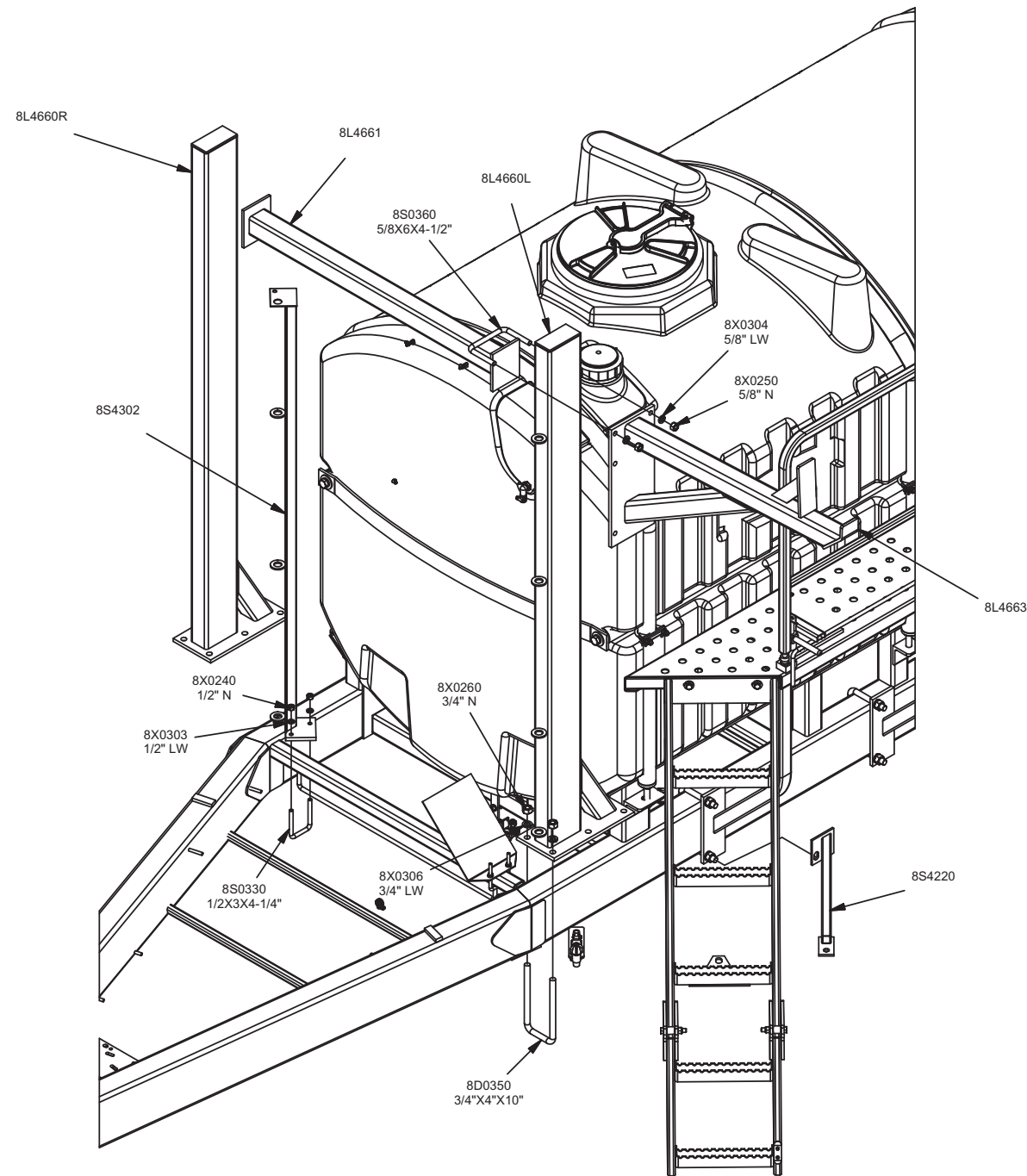


12/12/2008 8L7060/BOOM PKG 60'PRT1&CNTR ULTIMATE

60' CENTER BOOM PACKAGE 93' - 110' ULTIMATE



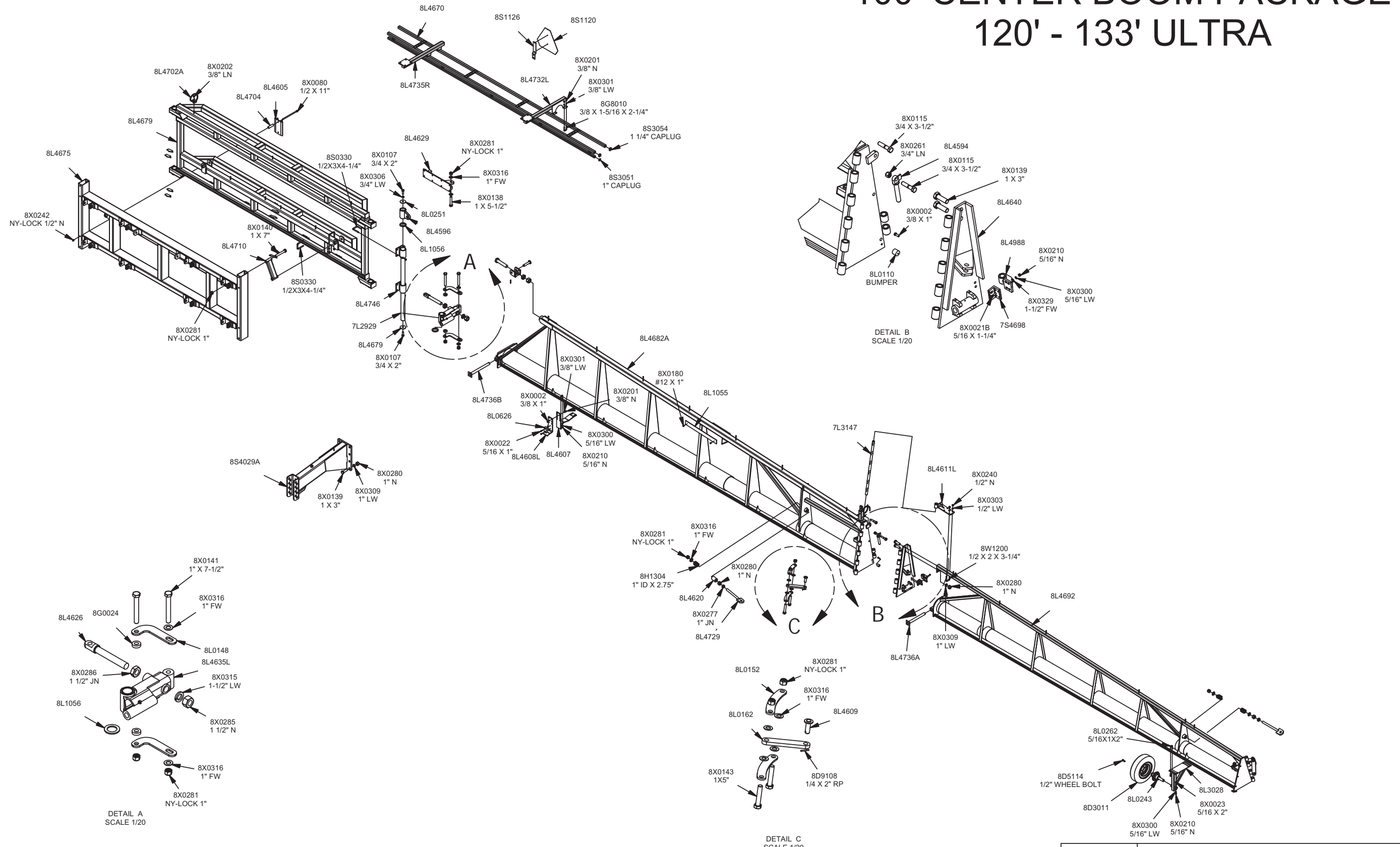
100' CENTER BOOM PACKAGE 120' - 133' ULTRA



- WIRING PART NUMBERS**
 8L0060 - CART WIRING HARNESS
 8L0070 - VALVE WIRING HARNESS
 8L0082 - TRI-FOLD BOOM WIRING HARNESS
 8L0030 - SWITCH SPRING TOGGLE

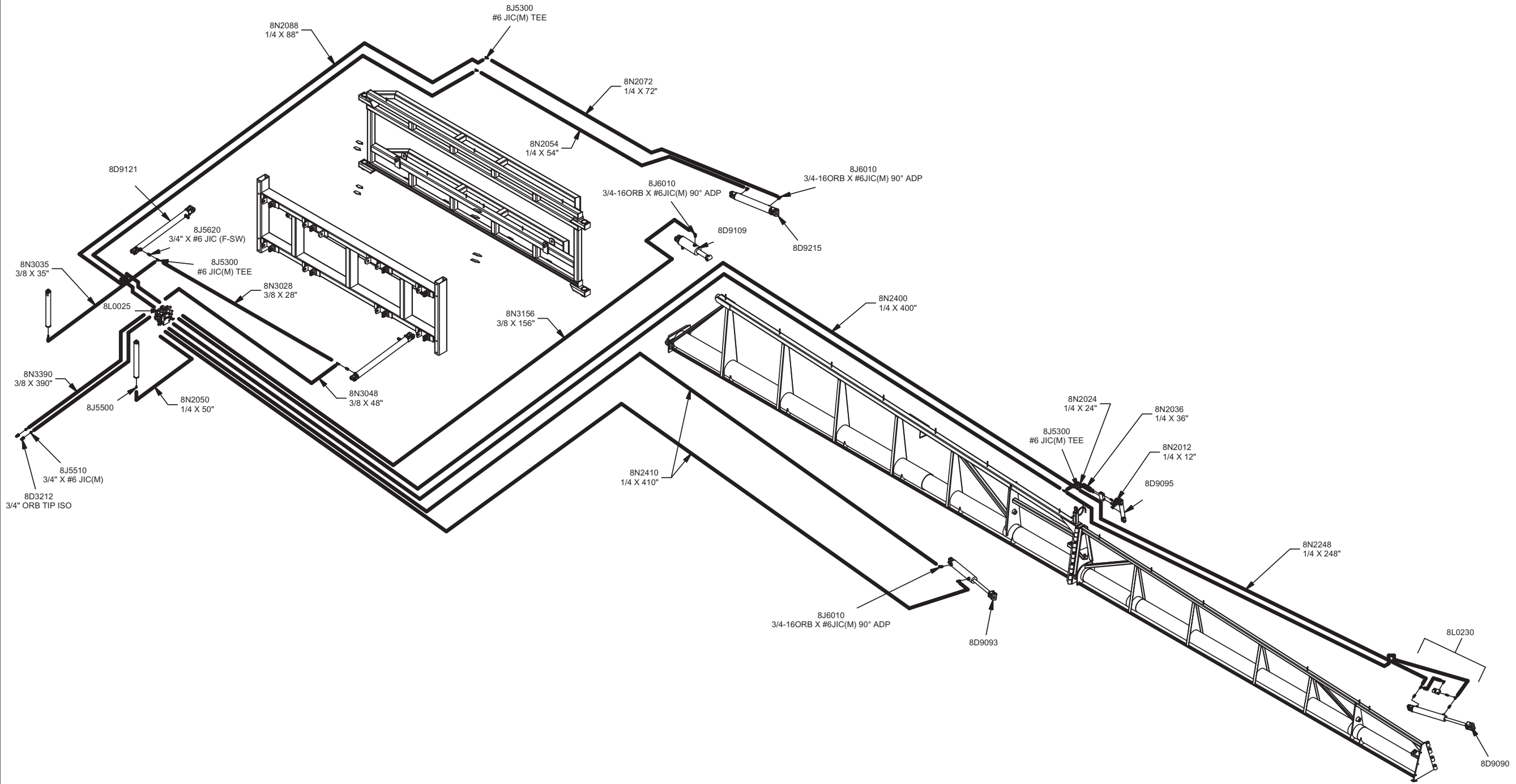
1/6/2009 8L7100/ BOOM PKG 100'PT1-2-CNTR ULTRA

100' CENTER BOOM PACKAGE 120' - 133' ULTRA



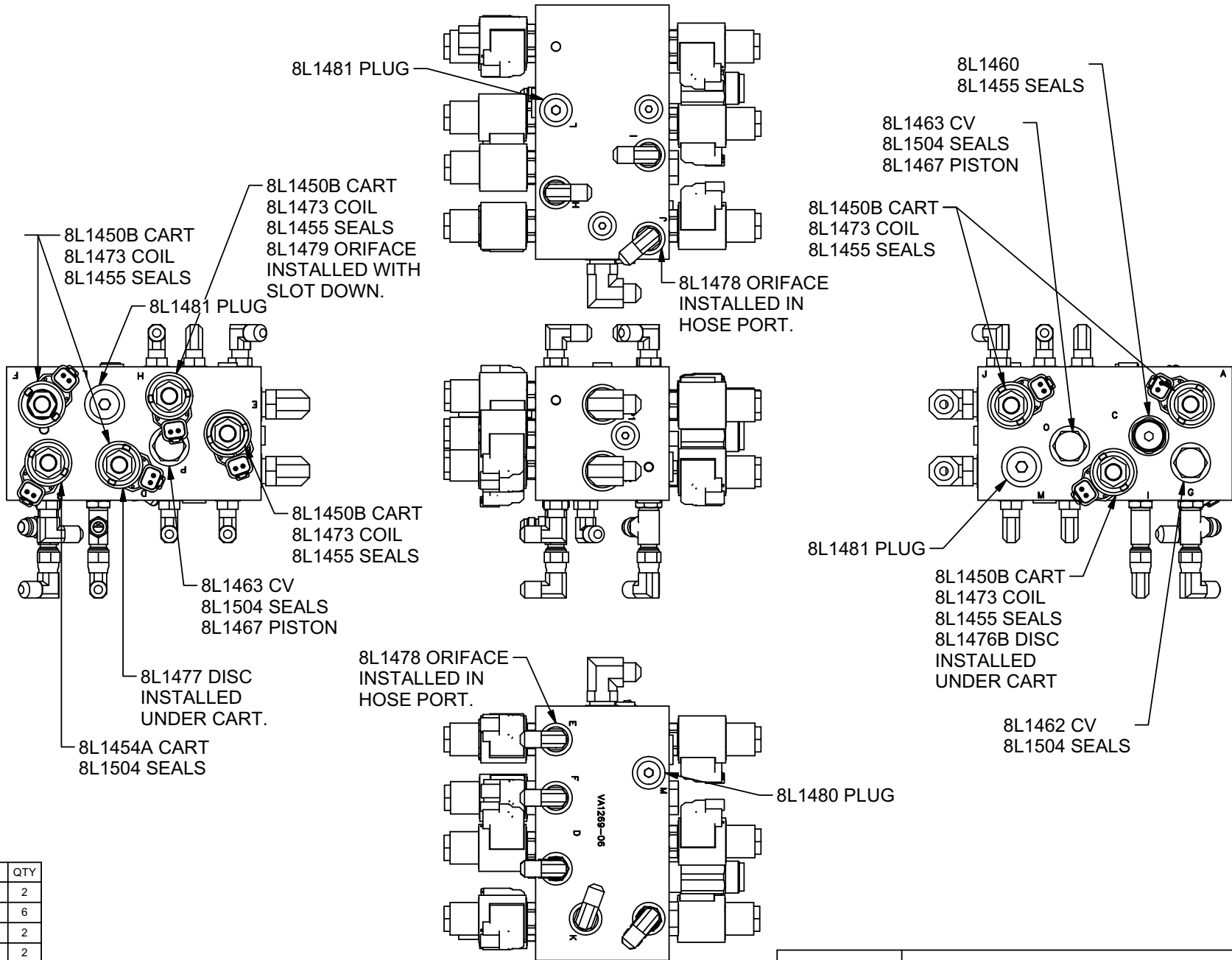
1/6/2009 8L7100/ BOOM PKG 100'PT1-2-CNTR ULTRA

100' CENTER BOOM PACKAGE 120' - 133' ULTRA



5 FUNCTION MANIFOLD VALVE - 60' THRU 110' ULTIMATE

9.36



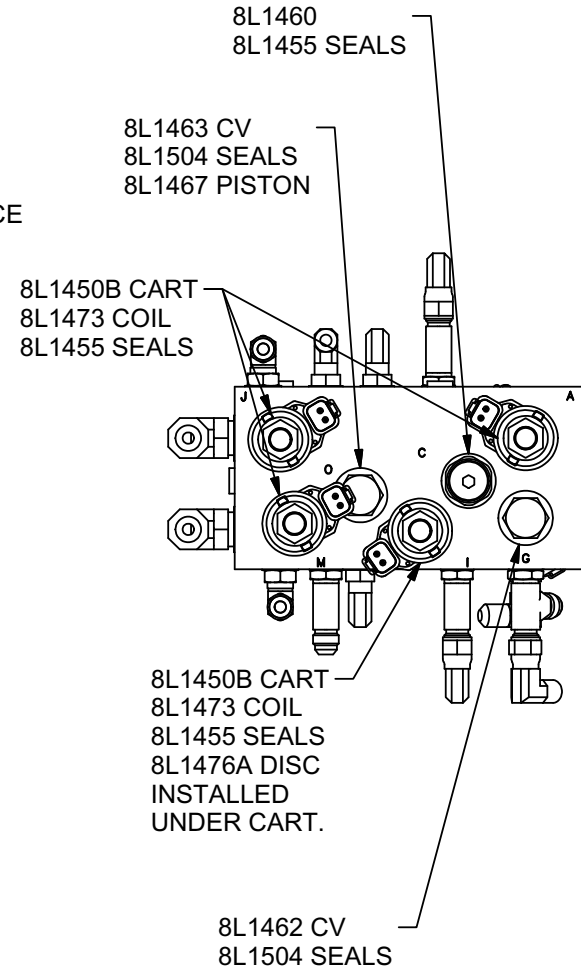
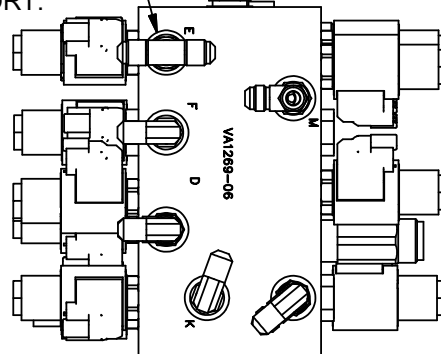
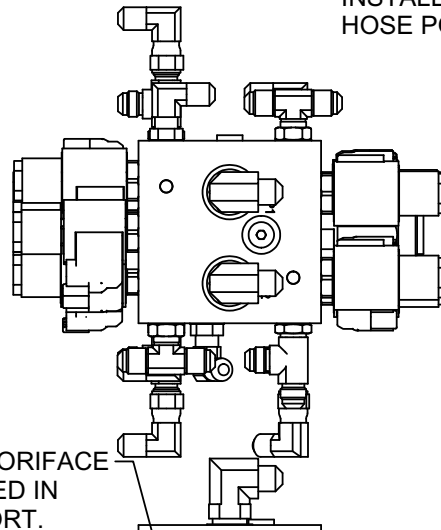
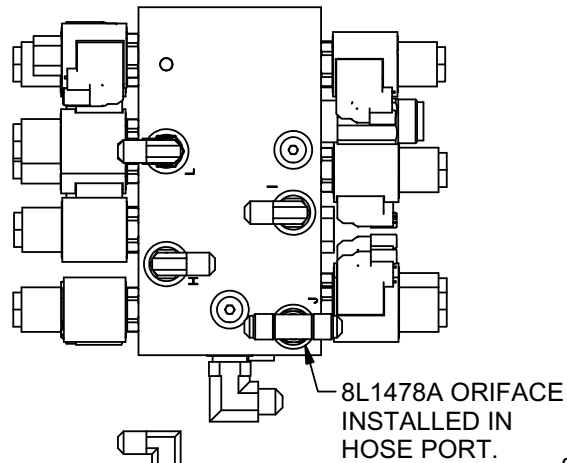
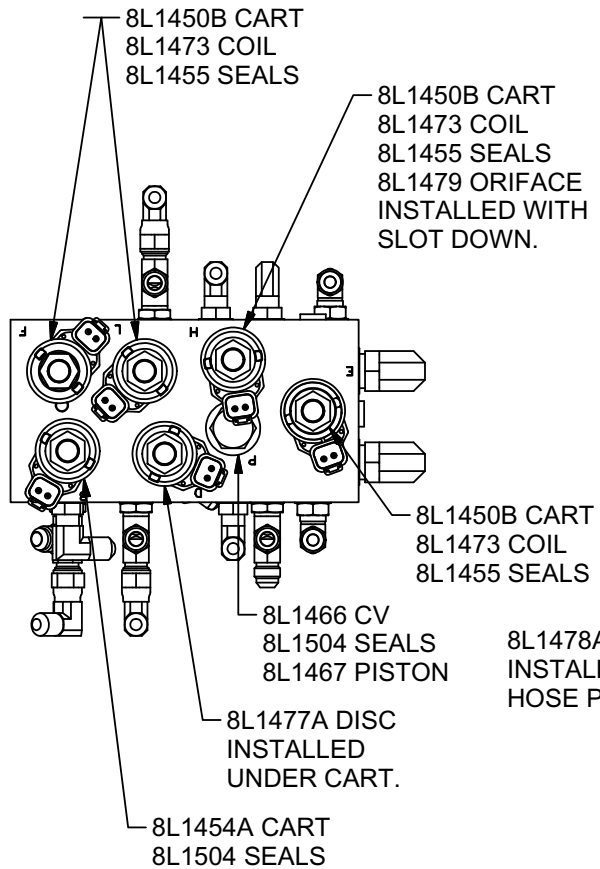
PN	QTY
8J5700	2
8J6000	6
8J6004	2
8J6010	2
8L0022	1

1/5/2009

8L0023/MANIFOLD VLVE W/FITTINGS 05-

6 FUNCTION MANIFOLD VALVE 120' THRU 133' ULTRA

9.37

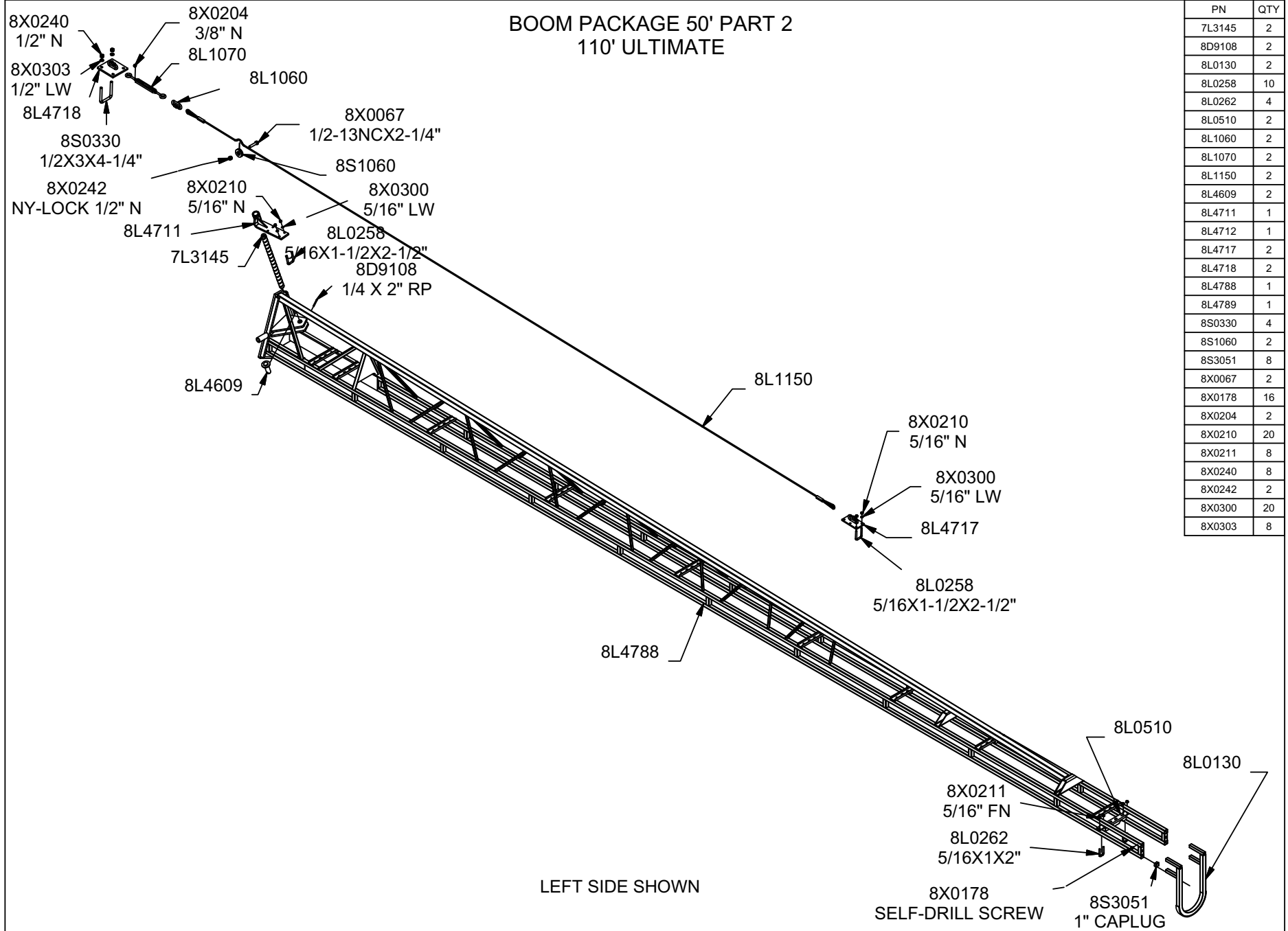


PN	QTY
8J5700	3
8J6000	4
8J6002	2
8J6004	4
8J6010	2
8L0024	1

1/5/2009

8L0025/MANIFOLD VLVE W/FITTINGS 05-

BOOM PACKAGE 50' PART 2 110' ULTIMATE

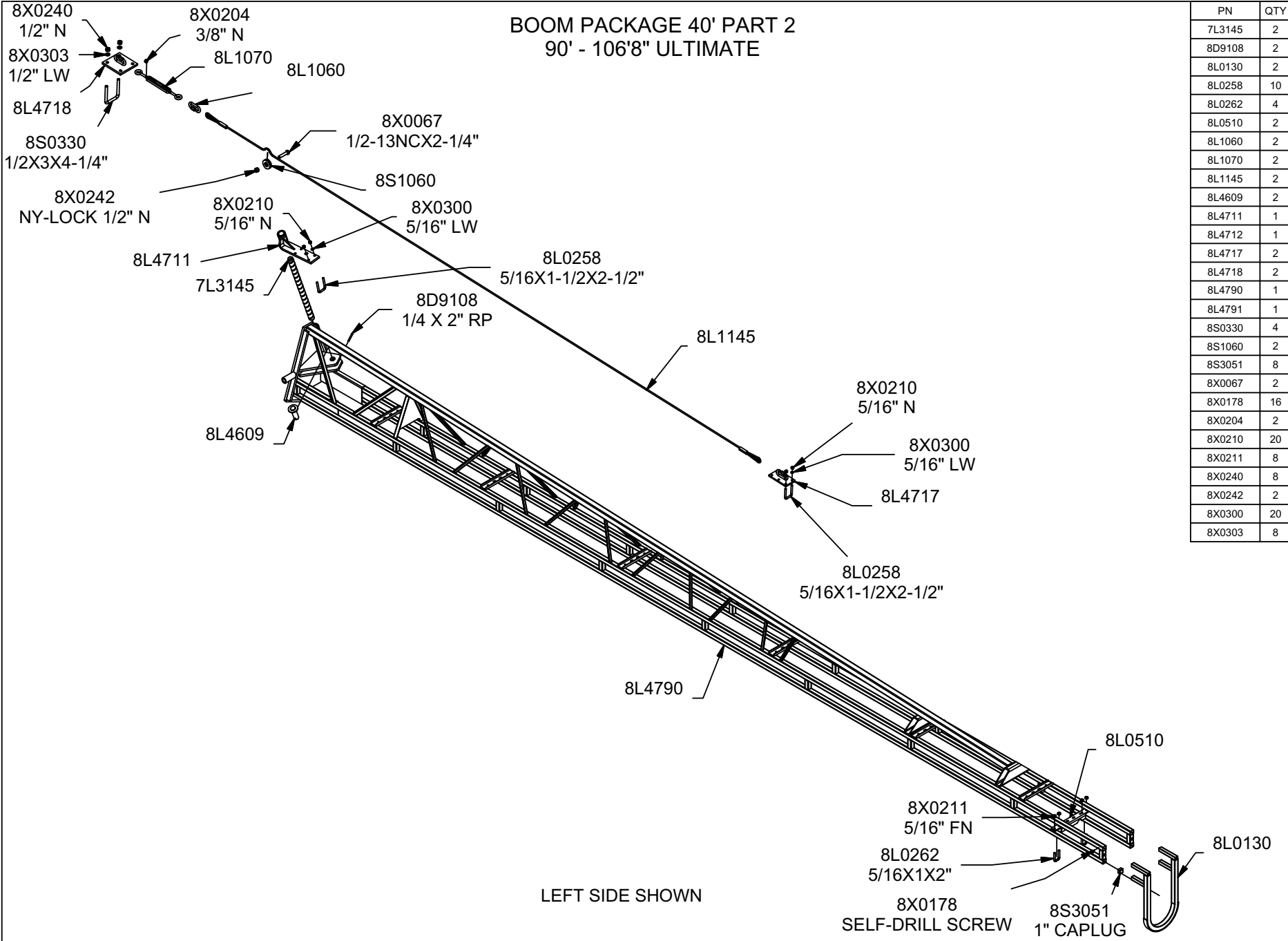


PN	QTY
7L3145	2
8D9108	2
8L0130	2
8L0258	10
8L0262	4
8L0510	2
8L1060	2
8L1070	2
8L1150	2
8L4609	2
8L4711	1
8L4712	1
8L4717	2
8L4718	2
8L4788	1
8L4789	1
8S0330	4
8S1060	2
8S3051	8
8X0067	2
8X0178	16
8X0204	2
8X0210	20
8X0211	8
8X0240	8
8X0242	2
8X0300	20
8X0303	8

LEFT SIDE SHOWN

9.38

BOOM PACKAGE 40' PART 2 90' - 106'8" ULTIMATE

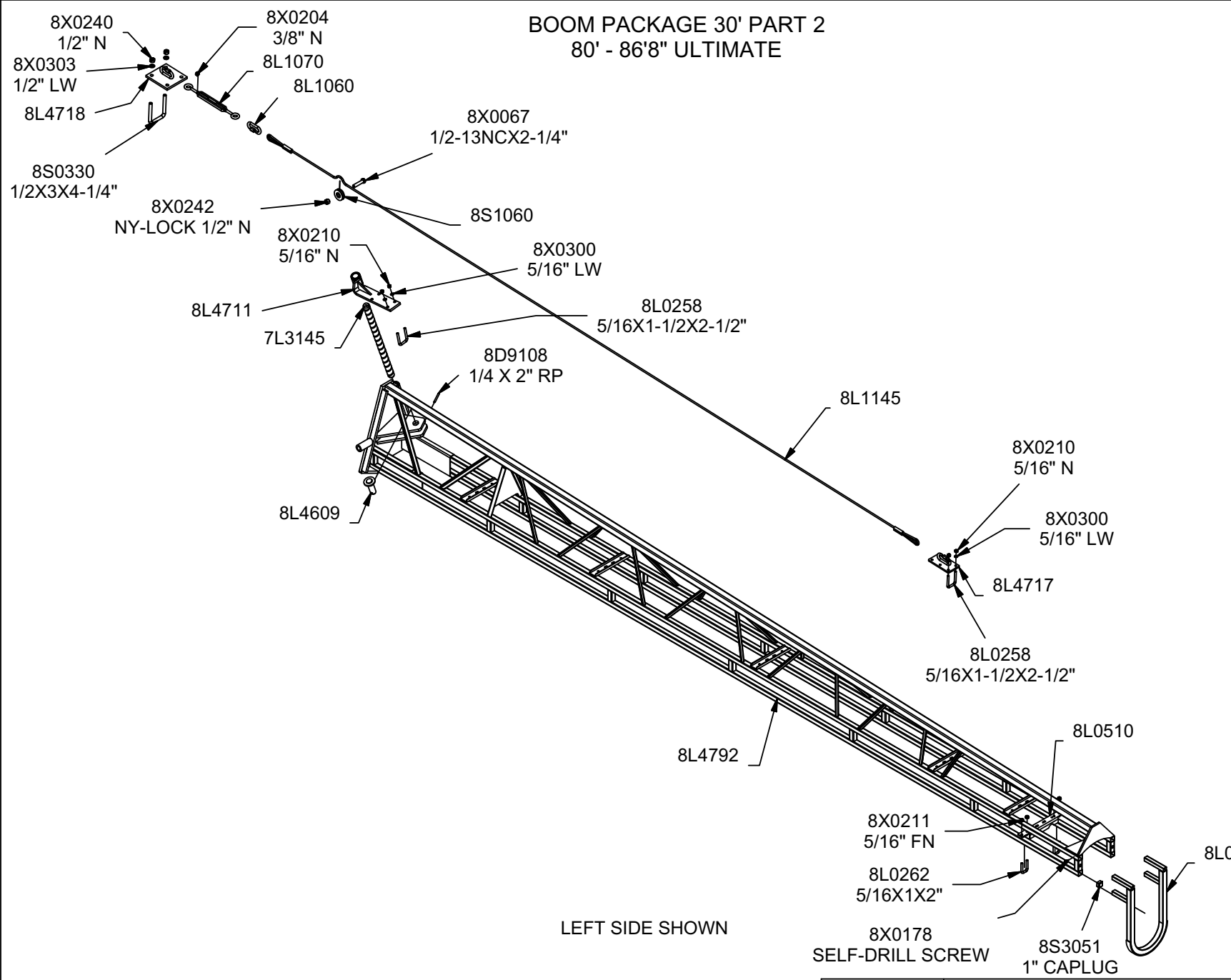


9.39

LEFT SIDE SHOWN

PN	QTY
7L3145	2
8D9108	2
8L0130	2
8L0258	10
8L0262	4
8L0510	2
8L1060	2
8L1070	2
8L1145	2
8L4609	2
8L4711	1
8L4712	1
8L4717	2
8L4718	2
8L4790	1
8L4791	1
8S0330	4
8S1060	2
8S3051	8
8X0067	2
8X0178	16
8X0204	2
8X0210	20
8X0211	8
8X0240	8
8X0242	2
8X0300	20
8X0303	8

BOOM PACKAGE 30' PART 2 80' - 86'8" ULTIMATE

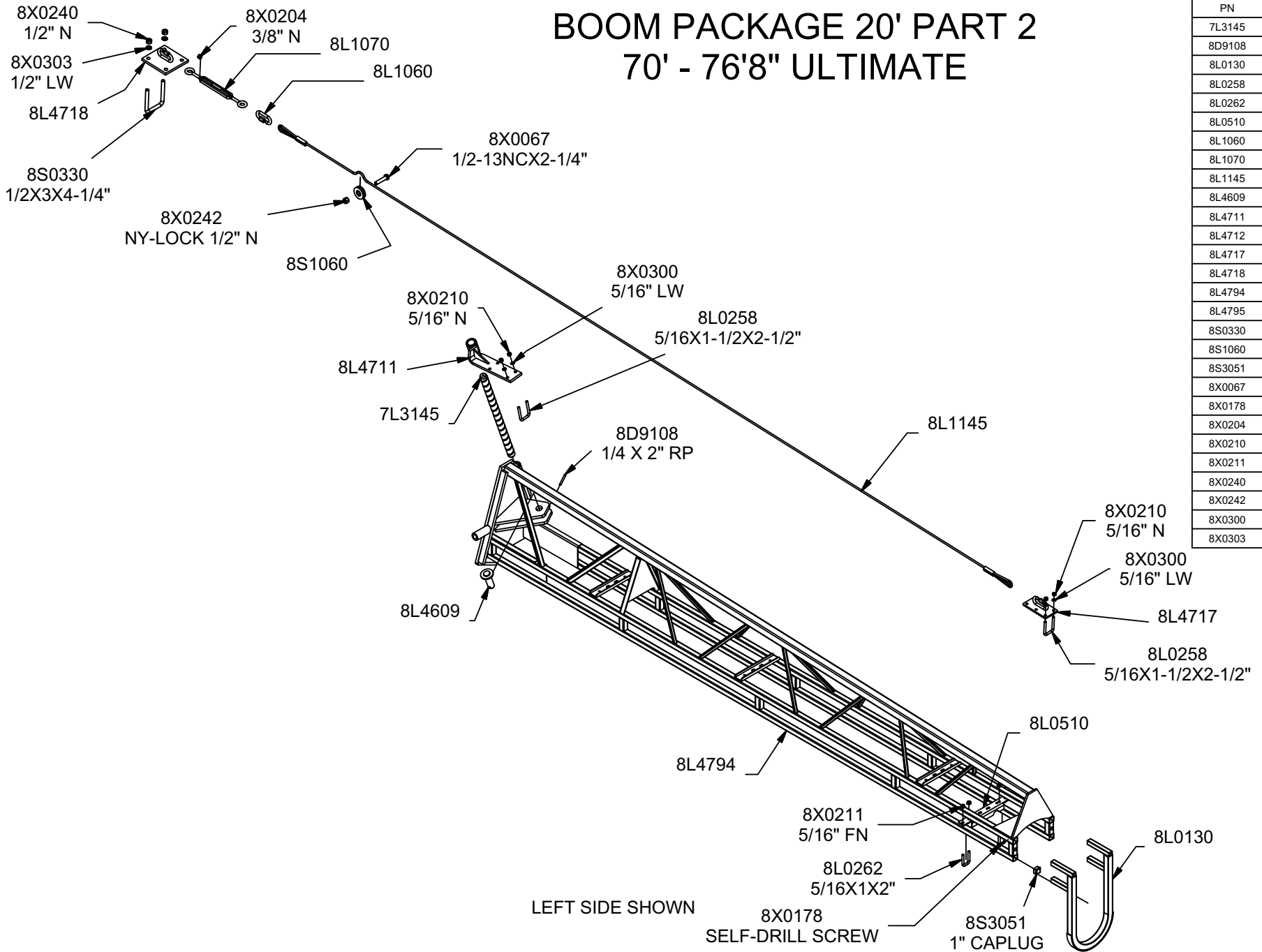


LEFT SIDE SHOWN

PN	QTY
7L3145	2
8D9108	2
8L0130	2
8L0258	10
8L0262	4
8L0510	2
8L1060	2
8L1070	2
8L1145	2
8L4609	2
8L4711	1
8L4712	1
8L4717	2
8L4718	2
8L4792	1
8L4793	1
8S0330	4
8S1060	2
8S3051	8
8X0067	2
8X0178	16
8X0204	2
8X0210	20
8X0211	8
8X0240	8
8X0242	2
8X0300	20
8X0303	8

9.40

BOOM PACKAGE 20' PART 2 70' - 76'8" ULTIMATE



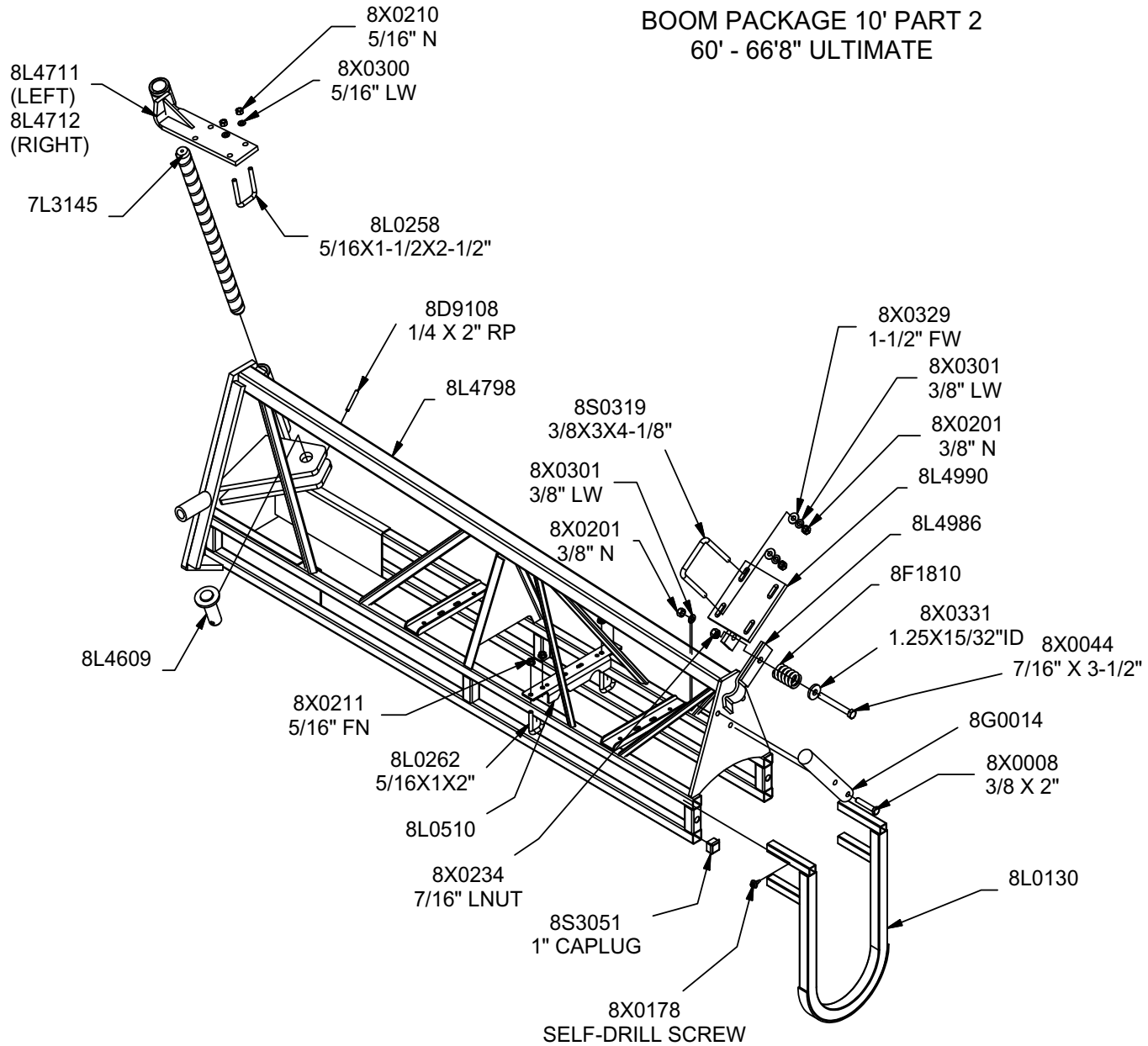
PN	QTY
7L3145	2
8D9108	2
8L0130	2
8L0258	10
8L0262	2
8L0510	1
8L1060	2
8L1070	2
8L1145	2
8L4609	2
8L4711	1
8L4712	1
8L4717	2
8L4718	2
8L4794	1
8L4795	1
8S0330	4
8S1060	2
8S3051	8
8X0067	2
8X0178	16
8X0204	2
8X0210	20
8X0211	8
8X0240	8
8X0242	2
8X0300	20
8X0303	8

9.41

10/16/2008

8L7020/BOOM PKG 20' PART 2 ULTIMATE

BOOM PACKAGE 10' PART 2
60' - 66'8" ULTIMATE

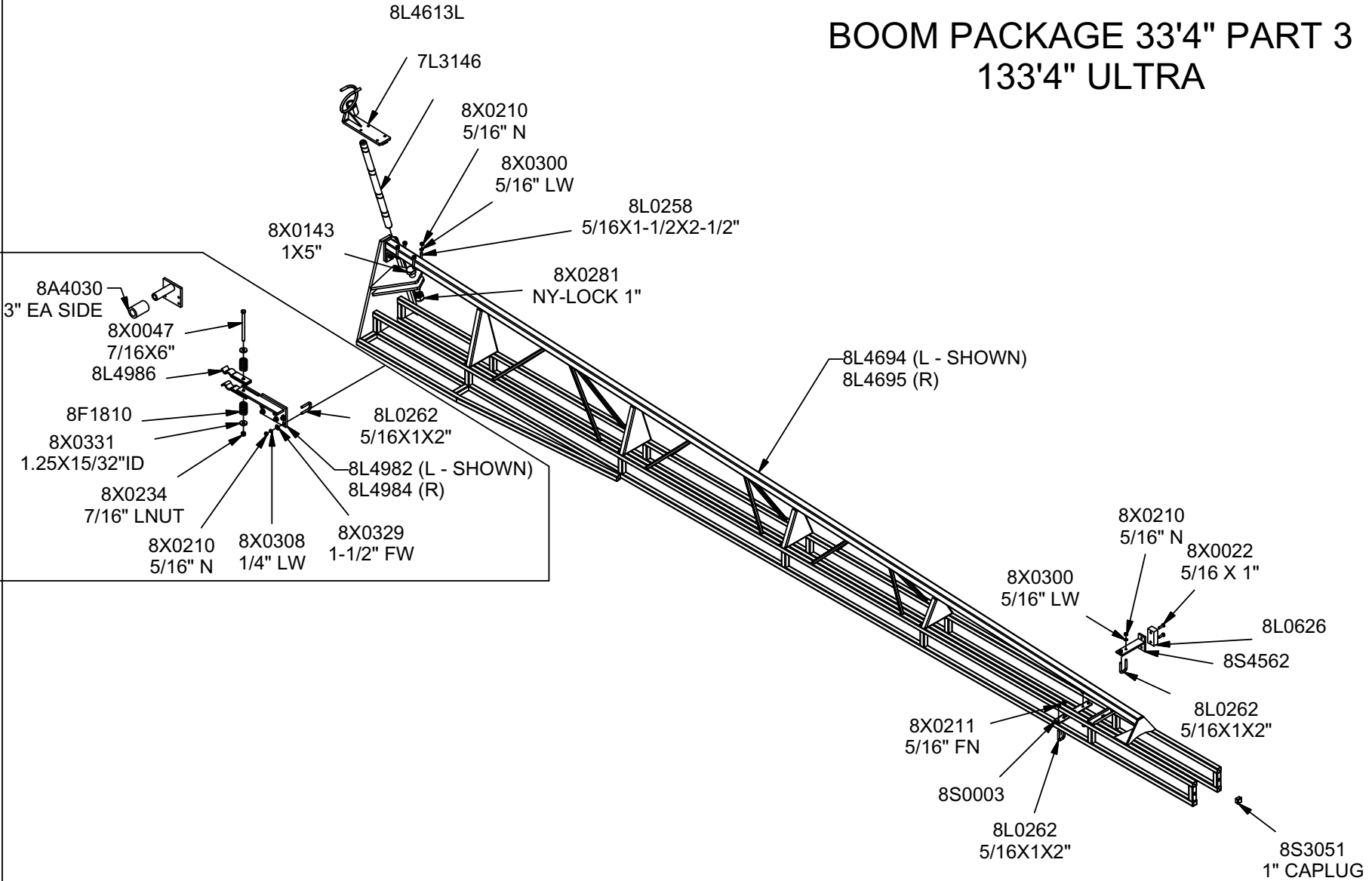


PN	QTY
7L3145	2
8D9108	2
8F1810	2
8G0014	2
8L0130	2
8L0258	4
8L0262	4
8L0510	2
8L4609	2
8L4711	1
8L4712	1
8L4798	1
8L4799	1
8L4986	2
8L4990	2
8S0319	4
8S3051	4
8X0008	4
8X0044	2
8X0178	16
8X0201	12
8X0210	8
8X0211	8
8X0234	2
8X0300	8
8X0301	12
8X0329	8
8X0331	2

LEFT SIDE SHOWN

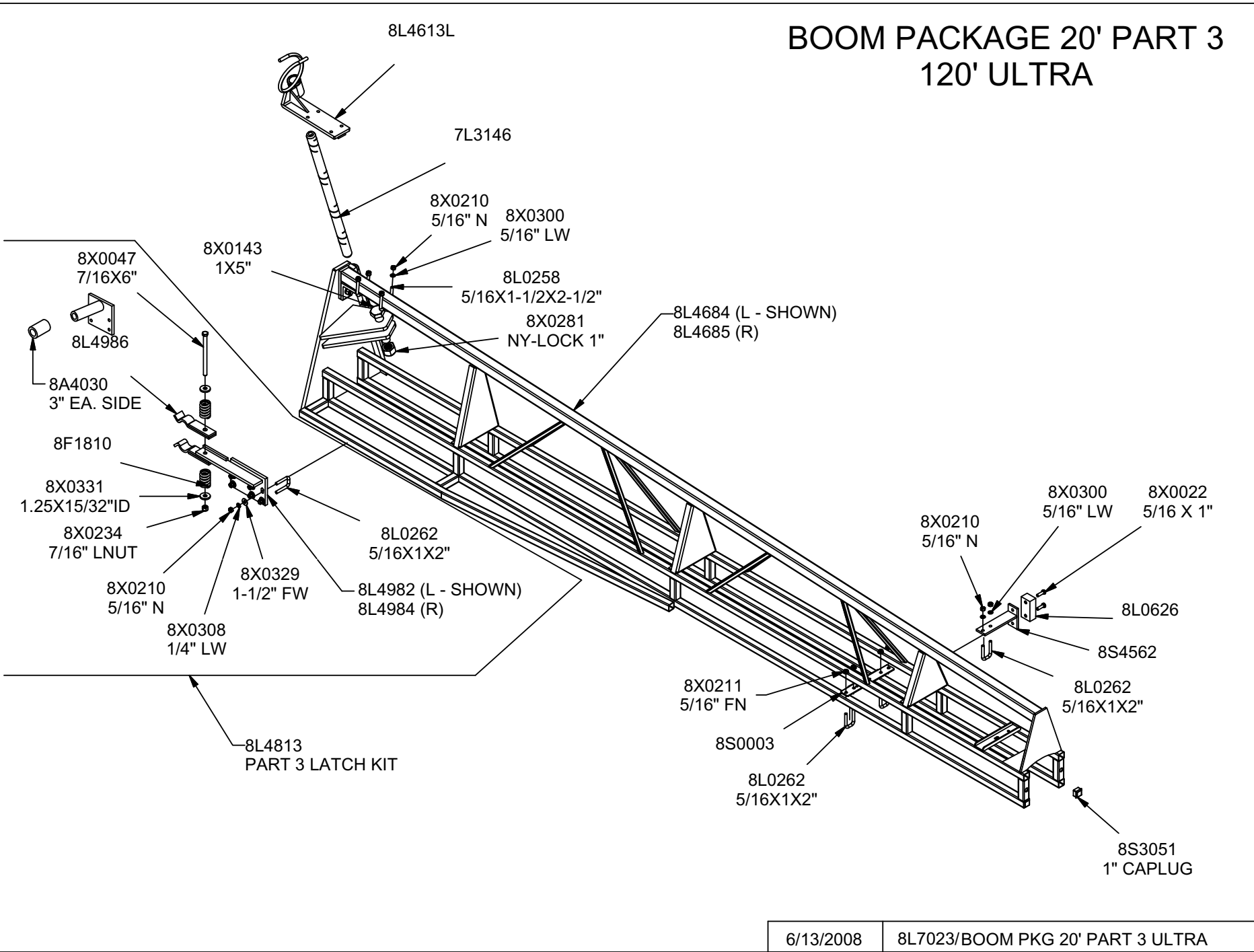
BOOM PACKAGE 33'4" PART 3 133'4" ULTRA

9.43



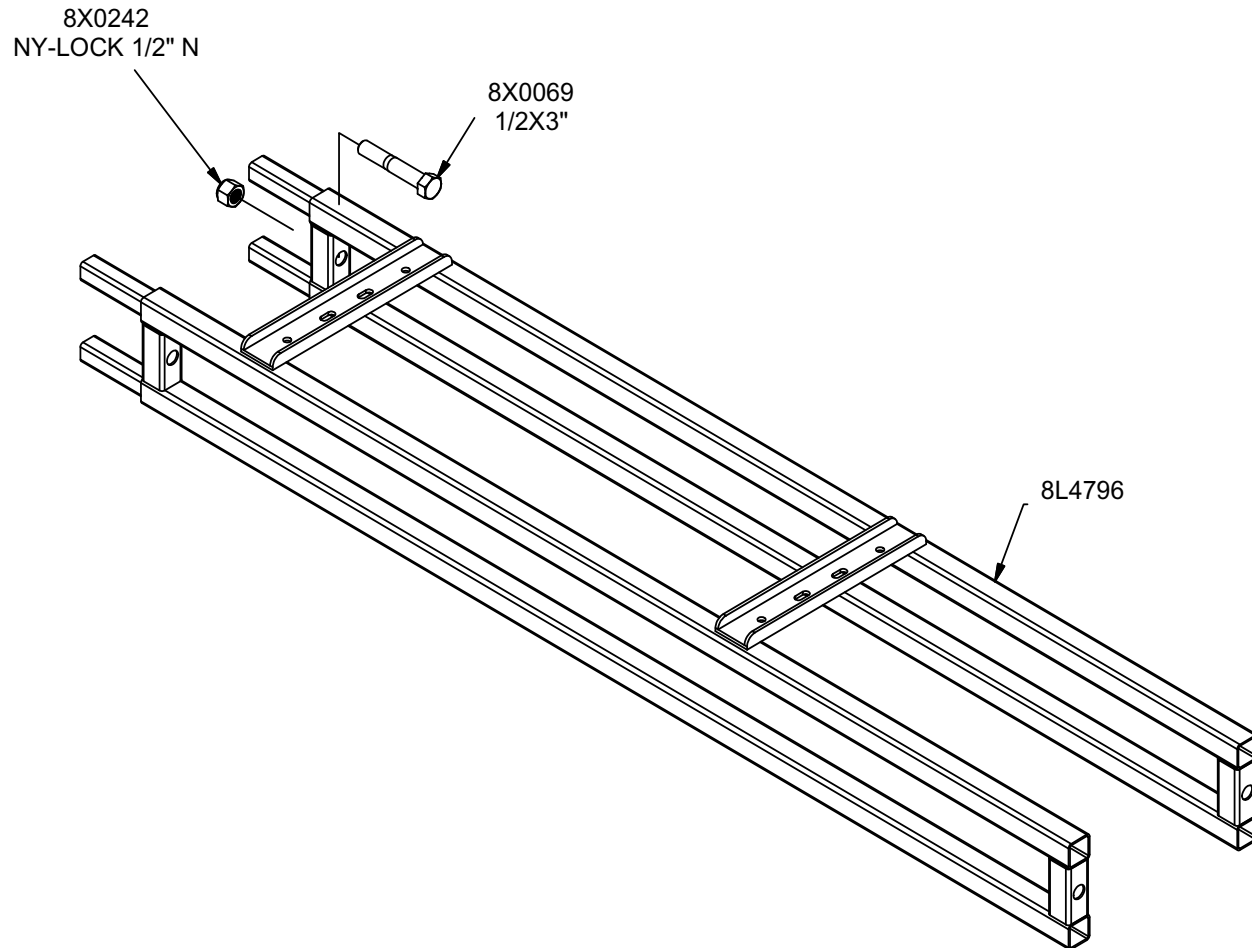
BOOM PACKAGE 20' PART 3 120' ULTRA

9.44



BOOM PACKAGE 6' 8" EXT 2
 66'8", 76'8", 86'8", 96'8", 106'8" ULTIMATE

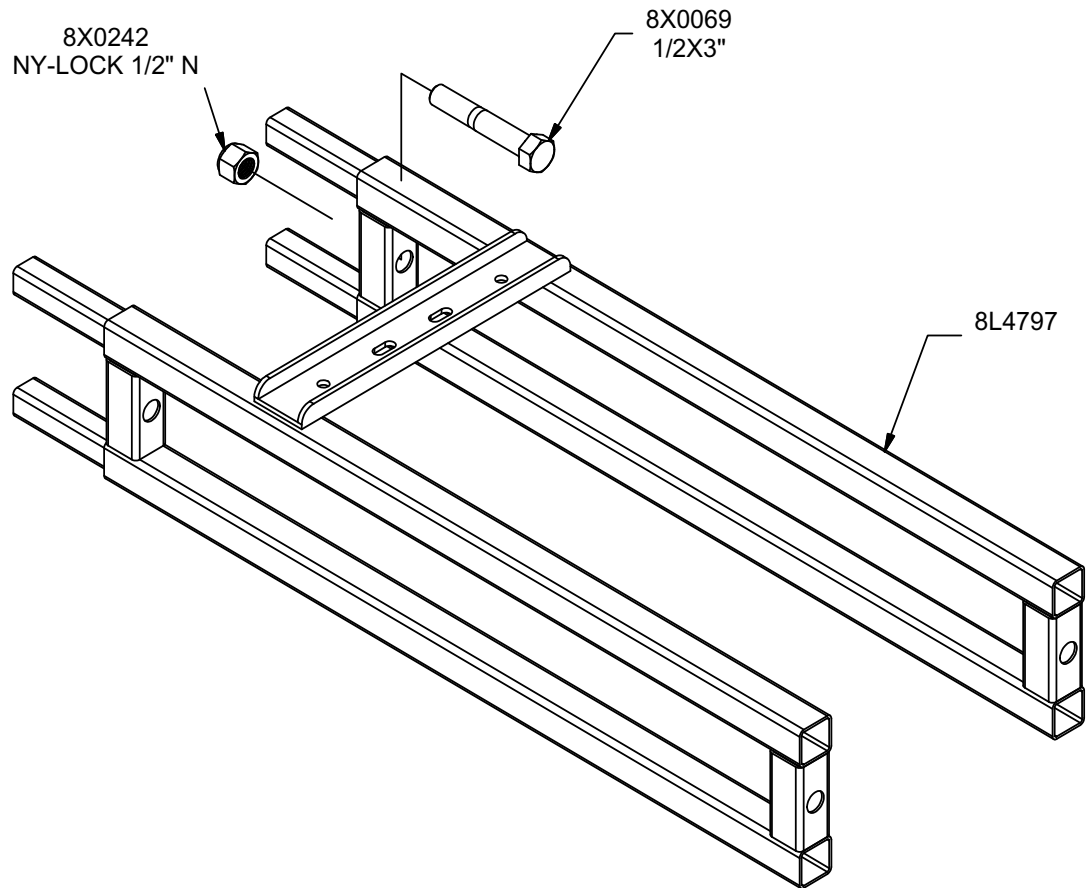
PN	QTY
8L4796	2
8X0069	4
8X0242	4



9.45

BOOM PACKAGE 3' 4" EXT 2
63'4", 73'4", 83'4", 93'4", 103'4" ULTIMATE

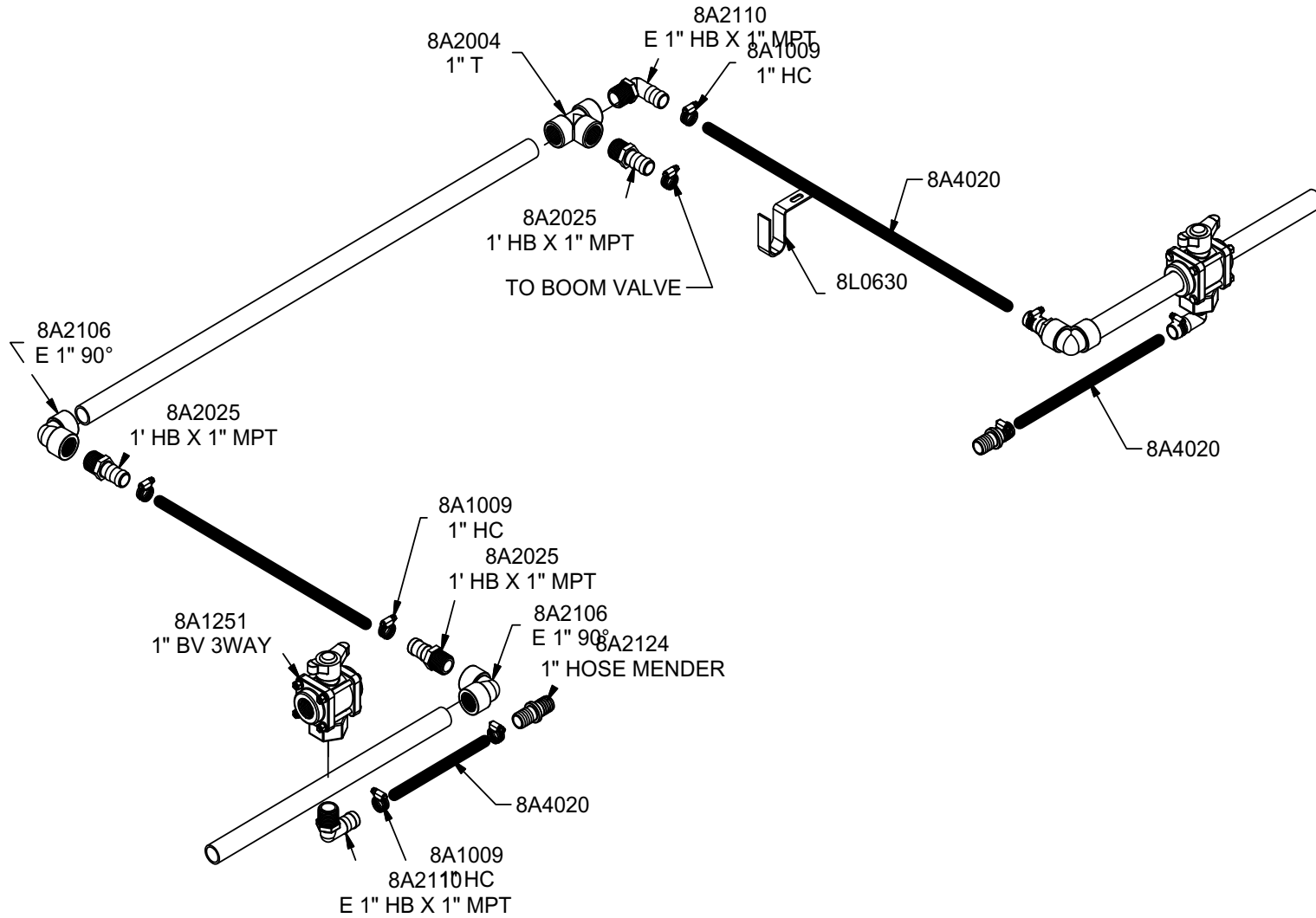
PN	QTY
8L4797	2
8X0069	4
8X0242	4



9.46

EQUAL BOOM WIDTH OPTION

PN	QTY
8A1009	8
8A1251	2
8A2004	1
8A2025	2
8A2110	3
8A2124	2
8A4020	20'
8A4052	30
8L0630	12



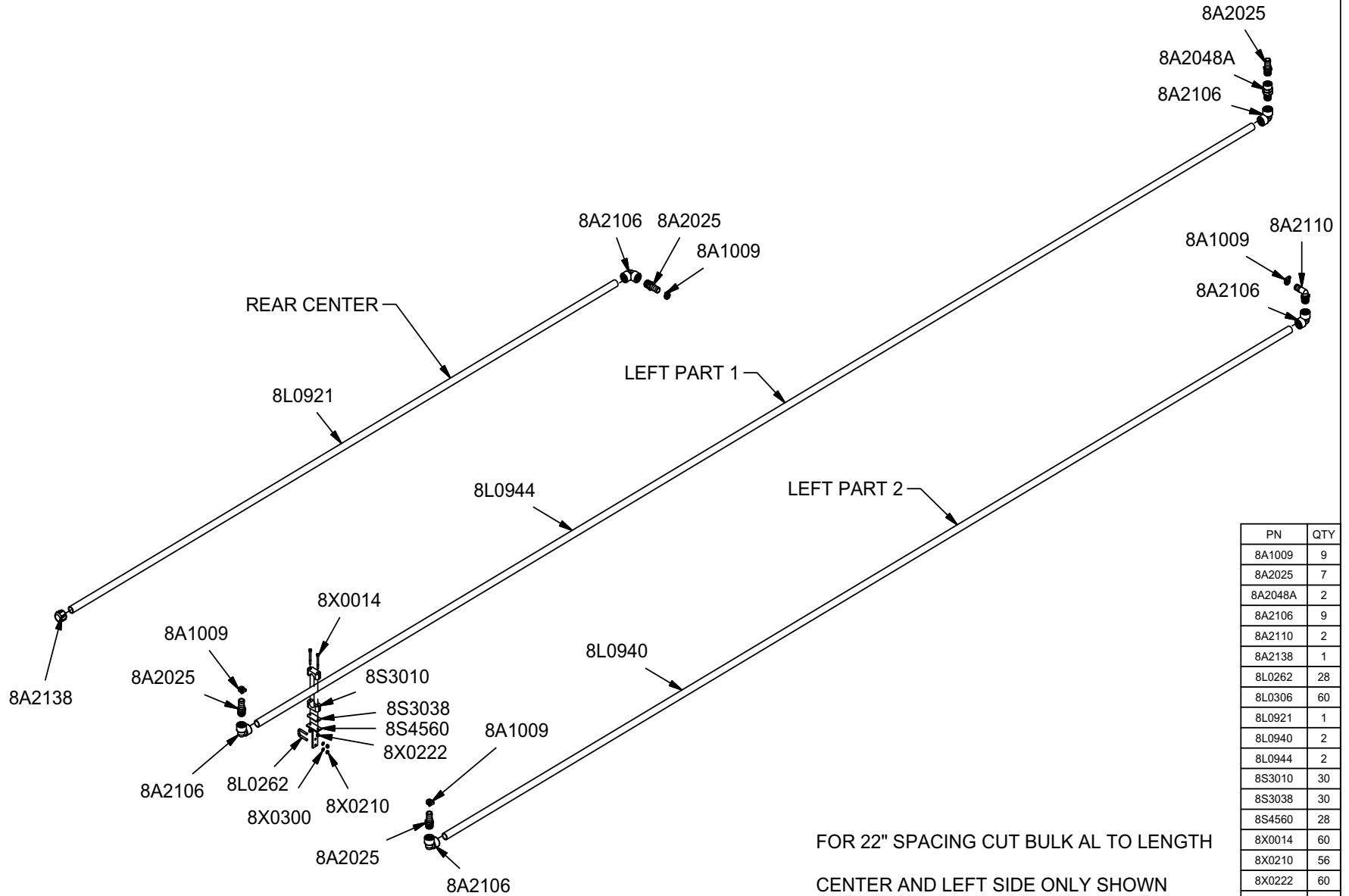
9.47

11/6/2008

8L4957/EQUAL BM WIDTH OPT ULT

100' CENTER WET BOOM PACKAGES 120'-133'4" ULTRA

9.48



PN	QTY
8A1009	9
8A2025	7
8A2048A	2
8A2106	9
8A2110	2
8A2138	1
8L0262	28
8L0306	60
8L0921	1
8L0940	2
8L0944	2
8S3010	30
8S3038	30
8S4560	28
8X0014	60
8X0210	56
8X0222	60
8X0300	56

FOR 22" SPACING CUT BULK AL TO LENGTH
CENTER AND LEFT SIDE ONLY SHOWN

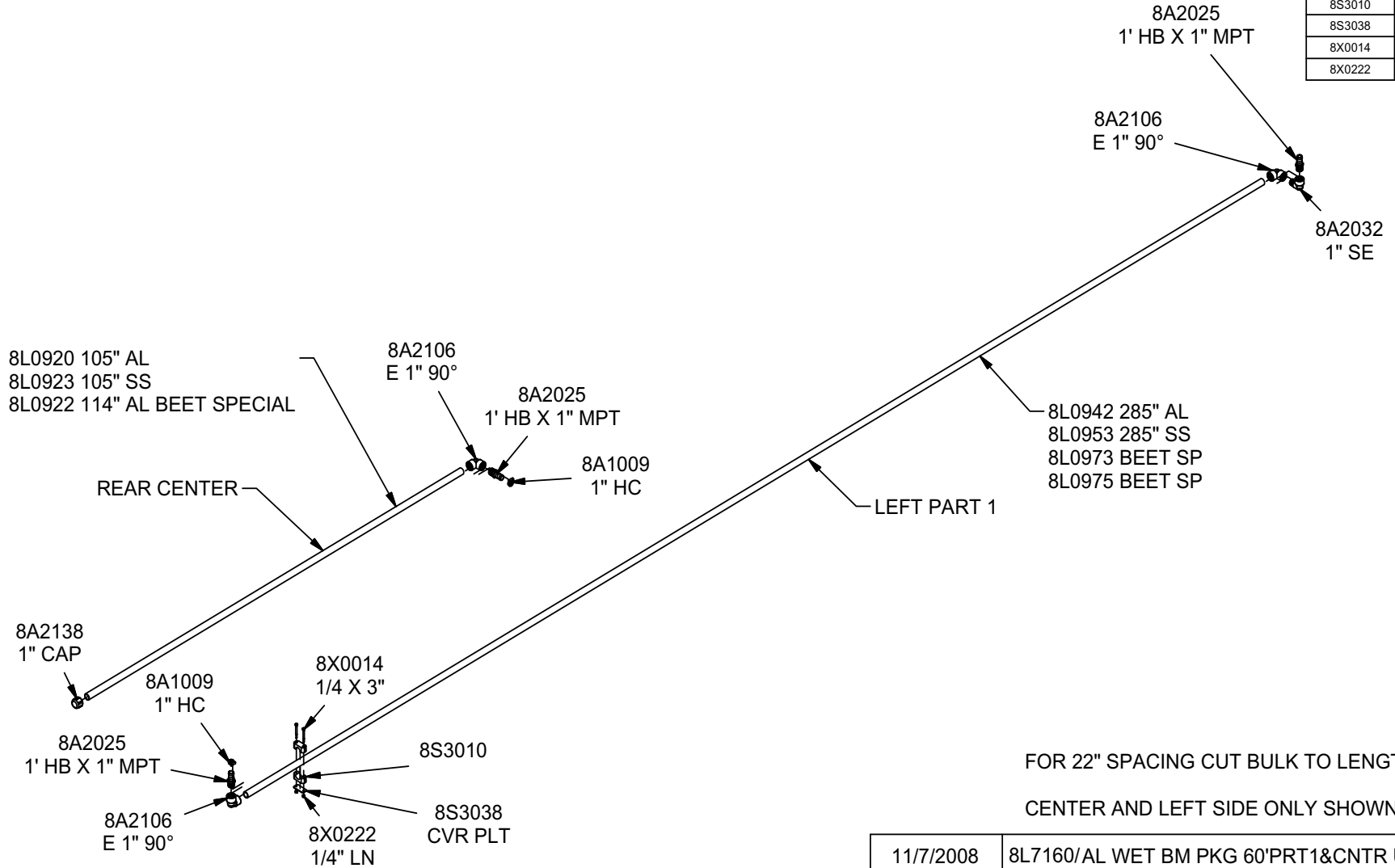
11/7/2008

8L7170/AL WTBM PKG100'(1-2-CNTR)ULTRA

60' CENTER WET BOOM PACKAGES 100'-110' ULTIMATE

PN	QTY
8A1009	6
8A2025	5
8A2032	2
8A2106	5
8A2138	1
8A4020	35
8A4050	12
8A4052	12
8L0306	36
8L0920	1
8L0942	2
8S3010	19
8S3038	19
8X0014	38
8X0222	38

9.49

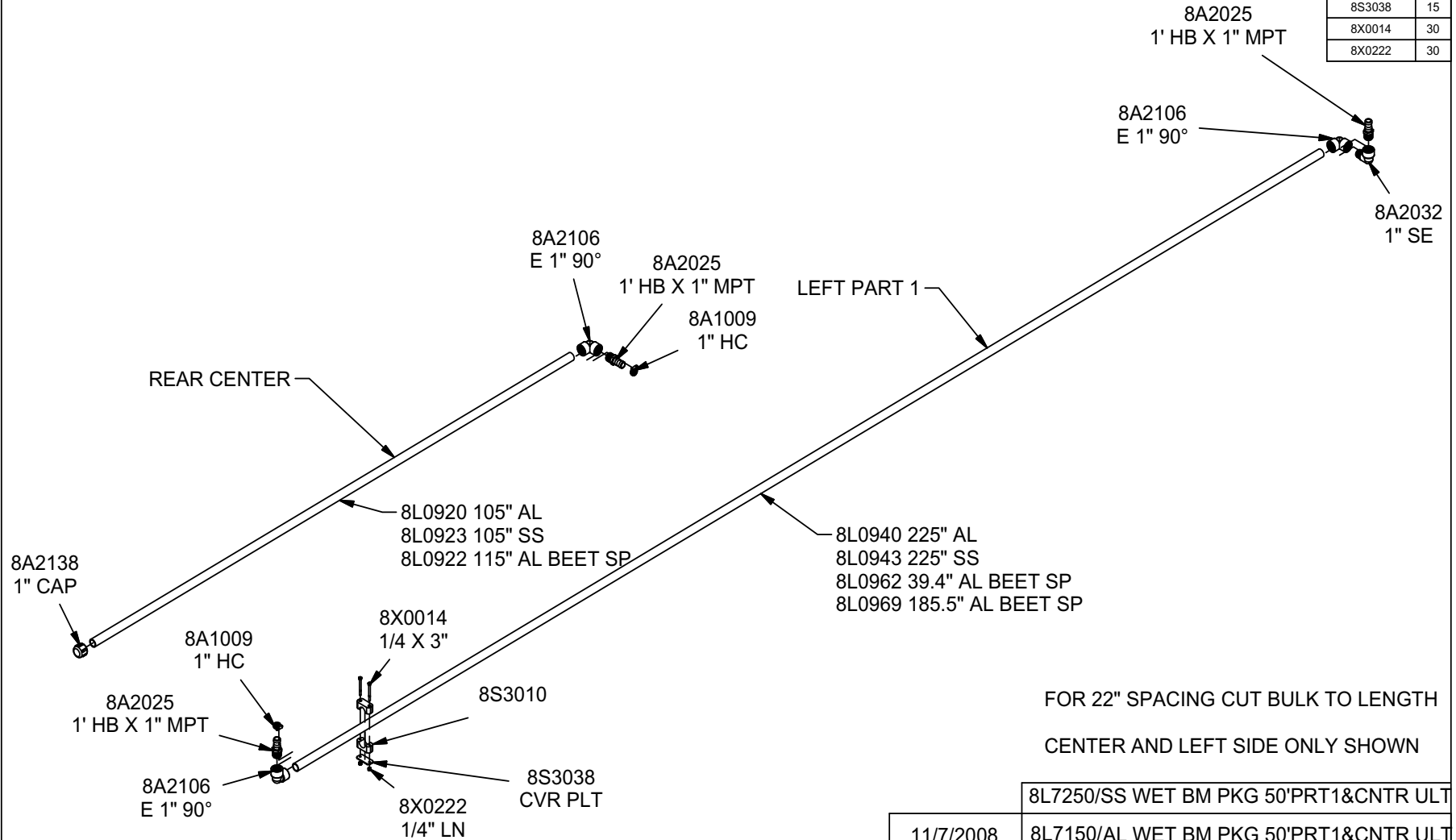


11/7/2008	8L7160/AL WET BM PKG 60'PRT1&CNTR ULT
-----------	---------------------------------------

50' CENTER WET BOOM PACKAGES 60'-96'8" ULTIMATE

PN	QTY
8A1009	6
8A2025	5
8A2032	2
8A2106	5
8A2138	1
8A4020	35'
8A4050	11
8A4052	11
8L0306	30
8L0920	1
8L0940	2
8S3010	15
8S3038	15
8X0014	30
8X0222	30

9.50



8L7250/SS WET BM PKG 50'PRT1&CNTR ULT
8L7150/AL WET BM PKG 50'PRT1&CNTR ULT

11/7/2008

50' PART 2 WET BOOM PACKAGES 110' ULTIMATE

PN	QTY
8A1009	4
8A2025	2
8A2048A	2
8A2106	2
8A2138	2
8A4020	6.17'
8L0306	30
8L0942	2
8S3010	16
8S3038	16
8X0014	32
8X0222	32

8A2138
1" CAP

8L0306
CAPLUG

8L0942 285" AL
8L0953 285" SS
8L0971 29.75" BEET SP
8L0977 252.25" BEET SP

8A2048A
1" SWVL CPLNG

8A2025
1' HB X 1" MPT

8A1009
1" HC

8X0014
1/4 X 3"

8A2106
E 1" 90°

8X0222
1/4" LN

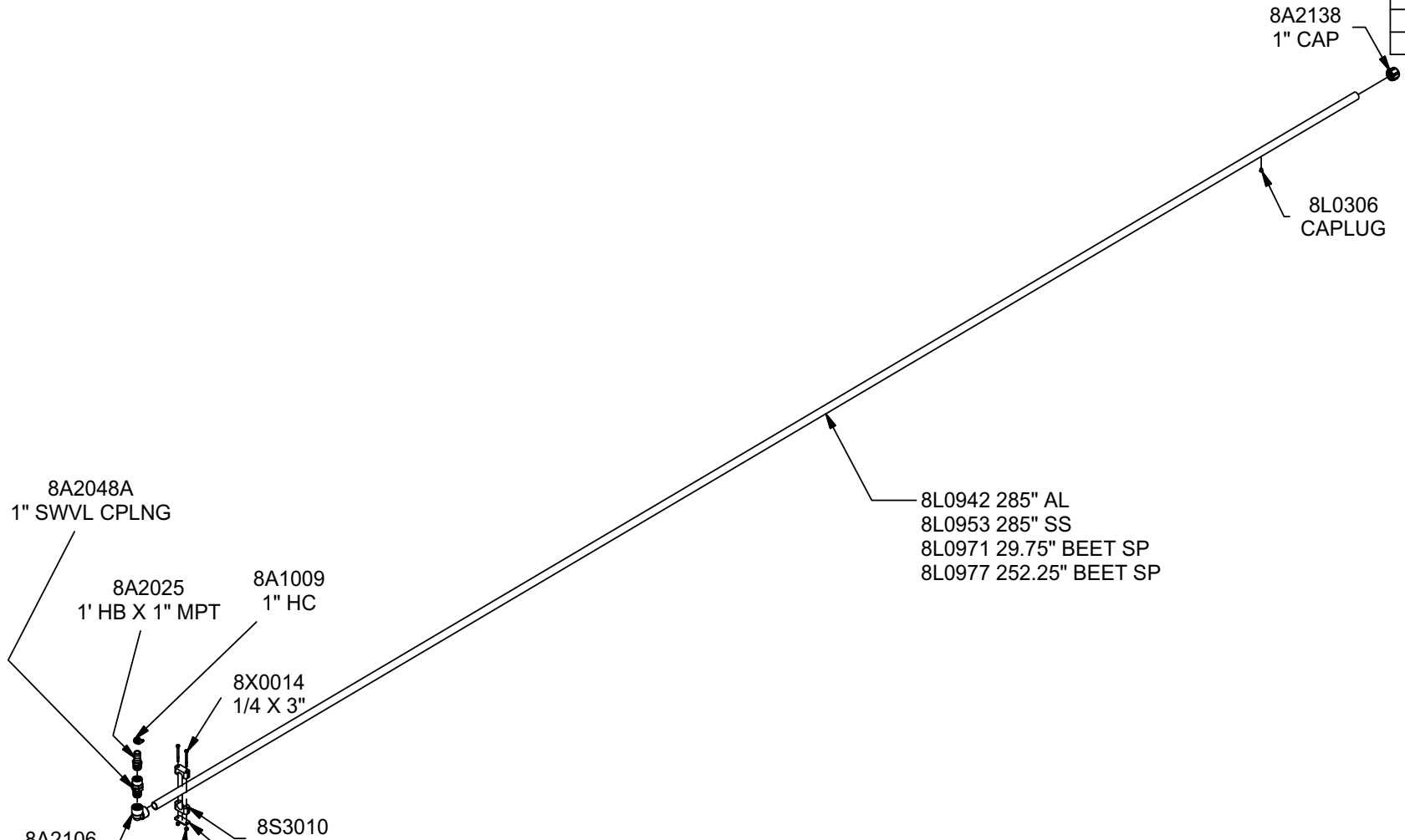
8S3010

8S3038
CVR PLT

FOR 22" SPACING CUT BULK TO LENGTH

11/6/2008 8L7142/AL WET BM PKG 50' PRT2 ULT

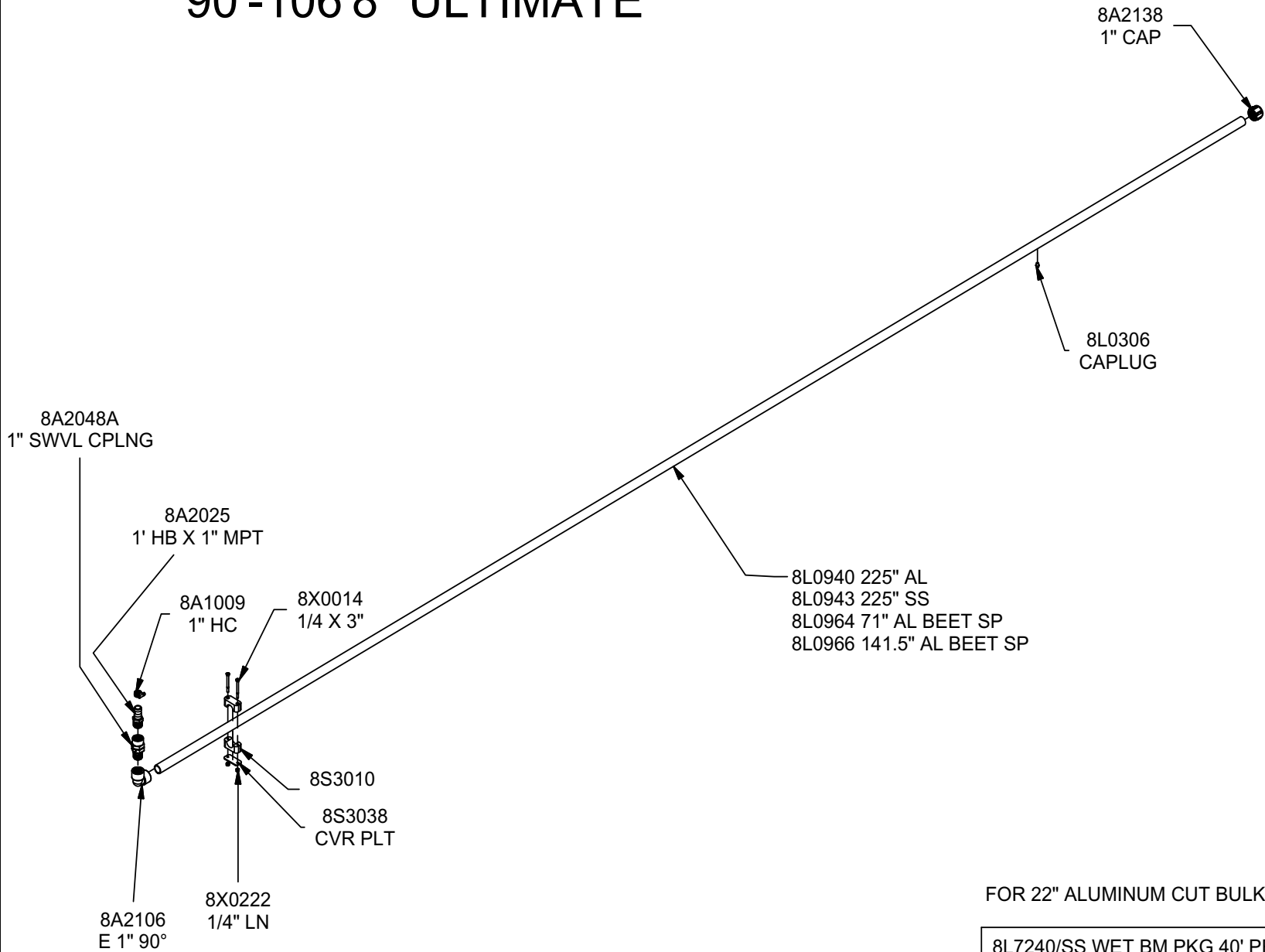
9.51



40' PART 2 WET BOOM PACKAGES 90'-106'8" ULTIMATE

PN	QTY
8A1009	4
8A2025	2
8A2048A	2
8A2106	2
8A2138	2
8A4020	6.17'
8L0306	24
8L0940	2
8S3010	12
8S3038	12
8X0014	24
8X0222	24

9.52



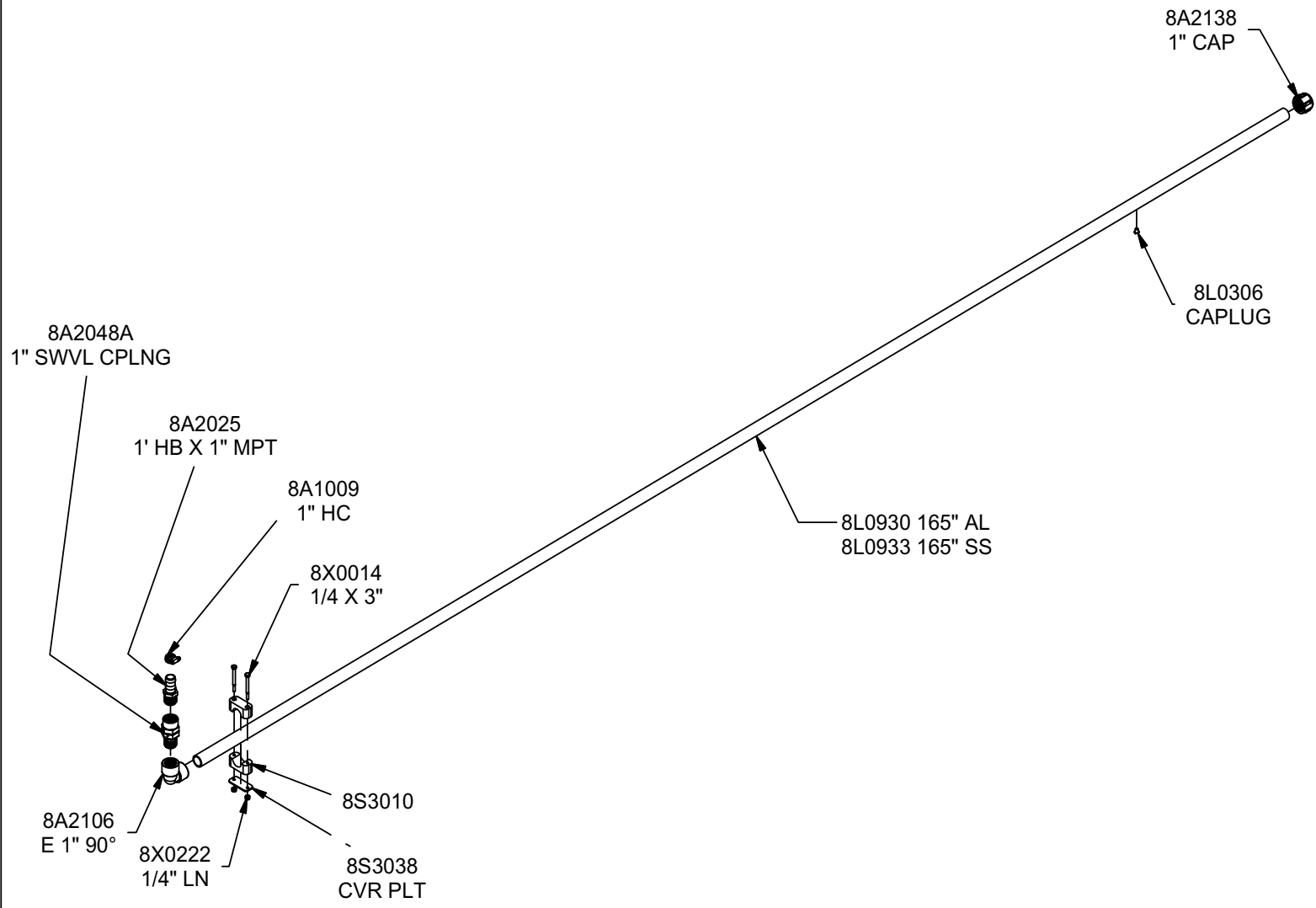
FOR 22" ALUMINUM CUT BULK TO LENGTH

	8L7240/SS WET BM PKG 40' PRT2 ULT
11/6/2008	8L7140/AL WET BM PKG 40' PRT2 ULT

30' PART 2 WET BOOM PACKAGES 80'-86'8" ULTIMATE

PN	QTY
8A1009	4
8A2025	2
8A2048A	2
8A2106	2
8A2138	2
8A4020	6.17'
8L0306	18
8L0930	2
8S3010	10
8S3038	10
8X0014	20
8X0222	20

9.53



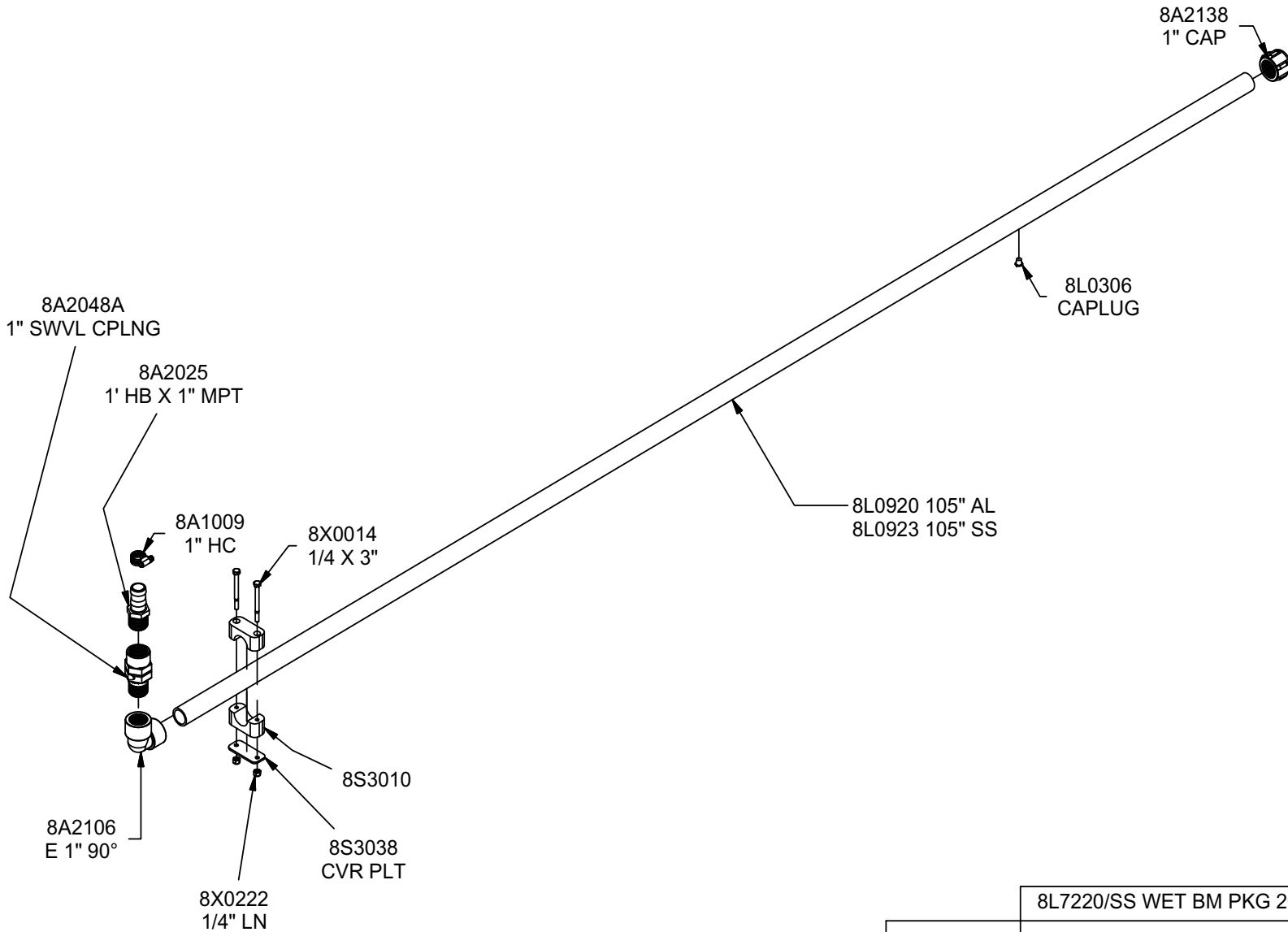
	8L7230/SS WET BM PKG 30' PRT2 ULT
11/6/2008	8L7130/AL WET BM PKG 30' PRT2 ULT

20' PART 2 WET BOOM PACKAGES

70'-76'8" ULTIMATE

PN	QTY
8A1009	4
8A2025	2
8A2048A	2
8A2106	2
8A2138	2
8A4020	6.17'
8L0306	12
8L0920	2
8S3010	6
8S3038	6
8X0014	12
8X0222	12

9.54

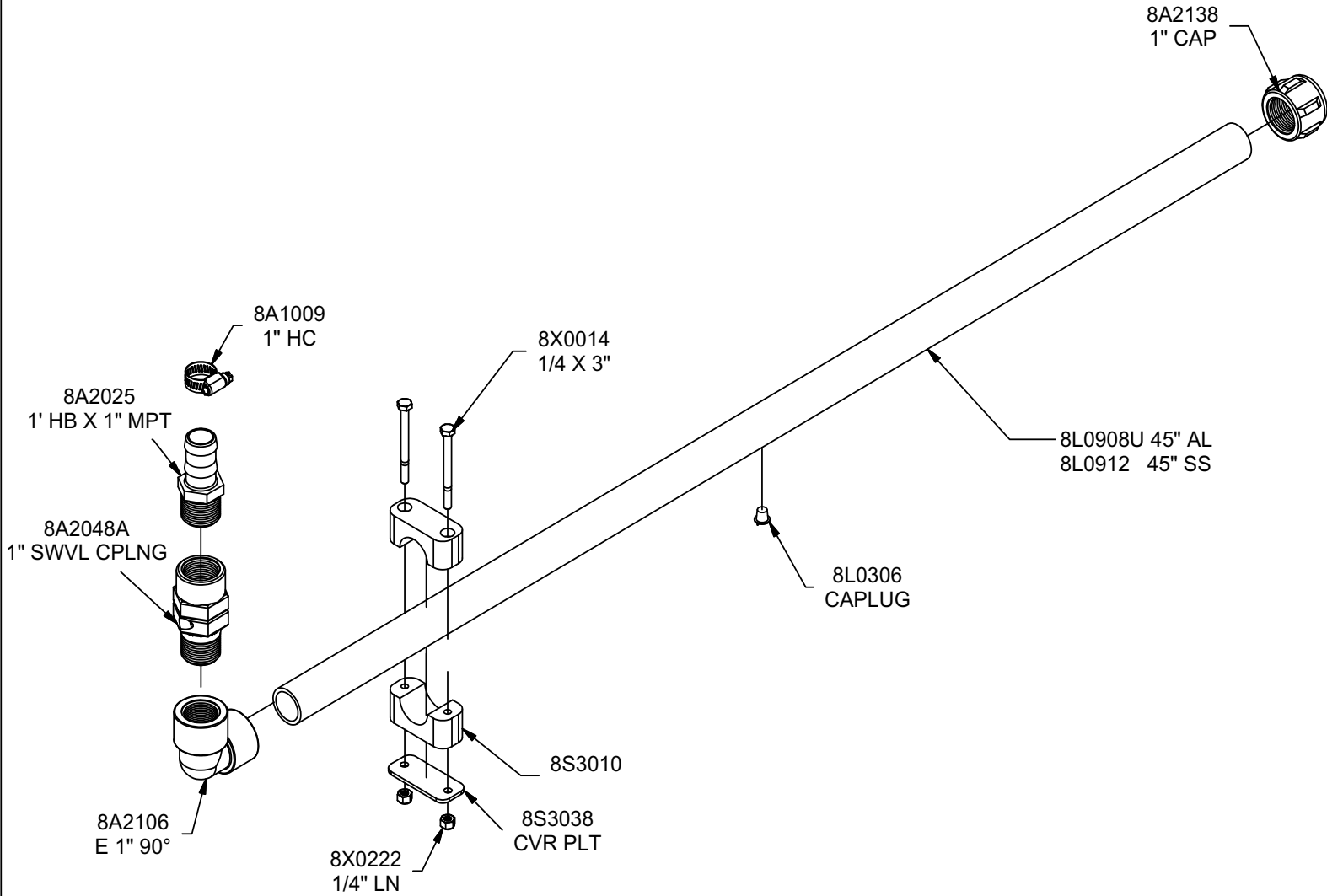


	8L7220/SS WET BM PKG 20' PRT2 ULT
11/6/2008	8L7120/AL WET BM PKG 20' PRT2 ULT

10' PART 2 WET BOOM PACKAGES 60'-66'8" ULTIMATE

PN	QTY
8A1009	4
8A2025	2
8A2048A	2
8A2106	2
8A2138	2
8L0306	6
8L0908U	2
8S3010	4
8S3038	4
8X0014	8
8X0222	8

9.55

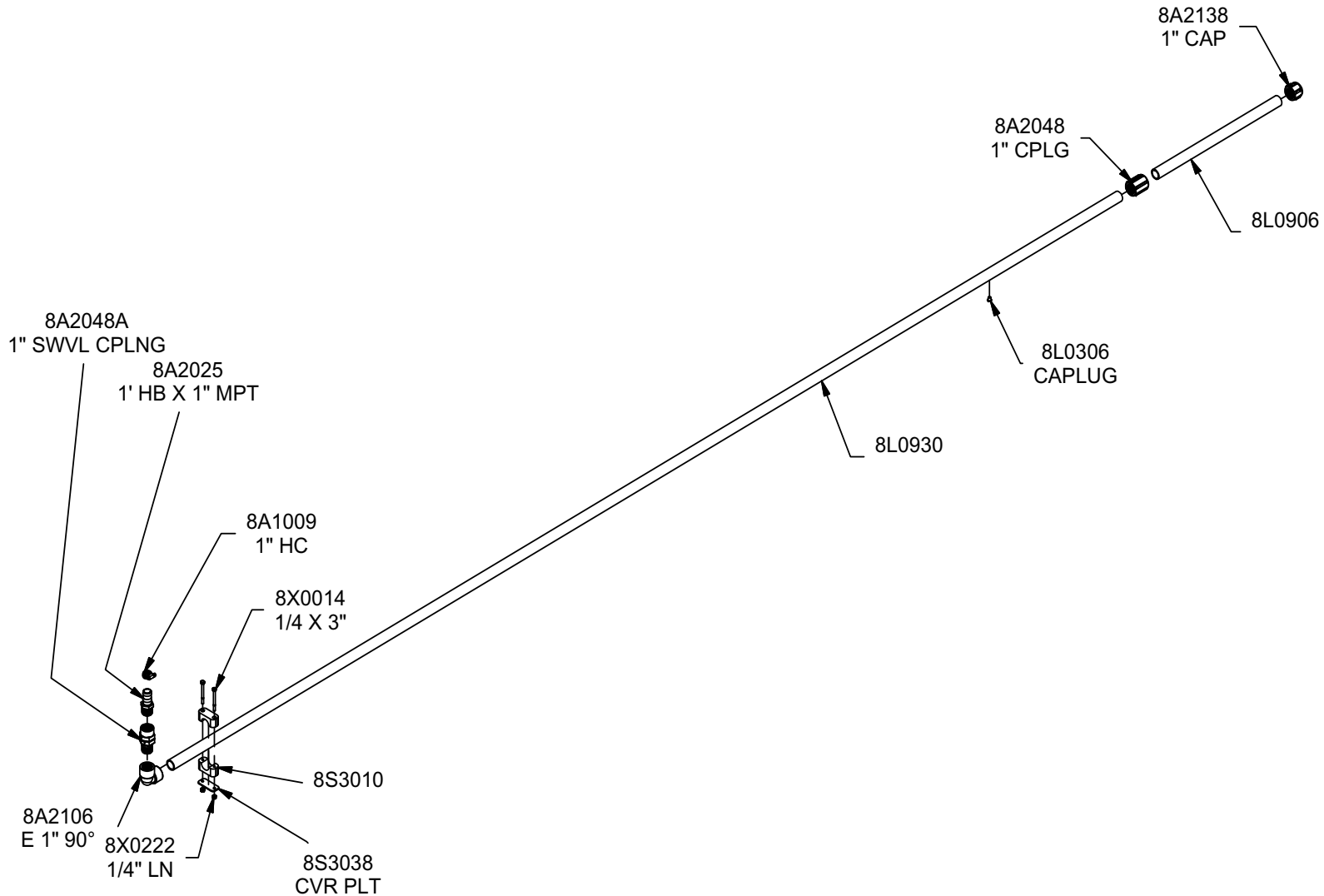


8L7220/SS WET BM PKG 10' PRT2 ULT
11/6/2008 8L7110/AL WET BM PKG 10' PRT2 ULT

33'4" PART 3 WET BOOM PACKAGES 133'4" ULTRA

PN	QTY
8A1009	2
8A2025	2
8A2048	2
8A2048A	2
8A2106	2
8A2138	2
8A4020	6.17'
8L0306	20
8L0906	2
8L0930	2
8S3010	10
8S3038	10
8X0014	20
8X0222	20

9.56



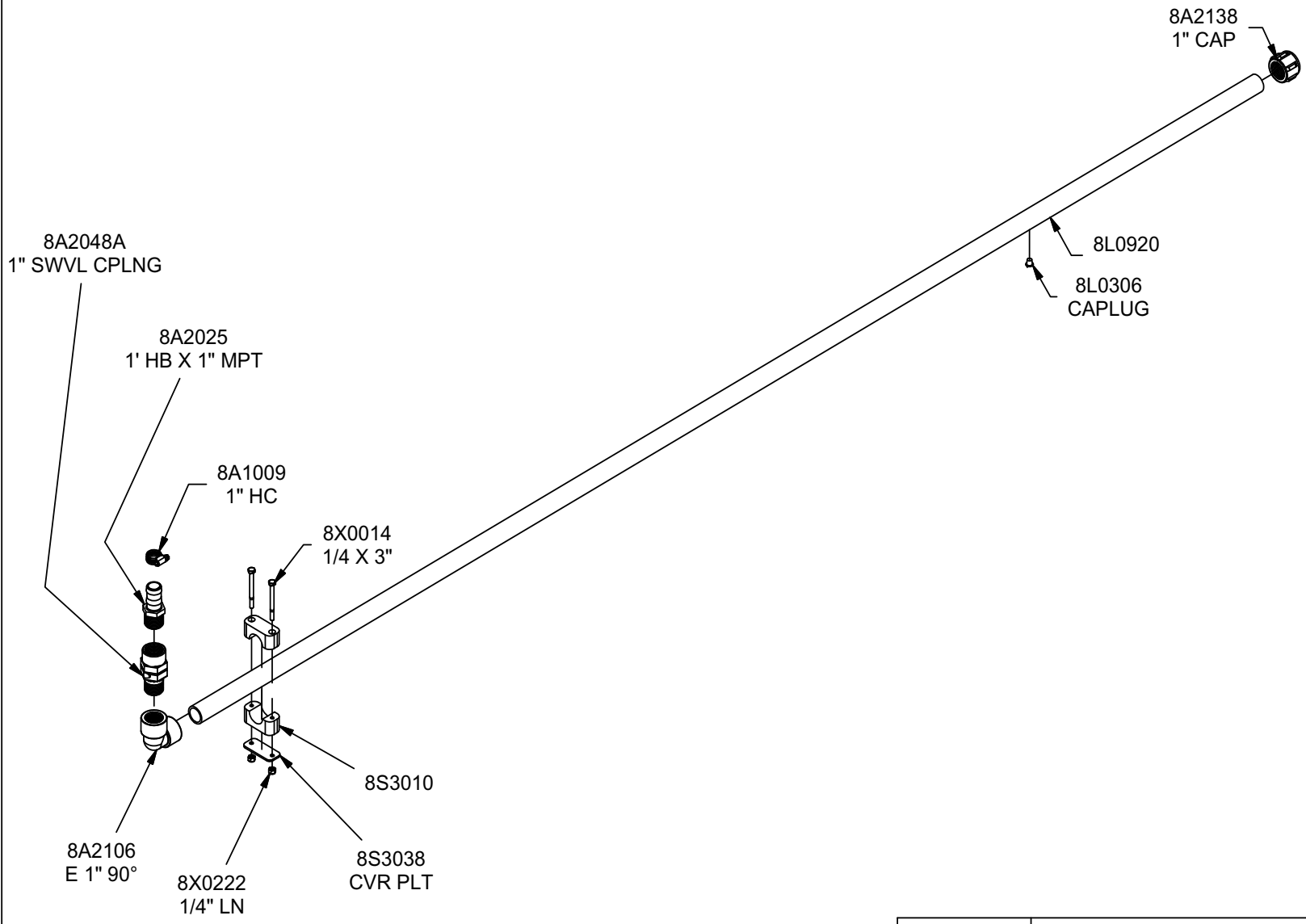
FOR 22" SPACING CUT BULK TO LENGTH

11/6/2008

8L7133/AL WET BM PKG 33'4" PRT3 ULTRA

20' PART 3 WET BOOM PACKAGES 120' ULTRA

PN	QTY
8A1009	4
8A2025	2
8A2048A	2
8A2106	2
8A2138	2
8A4020	6.17'
8L0306	12
8L0920	2
8S3010	8
8S3038	8
8X0014	16
8X0222	16

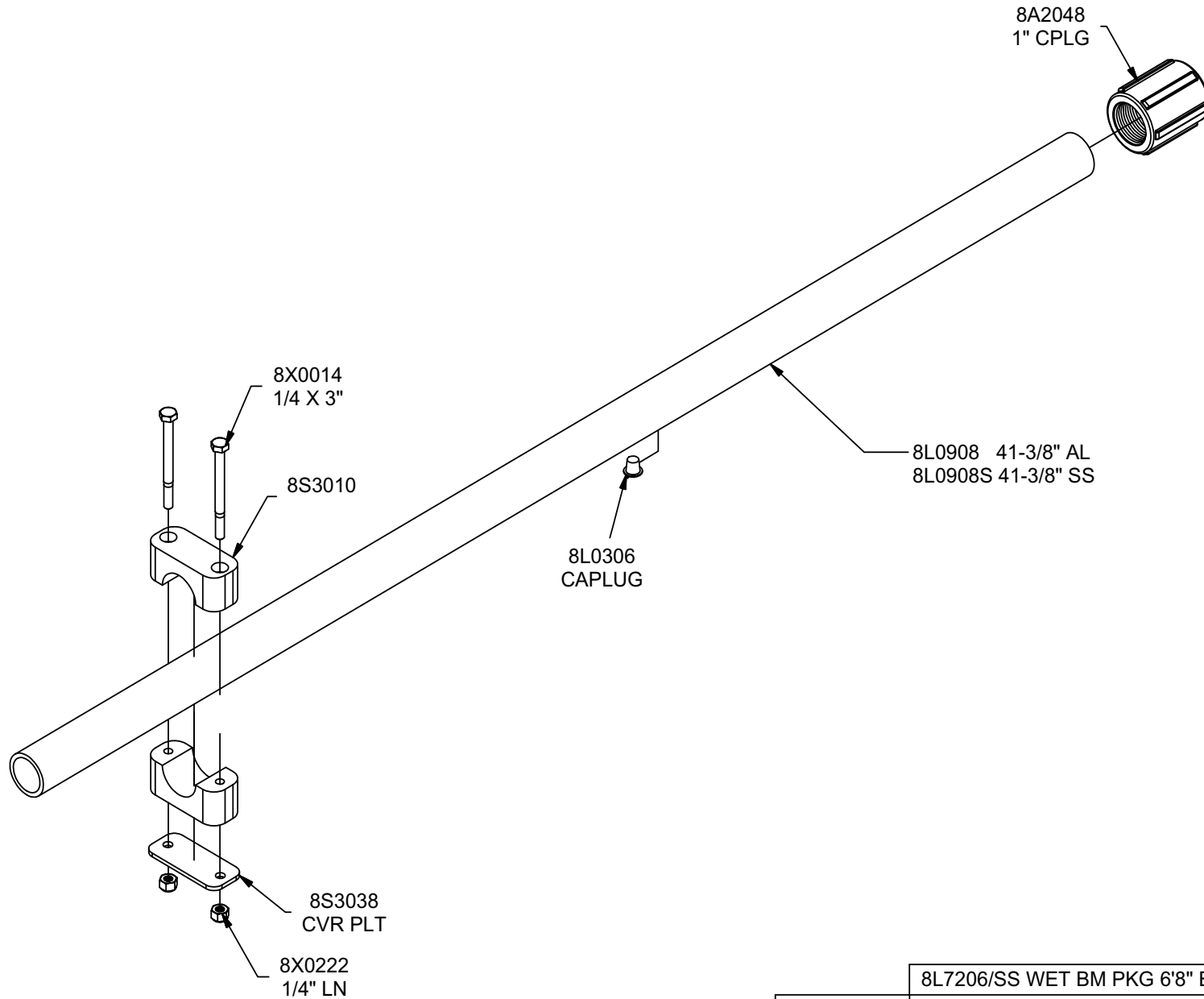


9.57

6' 8" PART 3 WET BOOM PACKAGES

66'8", 76'8", 86'8", 96'8", 106'8" ULTIMATE

PN	QTY
8A2048	2
8L0306	4
8L0908	2
8S3010	4
8S3038	4
8X0014	8
8X0222	8

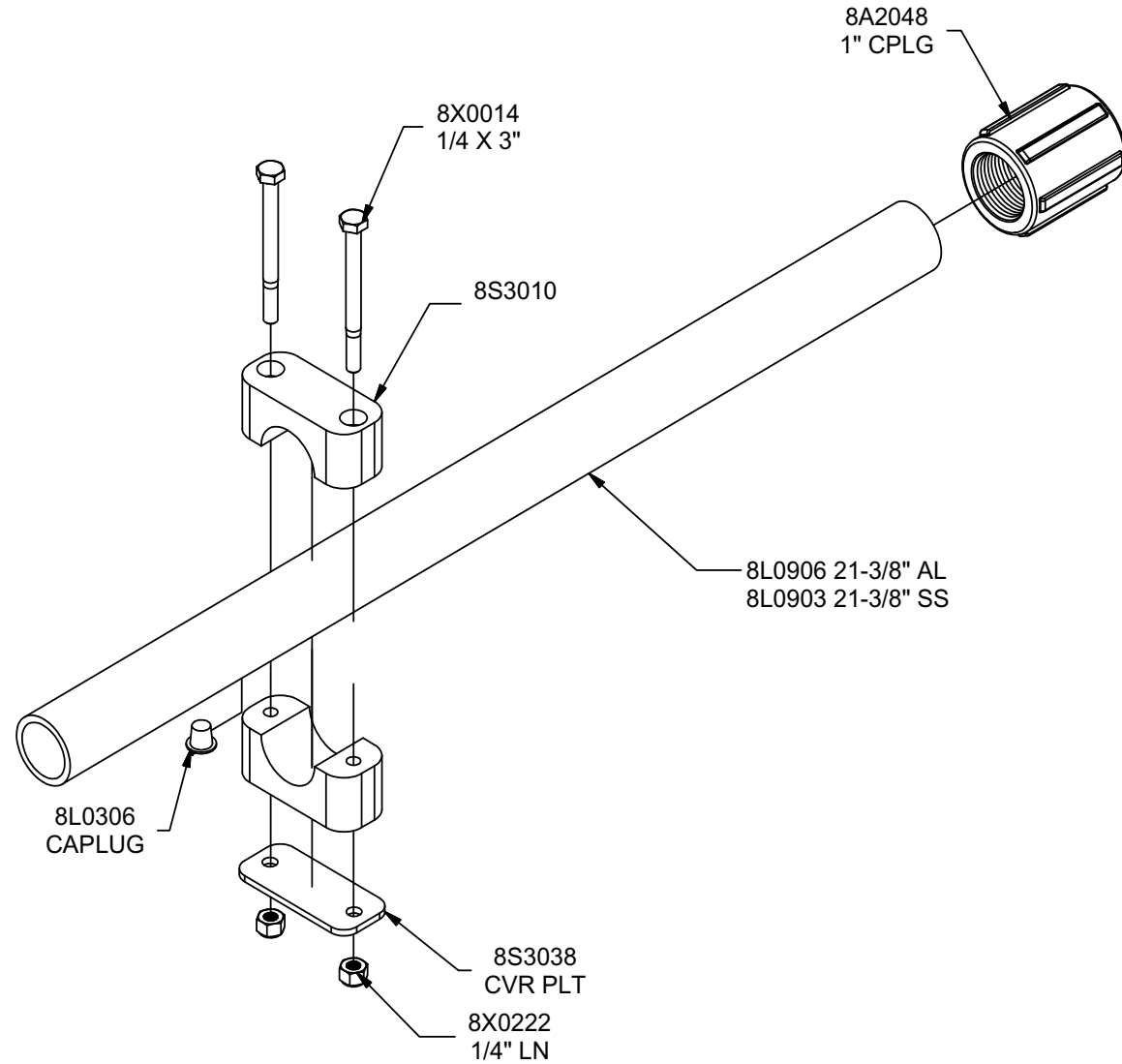


9.58

11/6/2008	8L7206/SS WET BM PKG 6'8" EXT 2 ULT
	8L7106/AL WET BM PKG 6'8" EXT 2 ULT

3' 4" PART 3 WET BOOM PACKAGES 63'4", 73' 4", 83'4", 93'4", 103'4" ULTIMATE

PN	QTY
8A2048	2
8L0306	2
8L0906	2
8S3010	2
8S3038	2
8X0014	4
8X0222	4



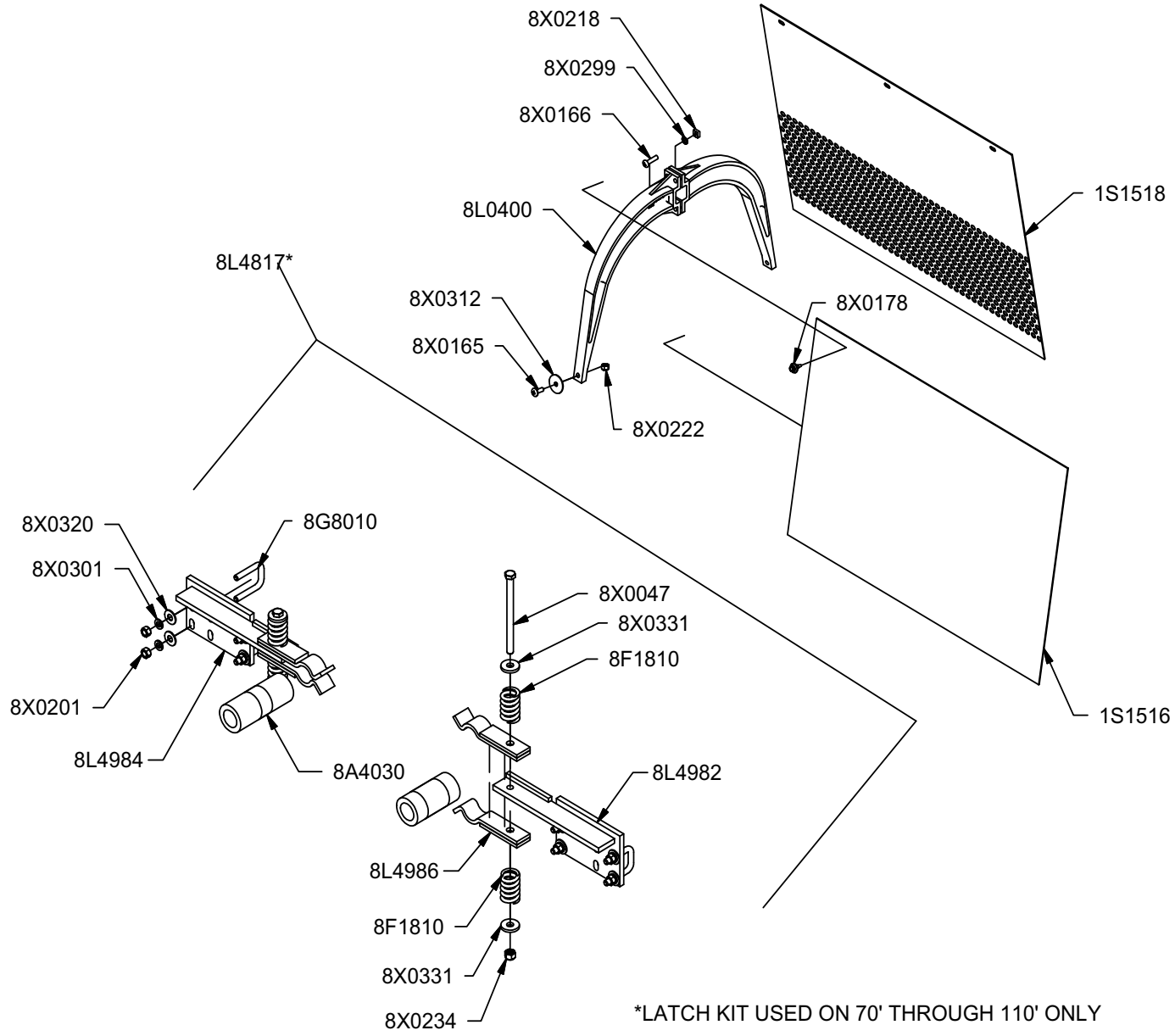
9.59

8L7203/SS WET BM PKG 3'4" EXT 2 ULT

11/6/2008

8L7103/AL WET BM PKG 3'4" EXT 2 ULT

09'6



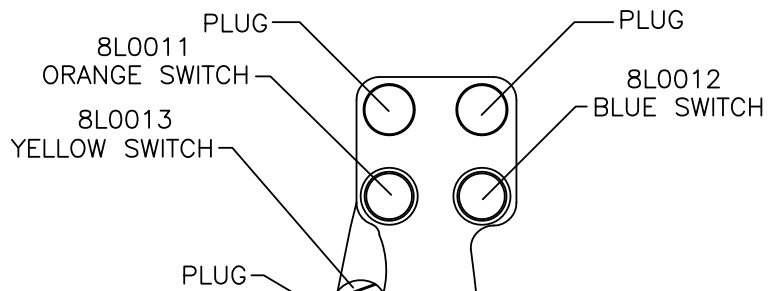
8L6260	60'
8L6263	63'
8L6266	66'
*8L6270	70'
*8L6273	73'
*8L6276	76'
*8L6280	80'
*8L6283	83'
*8L6286	86'
*8L6290	90'
*8L6293	93'
*8L6296	96'
*8L6300	100'
*8L6303	103'
*8L6306	106'
*8L6310	110'

12/12/2005

8L6260/WINDSHIELD PACKAGES - ULTIMATE

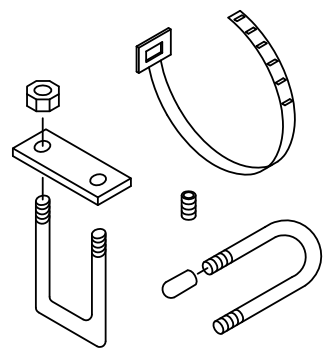
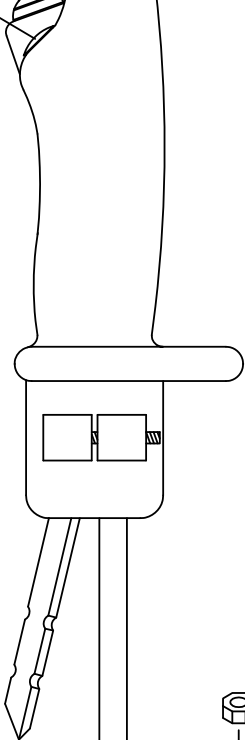
SUMMERS MFG. CO., INC.

3-SWITCH FASSE CONTROL GRIP

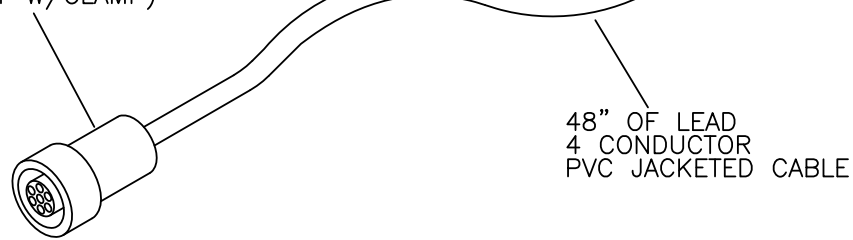


WIRING SCHEMATIC:

- PORT 2 - BATTERY ⊕ TO ALL SWITCHES
- PORT 5 - BLUE SWITCH RIGHT TIPLIFT
- PORT 3 - ORANGE SWITCH LEFT TIPLIFT
- PORT 4 - YELLOW SWITCH VERTICAL



AMP 7 CONTACT SMALL CONNECTOR
(211399-1 W/CLAMP)



48" OF LEAD
4 CONDUCTOR
PVC JACKETED CABLE

CONTROL GRIP PURCHASED WITH:

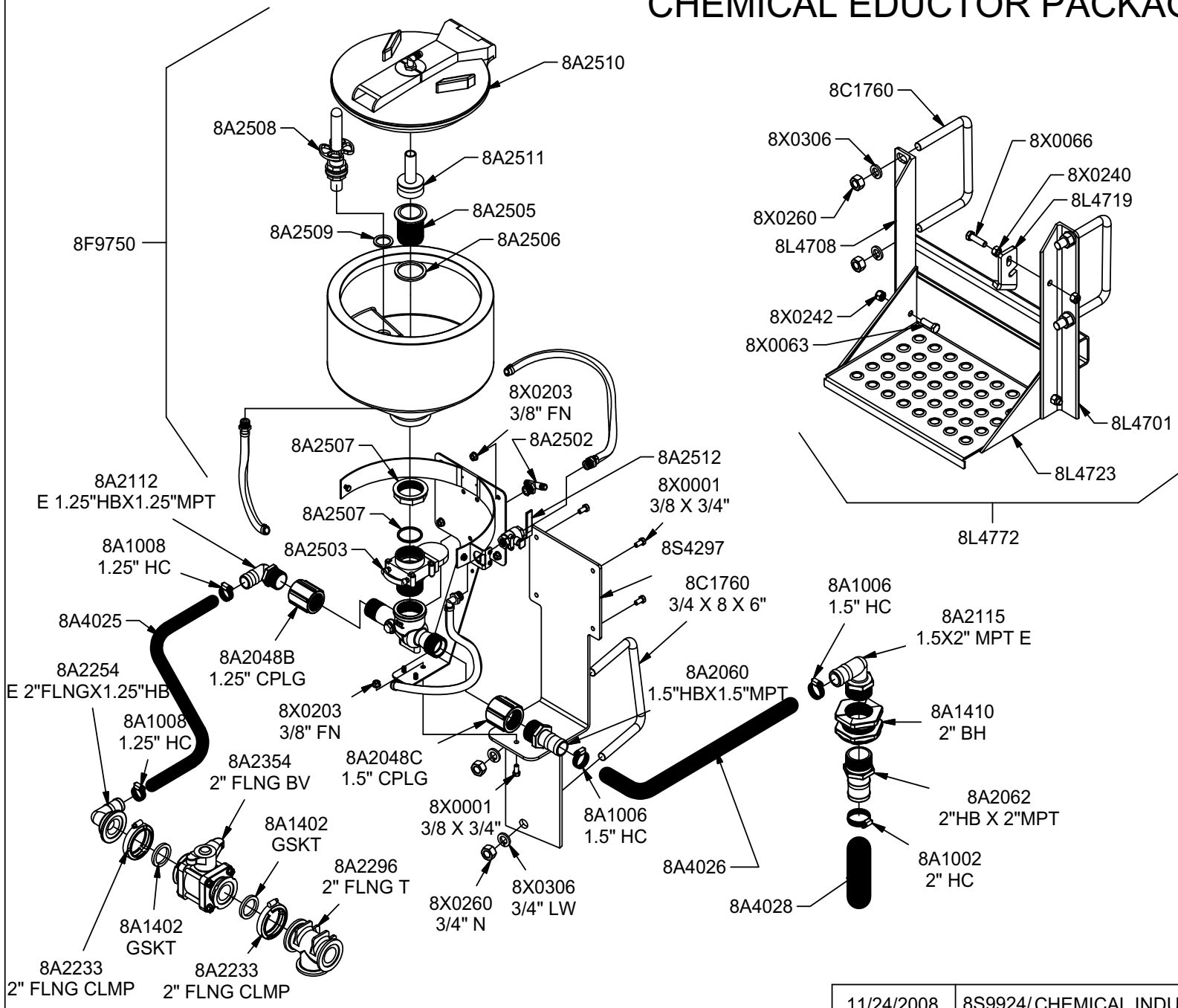
BRACKET - FASSE PN 214-001
MOUNTING HARDWARE KIT - FASSE PN 300-034

2/20/03

8L9901

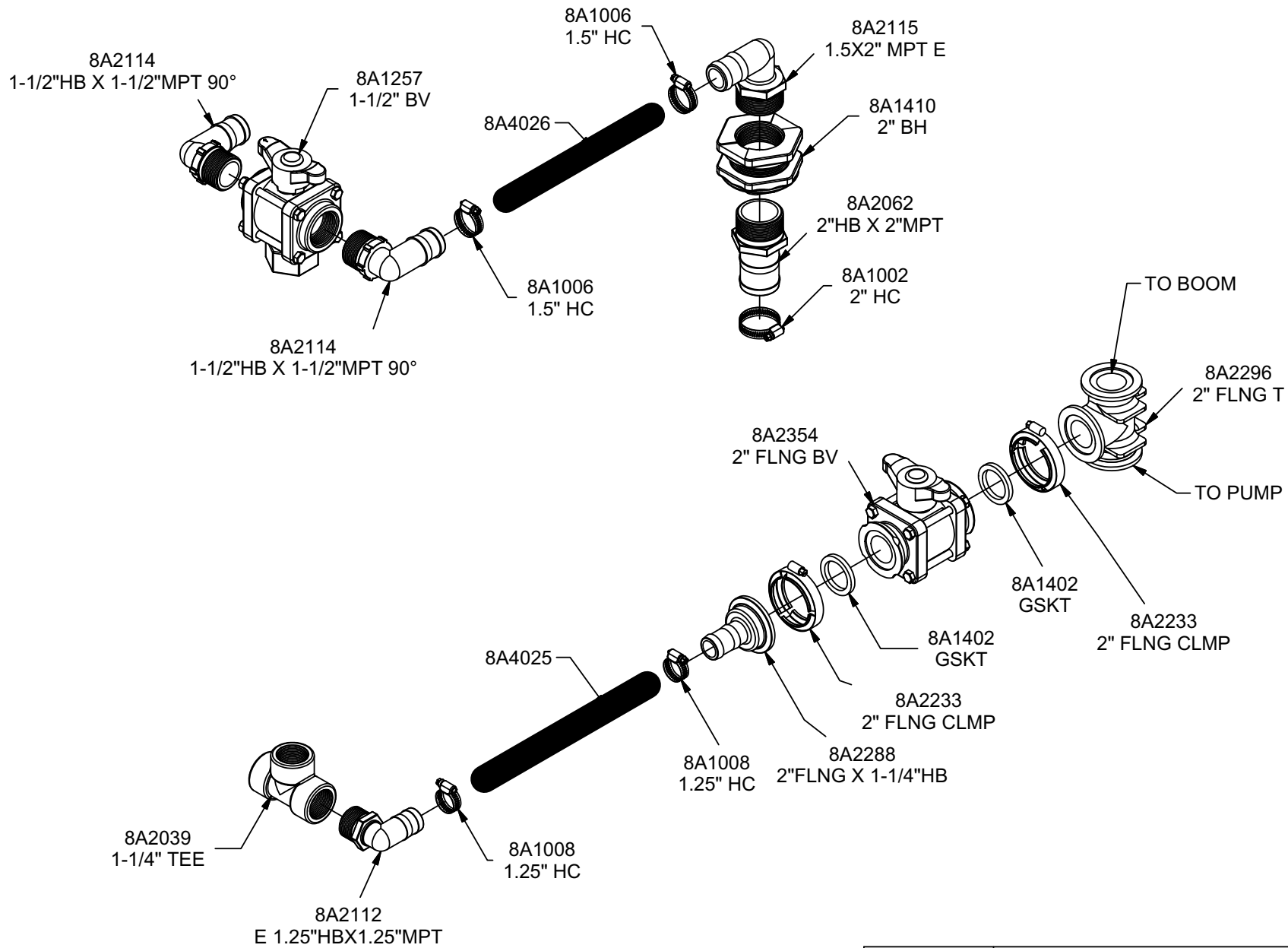
CHEMICAL EDUCTOR PACKAGE

PN	QTY
8A1002	1
8A1006	2
8A1008	2
8A1402	2
8A1410	1
8A2048B	1
8A2048C	1
8A2060	1
8A2062	1
8A2112	1
8A2115	1
8A2233	2
8A2254	1
8A2296	1
8A2354	1
8A4025	3'
8A4026	12'
8A4028	3'
8A4048	1
8C1760	1
8F9750	1
8L4772	1
8S4297	1
8X0001	5
8X0203	5
8X0260	2
8X0306	2
8Z0089	1
8Z0526	1



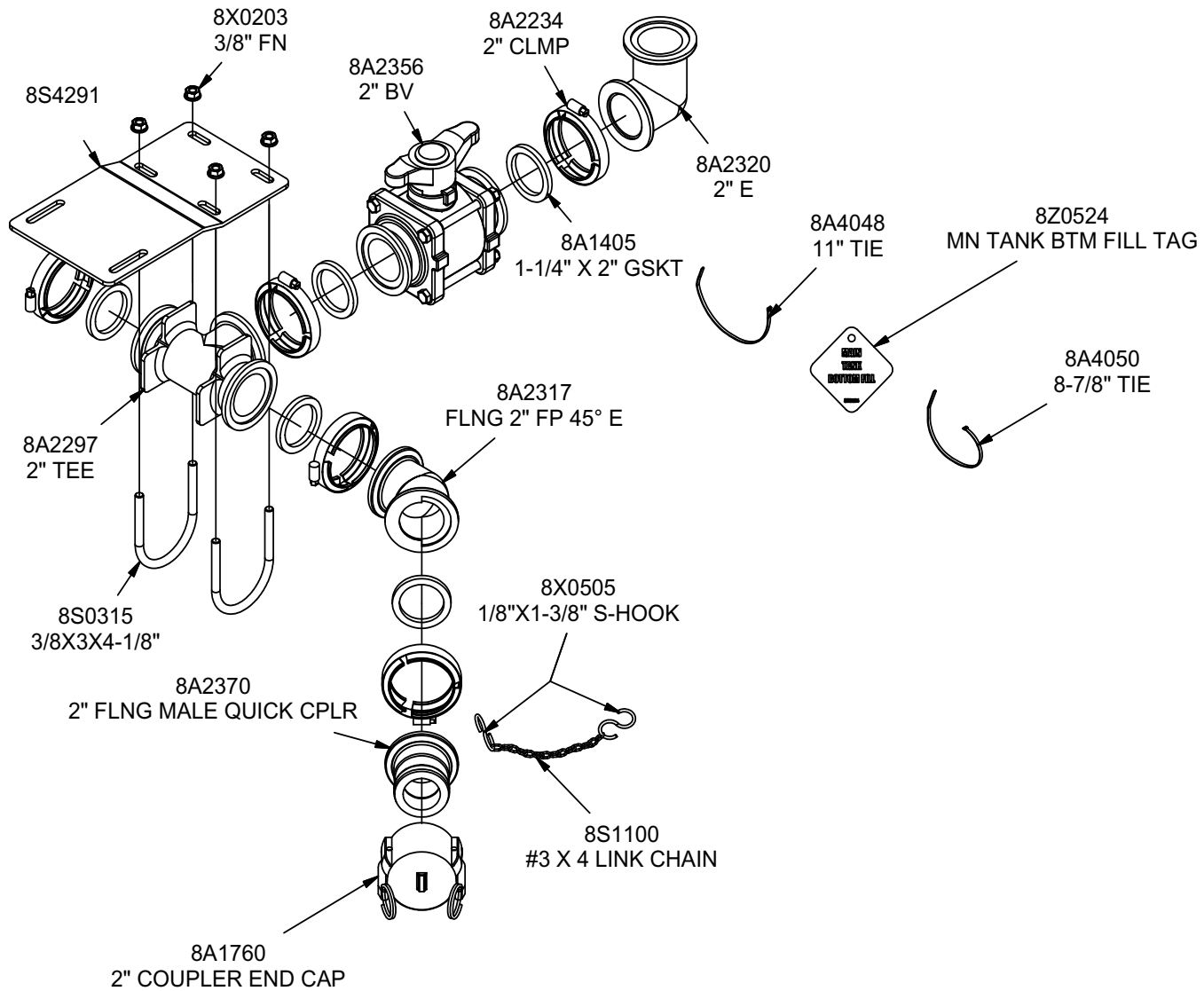
9.62

9.63



PN	QTY
8A1002	1
8A1006	2
8A1008	2
8A1257	1
8A1402	2
8A1410	1
8A2039	1
8A2062	1
8A2112	1
8A2114	2
8A2115	1
8A2233	2
8A2288	1
8A2296	1
8A2354	1
8A4025	2
8A4026	8
8A4028	2
8A4048	1
8Z0526	1
8Z0546	2

2" BOTTOM FILL PACKAGE



PN	QTY
8A1405	5
8A1760	1
8A2234	5
8A2297	1
8A2317	1
8A2320	1
8A2356	1
8A2370	1
8A4048	1
8A4050	1
8S0315	2
8S1100	1
8S4291	1
8X0203	4
8X0505	2
8Z0524	1

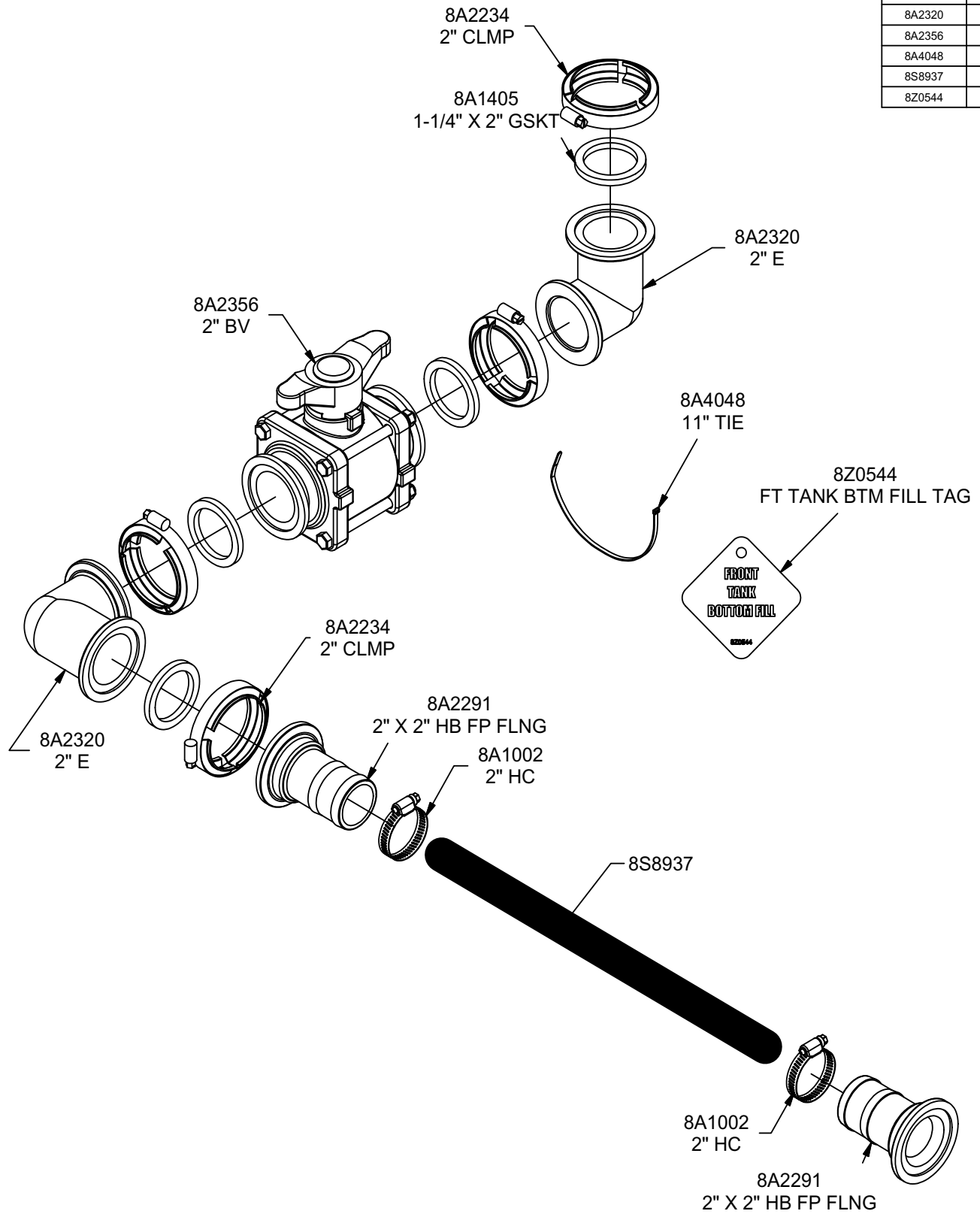
9.64

11/7/2008

8S9935/2" BOTTOM FILL PKG ULT/ULTRA

FRONT TANK 2" BOTTOM FILL PLUMBING PACKAGE

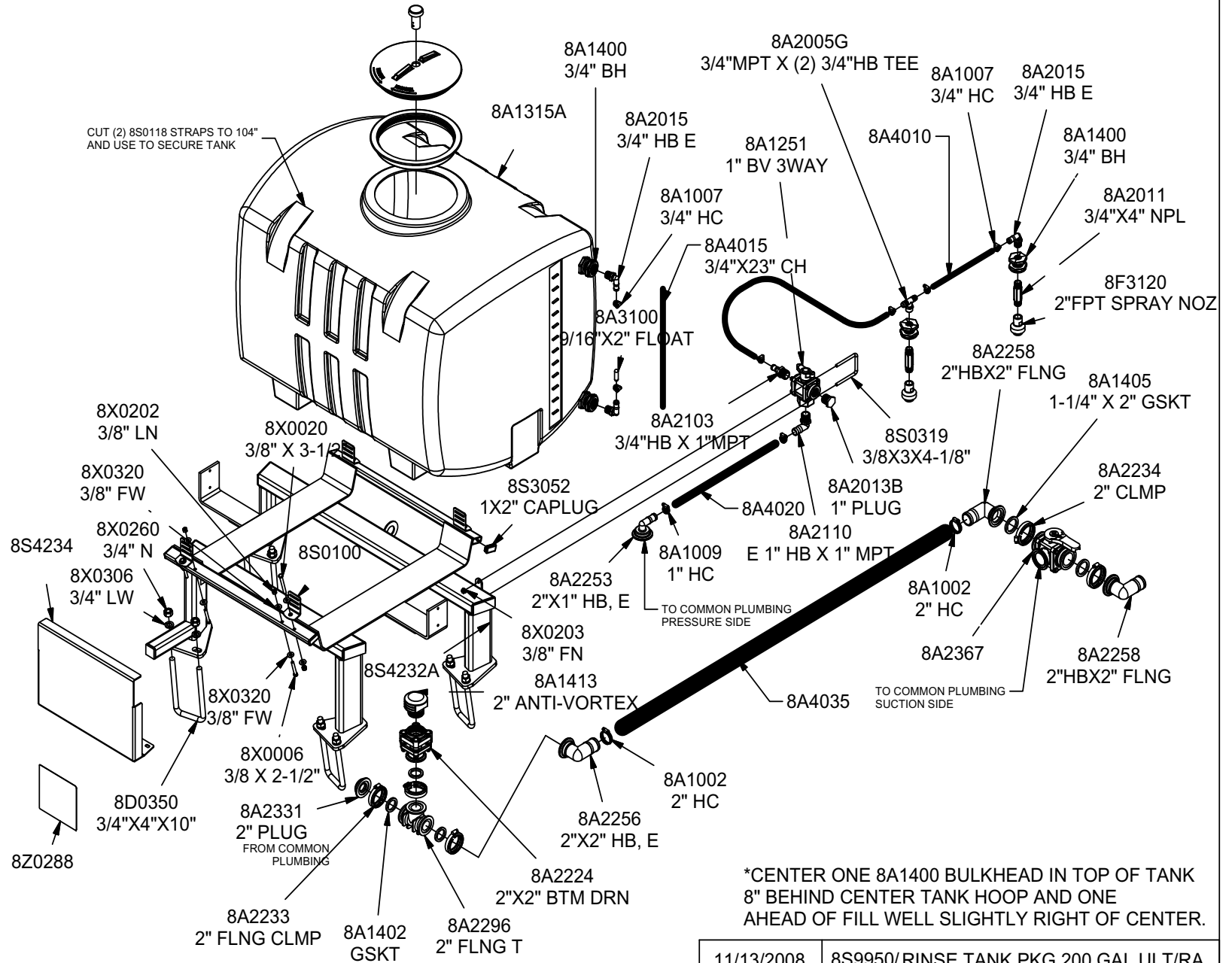
PN	QTY
8A1002	2
8A1405	4
8A2234	4
8A2291	2
8A2320	2
8A2356	1
8A4048	1
8S8937	1
8Z0544	1



11/10/2008	8S9937/FRONT TANK 2" BF PLUMBING PKG
------------	--------------------------------------

PN	QTY
8A1002	2
8A1007	6
8A1009	2
8A1251	1
8A1315A	1
8A1400	4
8A1402	3
8A1405	2
8A1413	1
8A2005G	1
8A2011	2
8A2013B	1
8A2015	3
8A2103	1
8A2110	1
8A2224	1
8A2233	3
8A2234	2
8A2253	1
8A2256	1
8A2258	2
8A2296	1
8A2367	1
8A3100	1
8A4010	12.58'
8A4015	1.92'
8A4020	3.33'
8A4035	1.33'
8A4048	3
8A4050	1
8A4052	8
8D0350	4
8F3120	2
8S0100	4
8S0319	1
8S3052	4
8S4232A	1
8S4234	1
8X0006	2
8X0020	4
8X0202	6
8X0203	2
8X0260	8
8X0306	8
8X0320	12
8Z0089	1
8Z0288	1
8Z0514	1
8Z0518	1

200 GALLON RINSE TANK PACKAGE

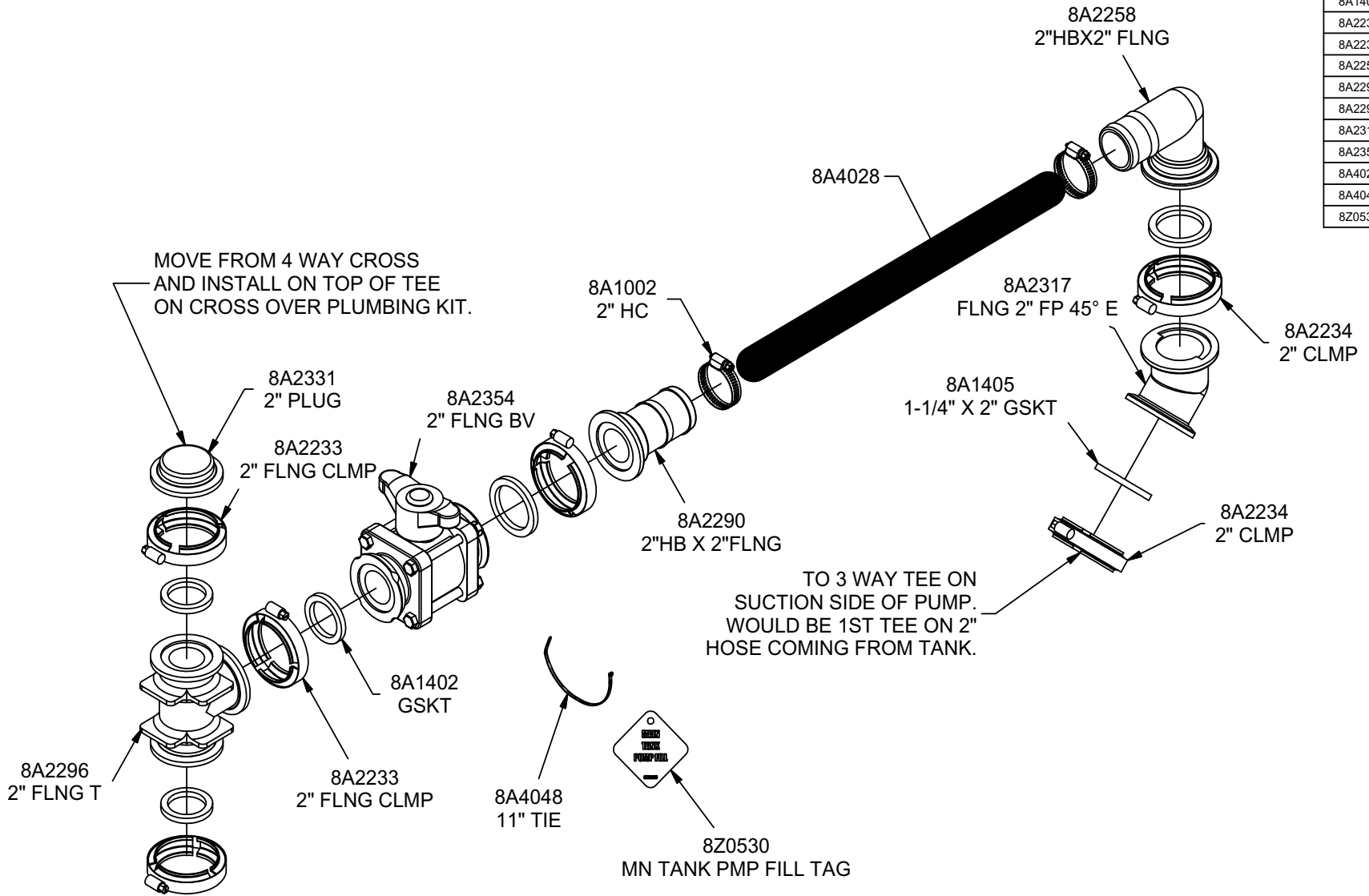


*CENTER ONE 8A1400 BULKHEAD IN TOP OF TANK 8" BEHIND CENTER TANK HOOP AND ONE AHEAD OF FILL WELL SLIGHTLY RIGHT OF CENTER.

CROSS OVER PLUMBING PACKAGE VALVE E

PN	QTY
8A1002	2
8A1402	3
8A1405	3
8A2233	3
8A2234	1
8A2258	1
8A2290	1
8A2296	1
8A2317	1
8A2354	1
8A4028	1.5'
8A4048	1
8Z0530	1

9.67



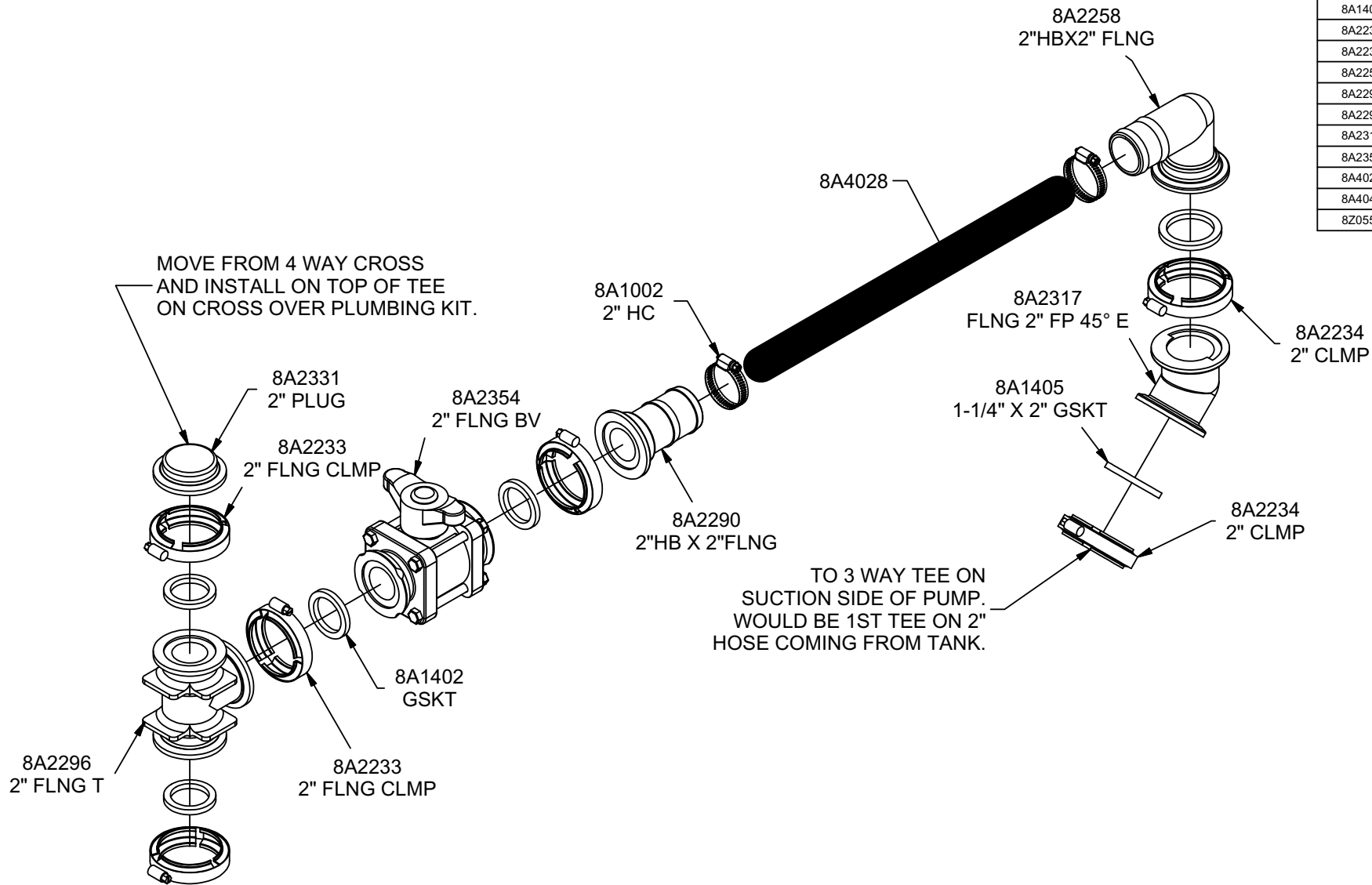
11/10/2008

8S9936/CROSS OVER PLMBNG VALV E

CROSS OVER PLUMBING PACKAGE VALVE R

PN	QTY
8A1002	2
8A1402	2
8A1405	2
8A2233	2
8A2234	2
8A2258	1
8A2290	1
8A2296	1
8A2317	1
8A2354	1
8A4028	1.5'
8A4048	1
8Z0550	1

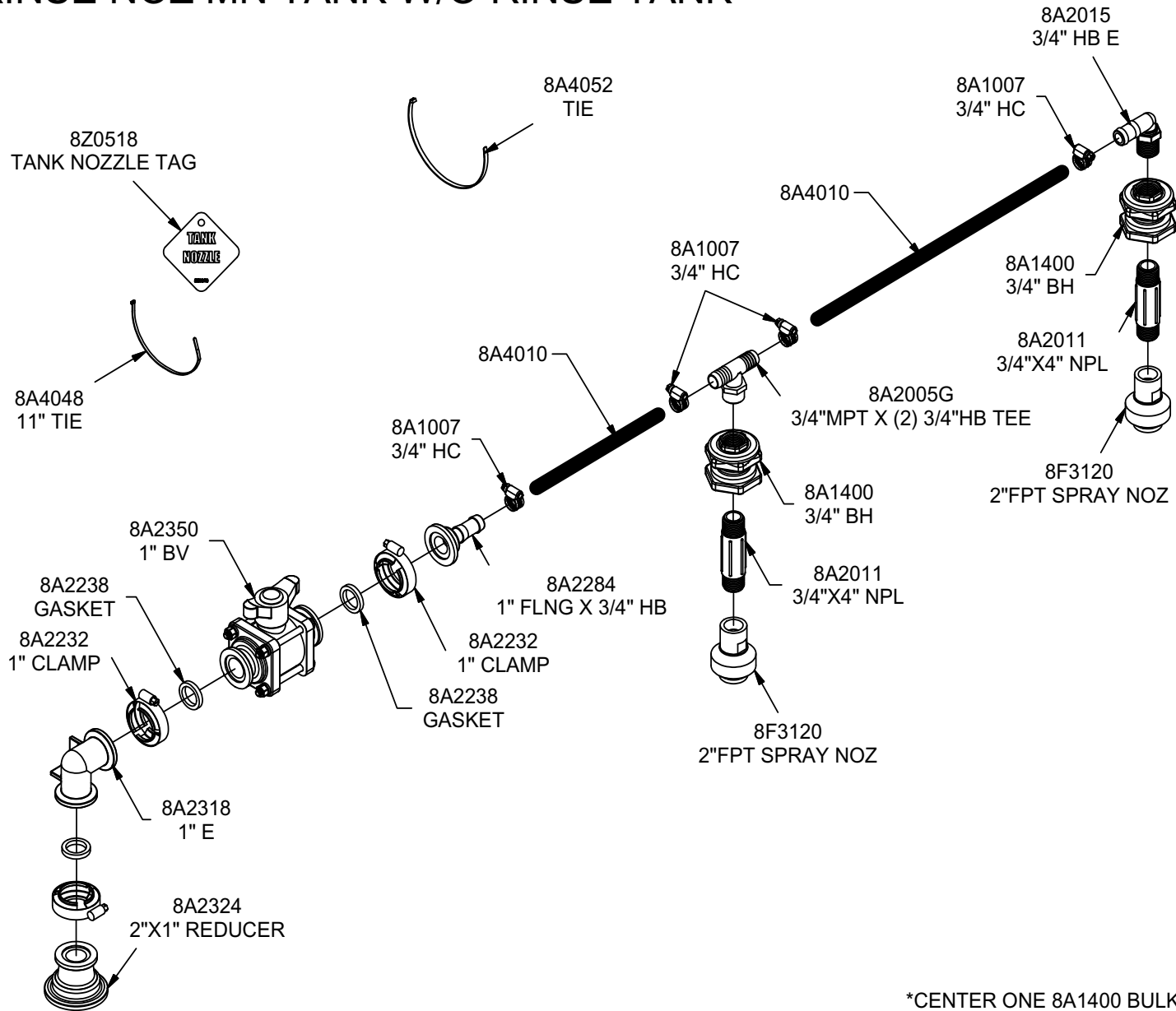
89'6



11/10/2008

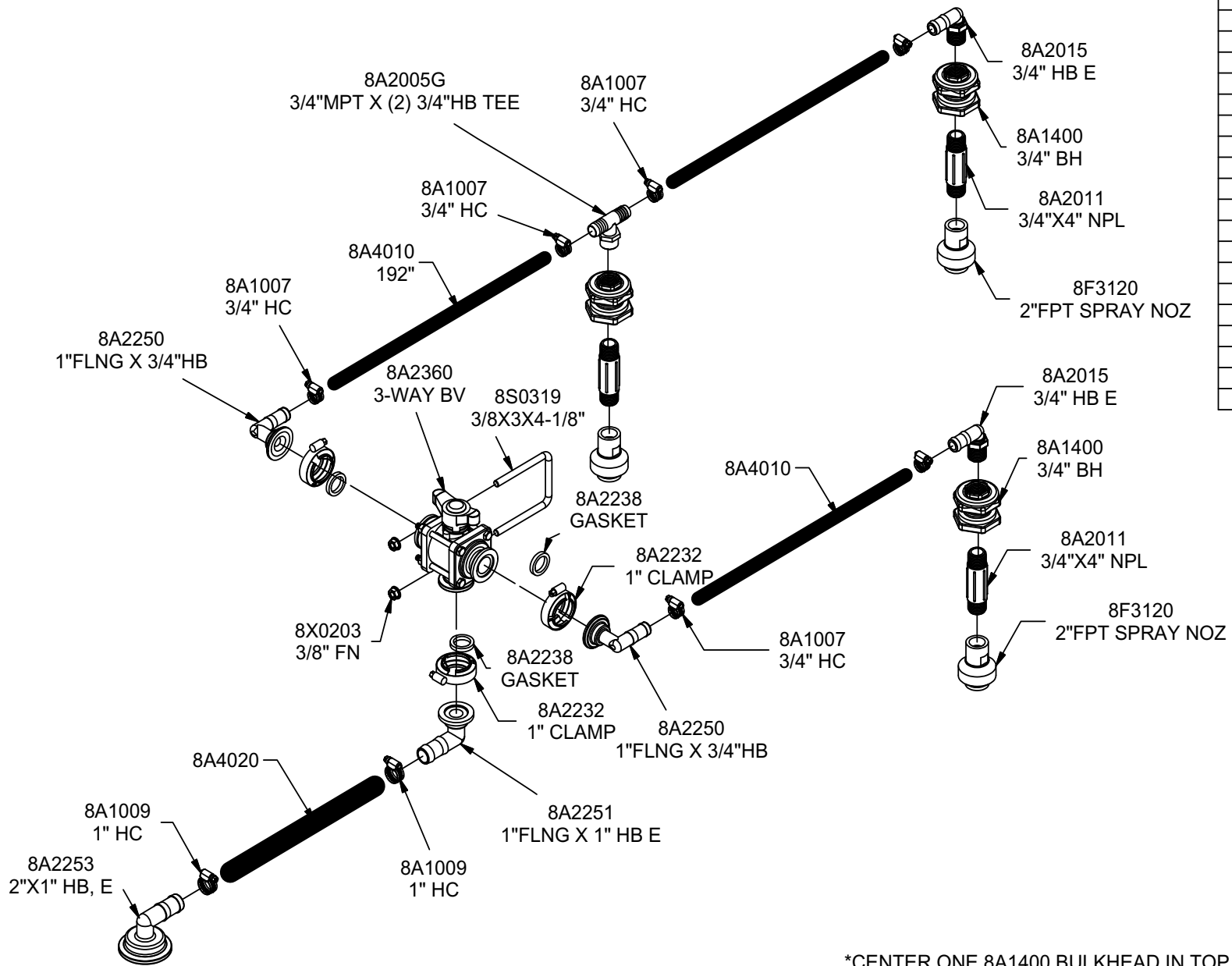
8S9936/CROSS OVER PLMBG VALVE R

RINSE NOZ MN TANK W/O RINSE TANK



PN	QTY
8A1007	4
8A1400	2
8A2005G	1
8A2011	2
8A2015	1
8A2232	3
8A2238	3
8A2284	1
8A2318	1
8A2324	1
8A2350	1
8A4010	16'
8A4048	1
8A4052	4
8F3120	2
8Z0518	1

*CENTER ONE 8A1400 BULKHEAD IN TOP OF TANK
8" BEHIND CENTER TANK HOOP AND ON
AHEAD OF FILL WELL SLIGHTLY RIGHT OF CENTER.

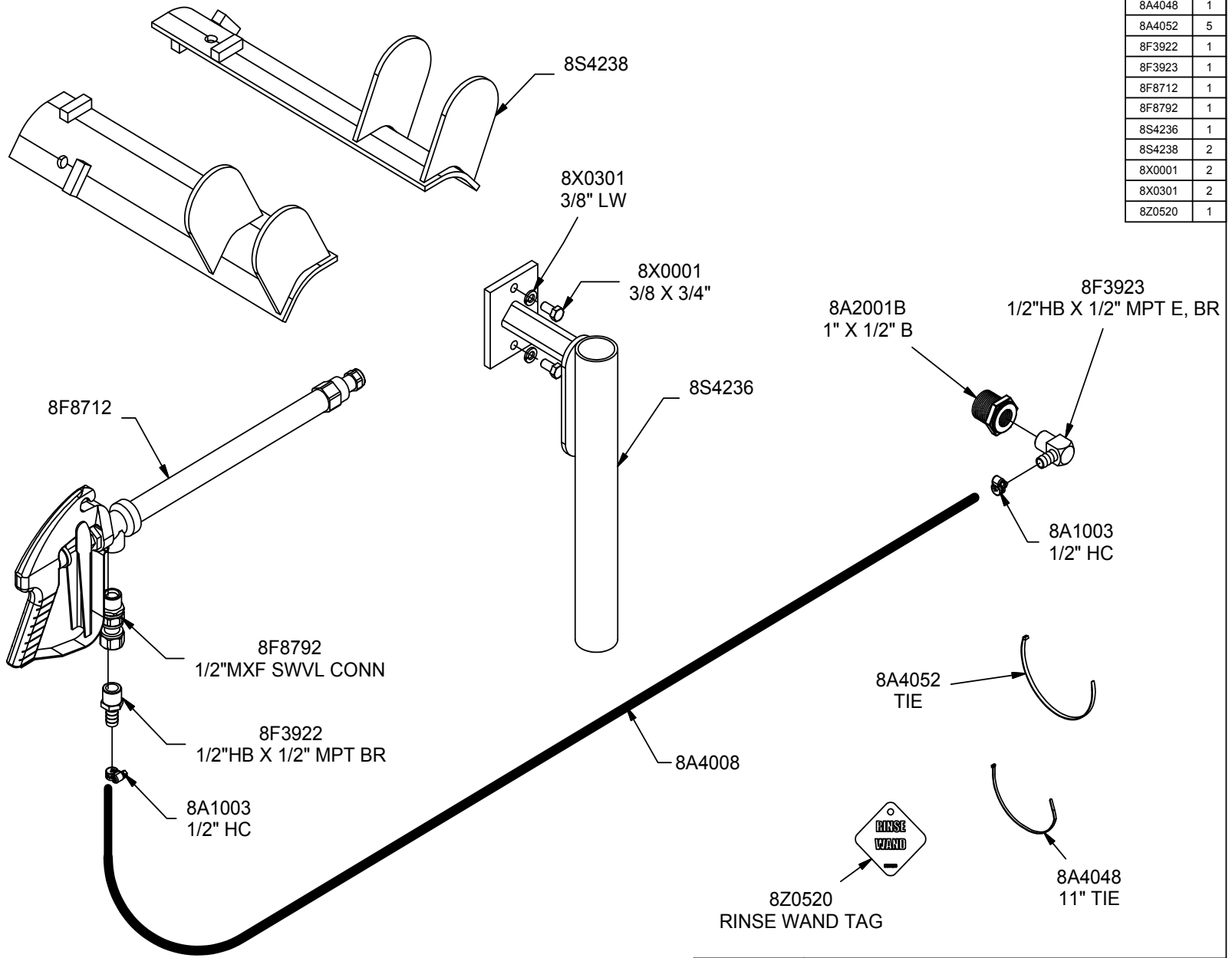


PN	QTY
8A1007	6
8A1009	2
8A1400	3
8A2005G	1
8A2011	3
8A2015	2
8A2232	3
8A2238	3
8A2250	2
8A2251	1
8A2253	1
8A2360	1
8A4010	19.67'
8A4020	3.33'
8A4048	2
8A4052	4
8F3120	3
8S0319	1
8X0203	2
8Z0518	1

*CENTER ONE 8A1400 BULKHEAD IN TOP OF TANK
8" BEHIND CENTER TANK HOOP AND ONE
AHEAD OF FILL WELL SLIGHTLY RIGHT OF CENTER.

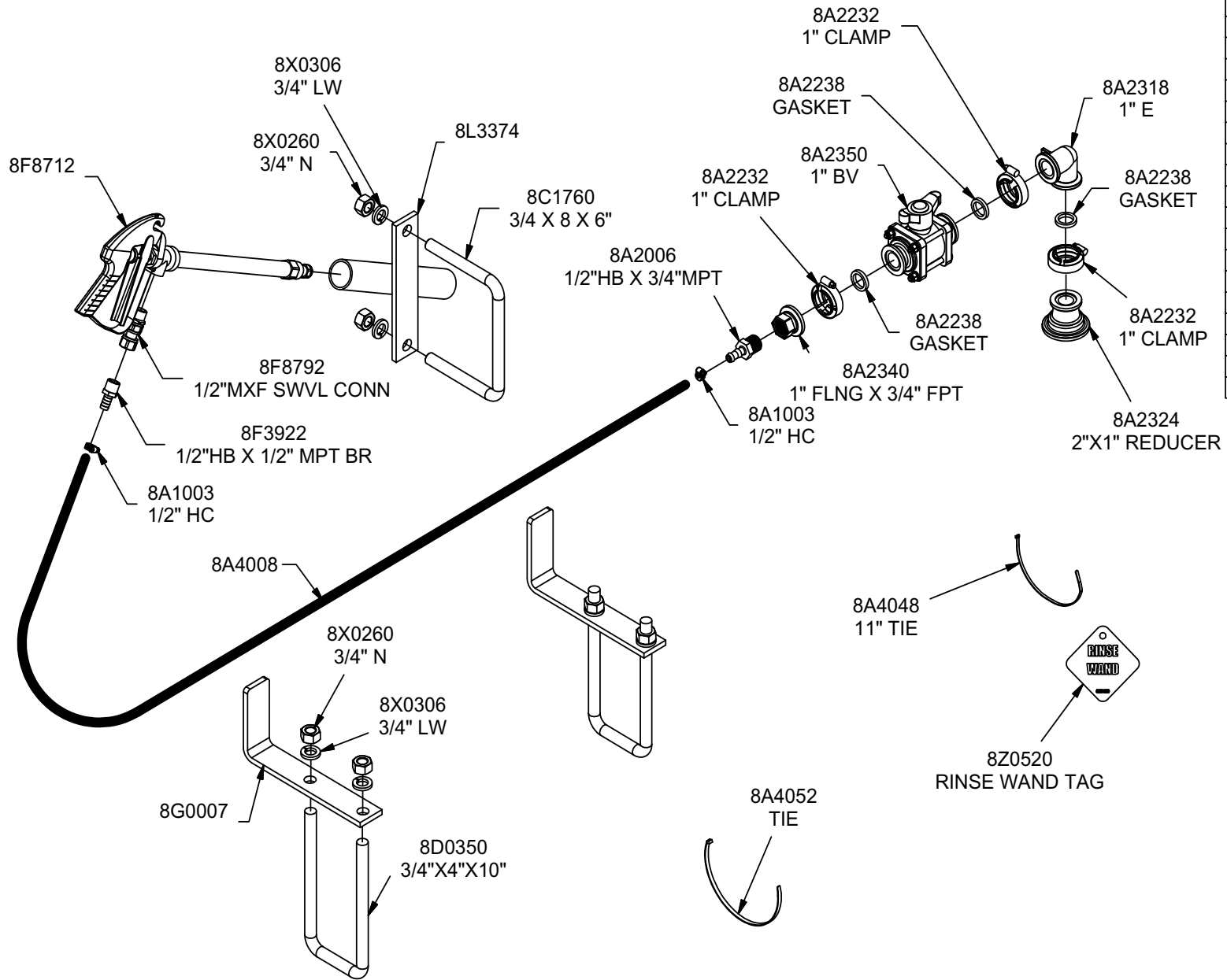
WASH WAND PACKAGE

PN	QTY
8A1003	2
8A2001B	1
8A4008	80'
8A4048	1
8A4052	5
8F3922	1
8F3923	1
8F8712	1
8F8792	1
8S4236	1
8S4238	2
8X0001	2
8X0301	2
8Z0520	1



9.71

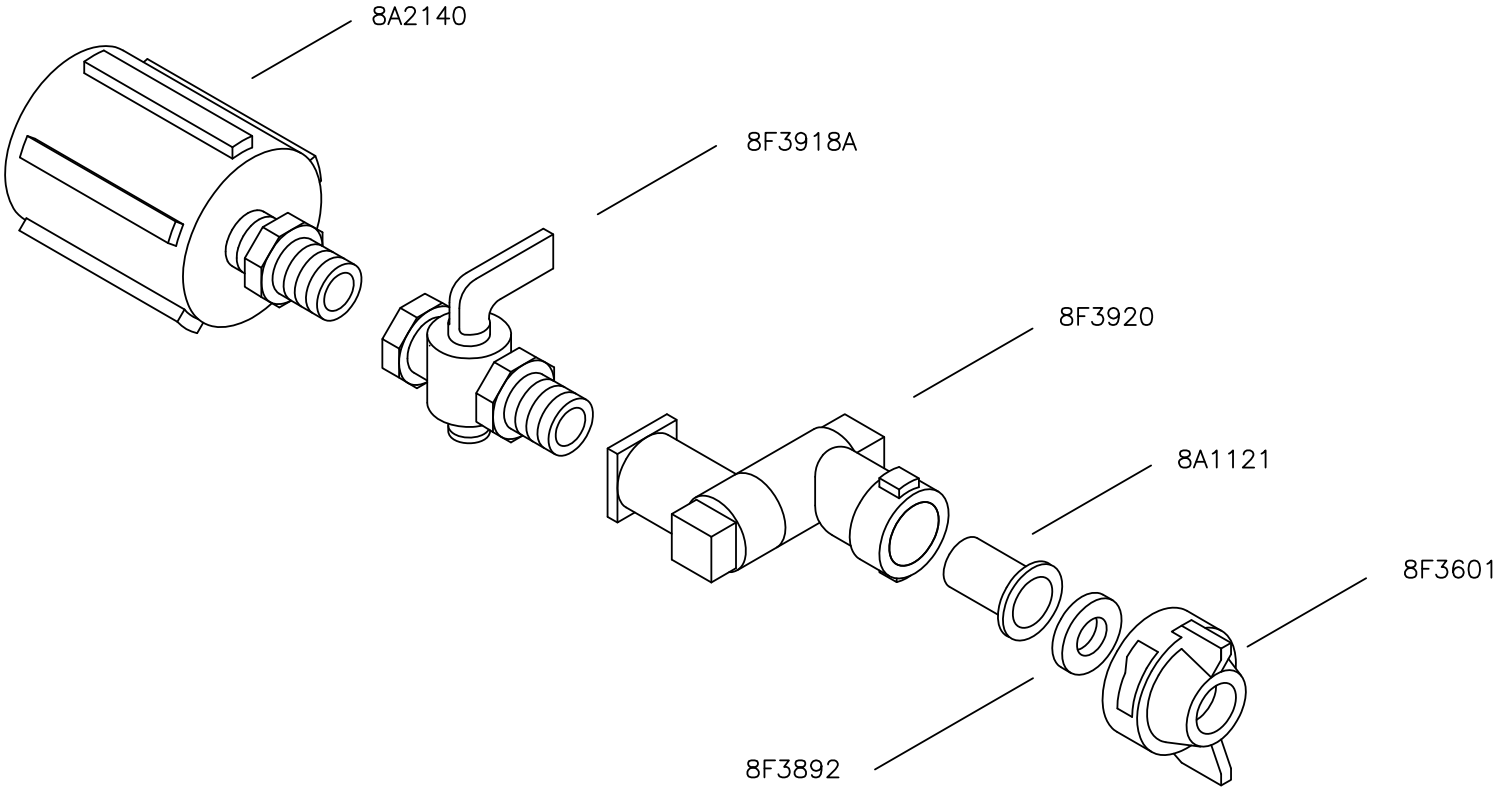
WASH WAND PACKAGE WO / TANK



PN	QTY
8A1003	2
8A2006	1
8A2232	3
8A2238	3
8A2318	1
8A2324	1
8A2340	1
8A2350	1
8A4008	80'
8A4048	1
8A4052	5
8C1760	1
8D0350	2
8F3922	1
8F8712	1
8F8792	1
8G0007	2
8L3374	1
8X0260	6
8X0306	6
8Z0520	1

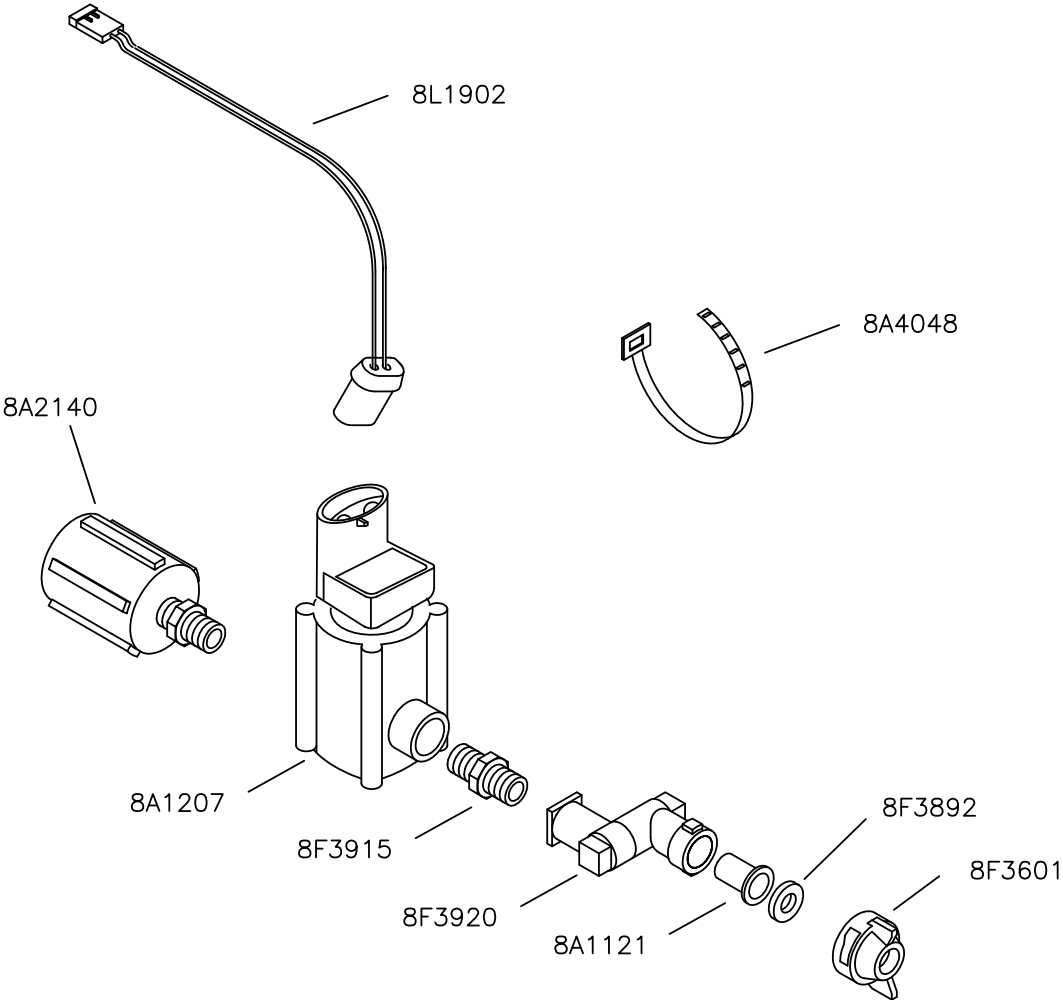
9.72

MANUAL END NOZZLE



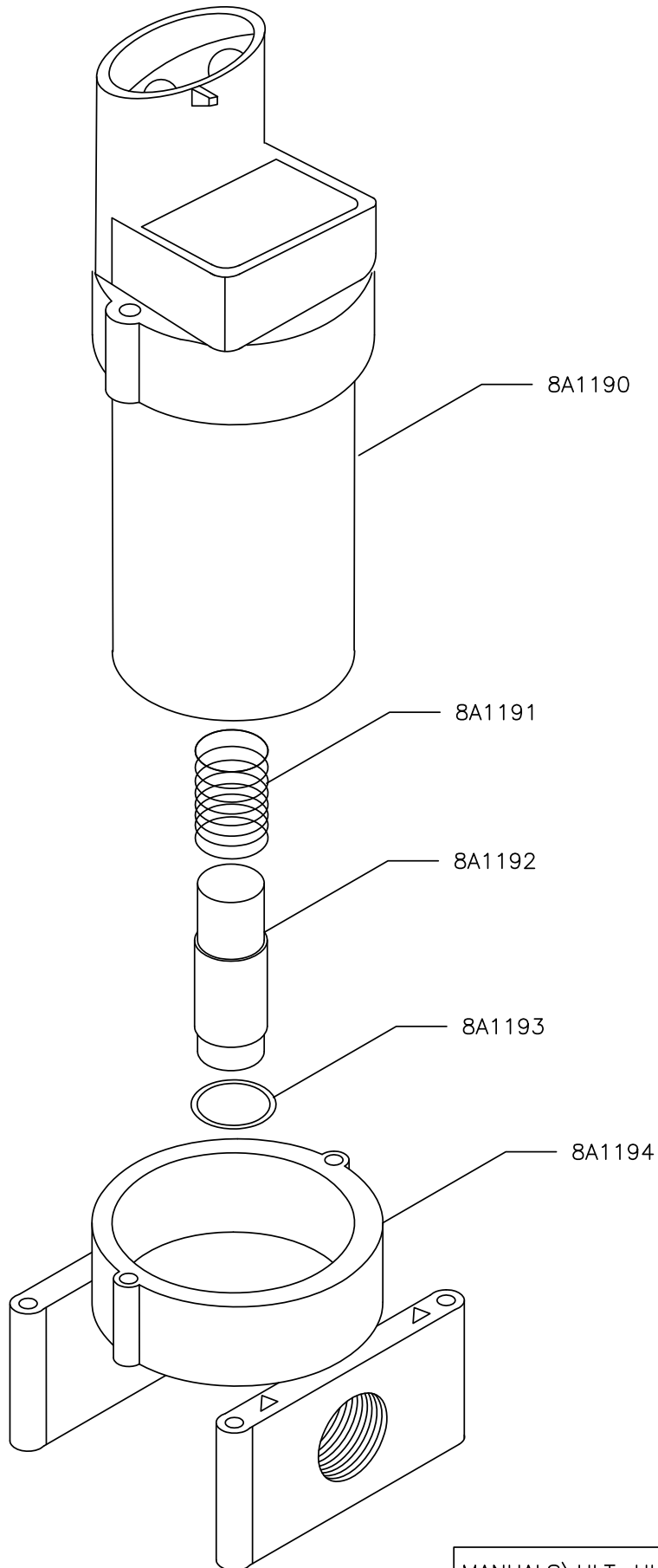
9.73

ELECTRIC END NOZZLE

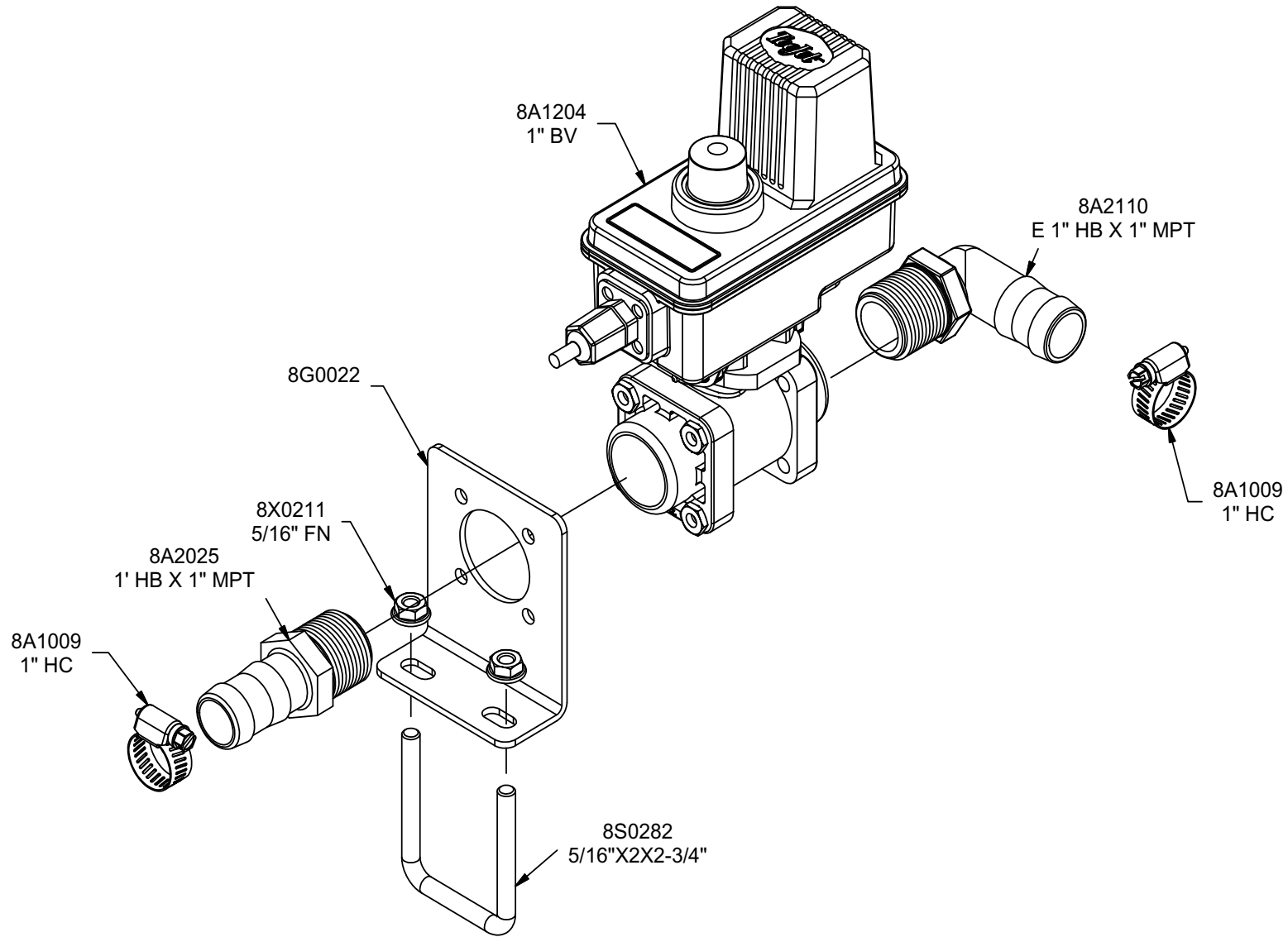


9.74

ELECTRIC END NOZZLE SOLENOID

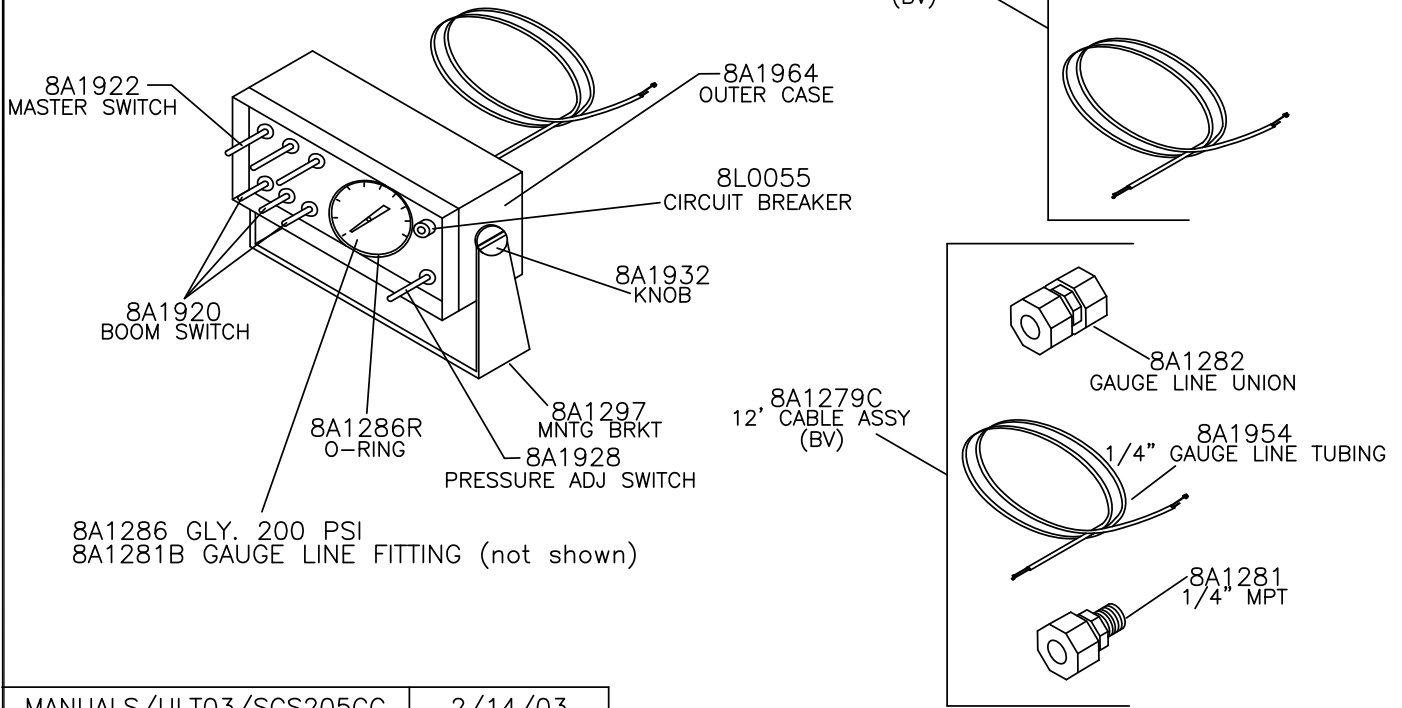


9.76



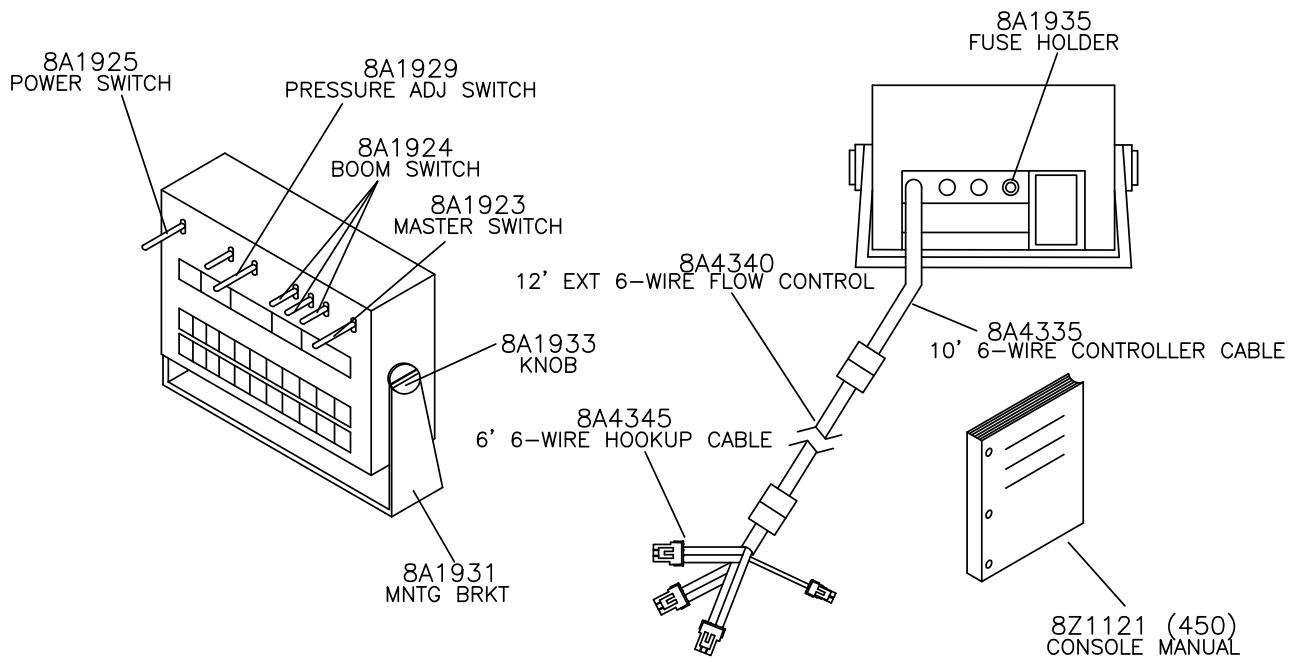
PN	QTY
8A1009	2
8A1204	1
8A2025	1
8A2110	1
8A4020	4'
8G0022	1
8S0282	1
8X0211	2

SCS-205 CONTROL CONSOLE



MANUALS/ULT03/SCS205CC 2/14/03

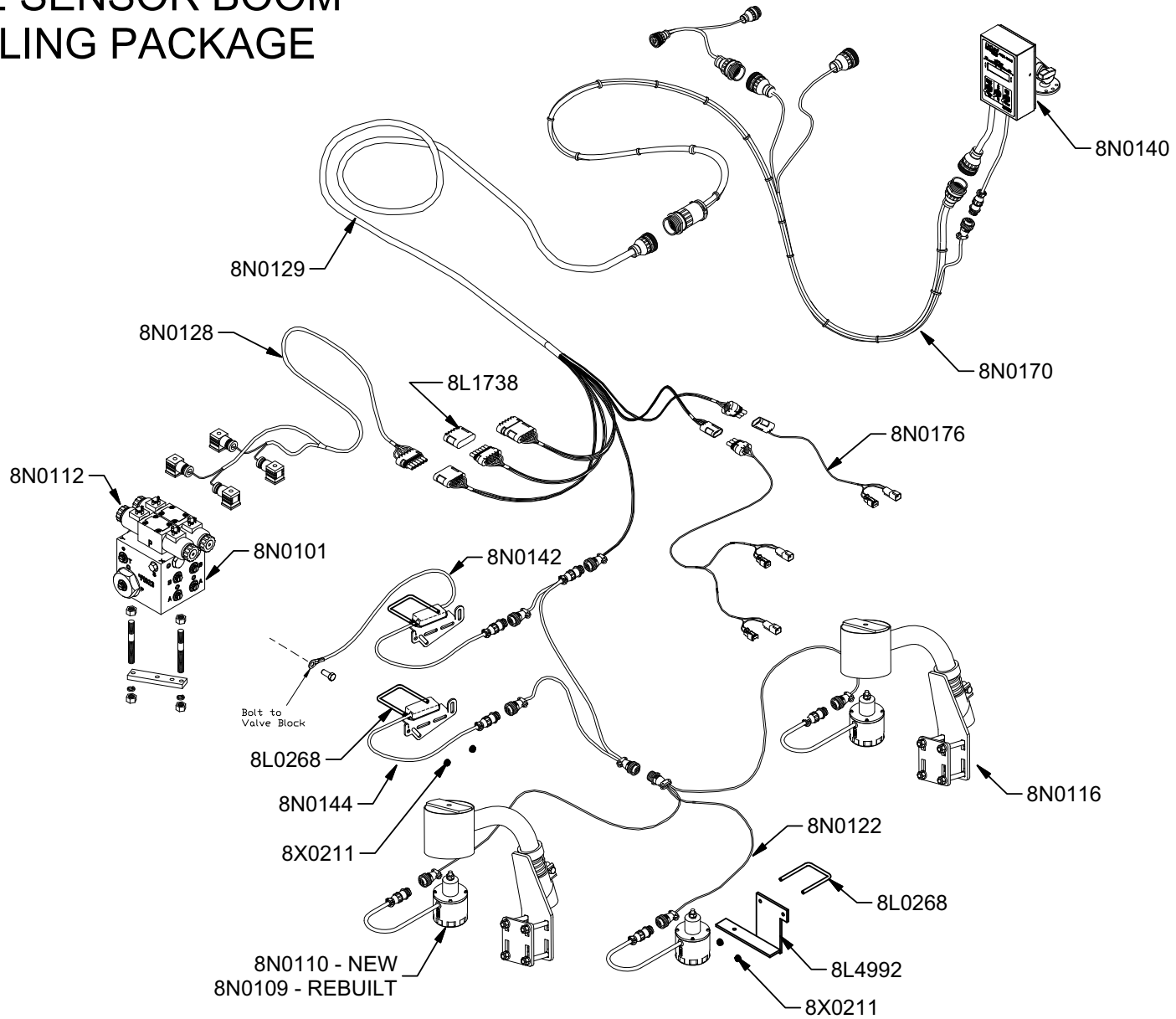
SCS-450 CONTROL CONSOLE



4/17/07

8L1919 - BALL VALVE ONLY HARNESS TO CENTER

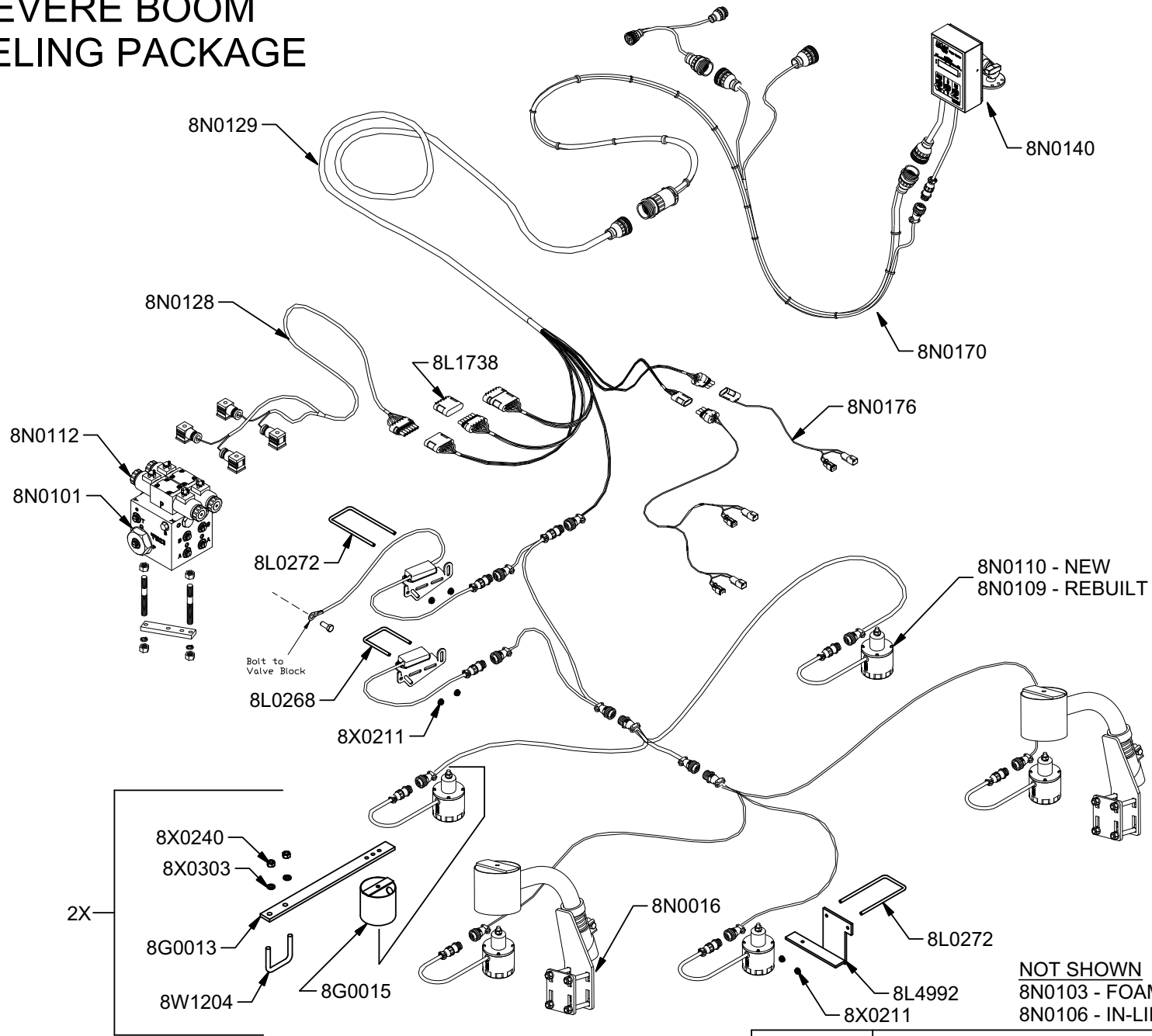
THREE SENSOR BOOM LEVELING PACKAGE



9.78

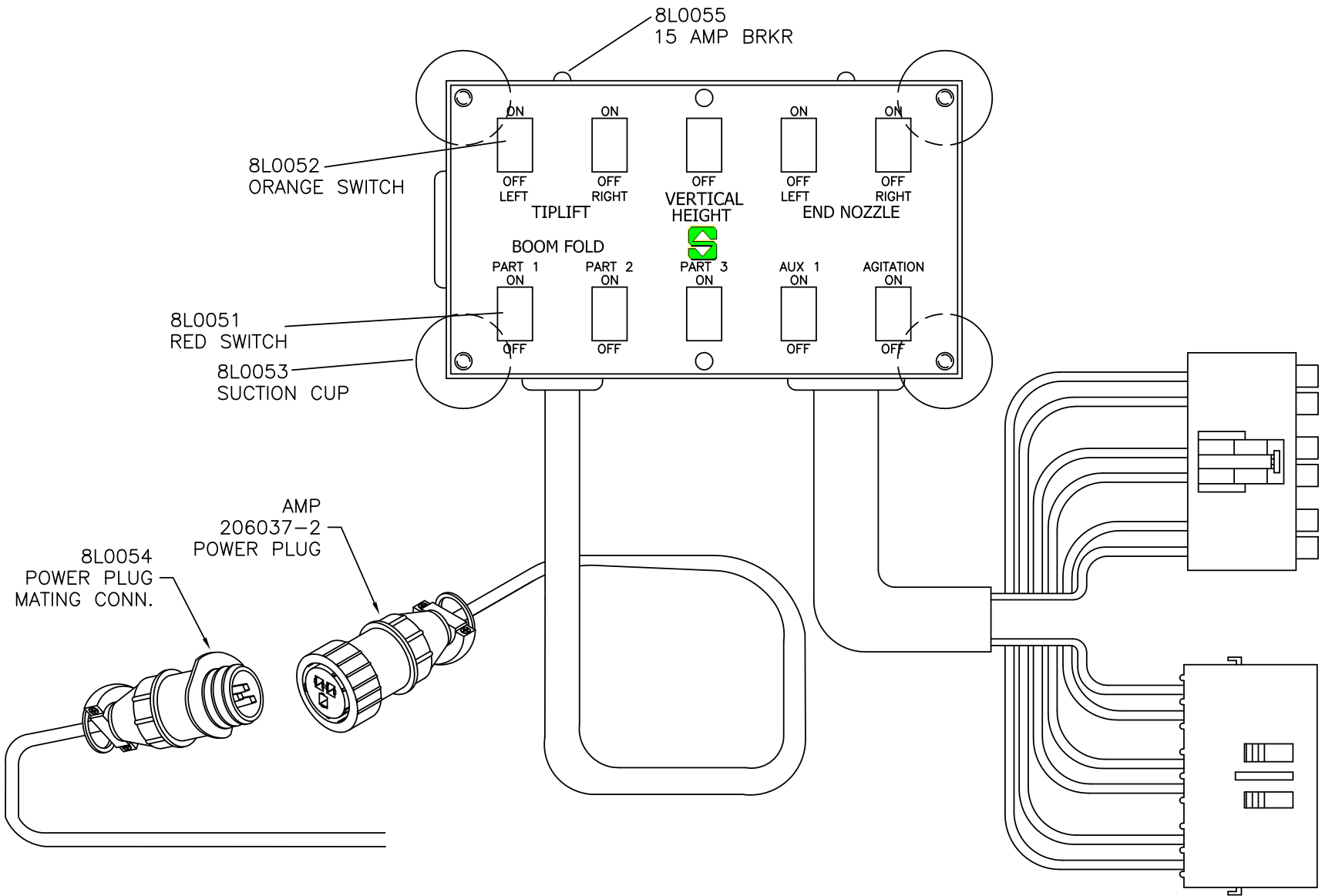
NOT SHOWN
8N0103 - FOAM SENSOR DISC
8N0106 - IN-LINE HYD. FILTER

SEVERE BOOM LEVELING PACKAGE

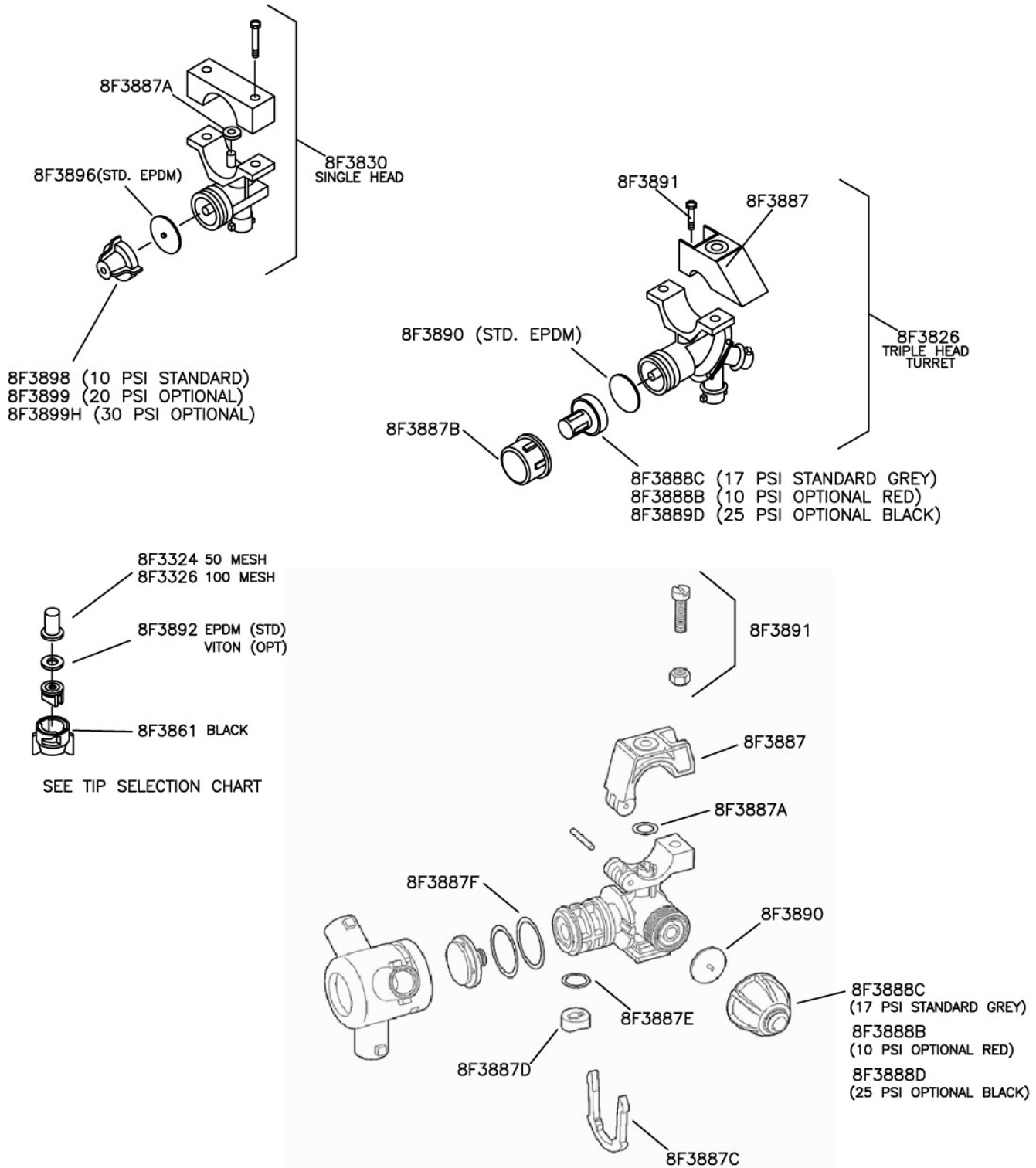


NOT SHOWN
8N0103 - FOAM SENSOR DISC
8N0106 - IN-LINE HYD. FILTER

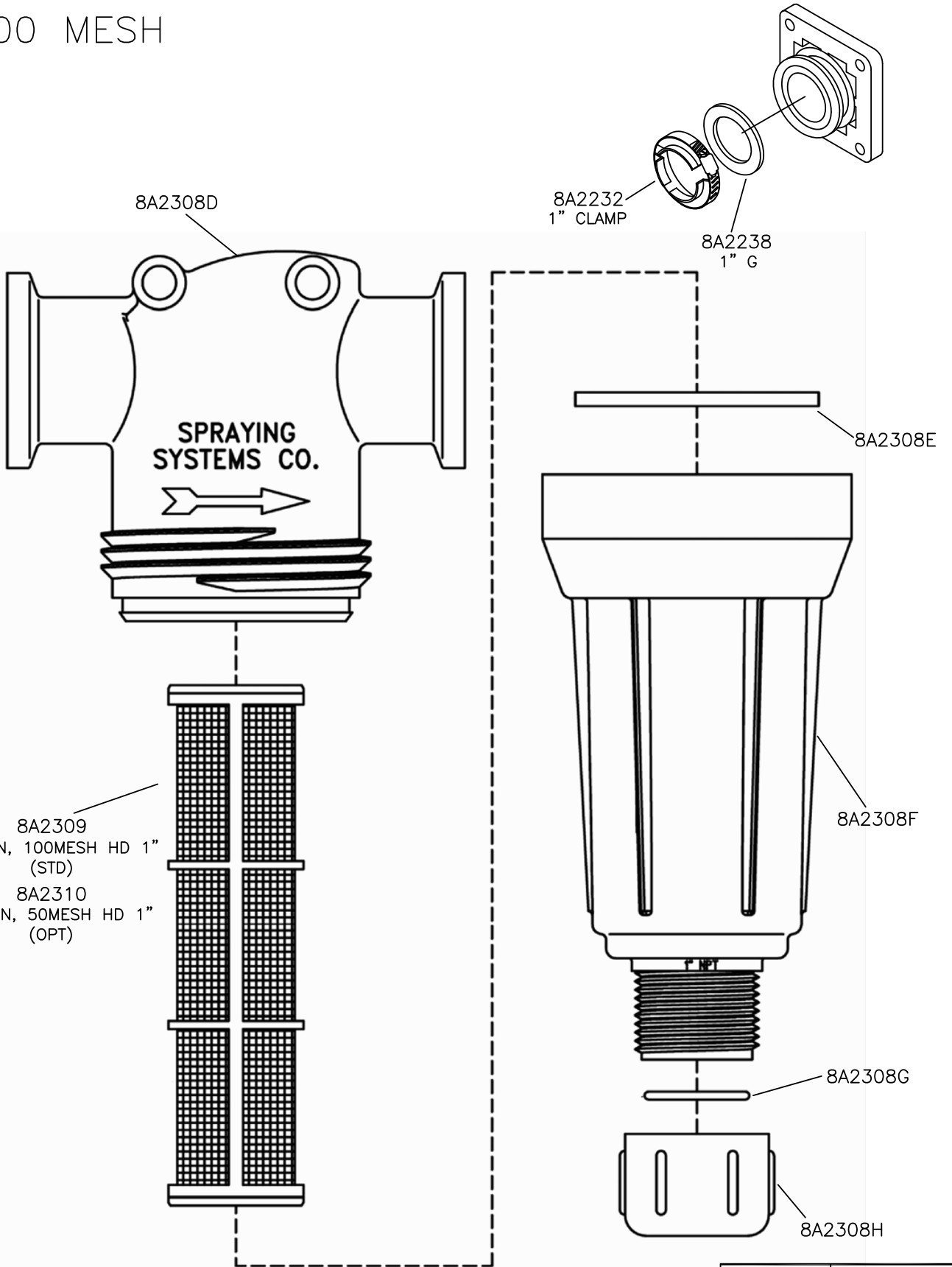
08'6



TEEJET AND SWIVEL-JET STYLE COMPONENTS



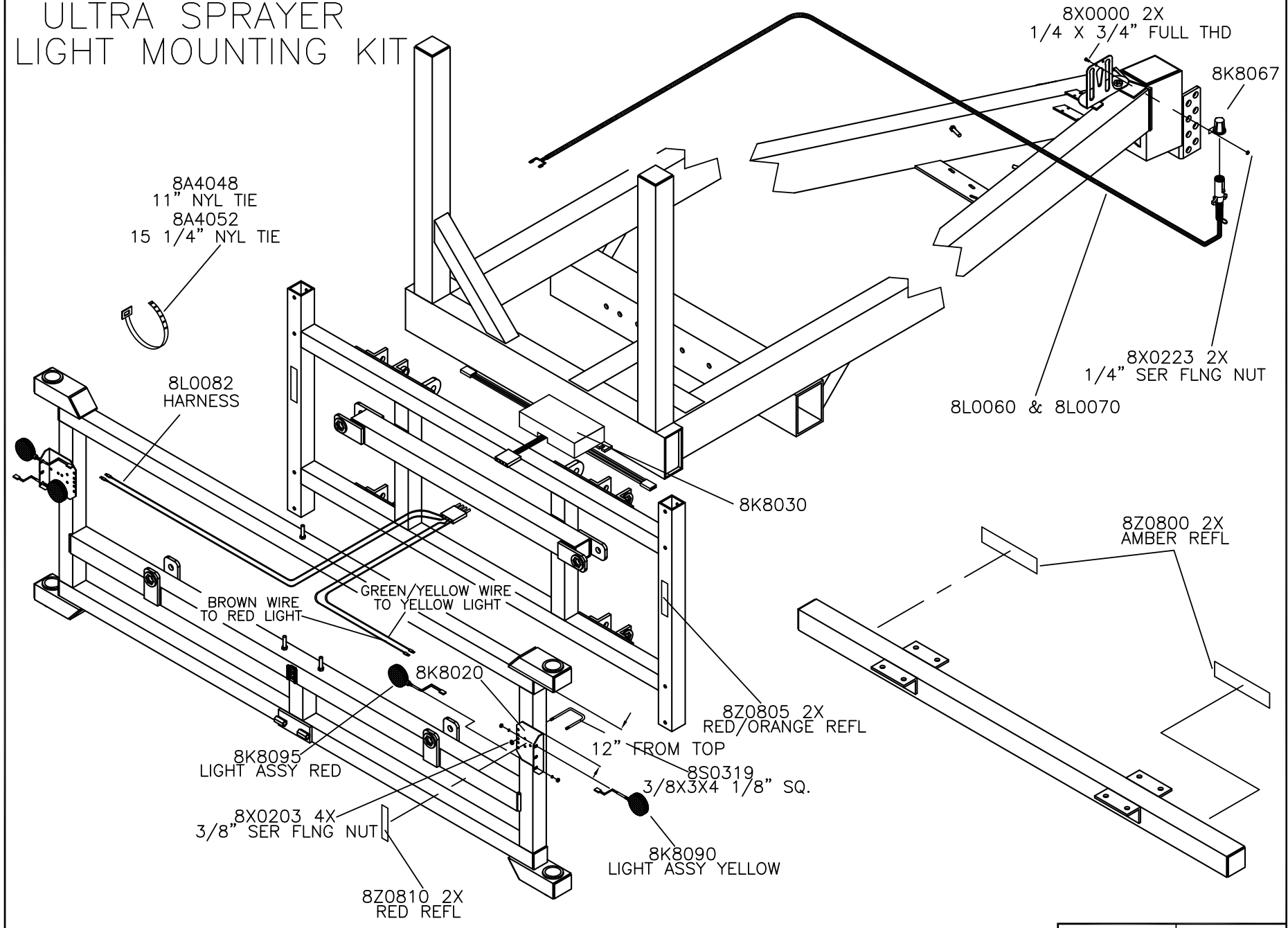
SPRAYING SYSTEMS BOOM LINE STRAINER PKG 100 MESH



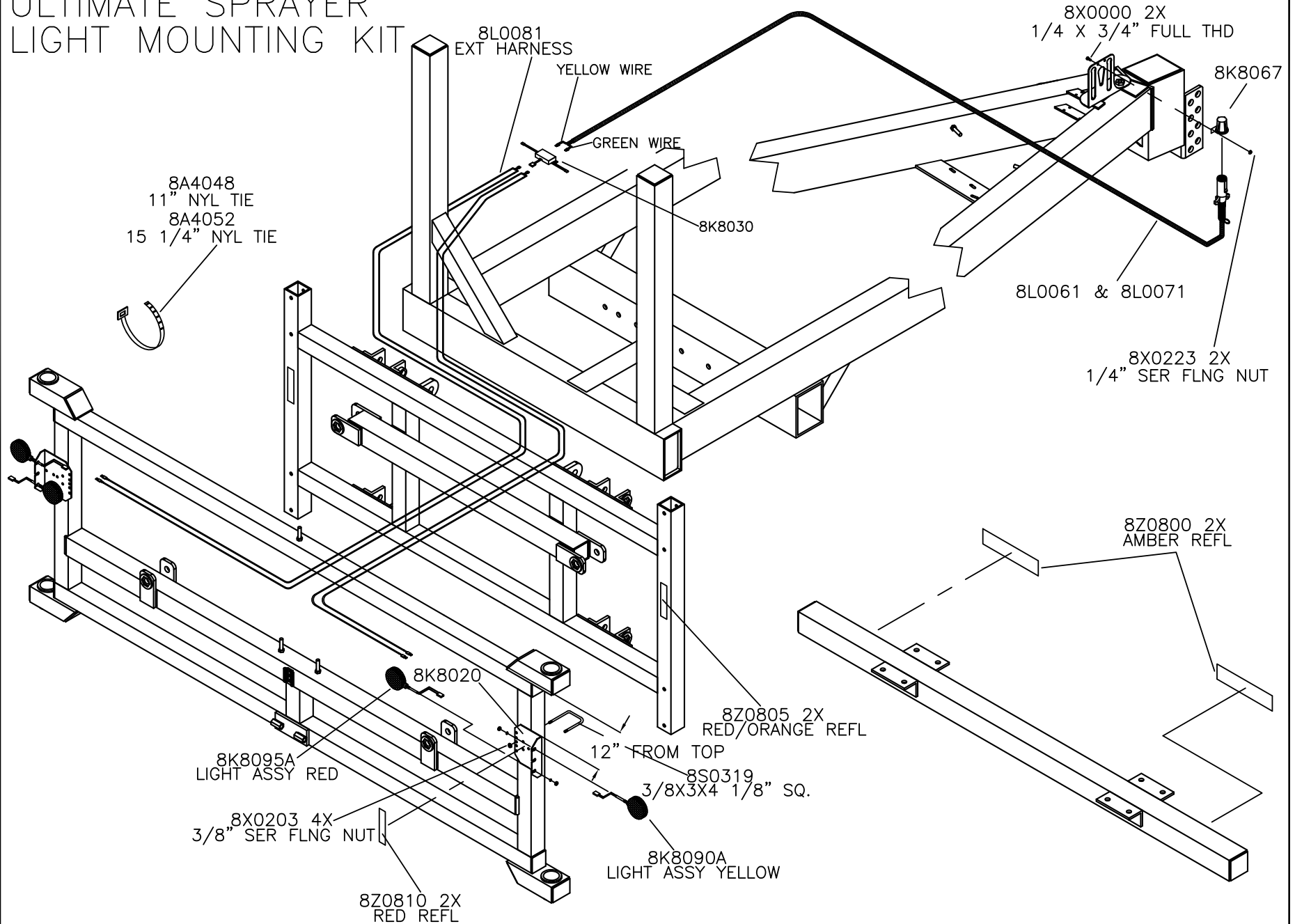
8S8716	5/5/04
--------	--------

ULTRA SPRAYER LIGHT MOUNTING KIT

9.83

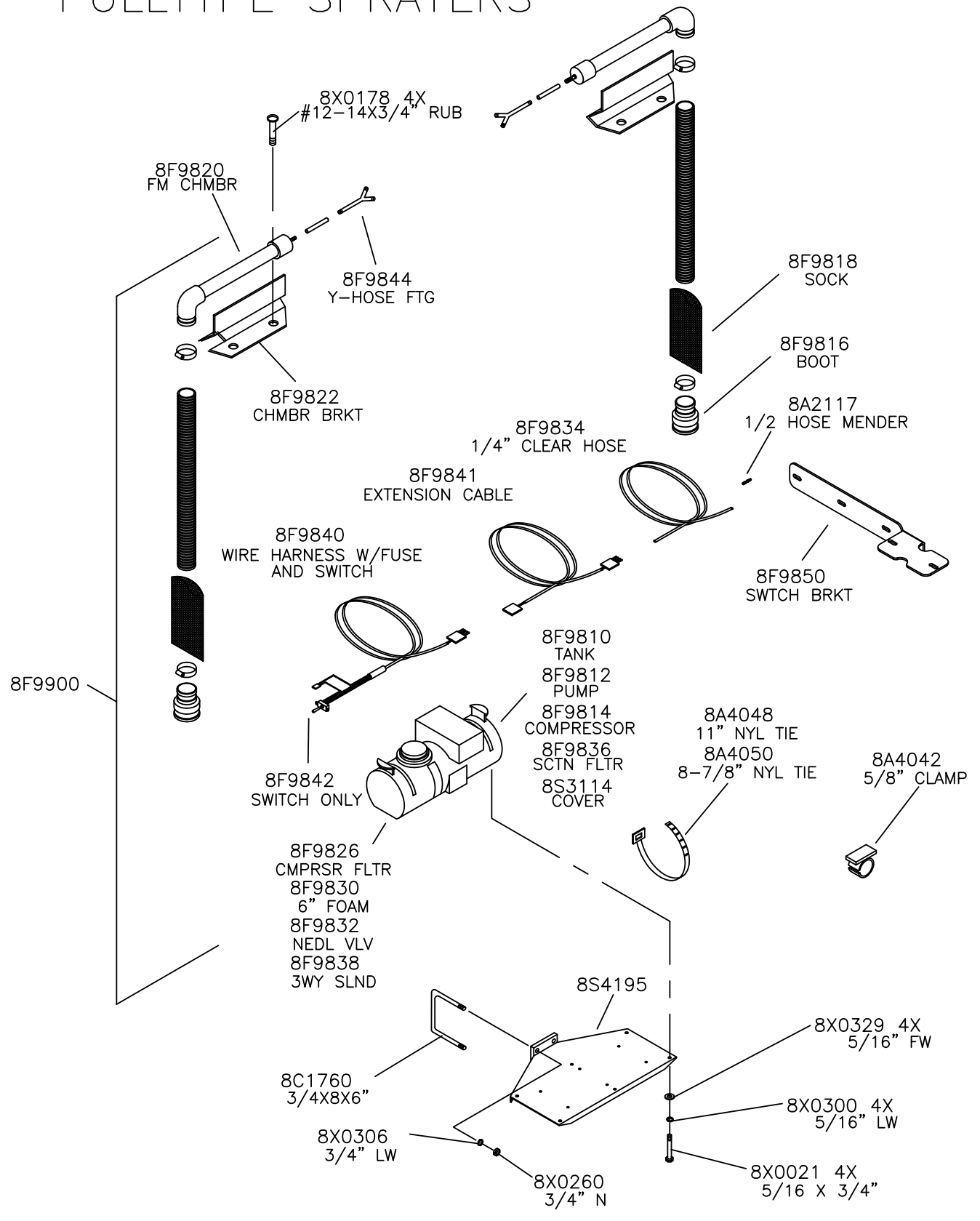


ULTIMATE SPRAYER LIGHT MOUNTING KIT



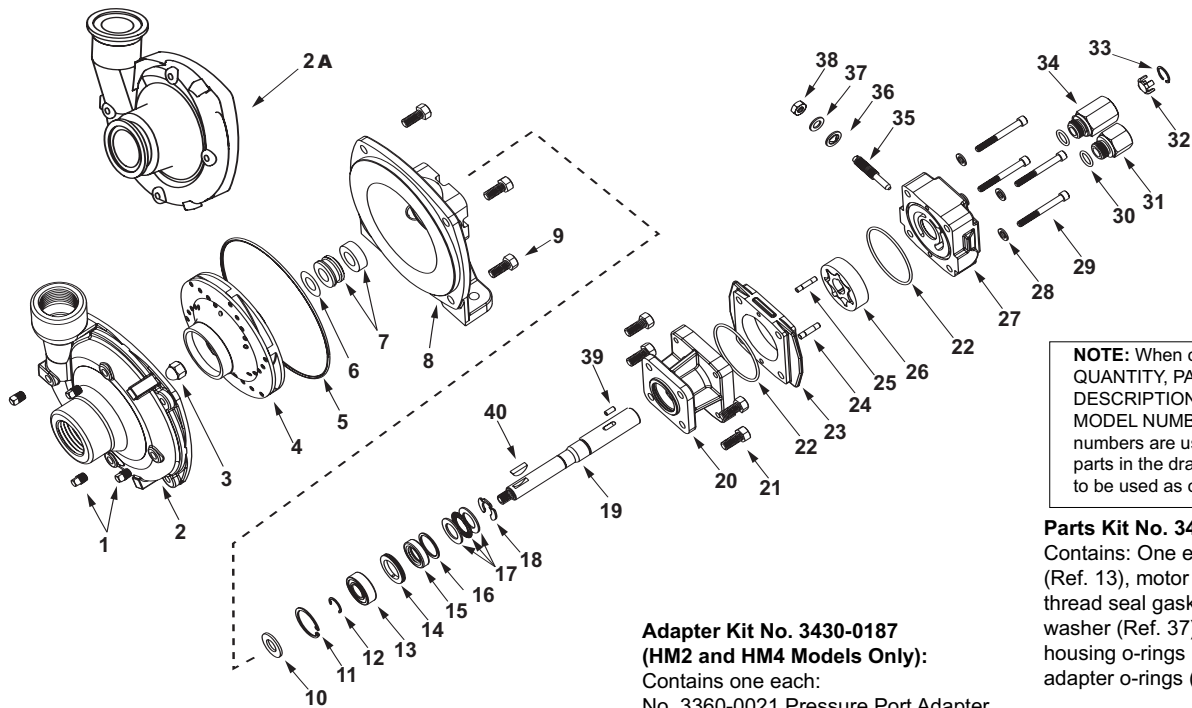
9.84

FOAM MARKER OPTION PULLTYPE SPRAYERS



8F9980 1000GAL ULT 2/12/04

All 9303C and 9303S Series Pumps



NOTE: When ordering parts, give QUANTITY, PART NUMBER, DESCRIPTION, and COMPLETE MODEL NUMBER. Reference numbers are used ONLY to identify parts in the drawing and are NOT to be used as order numbers.

Repair Parts Kit No. 3430-0332

Contains: One o-ring (Ref. 5), one rubber gasket (Ref. 6), and one mechanical seal (Ref. 7).

Silicon Seal Kit No. 3430-0589

Contains one each: 1720-0083 o-ring (Ref. 5) and one mechanical seal (silicon carbide) (Ref. 7).

Adapter Kit No. 3430-0187 (HM2 and HM4 Models Only):

Contains one each:
 No. 3360-0021 Pressure Port Adapter
 No. 3373-0020 (Size #1)
 No. 3373-0021 (Size #2)
 No. 3373-0022 (Size #3).
 No. 1720-0108 Adapter O-ring and
 No. 1720-0105 Orifice O-ring (Qty 3).

Parts Kit No. 3430-0178

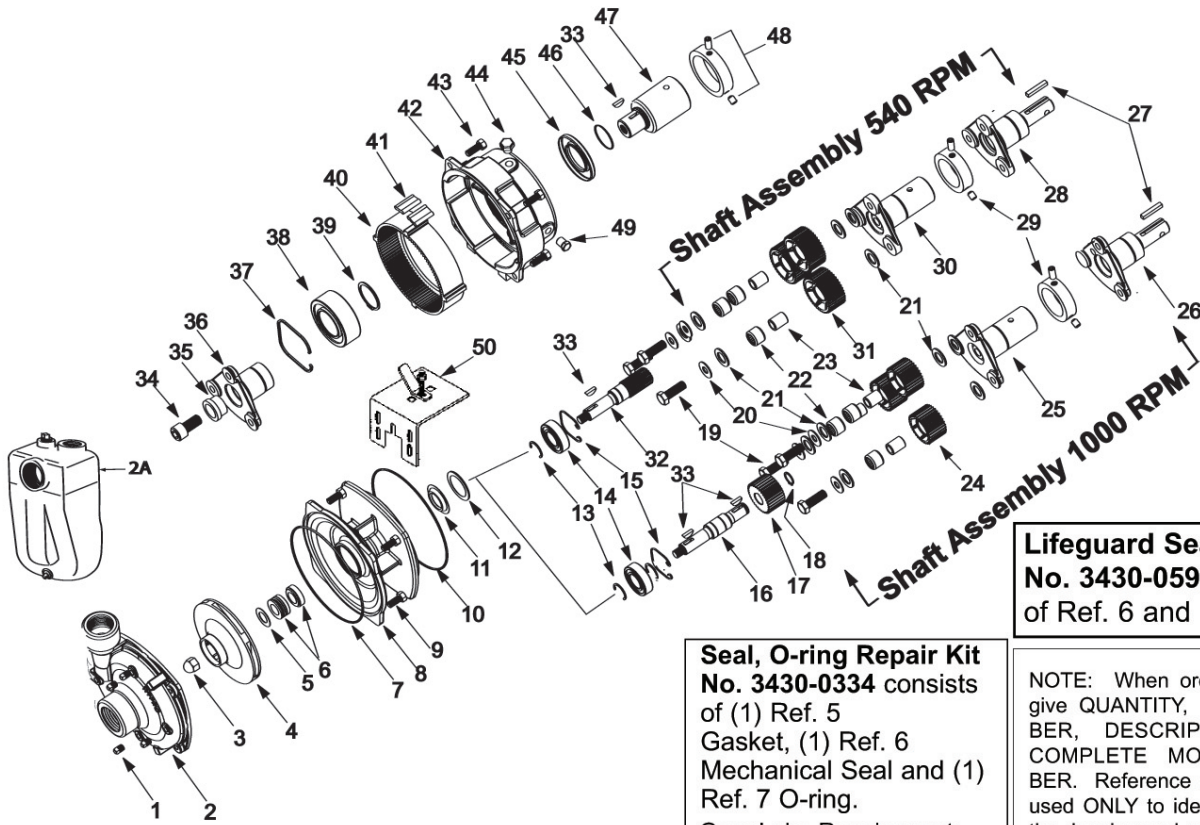
Contains: One each ball bearing (Ref. 13), motor shaft seal (Ref. 15), thread seal gasket (Ref. 36), and washer (Ref. 37); two each motor housing o-rings (Ref. 22), and port adapter o-rings (Ref. 30).

Hydraulic Motor Part Nos.

2500-0009C (HM1C Models)
 2500-0010C (HM2C Models)
 2500-0011C (HM3C Models)
 2500-0012C (HM4C Models)
 2500-0018C (HM5C Models)

Ref. No.	Qty. Req'd.	Part No.	Description
1	4	2406-0007	Drain/Vent Plug (9303C)
1	4	2406-0016	Drain/Vent Plug (9303S)
2	1	0150-9000C	Pump Casing (Model 9303C)
2	1	0150-9000S	Pump Casing (Model 9303S)
2A	1	0153-9000C	Pump Casing (Universal Flange)
3	1	2253-0002	Impeller Nut (9303C)
3	1	2253-0006	Impeller Nut (Model 9303S)
4	1	0401-9100P	Impeller (Nyglass, std.)(9303C)
4	1	0402-9100P	Impeller (Optional Polypropylene) (Std 9303S)
5	1	1720-0083	O-ring
6	1	1700-0100	Rubber Gasket (9303C)
7	1	2120-0009	Mechanical Seal (Viton) (Std 9303C)
7	1	3430-0589	Mechanical Seal (Silicon Carbide) (Std 9303S)
8	1	0750-9300C	Mounting Flange
8	1	0756-9300S	Mounting Flange (Model 9303S)
9	4	2210-0020	Hex Head Cap Screw (9303C)
9	4	2210-0125	Hex Head Cap Screw (Model 9303S)
10	1	1410-0056	Slinger Ring
11	1	1820-0013	Retaining Ring
12	1	1810-0014	Snap Ring
13	1	2000-0010	Ball Bearing
14	1	1410-0073	Spacer
15	1	2104-0005	Shaft Seal
16	1	1410-0074	Seal Spacer
17	1	2029-0014	Thrust Bearing Assembly—Consists of: (1) Thrust Bearing & (2) Thrust Brg. Races
18	1	1810-0026	Snap Ring
19	1	0509-2500	Shaft (HM2C & HM4C Models) 6-3/4" Long
19	1	0511-2501	Shaft (HM1C & HM5C Models) 7" Long
19	1	0510-2500	Shaft (HM3C Models) 7 - 1/2" Long
20	1	0151-2500C	Motor Body (Includes Main Bearing)
21	4	2210-0005	Hex Head Cap Screw
22	2	1720-0110	O-ring
23	1	0701-2500C1	Gerotor Housing (HM2C Models) 1/4" Wide

Ref. No.	Qty. Req'd.	Part No.	Description
23	1	0700-2500C1	Gerotor Housing (HM1C Models) 1/2" Wide
23	1	0703-2500C1	Gerotor Housing (HM4C Models) 5/16" Wide
23	1	0702-2500C1	Gerotor Housing (HM3C Models) 1" Wide
23	1	0704-2500C1	Gerotor Housing (HM5C Models) 5/8" Wide
24	1	1600-0045	Dowel Pin (HM2C & HM4C Models)
24	1	1600-0044	Dowel Pin (HM1C & HM5C Models)
24	1	1600-0052	Dowel Pin (HM3C Models)
25	1	1600-0042	Dowel Pin (HM2C & HM4C Models)
25	1	1600-0037	Dowel Pin (HM1C & HM5C Models)
25	1	1600-0068	Dowel Pin (HM3C Models)
26	1	3900-0022	Gerotor (HM1C Models)
26	1	3900-0023	Gerotor (HM2C Models)
26	1	3900-0024	Gerotor (HM3C Models)
26	1	3900-0025	Gerotor (HM4C Models)
26	1	3900-0048	Gerotor (HM5C Models)
27	1	0251-2500C2	Motor End Plate (Includes Main Bearing)
28	4	2270-0039	Washer
29	4	2220-0045	Cap Screw (HM2C & HM4C Models)
29	4	2220-0021	Cap Screw (HM1C)
29	4	2220-0044	Cap Screw (HM3C Models)
29	4	2220-0032	Cap Screw (HM5C)
30	2	1720-0108	O-ring
31	1	3360-0021	Pressure Port Adapter
32	1	3260-0068	Poppet
33	1	1820-0038	Retaining Ring
34	1	3320-0049	Tank Port Adapter
35	1	3220-0029	Bypass Adjusting Screw
36	1	1700-0047	Gasket
37	1	2270-0027	Washer
38	1	2250-0038	Lock Nut
39	1	1610-0032	Roll Pin (HM2C & HM4C Models)
39	1	1610-0031	Roll Pin (HM1C & HM5C Models)
39	1	1610-0055	Roll Pin (HM3C)
40	1	1610-0012	Woodruff Key (9303C)
40	1	04432	S.S. Woodruff Key (Model 9303S)



Lifeguard Seal Kit
No. 3430-0591 consists
of Ref. 6 and Ref. 7.

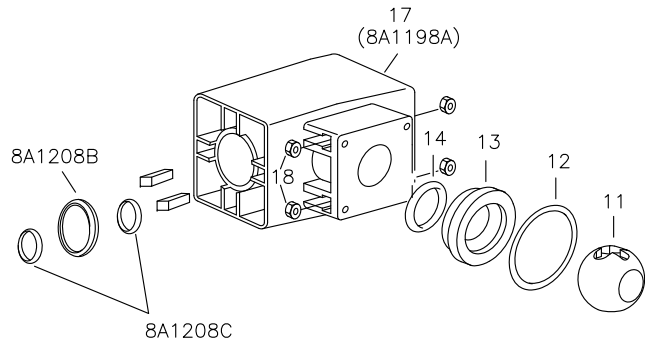
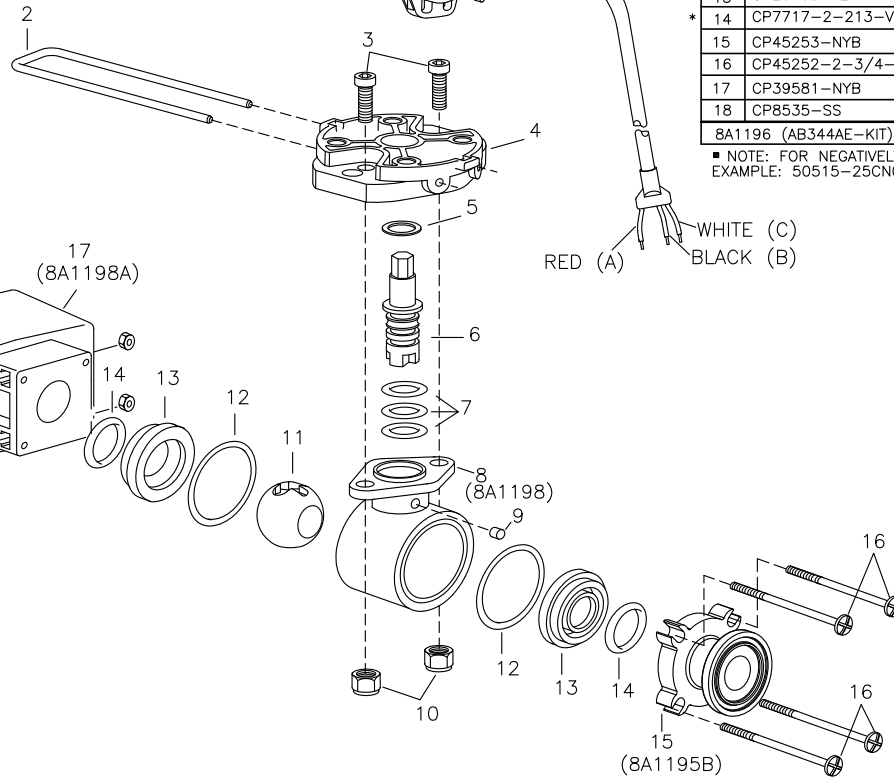
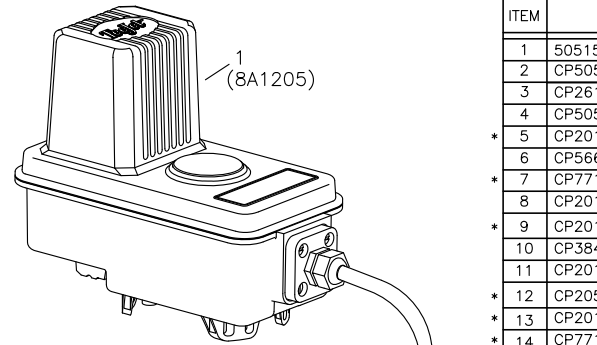
Seal, O-ring Repair Kit
No. 3430-0334 consists
of (1) Ref. 5
Gasket, (1) Ref. 6
Mechanical Seal and (1)
Ref. 7 O-ring.
Gear Lube Requirement:
Phillube SAE 80W90 Oil

NOTE: When ordering parts,
give QUANTITY, PART NUM-
BER, DESCRIPTION, and
COMPLETE MODEL NUM-
BER. Reference numbers are
used ONLY to identify parts in
the drawing and are NOT to be
used as order numbers.

Ref. No.	Qty. Req'd.	Part No.	Description
1	4	2406-0007	Drain Plug
2	1	0150-9000C	Pump Casing (w / SS wear ring)
2A	1	3430-0480SP	Pump Casing (Self-Priming Units)
3	1	2253-0001	Impeller Nut
4	1	0400-9000P	Impeller (Nylon)
5	1	1700-0101	Gasket
6	1	2120-0010	Mechanical Seal (Optional Buna-N)
6	1	2120-0011	Mechanical Seal (Standard Viton)
7	1	1720-0083	O-ring
8	1	0752-9000C	Mounting Flange Adapter
9	4	2210-0020	Hex Head Capscrew
10	1	1720-0139	O-ring
11	1	2130-0018	Bearing Lip Seal
12	1	1700-0098	Gasket
13	*	1810-0013	Retaining Ring — (1) required for 540 rpm, (2) for 1-3/8" and (3) for 1-3/4" 1000 rpm
14	1	2008-0001	Ball Bearing
15	1	1820-0025	Retaining Ring
15	3	2210-0046	Capscrew
16	1	0500-9002	Impeller Shaft (1000 rpm)
17	1	3900-0013	Sun Gear (1000 rpm)
18	1	1810-0011	Retaining Ring (1000 rpm)
19	3	2210-0046	Hex Head Capscrew
20	3	2270-0003	Washer
21	6	2265-0003	Thrust Washer
22	3	2007-0052	Bearing (included with driver gear)
23	3	2007-0022	Bearing Inner Race
24	3	3900-0040	Driver Gear w/Bearing (1000 rpm) 32 teeth, Dia. 2.13"

Ref. No.	Qty. Req'd.	Part No.	Description
25	1	0562-9002D	Driver Hub (Model 9008C-O)
26	1	0501-9018D	Driver Hub (Model 9018C-O)
27	1	1610-0005	Key
28	1	0501-9016D	Driver Hub (Model 9016C-O)
29	1	3435-0058	Locking Collar Kit (hollow shaft)
30	1	0562-9000D	Driver Hub (Model 9006C-O)
31	3	3900-0039	Driver Gear w/Bearing (540 rpm) 39 teeth, Dia. 2.6"
32	1	3900-0010	Impeller Shaft/Pinion Gear (540 rpm)
33	**	1610-0012	Woodruff Key ** (1) req'd for 540 rpm, (2) req'd for 1000 rpm models.
34	1	2220-0035	Capscrew (Model 9028C)
35	1	2403-0012	Bushing (Model 9028C)
36	1	0501-9018D1	Driver Hub (Model 9028C)
37	1	1800-0014	Retaining Ring
38	1	2005-0002	Ball Bearing
39	1	1810-0001	Retaining Ring
40	1	3900-0009	Ring Gear
41	8	1450-0004	Cushion Bumper
42	1	0754-9000C	Gear Casing
43	4	2210-0026	Hex Head Capscrew
44	1	2404-0193	Breather Vent
45	1	2102-0025	Oil Seal
46	1	1720-0022	O-ring
47	1	0550-1322F4	Driver Hub (9028C) 1-3/4" Hub 20 Teeth
48	1	3430-0190	Locking Collar Kit (Model 9028C)
49	4	2406-0019	Oil Plug
50	1	1520-0034	Mounting Clip

60'-110' ULTIMATE AND ELECTRIC AGITATOR SHUTOFF



ITEM	BANJO PART NO.	DESCRIPTION
1	50515-25CP05	BEC MOTOR, 25-RPM (0.6-SEC), 0.5-METER CABLE, POSITIVELY SWITCHED
2	CP50517-SSPV	RETAINING CLIP, 304 STAINLESS STEEL
3	CP26197-7/8-SS	SOCKET HEAD CAP SCREW, STAINLESS STEEL (2 REQ'D)
4	CP50514-PP	MOTOR ADAPTER, POLYPROPYLENE (BLACK)
* 5	CP20125-TEF	THRUST WASHER, TEFLON
6	CP56613-SS	STEM, 303 STAINLESS STEEL (FOR POLYPROPYLENE BALL)
* 7	CP7717-M12X2.5-VI	O-RING, VITON (3 REQ'D)
8	CP20101-NYB	BODY, NYLON (BLACK) (2-WAY)
* 9	CP20126-FELT	DUST PLUG, FELT
10	CP38435-1/4-SSNY	ELASTIC LOCKNUT, STAINLESS STEEL (2 REQ'D)
11	CP20106-1-PP	BALL, POLYPROPYLENE (WHITE) (2-WAY)
* 12	CP20564-VI	GASKET, VITON (2 REQ'D)
* 13	CP20103-TEF	SEAL, TEFLON (2 REQ'D)
* 14	CP7717-2-213-VI	O-RING, VITON (2 REQ'D)
15	CP45253-NYB	#50 FLANGED END CAP, NYLON (BLACK)
16	CP45252-2-3/4-SSPV	PAN HEAD SCREW, STAINLESS STEEL (4 REQ'D)
17	CP39581-NYB	MANIFOLD BODY, NYLON
18	CP8535-SS	HEX NUT, STAINLESS STEEL (6 REQ'D)

8A1196 (AB344AE-KIT), SPARE PARTS KIT (INCLUDES ALL ITEMS MARKED WITH *)

* NOTE: FOR NEGATIVELY SWITCHED MOTORS SPECIFY "N" RATHER THAN "P" IN MOTOR PART NUMBER
EXAMPLE: 50515-25CN05

MANIFOLD VALVE REPLACEMENT PARTS

063-0171-926 (1 Section) - Rev. A or Higher*

063-0171-928 (3 Section) - Rev. A or Higher*

063-0172-039 (5 Section - Not Shown) - Rev. A or Higher*

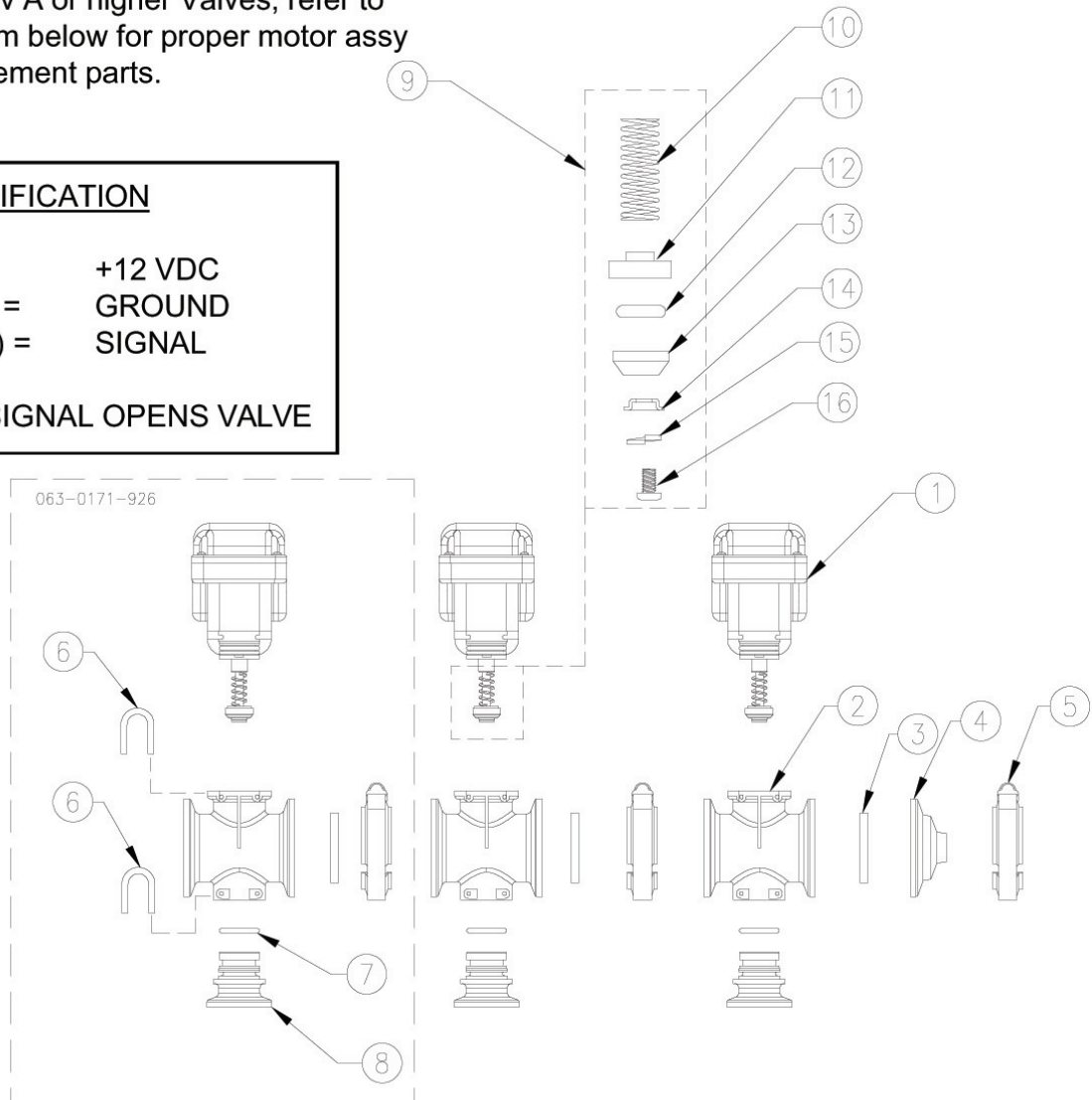
ITEM	DESCRIPTION	RAVEN PART #	SMC PART #
1	Motor Assembly*	063-0172-330	8A1600A
2	Body	106-0159-522	8A1600B
3	Gasket	219-0000-097	8A1402
4	End Plate	106-0159-524	8A2331A
5	Clamp, V-Band	435-3003-038	8A2233
6	Clip	107-0171-327	
7	O-Ring	219-0002-214	8A1600C
8	Outlet	106-0159-523	8A1600D
9	Kit, Plunger Seat	117-0159-906	8A1600E
10	Spring	314-0000-011	
11	Seat Retainer	106-0159-534	
12	O-Ring	219-0002-010	
13	Plunger Seat, Recessed	219-0000-121	
14	Washer, Recessed	107-0171-464	
15	Washer, Split Lock, #8	313-1000-011	
16	Screw, #8-32 x 3/8"	311-0007-045	

* **NOTE:** For Rev A or higher Valves, refer to diagram below for proper motor assy replacement parts.

WIRING SPECIFICATION

RED (PIN A) = +12 VDC
 WHITE (PIN B) = GROUND
 BLACK (PIN C) = SIGNAL

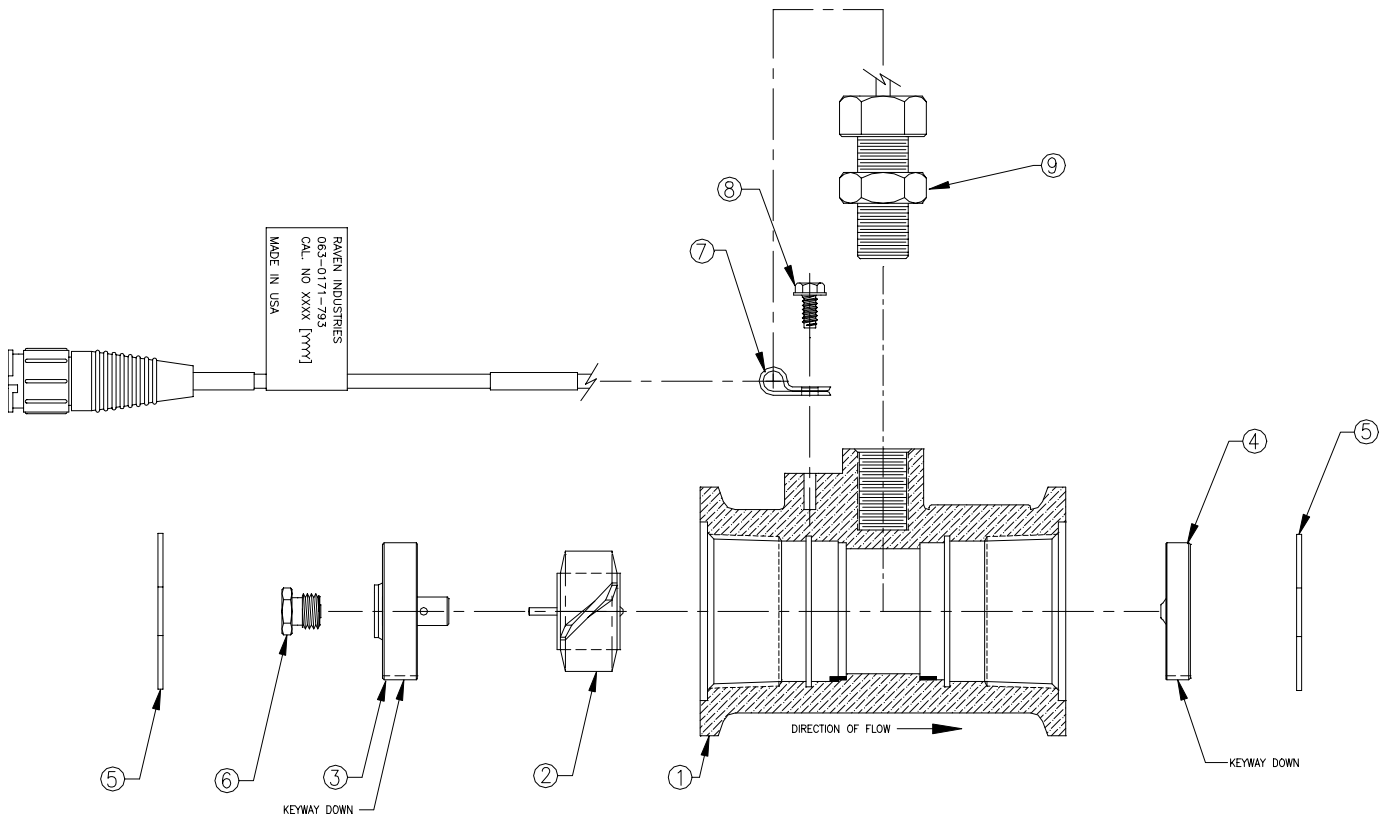
+12 VDC ON SIGNAL OPENS VALVE



RFM 60 P FLOWMETER REPLACEMENT PARTS

063-0171-793

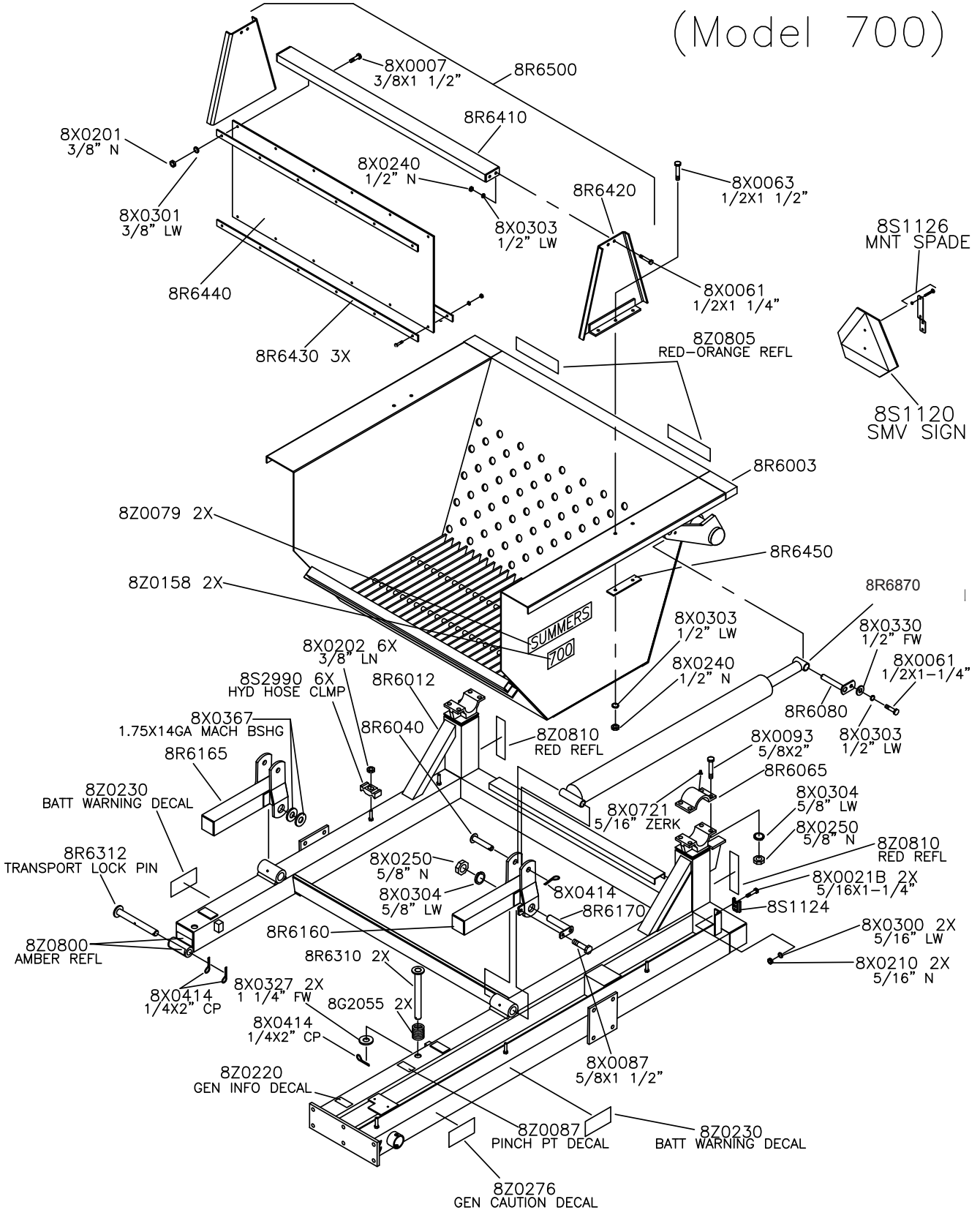
ITEM	DESCRIPTION	RAVEN PART #
1	Body, RFM 60 P Flowmeter	106-0159-514
2	Rotor/Magnet Assembly	063-0171-673
3	Hub/Bearing Assy, Upstream	063-0171-674
4	Hub assembly, Downstream	063-0171-769
5	Ring, Retaining, Internal	335-0000-278
6	Stud Bearing	063-0159-570
7	Clamp, Cable	435-3002-017
8	Screw, Thread Forming	310-0002-137
9	Sensor, assembly, External	063-0171-669



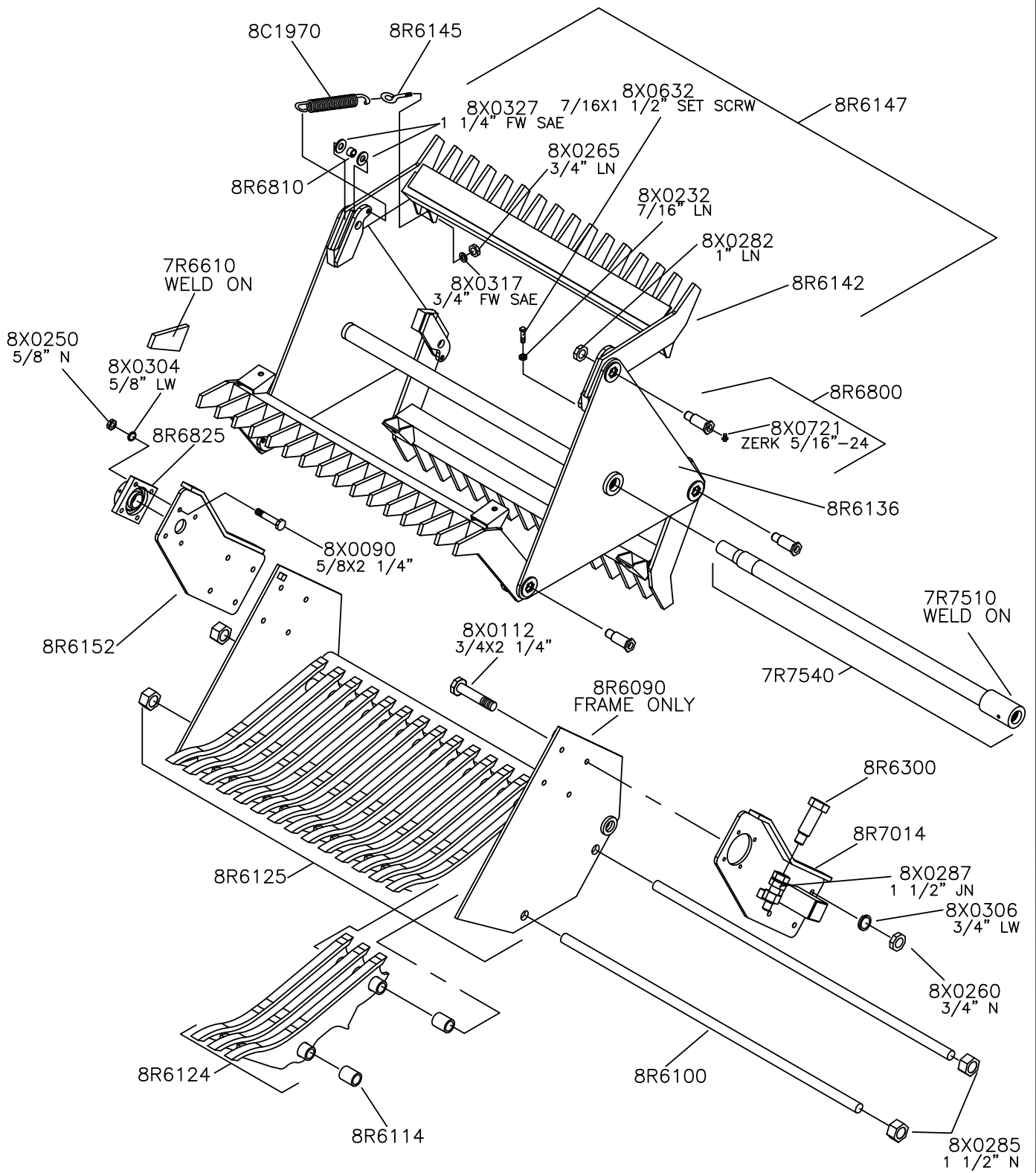
ROCK PICKER

Main Frame	10.1
Rake & Reel Assembly	10.2
Hydraulic Drive System	10.3
Hydraulic Dump System	10.4
Electric Solenoid Lift	10.5
Hydraulic Swing Hitch	10.6
Wheel & Tire Assembly	10.7
Hydraulic Cylinder Breakdown	10.8

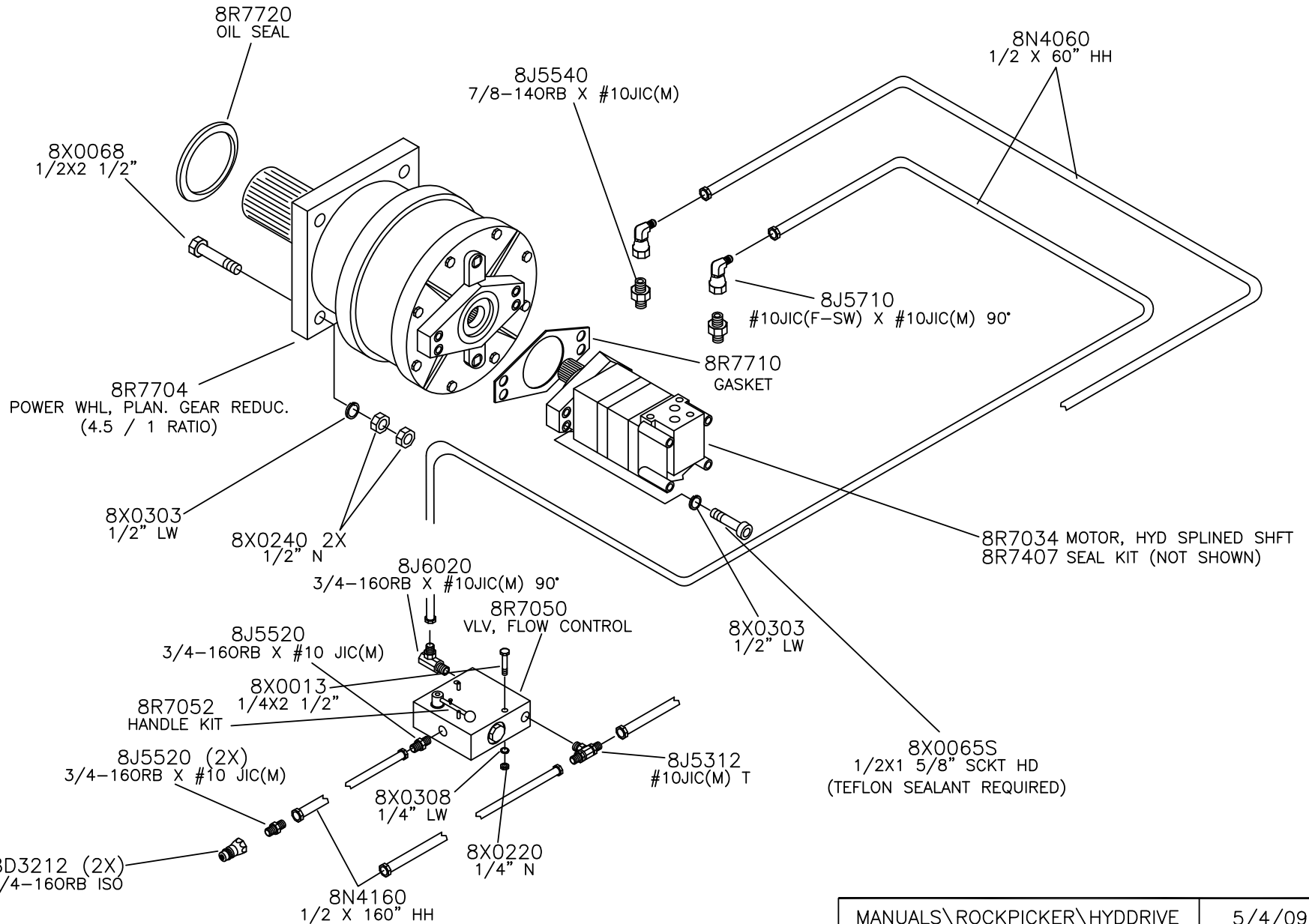
MAIN FRAME (Model 700)



RAKE AND REEL ASSEMBLY (Model 700)

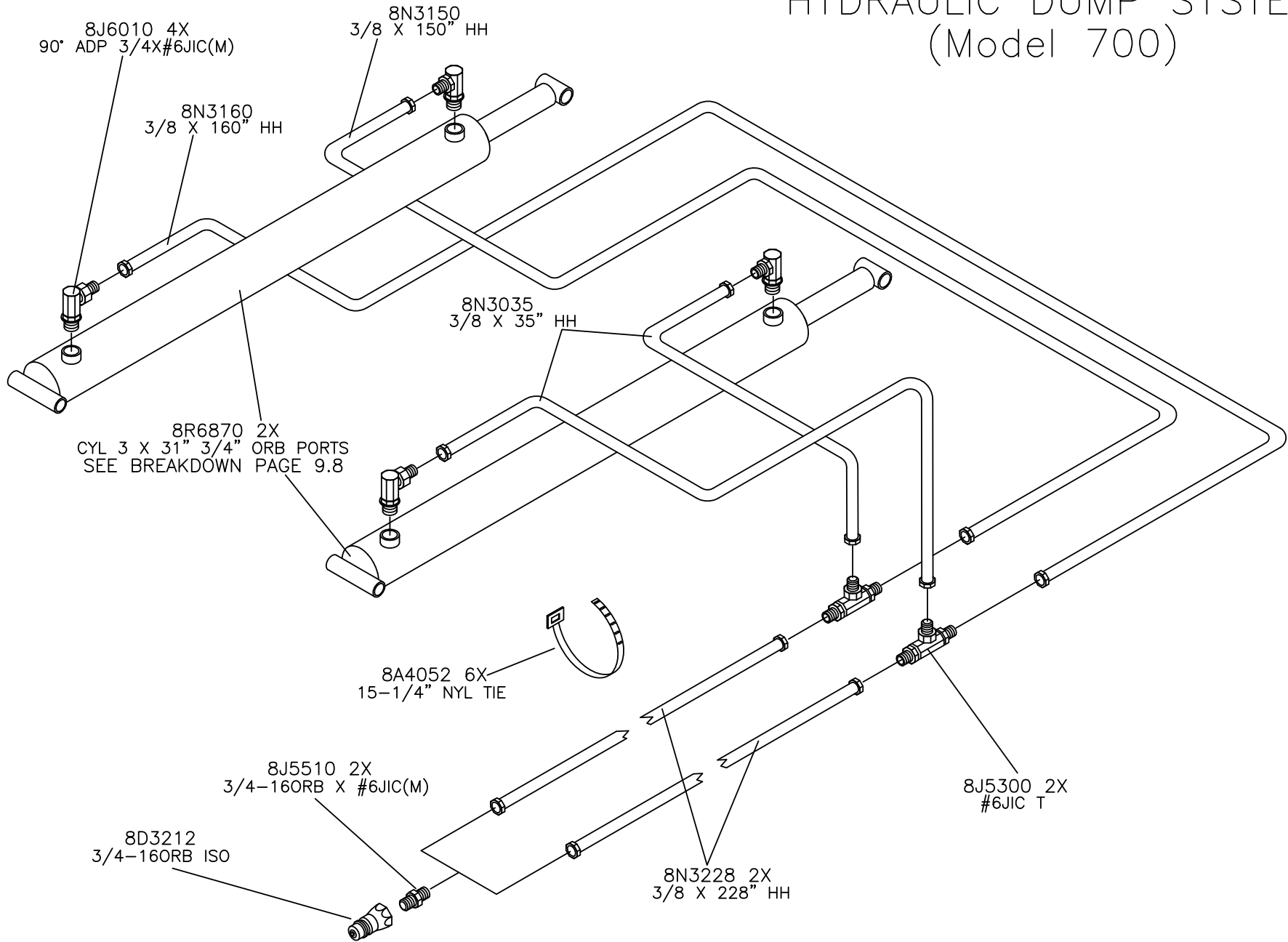


HYDRAULIC DRIVE SYSTEM (Model 700 Direct Drive)



10.3

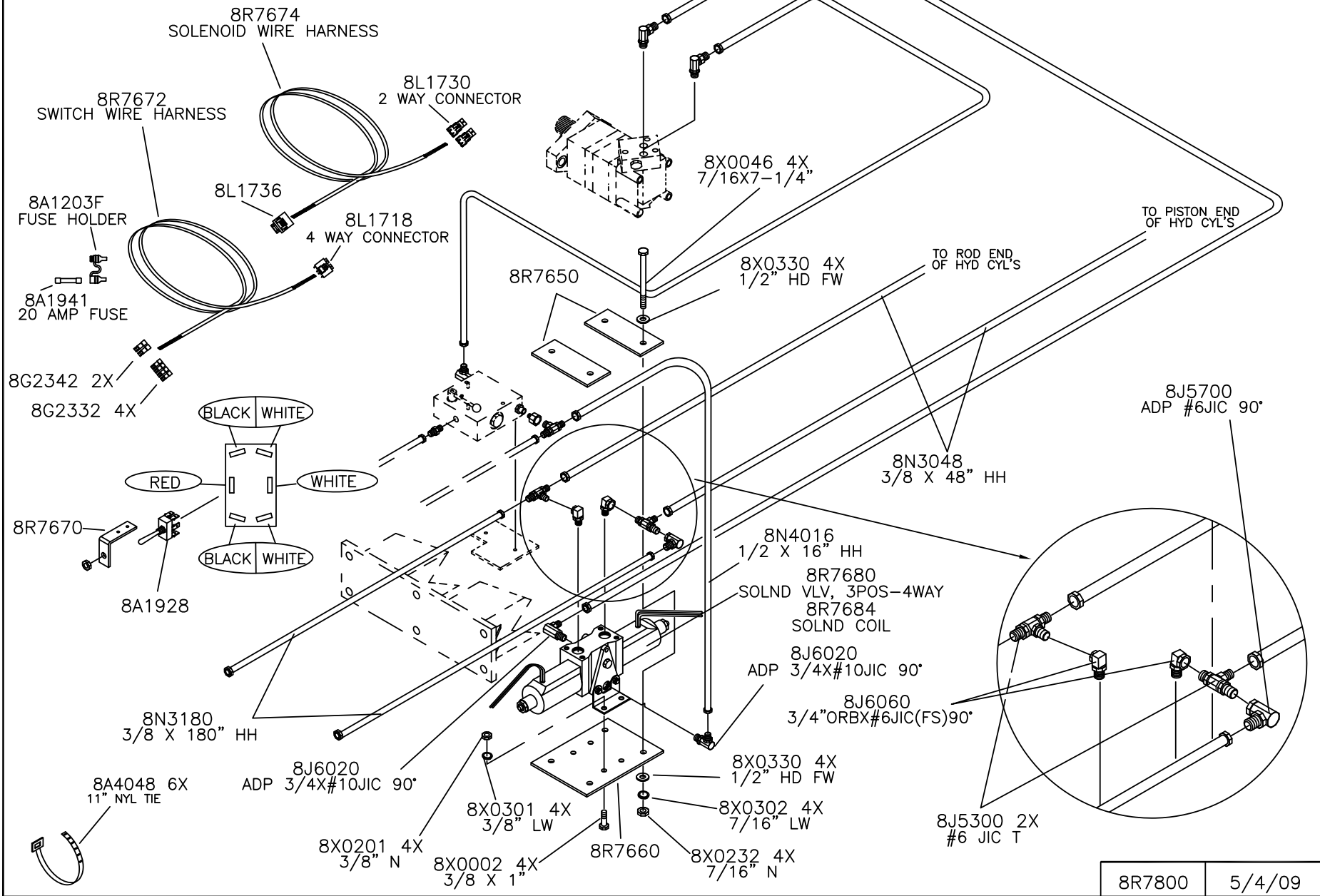
HYDRAULIC DUMP SYSTEM (Model 700)



10.4

ELECTRIC SOLENOID LIFT OPTION 8R7800

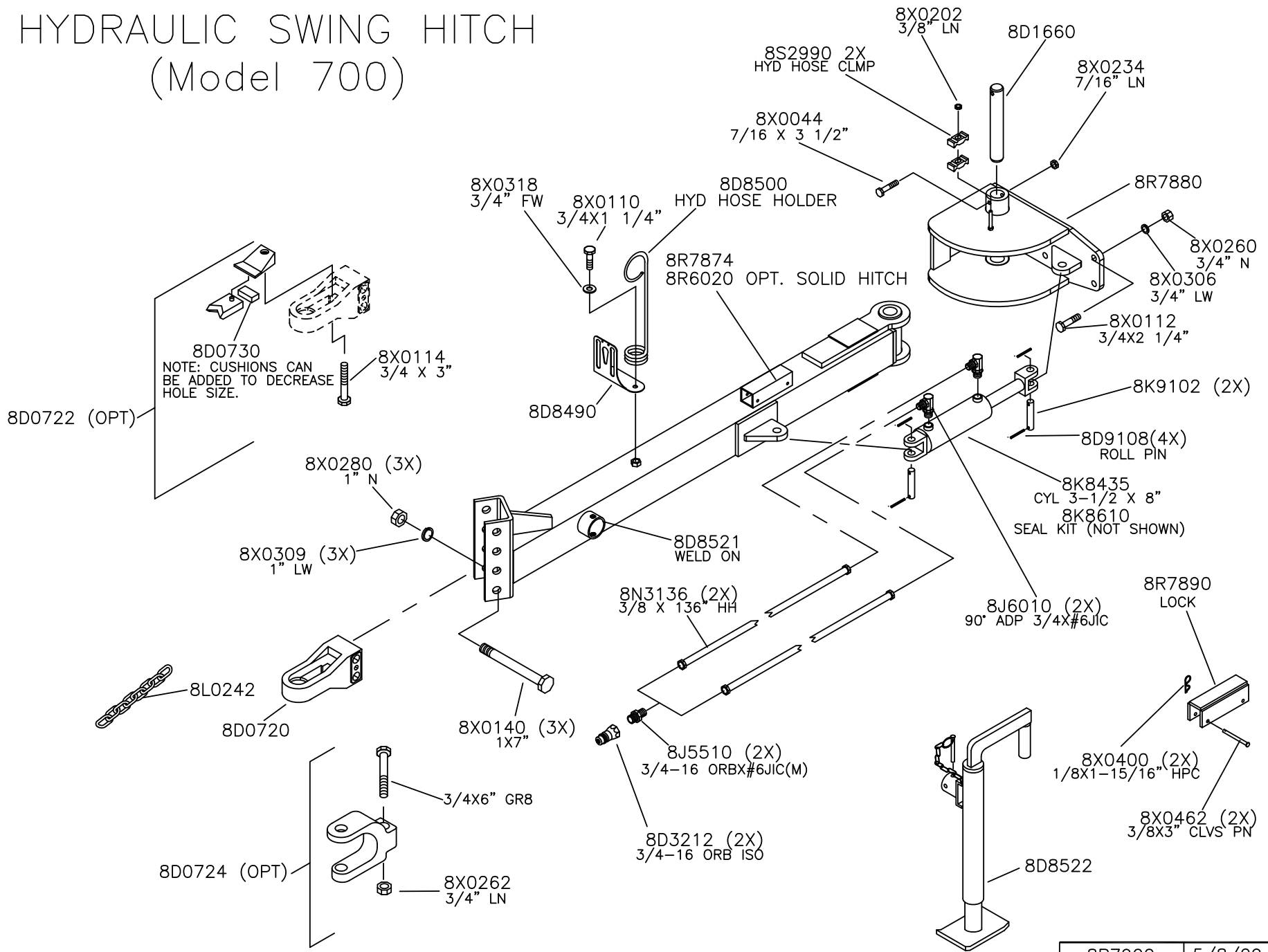
10.5



8R7800

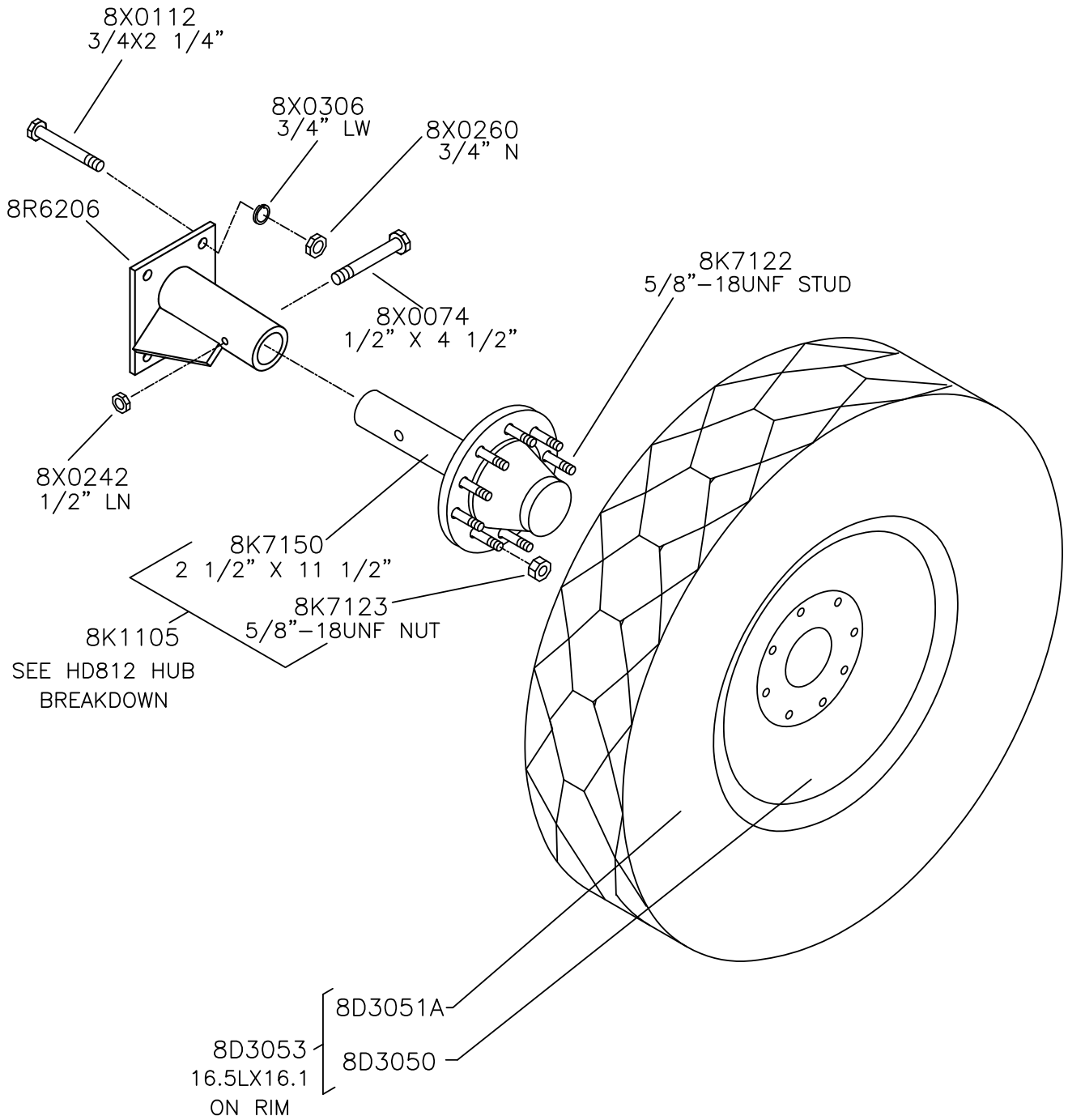
5/4/09

HYDRAULIC SWING HITCH (Model 700)



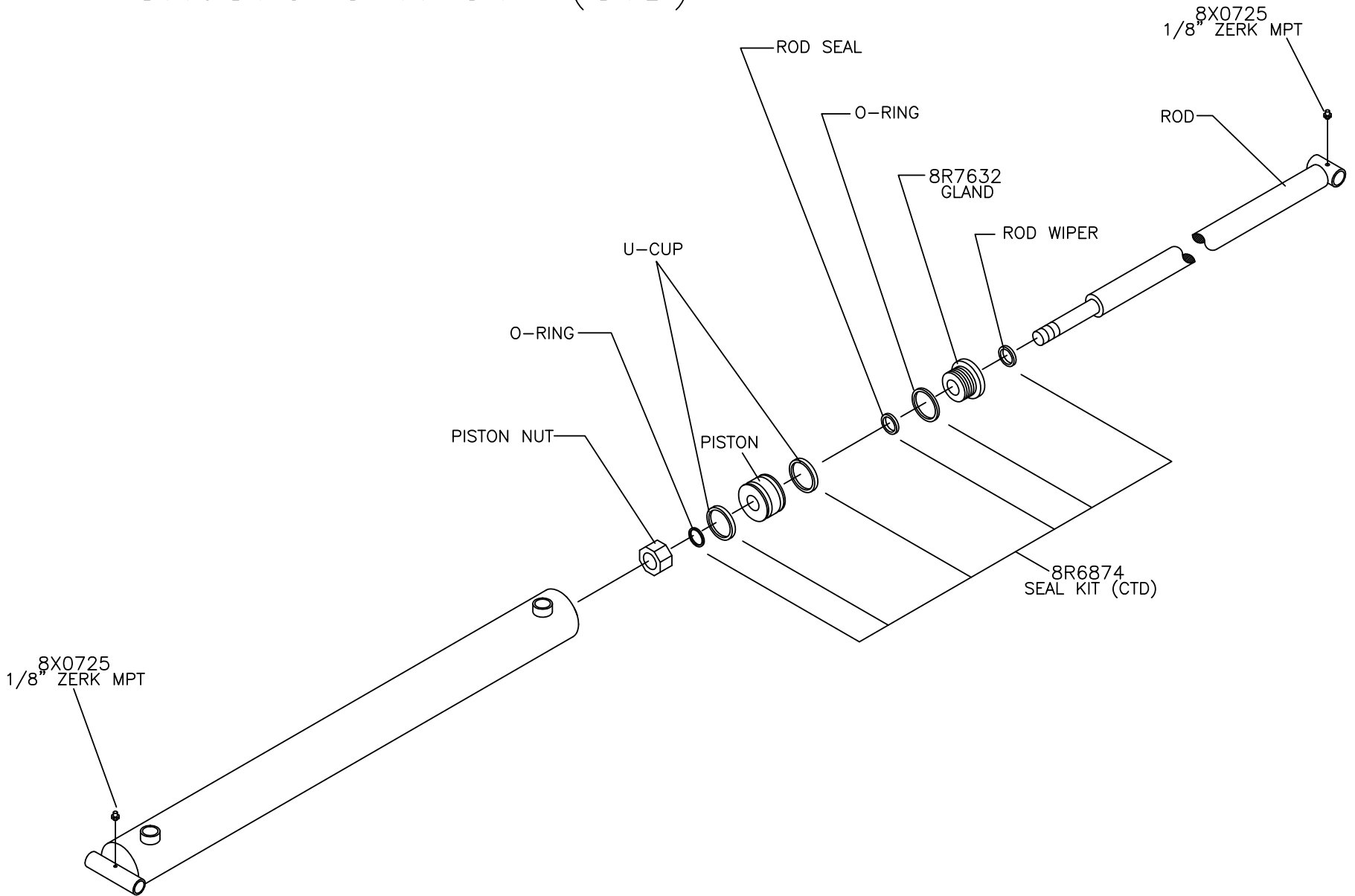
10.6

16.5L X 16.1 ON 8 BOLT HUB
8R7920



5/4/09	RPTIRE
--------	--------

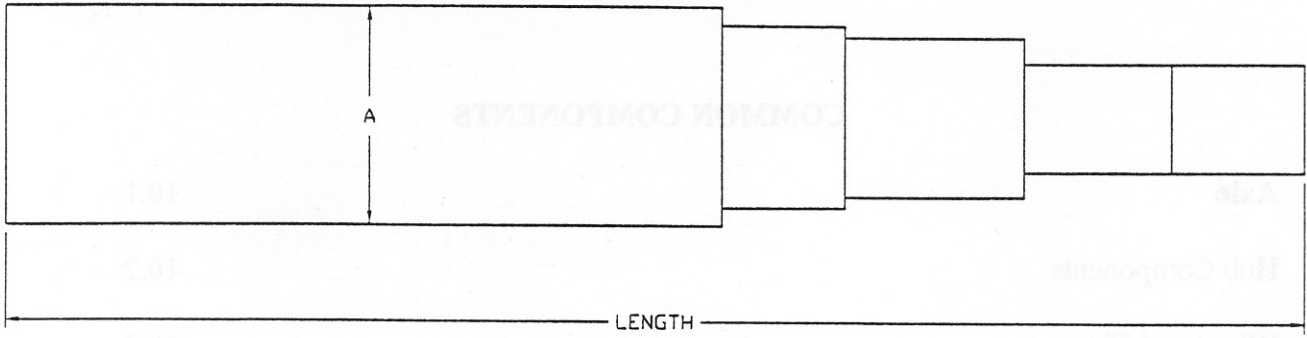
HYDRAULIC CYLINDER BREAKDOWN 8R6870 3 X 31" (CTD)



NOTES

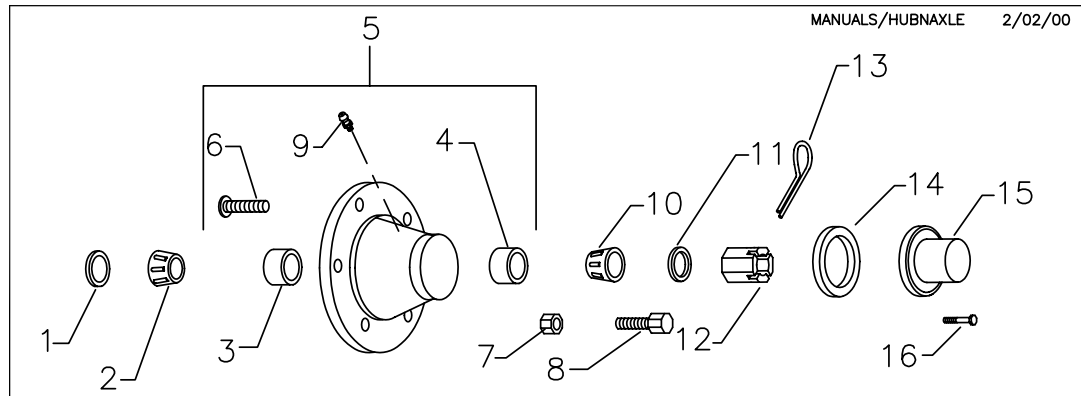
COMMON COMPONENTS

Axle	11.1
Hub Components	11.2
614 Hub w/GBGI Seal	11.3
Wheel and Tire	11.4
Hydraulic Cylinder Seal Kits	11.5 - 11.6
U-Bolts	11.7
SCS-205 / 450 Control Console Components	11.8
Hydraulic Pump Components	11.9
PTO Pump Components	11.10
Polypropylene Pipe Fittings	11.11 - 11.12
Polypropylene Flanged Fittings	11.13 - 11.15
Polypropylene Hose Barbs	11.16
Polypropylene Cam Lever Couplings	11.17
Ball Valve Replacement Components	11.18
JIC Conversion	11.19
JIC Hose Conversion	11.20 - 11.21



AXLE

HUB	LENGTH	PART #	DIA. "A"	MATERIAL	ATTACHMENT
HD211	9"	8S5250	1.25"	CR-1045	Weld-On
H517	7.75"	8D1168	2"	HR-1045	Weld-On
H611	9.25"	8D1160	1.875"	HR-1045	Weld-On
H611	11.75"	8S5406	1.75"	HR-1045	For Rcvr Tube
H611	12.75"	8L1020	1.75"	HR-1045	For Rcvr Tube
H614	9.5"	8R6901	2"	CR-1045	For Rcvr Tube
H614	9.625"	8R6899	2"	HR-1045	Weld-On
H614	11.5"	8R6902	2"	HR-1045	Weld-On
HD812	11.5"	8K7150	2.5"	HR-1045	For Rcvr Tube
HD812	11.5"	8K7150S	2"	HR-1045	For Rcvr Tube
HD812	13.75"	8C0800	2.5"	HR-1045	Weld-On
H1010(12K)	12.1"	8K7250	3"	CR-1045	For Rcvr Tube
H1010(15K)	12.1"	8K7251	3.5"	4140	For Rcvr Tube



MANUALS/HUBNAXLE 2/02/00

HUB AND AXLE COMPONENTS

Assembly Notes:

A. Before towing machine, pack wheel bearings and fill 1/2 of hub cavity with high quality bearing grease.

B. Tighten axle nut to 50 ft.-lbs., loosen nut until first slot is aligned with hole in axle, install cotter pin and bend to retain.

Legend:	SMC	Part Number
	INDUSTRY	Part Number or Size

HUB	1. SEAL	2. INNER BEARING	3. INNER RACE	4. OUTER RACE	5. HUB ASSY	6. WHEEL STUD	7. WHEEL NUT	8. WHEEL BOLT	9. HUB ZERK	10. OUTER BEARING	11. AXLE WASHER	12. AXLE NUT	13. COTTER PIN	14. HUB CAP GASKET	15. HUB CAP	16. HUB CAP BOLT
H211	8G8220	8G8217	8G8230	8G8230	8G8211	N/A	N/A	8D5114	8X0708	8G8217	8D5119	8D5112	8X0410	N/A	8G8213	N/A
	SE10	L44643	8L44610	L44610	HDA211			WB10	1/4-28NF	L44643	3/4" I.D.	3/4"-16	3/16X1"		DC11	
H413	8D5120	8D5117	8D5336	8D5330	M6527850	N/A	N/A	8D5114	8X0708	8D5118	8X0317	8D5112	8X0410	N/A	M6527846	N/A
	SE11	LM67048	LM67010	LM11910	H413			WB10	1/4-28NF	LM11949	3/4" I.D.	3/4"-16	3/16X1"		DC24	
H511	8D5120	8D5117	8D5336	8D5330	8D5111	N/A	N/A	8D5114	8X0721	8D5118	N/A	8D5112	8X0410	N/A	8D5113	N/A
	SE11	LM67048	LM67010	LM11910	H511			WB10	5/16-24NF	LM11949		3/4"-16	3/16X1"		DC12	
H517	8D5234	8D5217	8D5332	8D5336	8D5211	8D5215	8D5214	N/A	8X0721	8D5117	8S5219	8D5212	8X0415	N/A	8D5213	N/A
	8D5236															
H611	8D5221	8D5317	8D5334	8D5336	8D5311	N/A	N/A	8D5114	8X0708	8D5117	8D5319	8D5312	8X0415	N/A	8D5213	N/A
	SE13	LM29749	LM29710	LM67010	H611			WB10	1/4-28NF	LM67048	1" I.D.	1"-14	3/16X1-1/2"		DC13	
H614	8R6922	8R6917	8R6925	8D5332	8R6911	N/A	N/A	8R6914	8X0708	8D5217	8D5319	8D5312	8X0415	N/A	8R6913	N/A
	SEE 6-22	LM603049	LM603011	LM48510	H614			WB12	1/4-28NF	LM48548	1" I.D.	1"-14	3/16X1-1/2"		DC15	
HD812	8K7127	8K7117	8K7130	8K7132	8K7111	8K7115-9/16"	8K7116-9/16"	N/A	8X0708	8K7118	8D5319	8D5312	8X0415	N/A	8K7113	N/A
	SEAL SE77					8K7122-5/8"	8K7123-5/8"									
	8K7128	LM3780	LM3720	LM2720	HD812	WB41	WB40									
H1010 LT	8K7220	7K7217	8K7230	8K7232	8K7211	8K7215	8K7216	N/A	8X0708	8K7218	8X0328	8D5314	8X0414	8K7212	8K7213	8K7214
	SE48	39585	39520	453A	H1010-9	WB51	WB52		1/4-28NF	460	1.312 I.D.	1-1/4"-12	1/4X2"	SE49	DC27	WB53
H1010 HVY	8K7221	8K7219	8K7231	8K7232	8K7210	8K7215	8K7216	N/A	8X0708	8K7218	8X0328	8D5314	8X0414	8K7212	8K7213	8K7214
	SE67	33275	33462	453A	H1010-11	WB51	WB52		1/4-28NF	460	1.312 I.D.	1-1/4"-12	1/2X2"	SE49	DC27	WB53

** GBGI (Not Shown), 8R6921 Triple Lip (Shown)

*** Pre 2006 8K7120(SE17)

614 HUB W/GBGI SEAL

INSTALLATION INSTRUCTIONS FOR 8R6922 SEAL ASSEMBLY (3 PIECE-GBGI) FOR H614 HUB:

SEAL SUPPORT (2 - 8R6927)

PRESS SEAL SUPPORT (2) ONTO AXLE $5/8"$ ($+1/32"$, $-0"$) PAST INNER BEARING RETAINING SHOULDER. SUPPORT WILL CONTACT MACHINED STEP ON AXLE.

A. IF SEAL SUPPORT IS NOT PRESSED ON AXLE FAR ENOUGH, THE SEAL SUPPORT WILL RUB ON HUB.

B. IF SEAL SUPPORT IS PRESSED TOO FAR ONTO AXLE, IT WILL CAUSE IMPROPER CONTACT BETWEEN RUBBER SEAL (3) AND INNER SEAL SUPPORT (1) RESULTING IN BEARING CONTAMINATION AND FAILURE.

NOTE: APPLY THIN LAYER OF GREASE TO COUNTERFACE (1) SURFACE AT TIME OF SEAL INSTALLATION.

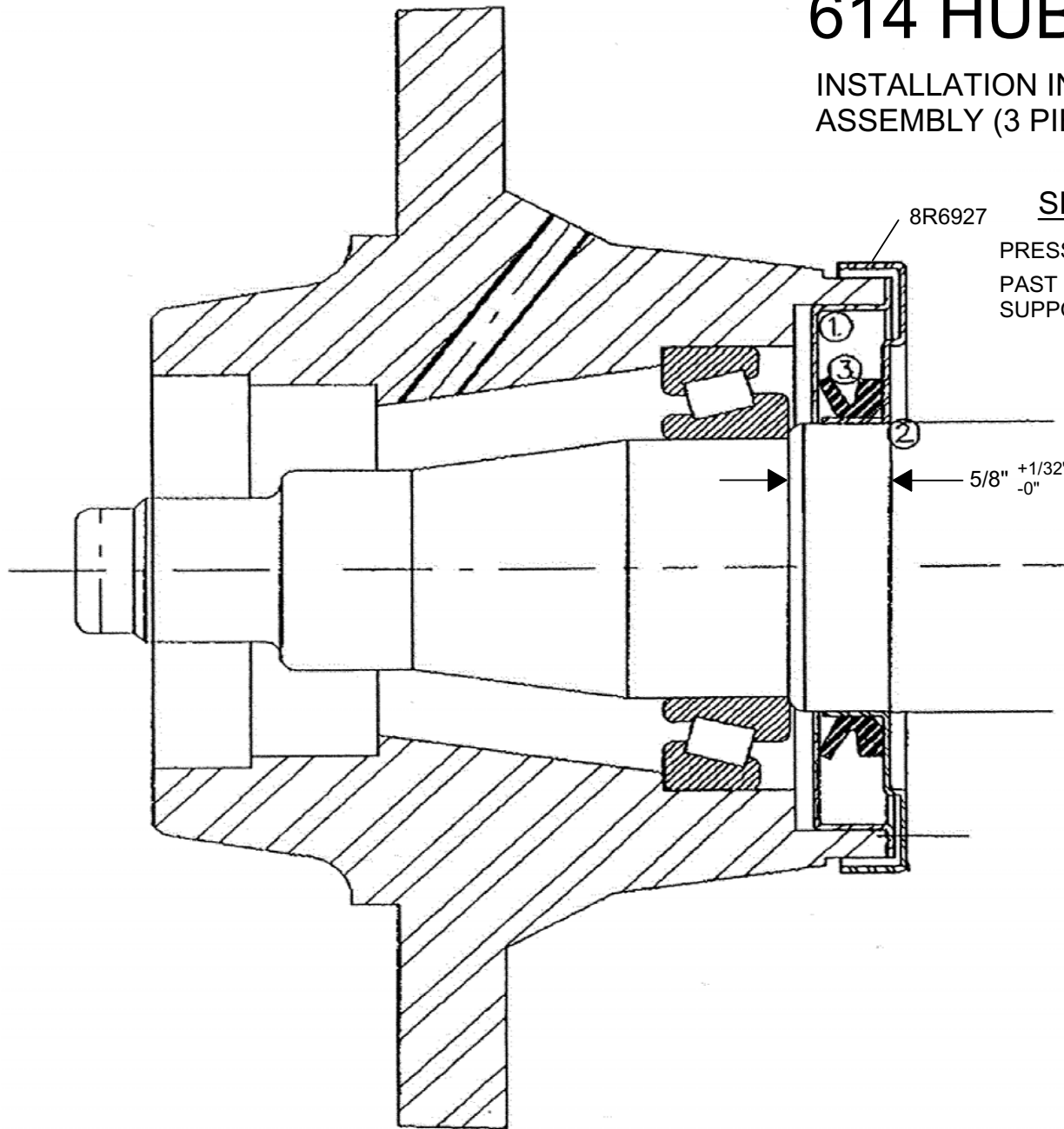
SEAL COUNTERFACE (1 - 8R6924)

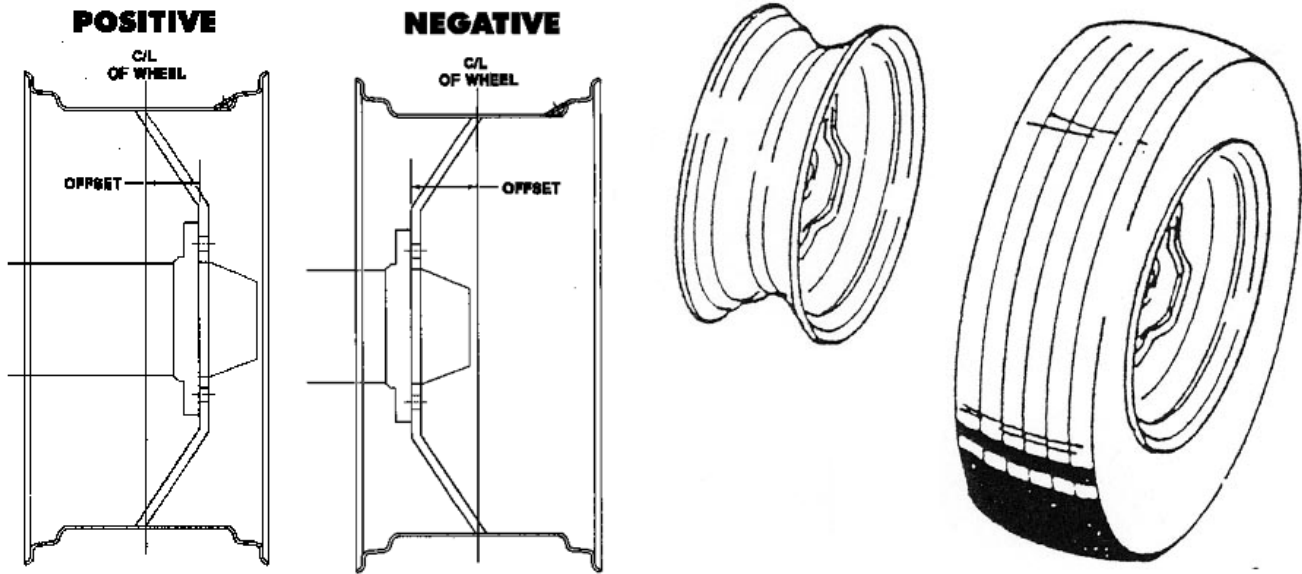
PRESS SEAL COUNTERFACE INTO HUB UNTIL SHOULDER CONTACTS HUB ($1/2"$).

V-SEAL (3 - 8R6923 (A-994))

STRETCH V-SEAL OVER SEAL SUPPORT UNTIL ITS BACK IS SEATED AGAINST THE BACK SHOULDER OF SEAL SUPPORT AND LIES SMOOTH ALL AROUND.

11.3





WHEEL/TIRE ASSEMBLY	WHEEL ONLY			TIRE VALVE OR TUBE		TIRE ONLY	
	PN	PN	DESCRIPTION	OFFSET	PN	PN	DESCRIPTION
	8D3031	8D3030	15 X 6", 6 BOLT	+1.12"	8D2994	8D3016	7.60 X 15", 8 PLY TL
	8D3046	8D3036	15 X 10", 6 BOLT	+1.12"	8D2994	8D3045	31 X 13.5-15", 8 PLY TL
	8D3049	8D3047	16 X 8", 8 BOLT	-1.5"	8D2994	8D3048	LT265/75R16E RADIAL TL
	8D3053	8D3050	16.1 X 14", 8 BOLT	+1.12"	8D2994	8D3051A	16.5L X 16.1", 14 PLY TL
	8K7033	8D3035	15 X 8", 6 BOLT VLV-GRD	+1.12"	8D2994	8K7026	11L X 15", LRF TL
	8K7035	8D3035	15 X 8", 6 BOLT VLV-GRD	+1.12"	8D2994	8K7025	11L X 15", 10 PLY TL
	8K7037	8K7016	15 X 8", 8 BOLT VLV-GRD	-1.5"	8D2994	8K7026	11L X 15", LRF TL
	8K7042-PRE-99	8K7022	16X10", 8 BOLT-VLV-GRD	-1.5"	8D2994	PL*	12.5L X 16", 12 PLY TL
	8K7042	8K7020	15 X 10", 8 BOLT-VLV-GRD	-1.5"	8D2994	8K7028	12.5L X 15", LRF TL
	8S1280	8S1270	38 X 16", 10 BOLT	0	PL*	8S1275	480/80R38 TL, TRA
	8S1300	8S1290	46 X 12", 10 BOLT	+3/16"	PL*	8S1295	380/90R46 TL, TRA
*Purchase Locally							Last Updated 1/14/09

		MANUFACTURER							
		PRINCE * = 3000PSI MAX.	RAM	CTD	HYDROLINE (ROCKFORD)	SANBORN (MAGNUM)	RUGBY	MONARCH / RED LION	MISC.
CYLINDER PN	BORE X STROKE	SEAL KIT PART NUMBER							
8C0432	4 X 32	8D9418 (-93) 8D9418A (94-) *							
8C0532	5 X 32		8C0535 (-06)	8K8660 (06-)					
8D9090(ULT+TRA) BREAKAWAY	2 1/2 X 14	8D9092 (00-) (1-1/4" ROD)							
8D9093 (ULTRA) PART 2 FOLD	3 X 14	8D9094 (06-) (1-3/8" ROD)							
8D9109 (ULTRA) TIP LIFT	4 X 6	8D9107 (06-) (2" ROD)							
8D9112 (ULT) TIP LIFT	3 X 6	8D9111 (00-) (1-1/2" ROD)	8D9217 (99-99)						
8D9113-8D9118	2 1/2 X 8	8D9119 (-93) 8D9119A (94-) *				8D9140	8D9140	8D9130 (95-) (8D9118 ONLY)	
8D9120 (2PNT) MAIN LIFT	2 1/2 X 30	8D9119A * (1-1/4"ROD)							
8D9121(ULT+TRA) MAIN LIFT	2 1/2 X 30	8D9122 (00-) (1-1/2" ROD)							
8D9214(1500ULT-02) PART ONE FOLD	3 X 15-1/4	8D9211(-02)							
8D9215(ULT+TRA) PART ONE FOLD	3 X 16	8D9213 (00-)	8D9217 (99-99)						
8D9216	3 X 16	8D9218 (-93) 8D9218A (94-96) *						8D9250 (95-)	
8D9316	3 1/2 X 16							8D9350 (95-)	
8D9416	4 X 16	8D9418 (-93) 8D9418A (94-) * (1-3/4" ROD)							
8D9466 (CP-#2WNG)	4 1/2 x 16		8D9468 (98-)						
8D9516	5 X 16	8D9518A(94-) * (2" ROD)							
8" STROKE REPHASING CYLINDER PART NUMBER VARIES WITH SUPPLIER (_ - _) YEARS	3 X 8			8K8600 (89-)					
	3 1/2 X 8			8K8610 (90-) (1-3/4" ROD)		8K8720 (84-85)		8K8608 (89-90) (CTD 1-1/2"ROD)	
	3 3/4 X 8 (1.37"ROD)		8T1137/8K9375-CYL						
	4 X 8	8K8520 (93-04) *	8T1140B/8K9400-CYL	8K8620 (89-)		8K8730 (84-85)			
	4 1/4 X 8 (1.37"ROD)		8K9425 CYLINDR PN						
	4 1/2 X 8	8K8530 (93-04) *	8K9450 CYLINDR PN	8K8630 (89-)					
	4 3/4 X 8 (1.5"ROD)		8K9475 CYLINDR PN						
	5 X 8 (1.5"OR2" ROD)		8K9500 CYLINDR PN	8K8642 (89-92)					
	5 X 8 (2 1/8" ROD)	8K8540 (93-03) *		8K8642 (92-)					
8K9640	4 X 36			8K8650 (90-)					
8K9650	5 X 36			8K8660 (89-)					
8R4350(400RP-FRK)	3 X 10	8D9218							

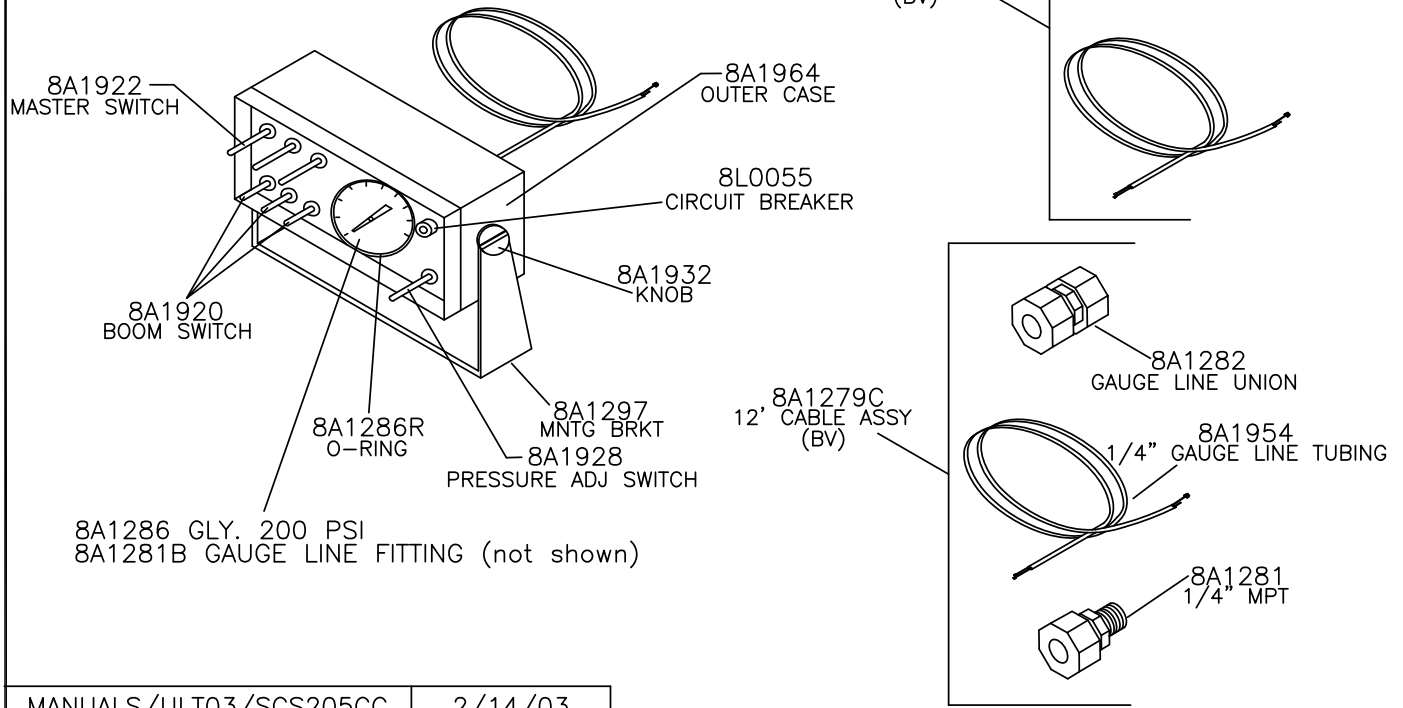
8R4400(400RP-BCKT)	3 X 14	8D9218		8R4356					
8R6870 (700 RP)	3 X 31			8R6874 (85-) 1 PC SPANR GLND					
8T1035 (2" ROD)	3 1/2 X 10		8T1135						
8T1037 (1-3/8"ROD)	3 3/4 X 10		8T1137						
8T1040 (2" ROD)	4 X 10	8K8520 (96-97) *	8T1140						
8T1040B (1-3/8"RD)	4 X 10		8T1140B						
8T1045 (2" ROD)	4 1/2 X 10	8K8530 (96-97) *	8T1145						
8T1050 (2-1/8"ROD)	5 X 10	8K8540 (96-97) *	8T1150						
8T1055 (2-1/4" ROD)	5 1/2 X 10		8T1155						
8T1060 (2-3/8" ROD)	6 X 10		8T1160						

CYLINDERS: 8K9375 - 8K9500 ARE REPLACEMENT CYLINDERS FOR HYDROLINE (ROCKFORD) OR SANBORN (MAGNUM)

U-BOLTS

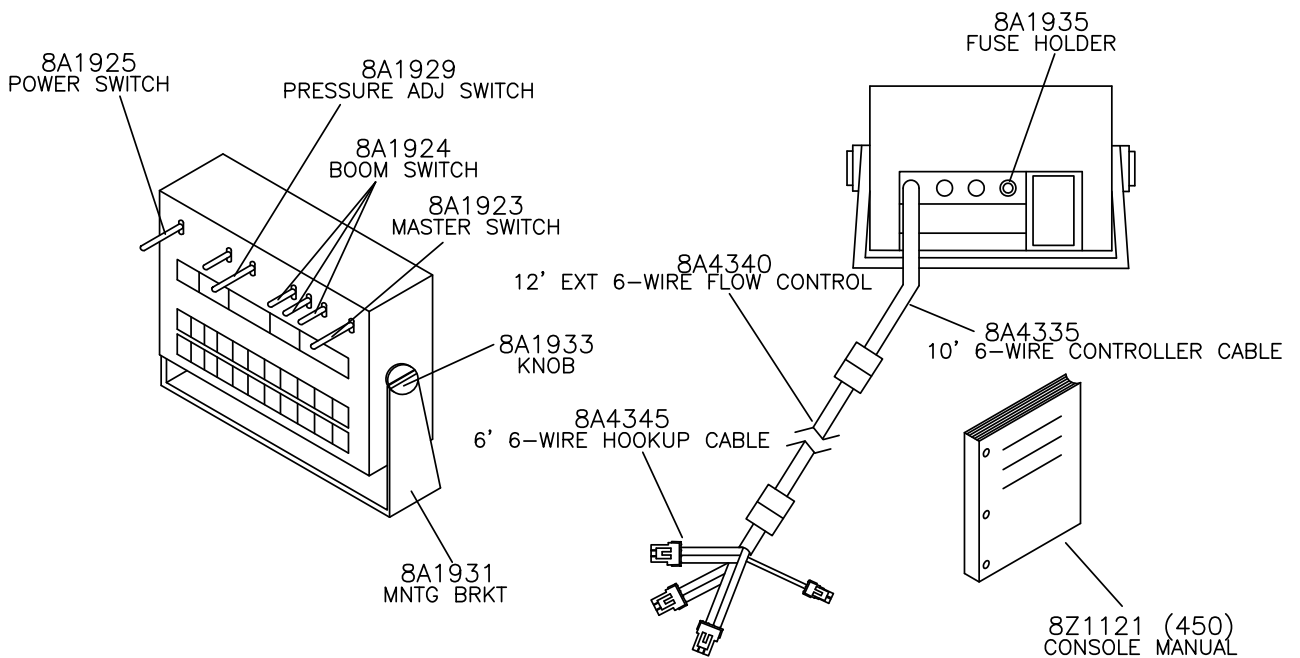
PART NO.	SHAPE	ROD DIA & THDS	WIDTH INSIDE	LENGTH INSIDE	THREAD LENGTH
8A1155	SQUARE	3/8" NC	6-1/16"	5"	1-7/8"
8A1156	SQUARE	3/8" NC	4-1/16"	5"	1-7/8"
8C1700	SQUARE	3/8" NC	2"	4-7/8"	1-3/4"
8C1710	SQUARE	3/8" NC	8"	9"	1-1/4"
8C1718	SQUARE	1/2" NC	2-5/8"	2-5/8"	1-1/4"
8C1720	SQUARE	1/2" NC	2-5/8"	3-3/4"	1-1/4"
8C1736	ROUND	1/2" NC	4-1/4"	5-1/4"	3"
8C1740	ROUND	1/2" NC	4-1/4"	7-1/4"	5"
8C1750	SQUARE	3/4" NC	3"	5-1/2"	1-3/4"
8C1755	SQUARE	3/4" NC	6"	6"	1-3/4"
8C1760	SQUARE	3/4" NC	8"	6"	1-3/4"
8C1780	SQUARE	7/8" NC	8"	10"	2"
8D0330	SQUARE	5/8" NC	6-1/16"	5-5/8"	1-3/4"
8D0340	SQUARE	3/4" NC	4"	7-3/4"	1-3/4"
8D0350	SQUARE	3/4" NC	4"	10"	1-3/4"
8D3130	ROUND	3/8" NC	1-3/4"	2-1/2"	1-1/16"
8D3140	SQUARE	1/2" NC	4-3/8"	7-1/4"	1-1/2"
8D3150	SQUARE	1/2" NC	3"	7-1/4"	1-1/2"
8D3152	SQUARE	1/2" NC	3-3/8"	7-1/4"	1-1/2"
8G8010	SQUARE	3/8" NC	1-5/16"	2-1/4"	1"
8G8020	SQUARE	3/8" NC	2-9/16"	3-1/2"	1-1/4"
8G8022	SQUARE	1/2" NC	4"	3-1/8"	1-1/8"
8H0350	ROUND	1/2" NC	2"	3"	1-1/2"
8HD0200	ROUND	1/2" NC	2-3/8"	3-9/16"	1-3/4"
8K5505	SQUARE	3/4" NC	2-1/8"	4-1/4"	1-3/4"
8K5515	SQUARE	3/4" NC	4"	6"	1-3/4"
8K5520	SQUARE	3/4" NC	6-1/8"	7-1/2"	2"
8L0258	SQUARE	5/16" NC	1-1/2"	2-1/2"	1"
8L0260	SQUARE	3/8" NC	1-3/4"	3"	1-1/8"
8L0262	SQUARE	5/16" NC	1"	2"	7/8"
8L0266	SQUARE	1/2" NC	3-1/2"	5"	1-3/8"
8L0268	SQUARE	5/16" NC	3"	4"	1"
8L0272	SQUARE	5/16" NC	3"	7"	1"
8S0280	ROUND	5/16" NC	2"	2-3/4"	1"
8S0282	SQUARE	5/16" NC	2"	2-3/4"	1"
8S0295	ROUND	3/8" NC	2-5/8"	4-1/4"	1-3/4"
8S0300	SQUARE	3/8" NC	2"	4"	1-7/8"
8S0315	ROUND	3/8" NC	3"	4-1/8"	1"
8S0319	SQUARE	3/8" NC	3"	4-1/8"	2"
8S0330	SQUARE	1/2" NC	3"	4-1/4"	1-1/8"
8S0340	SQUARE	1/2" NC	4"	5-1/4"	1-1/8"
8S0358	SQUARE	5/8" NC	3"	4-1/2"	1-1/4"
8S0360	SQUARE	5/8" NC	6"	4-1/2"	1-1/4"
8W1200	SQUARE	1/2" NC	2"	3-1/4"	1"
8W1204	SQUARE	1/2" NC	3"	3"	1-1/8"

SCS-205 CONTROL CONSOLE



MANUALS/ULT03/SCS205CC | 2/14/03

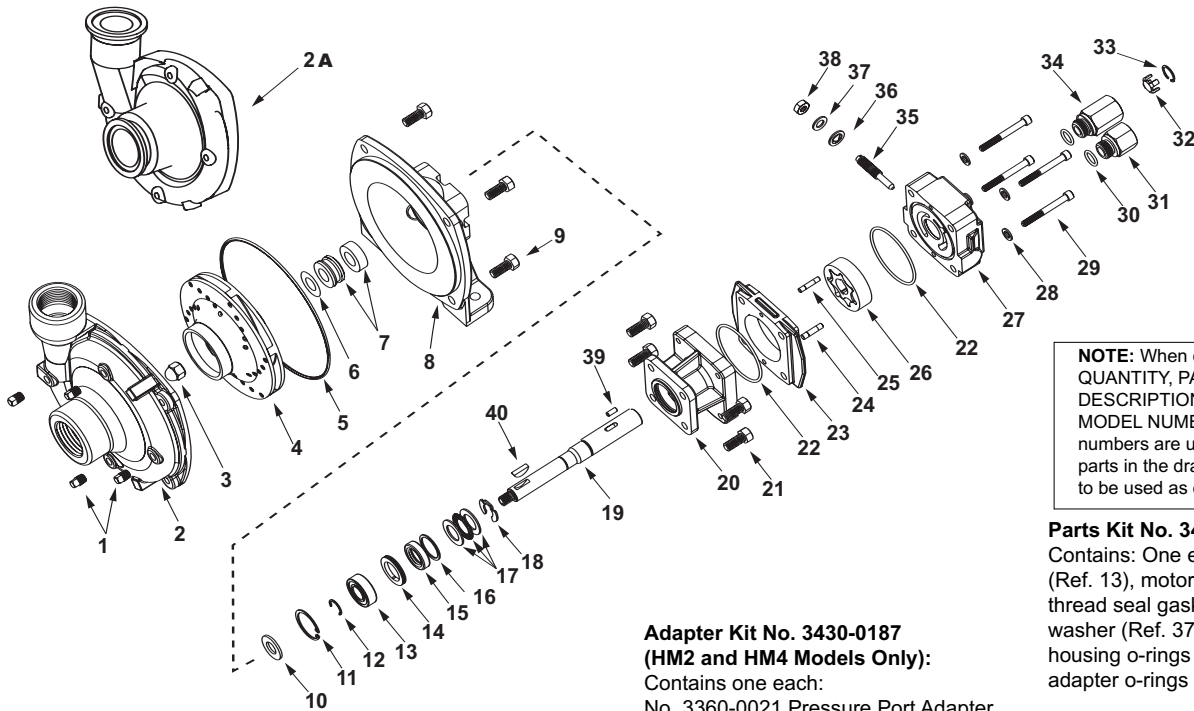
SCS-450 CONTROL CONSOLE



4/17/07

8L1919 - BALL VALVE ONLY HARNESS TO CENTER

All 9303C and 9303S Series Pumps



NOTE: When ordering parts, give QUANTITY, PART NUMBER, DESCRIPTION, and COMPLETE MODEL NUMBER. Reference numbers are used ONLY to identify parts in the drawing and are NOT to be used as order numbers.

Repair Parts Kit No. 3430-0332

Contains: One o-ring (Ref. 5), one rubber gasket (Ref. 6), and one mechanical seal (Ref. 7).

Silicon Seal Kit No. 3430-0589

Contains one each: 1720-0083 o-ring (Ref. 5) and one mechanical seal (silicon carbide) (Ref.7).

Adapter Kit No. 3430-0187 (HM2 and HM4 Models Only):

Contains one each:
 No. 3360-0021 Pressure Port Adapter
 No. 3373-0020 (Size #1)
 No. 3373-0021 (Size #2)
 No. 3373-0022 (Size #3).
 No. 1720-0108 Adapter O-ring and
 No. 1720-0105 Orifice O-ring (Qty 3).

Parts Kit No. 3430-0178

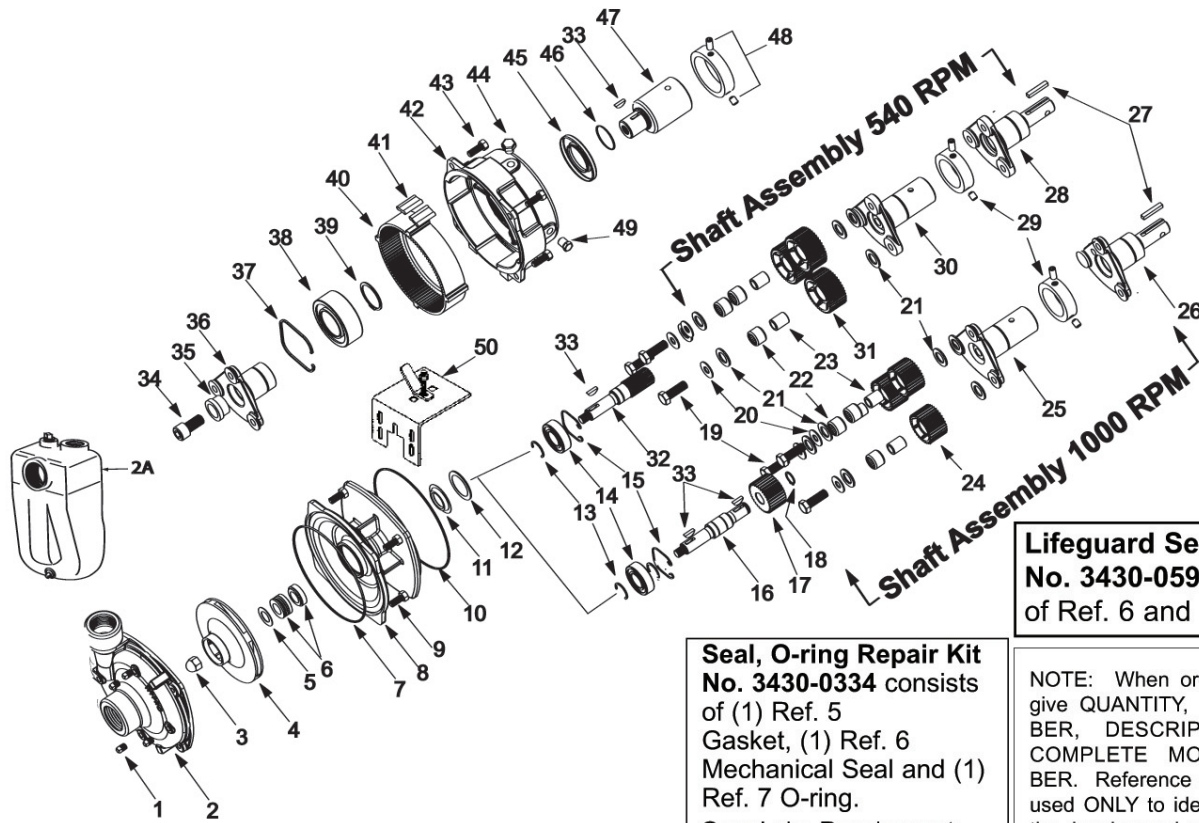
Contains: One each ball bearing (Ref. 13), motor shaft seal (Ref. 15), thread seal gasket (Ref. 36), and washer (Ref. 37); two each motor housing o-rings (Ref. 22), and port adapter o-rings (Ref. 30).

Hydraulic Motor Part Nos.

2500-0009C (HM1C Models)
 2500-0010C (HM2C Models)
 2500-0011C (HM3C Models)
 2500-0012C (HM4C Models)
 2500-0018C (HM5C Models)

Ref. No.	Qty. Req'd.	Part No.	Description
1	4	2406-0007	Drain/Vent Plug (9303C)
1	4	2406-0016	Drain/Vent Plug (9303S)
2	1	0150-9000C	Pump Casing (Model 9303C)
2	1	0150-9000S	Pump Casing (Model 9303S)
2A	1	0153-9000C	Pump Casing (Universal Flange)
3	1	2253-0002	Impeller Nut (9303C)
3	1	2253-0006	Impeller Nut (Model 9303S)
4	1	0401-9100P	Impeller (Nyglass, std.)(9303C)
4	1	0402-9100P	Impeller (Optional Polypropylene) (Std 9303S)
5	1	1720-0083	O-ring
6	1	1700-0100	Rubber Gasket (9303C)
7	1	2120-0009	Mechanical Seal (Viton) (Std 9303C)
7	1	3430-0589	Mechanical Seal (Silicon Carbide) (Std 9303S)
8	1	0750-9300C	Mounting Flange
8	1	0756-9300S	Mounting Flange (Model 9303S)
9	4	2210-0020	Hex Head Cap Screw (9303C)
9	4	2210-0125	Hex Head Cap Screw (Model 9303S)
10	1	1410-0056	Slinger Ring
11	1	1820-0013	Retaining Ring
12	1	1810-0014	Snap Ring
13	1	2000-0010	Ball Bearing
14	1	1410-0073	Spacer
15	1	2104-0005	Shaft Seal
16	1	1410-0074	Seal Spacer
17	1	2029-0014	Thrust Bearing Assembly—Consists of: (1) Thrust Bearing & (2) Thrust Brg. Races
18	1	1810-0026	Snap Ring
19	1	0509-2500	Shaft (HM2C & HM4C Models) 6-3/4" Long
19	1	0511-2501	Shaft (HM1C & HM5C Models) 7" Long
19	1	0510-2500	Shaft (HM3C Models) 7 -1/2" Long
20	1	0151-2500C	Motor Body (Includes Main Bearing)
21	4	2210-0005	Hex Head Cap Screw
22	2	1720-0110	O-ring
23	1	0701-2500C1	Gerotor Housing (HM2C Models) 1/4" Wide

Ref. No.	Qty. Req'd.	Part No.	Description
23	1	0700-2500C1	Gerotor Housing (HM1C Models) 1/2" Wide
23	1	0703-2500C1	Gerotor Housing (HM4C Models) 5/16" Wide
23	1	0702-2500C1	Gerotor Housing (HM3C Models) 1" Wide
23	1	0704-2500C1	Gerotor Housing (HM5C Models) 5/8" Wide
24	1	1600-0045	Dowel Pin (HM2C & HM4C Models)
24	1	1600-0044	Dowel Pin (HM1C & HM5C Models)
24	1	1600-0052	Dowel Pin (HM3C Models)
25	1	1600-0042	Dowel Pin (HM2C & HM4C Models)
25	1	1600-0037	Dowel Pin (HM1C & HM5C Models)
25	1	1600-0068	Dowel Pin (HM3C Models)
26	1	3900-0022	Gerotor (HM1C Models)
26	1	3900-0023	Gerotor (HM2C Models)
26	1	3900-0024	Gerotor (HM3C Models)
26	1	3900-0025	Gerotor (HM4C Models)
26	1	3900-0048	Gerotor (HM5C Models)
27	1	0251-2500C2	Motor End Plate (Includes Main Bearing)
28	4	2270-0039	Washer
29	4	2220-0045	Cap Screw (HM2C & HM4C Models)
29	4	2220-0021	Cap Screw (HM1C)
29	4	2220-0044	Cap Screw (HM3C Models)
29	4	2220-0032	Cap Screw (HM5C)
30	2	1720-0108	O-ring
31	1	3360-0021	Pressure Port Adapter
32	1	3260-0068	Poppet
33	1	1820-0038	Retaining Ring
34	1	3320-0049	Tank Port Adapter
35	1	3220-0029	Bypass Adjusting Screw
36	1	1700-0047	Gasket
37	1	2270-0027	Washer
38	1	2250-0038	Lock Nut
39	1	1610-0032	Roll Pin (HM2C & HM4C Models)
39	1	1610-0031	Roll Pin (HM1C & HM5C Models)
39	1	1610-0055	Roll Pin (HM3C)
40	1	1610-0012	Woodruff Key (9303C)
40	1	04432	S.S. Woodruff Key (Model 9303S)



**Lifeguard Seal Kit
No. 3430-0591** consists of Ref. 6 and Ref. 7.

**Seal, O-ring Repair Kit
No. 3430-0334** consists of (1) Ref. 5 Gasket, (1) Ref. 6 Mechanical Seal and (1) Ref. 7 O-ring.
Gear Lube Requirement:
Phillube SAE 80W90 Oil

NOTE: When ordering parts, give QUANTITY, PART NUMBER, DESCRIPTION, and COMPLETE MODEL NUMBER. Reference numbers are used ONLY to identify parts in the drawing and are NOT to be used as order numbers.

Ref. No.	Qty. Req'd.	Part No.	Description
1	4	2406-0007	Drain Plug
2	1	0150-9000C	Pump Casing (w / SS wear ring)
2A	1	3430-0480SP	Pump Casing (Self-Priming Units)
3	1	2253-0001	Impeller Nut
4	1	0400-9000P	Impeller (Nylon)
5	1	1700-0101	Gasket
6	1	2120-0010	Mechanical Seal (Optional Buna-N)
6	1	2120-0011	Mechanical Seal (Standard Viton)
7	1	1720-0083	O-ring
8	1	0752-9000C	Mounting Flange Adapter
9	4	2210-0020	Hex Head Capscrew
10	1	1720-0139	O-ring
11	1	2130-0018	Bearing Lip Seal
12	1	1700-0098	Gasket
13	*	1810-0013	Retaining Ring — (1) required for 540 rpm, (2) for 1-3/8" and (3) for 1-3/4" 1000 rpm
14	1	2008-0001	Ball Bearing
15	1	1820-0025	Retaining Ring
15	3	2210-0046	Capscrew
16	1	0500-9002	Impeller Shaft (1000 rpm)
17	1	3900-0013	Sun Gear (1000 rpm)
18	1	1810-0011	Retaining Ring (1000 rpm)
19	3	2210-0046	Hex Head Capscrew
20	3	2270-0003	Washer
21	6	2265-0003	Thrust Washer
22	3	2007-0052	Bearing (included with driver gear)
23	3	2007-0022	Bearing Inner Race
24	3	3900-0040	Driver Gear w/Bearing (1000 rpm) 32 teeth, Dia. 2.13"

Ref. No.	Qty. Req'd.	Part No.	Description
25	1	0562-9002D	Driver Hub (Model 9008C-O)
26	1	0501-9018D	Driver Hub (Model 9018C-O)
27	1	1610-0005	Key
28	1	0501-9016D	Driver Hub (Model 9016C-O)
29	1	3435-0058	Locking Collar Kit (hollow shaft)
30	1	0562-9000D	Driver Hub (Model 9006C-O)
31	3	3900-0039	Driver Gear w/Bearing (540 rpm) 39 teeth, Dia. 2.6"
32	1	3900-0010	Impeller Shaft/Pinion Gear (540 rpm)
33	**	1610-0012	Woodruff Key **(1) req'd for 540 rpm, (2) req'd for 1000 rpm models.
34	1	2220-0035	Capscrew (Model 9028C)
35	1	2403-0012	Bushing (Model 9028C)
36	1	0501-9018D1	Driver Hub (Model 9028C)
37	1	1800-0014	Retaining Ring
38	1	2005-0002	Ball Bearing
39	1	1810-0001	Retaining Ring
40	1	3900-0009	Ring Gear
41	8	1450-0004	Cushion Bumper
42	1	0754-9000C	Gear Casing
43	4	2210-0026	Hex Head Capscrew
44	1	2404-0193	Breather Vent
45	1	2102-0025	Oil Seal
46	1	1720-0022	O-ring
47	1	0550-1322F4	Driver Hub (9028C) 1-3/4" Hub 20 Teeth
48	1	3430-0190	Locking Collar Kit (Model 9028C)
49	4	2406-0019	Oil Plug
50	1	1520-0034	Mounting Clip

POLYPROPYLENE PIPE FITTINGS



PART NO.	DESCRIPTION
8A2008	3/4" Poly Pipe Street Elbow 90
8A2032	1" Poly Pipe Street Elbow 90
8A2053	1 1/4" Poly Pipe Street Elbow 90
8A2056	2" Poly Pipe Street Elbow 90



PART NO.	DESCRIPTION
8A2146	1" Poly Pipe Cross



PART NO.	DESCRIPTION
8A2004	1" Poly Pipe Tee
8A2039	1 1/4" Poly Pipe Tee
8A2041	2" Poly Pipe Tee



PART NO.	DESCRIPTION
8A2107	1" Poly Pipe Street Elbow 45
8A2059	2" Poly Pipe Street Elbow 45



PART NO.	DESCRIPTION
8A2137	3/4" Poly Pipe Cap
8A2138	1" Poly Pipe Cap



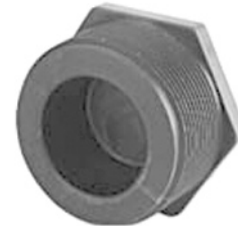
PART NO.	DESCRIPTION
8A2024	1" NPT x 1/4" FPT Poly Pipe Reducer Bushing
8A2001B	1" NPT x 1/2" FPT
8A2038	1 1/4" NPT x 3/4" FPT Poly Pipe Reducer Bushing
8A2102	1 1/2" NPT x 1 1/4" FPT Poly Pipe Reducer Bushing
8A2061	2" NPT x 1 1/4" FPT Poly Pipe Reducer Bushing
8A2058	2" NPT x 1 1/2" FPT Poly Pipe Reducer Bushing



PART NO.	DESCRIPTION
8A2106	1" Poly Pipe Elbow 90
8A2105	1 1/4" Poly Pipe Elbow 90
8A2057	2" Poly Pipe Elbow 90

POLYPROPYLENE PIPE FITTINGS

PART NO.	DESCRIPTION
8A2003	3/4" x Short Poly Pipe Nipple
8A2001	1" x Short Poly Pipe Nipple
8A2000	1 1/4" x Short Poly Pipe Nipple
8A2052	2" x Short Poly Pipe Nipple



PART NO.	DESCRIPTION
8A2128	1" x 3/4" Poly Reducer Nipple
8A2130	1 1/4" x 1" Poly Reducer Nipple
8A2131	1 1/2" x 1" Poly Reducer Nipple
8A2132	1 1/2" x 1 1/4" Poly Reducer Nipple
8A2136	2" x 1 1/4" Poly Reducer Nipple
8A2135	2" x 1 1/2" Poly Reducer Nipple

PART NO.	DESCRIPTION
8A2043	1/4" Poly Pipe Plug
8A2012	1/2" Poly Pipe Plug
8A2013B	1" Poly Pipe Plug
8A2045	1 1/4" Poly Pipe Plug



PART NO.	DESCRIPTION
8A2048	1" Poly Pipe Coupling
8A2048A	1" Poly Pipe Coupling Swivel
8A2048B	1 1/4" Poly Pipe Coupling
8A2048C	1 1/2" Poly Pipe Coupling

PART NO.	DESCRIPTION
8A2047	1" x 3/4" Poly Reducer Coupling

POLYPROPYLENE FLANGED FITTINGS



PART NO.	DESCRIPTION
8A2226	Flange 3" Poly Bolted Thread



PART NO.	DESCRIPTION
8A2224	Flange 2"x2" Bottom Drain Tank
8A2220	Fitting 1.25"x1.5" Poly Bottom Drain
8A2222	Fitting 2"x2" Poly Bottom Drain



PART NO.	DESCRIPTION
8A2250	Flange 1"x3/4" Hose Barb Elbow
8A2251	Flange 1"x1" Hose Barb Elbow
8A2253	Flange 2"x1" Hose Barb Elbow
8A2254	Flange 2"x1-1/4" Hose Barb Elbow
8A2255	Flange 2"x1-1/2" Hose Barb Elbow
8A2256	Flange 2"x2" Hose Barb Elbow
8A2258	Flange 2"x2" Hose Barb Elbow Full



PART NO.	DESCRIPTION
8A2266	1" Flange x 1" MPT Poly
8A2269	2" Flange x 1-1/4" MPT SS
8A2271	2" Flange x 1-1/2" MPT SS



PART NO.	DESCRIPTION
8A1402	Flange Gasket 3/4 & 1-1/2" EDPM
8A1405	Flange Gasket 1-1/4 & 2" EDPM
8A2218	Flange Gasket 1-1/2" & 2" EDPM
8A2232	Flange Clamp 1" Worm Screw
8A2233	Flange Clamp 2" Size 52 Worm
8A2234	Flange Clamp 2" Size 56 Worm
8A2235	Flange Clamp 3" Worm Size
8A2238	Flange Gasket 1" EDPM



PART NO.	DESCRIPTION
8A2284	Flange 1"x3/4" Hose Barb
8A2285	Flange 1"x1" Hose Barb
8A2288	Flange 2"x1-1/4" Hose Barb
8A2289	Flange 2"x1-1/2" Hose Barb
8A2290	Flange 2"x2" Hose Barb
8A2291	Flange 2"x2" Hose Barb Full Port

POLYPROPYLENE FLANGED FITTINGS



PART NO.	DESCRIPTION
8A2294	Flanged Tee 1"
8A2295	Flanged Tee 2"x1"
8A2296	Flanged Tee 2"x2"
8A2297	Flanged Tee 2" Full Port
8A2298	Flanged Tee 2" FP x 1"



PART NO.	DESCRIPTION
8A2312	Flanged Cross 1"
8A2314	Flanged Cross 2" Full Port



PART NO.	DESCRIPTION
8A2300	Flanged 2" Y-Strainer w/Screen
8A2300C	Flanged Body 2" Y-Strainer



PART NO.	DESCRIPTION
8A2315	Flanged 1" 45° Elbow
8A2317	Flanged 2" Full Port 45° Elbow



PART NO.	DESCRIPTION
8A2301	Strainer 80 Mesh
8A2302	Strainer 120 Mesh



PART NO.	DESCRIPTION
8A2318	Flanged 1" Elbow
8A2320	Flanged 2" Elbow Full Port
8A2321	Flanged 2" Elbow Short



PART NO.	DESCRIPTION
8A2308	Flanged 1" T-Strainer 100 Mesh
8A2308D	Strainer Head 1" Flanged
8A2308F	Strainer Bowl 1" Flanged
8A2308E	Strainer Bowl Gasket 1" Flanged
8A2309	Strainer Screen 100 Mesh 1" Flanged
8A2310	Strainer Screen 50 Mesh 1" Flanged



PART NO.	DESCRIPTION
8A2324	Flange 2" x 1" Reducer
8A2325	Flange 2" x 2" Full Port Reducer

POLYPROPYLENE FLANGED FITTINGS



PART NO.	DESCRIPTION
8A2330	Flange Plug 1"
8A2331	Flange Plug 2"
8A2331A	Flange Plug 2" w/1/4" FPT
8A2332	Flange Plug 2" Full Port
8A2336	Flange Plug w/3/4" FPT



PART NO.	DESCRIPTION
8A2340	Flange 1"x3/4" FPT



PART NO.	DESCRIPTION
8A2335	Flange Nipple 2"
8A2337	Flange Nipple 2" Full Port



PART NO.	DESCRIPTION
8A2350	Flange Ball Valve 1" Full Port
8A2354	Flange Ball Valve M200 2"
8A2356	Flange Ball Valve M220 2" Full Port

POLYPROPYLENE HOSE BARBS



PART NO.	DESCRIPTION
8A2006	3/4" Male Thread x 1/2" Hose Shank
8A2007	3/4" Male Thread x 3/4" Hose Shank
8A2037	3/4" Male Thread x 1" Hose Shank
8A2103	1" Male Thread x 3/4" Hose Shank
8A2025	1" Male Thread x 1" Hose Shank
8A2066	1" Male Thread x 1 1/4" Hose Shank
8A2031	1 1/4" Male Thread x 1 1/4" Hose Shank
8A2064	1 1/4" Male Thread x 1 1/2" Hose Shank
8A2065	1 1/2" Male Thread x 1 1/4" Hose Shank
8A2060	1 1/2" Male Thread x 1 1/2" Hose Shank
8A2062	2" Male Thread x 2" Hose Shank

PART NO.	DESCRIPTION
8A2108	3/4" Male Thread x 1/2" Hose Shank 90
8A2015	3/4" Male Thread x 3/4" Hose Shank 90
8A2017	3/4" Male Thread x 1" Hose Shank 90
8A2022	1" Male Thread x 3/4" Hose Shank 90
8A2110	1" Male Thread x 1" Hose Shank 90
8A2111	1 1/4" Male Thread x 1" Hose Shank 90
8A2112	1 1/4" Male Thread x 1 1/4" Hose Shank 90
8A2114	1 1/2" Male Thread x 1 1/2" Hose Shank 90
8A2116	2" Male Thread x 2" Hose Shank 90



PART NO.	DESCRIPTION
8A2117	1/4" Hose Barb x 1/4" Hose Barb
8A2122	3/4" Hose Barb x 3/4" Hose Barb
8A2124	1" Hose Barb x 1" Hose Barb

PART NO.	DESCRIPTION
8F9704	1/2" x 1/2" x 1/2" Hose Barb Tee
8F9703	1/2" x 1/2" x 3/4" Hose Barb Tee
8A2127	3/4" Hose Barb Tee



PART NO.	DESCRIPTION
8A2123	3/4" Hose Barb Elbow 90

PART NO.	DESCRIPTION
8A2018	1" Hose Barb x 1" Hose Barb x 3/4" MPT

POLYPROPYLENE CAM LEVER COUPLINGS



SIZE AND PART NUMBER							
ITEM	DESCRIPTION	3/4"	1"	1 1/2"***	1 1/2 X 1 1/4"****	1 1/2"	2"
A	Male Adapter - Female Thread					8A2098	8A1757
B	Female Coupler - Male Thread	8A2084					
C	Female Coupler - Hose Shank						8A1752
D	Male Adapter - Hose Shank						
E	Male Adapter - Male Thread	8A2086		8A2094			8A1756
F	Female Coupler - Hose Shank 90					8A2095	
PL	Plug for Female Coupler		8A2079				
CAP	Cap for Male Adapter						8A1760

*NOTE: **1 1/4" series couplings interchange with 1" size couplings. Coupling and adapter ends are 1" size.
 ***1 1/2" x 1 1/4" couplings interchange with 1 1/2" size couplings. Coupling and adapter ends are 1 1/2" size.

BALL VALVE REPLACEMENT COMPONENTS

PART #	DESCRIPTION	BRAND	PART # HANDLE	PART # STEM	PART # BODY	PART # END CAP	PART # VALVE KIT	PART # BALL SEAT	PART # STEM O-RING	PART # VALVE BALL	PART # BODY O-RING
8A1250	3/4" UNION	BANJO	8A1237	---	---	8A1238	---	8A1240	8A1236	8A1239	8A1241
8A1250B	3/4" BOLTED	BANJO		---	8A1467	---	8A1469	IN KIT	IN KIT	IN KIT	IN KIT
8A1248	3/4" 3W BTM-LD	BANJO	8A1460	---	8A1462	---	---	8A1464	---	---	---
8A1255B	1" BOLTED	SS	---	---	8A1198	8A1195	8A1479	IN KIT	IN KIT	IN KIT	IN KIT
8A1251	1" 3W BTM-LD	BANJO	8A1460	---	8A1472		---	8A1464	---	---	---
8A1204	1" ELECTRIC	SS	---	IN KIT	8A1198	8A1195B	8A1196*	IN KIT	IN KIT	IN KIT	IN KIT
8A1255	1 1/4" UNION	BANJO	8A1246A	---	---	8A1258	---	8A1245	8A1246B	8A1244	8A1246
8A1256	1 1/4" 3W BTM-LD	BANJO	8A1480	---	8A1482	8A1483	---	---	---	---	---
8A1732	2" UNION	BANJO	8A1247E	---	---	8A1247C	---	8A1247A	8A1247F	8A1247	8A1247B
8A1732B	2" BOLTED	BANJO	8A1733	8A1496	8A1502	8A1503	8A1504	IN KIT	IN KIT	IN KIT	IN KIT
8A1735	2" 2W SIDE-LD	BANJO	8A1495	8A1496	8A1497	---	---	8A1499	---	---	---

*Also used on manifold style 1" electric vall valves

JIC FITTINGS

STOCK CODE	DESCRIPTION	INDUSTRY PN
8J5100	#6 JIC (M) X #6 JIC (M) UNION	2403-6-6
8J5110	#10 JIC (M) X #10 JIC (M) UNION	2403-10-10
8J5150	3/8" MPT X #6 JIC (M) STR ADAPTER	2404-6-6
8J5152	#8 JIC(F) X #6 JIC(M) RDCR	2406-08-06
8J5170	1/2" MPT X #10 JIC (M) STR ADAPTER	2404-10-8
8J5200	#10 JIC (F) X #6 JIC (M) HEX BUSH	2406-10-6
8J5298	TEE #6 SWIVELNUTRUN(M+M+F-SW)	6602-06-06-06-4
8J5300	#6 JIC (M) 3X TEE	2603-6-6-6
8J5310	#10 JIC (M) 3X TEE	2603-10-10-10
8J5500	9/16"-18 ORB X #6 JIC (M) STR	6400-6-6-0
8J5510	3/4"-16 ORB X #6 JIC (M) STR	6400-6-8-0
8J5520	3/4"-16 ORB X #10 JIC (M) STR	6400-10-8-0
8J5540	7/8"-14 ORB X #10 JIC (M) STR	6400-10-10-0
8J5600	9/16"-18 ORB X #6 JIC (F-SW) STR	6402-6-6-0
8J5620	3/4"-16 ORB X #6 JIC (F-SW) STR	6402-8-6-0
8J5680	3/4"-16 ORB X 3/4"-16 ORB UNION	6403-8-8
8J5690	3/4-16X3/4-16 ORB M-SW90*UNION	6807-08-08-4
8J5700	#6 JIC (F-SW) X #6 JIC (M) 90° ADP	6500-6-6
8J5710	#10 JIC(F-SW)X#10 JIC(M)90*ADP	6500-10-10
8J5800	3/8" FPT X #6 JIC (F-SW) STR	6506-6-6
8J5810	1/2" FPT X #10 JIC (F-SW) STR	6506-8-10
8J6000	9/16"-18 ORB X #6 JIC (M) 90° ADP	6801-6-6 NWO
8J6002	9/16"-18ORB X #6 JIC(M)BRNCH T	6803-06-06-06 FORGED
8J6004	9/16"-18ORB X #6 JIC(M)RUN TEE	6804-06-06-06-4
8J6010	3/4"-16 ORB X #6 JIC (M) 90° ADP	6801-6-8 NWO
8J6020	3/4"-16 ORB X #10 JIC (M) 90° ADP	6801-10-8 NWO
8J6060	3/4"-16 ORB X #6 JIC (F-SW) 90° ADP	6809-8-6 NWO
8J7000	HYD BALL VALVE 9/16"-18 ORB (2X)	UCI CFH-S6
8J7040	THERMAL RELIEF MANIFLD 4000PSI	VA0952-04A
8J7116	3/4"-16 ORB (2X) 1 WAY 1/16" RESTR	FCF-08-062
8J7216	#6 JIC (M) X #6 JIC (F) 1/16" RESTR	2406-6-6-R-.062
8J7232	#6 JIC (M) X #6 JIC (F) 1/32" RESTR	2406-6-6-R-.031

JIC HOSE CONVERSION

SMC PIPE PN	DESCRIPTION	REPLACED BY (F-JIC-X)
8W1410	1/4" X 18" HYD HOSE 3000 PSI (CHANGED TO 14")	8N2014
8W1414	1/4" X 24" HYD HOSE 3000 PSI	8N2024
8W1416	1/4" X 36" HYD HOSE 3000 PSI	8N2036
8W1420	1/4" X 50" HYD HOSE 3000 PSI	8N2050
8W1430	1/4" X 60" HYD HOSE 3000 PSI	8N2060
8W1434	1/4" X 76" HYD HOSE 3000 PSI	8N2076
8W1436	1/4" X 88" HYD HOSE 3000 PSI	8N2088
8W1435	1/4" X 110" HYD HOSE 3000 PSI	8N2110
8W1437	1/4" X 120" HYD HOSE 3000 PSI	8N2120
8W1500	1/4" X 135" HYD HOSE 3000 PSI	8N2135
8W1502	1/4" X 150" HYD HOSE 3000 PSI	8N2150
8W1504	1/4" X 160" HYD HOSE 3000 PSI	8N2160
8W1506	1/4" X 170" HYD HOSE 3000 PSI	8N2170
8W1438	1/4" X 180" HYD HOSE 3000 PSI	8N2180
8W1440	1/4" X 190" HYD HOSE 3000 PSI	8N2190
8W1450	1/4" X 200" HYD HOSE 3000 PSI	8N2210
8W1460	1/4" X 210" HYD HOSE 3000 PSI	8N2210
8W1470	1/4" X 220" HYD HOSE 3000 PSI	8N2230
8W1480	1/4" X 230" HYD HOSE 3000 PSI	8N2230
8W1490	1/4" X 240" HYD HOSE 3000 PSI	8N2250
8W1492	1/4" X 250" HYD HOSE 3000 PSI	8N2250
8W1498	1/4" X 284" HYD HOSE 3000 PSI	8N2290
8W1496	1/4" X 296" HYD HOSE 3000 PSI (CHANGED TO 290")	8N2290
8W1510	1/4" X 350" HYD HOSE 3000 PSI (CHANGED TO 360")	8N2360
8W1512	1/4" X 390" HYD HOSE 3000 PSI	8N2410
8W1514	1/4" X 410" HYD HOSE 3000 PSI	8N2410
8D3106	3/8" X 18" HYD HOSE 3000 PSI	8N3018
8K7420	3/8" X 28" HYD HOSE 3000 PSI	8N3028
8D3105	3/8" X 35" HYD HOSE 3000 PSI	8N3035
8D3084	3/8" X 48" HYD HOSE 3000 PSI	8N3048
8K7460	3/8" X 60" HYD HOSE 3000 PSI	8N3060
8D3085	3/8" X 66" HYD HOSE 3000 PSI	8N3070
8K7470	3/8" X 70" HYD HOSE 3000 PSI	8N3070
8C0514	3/8" X 84" HYD HOSE 3000 PSI	8N3084
8C0516	3/8" X 96" HYD HOSE 3000 PSI	8N3096
8R6861	3/8" X 110" HYD HOSE 3000 PSI	8N3124

JIC HOSE CONVERSION

SMC PIPE PN	DESCRIPTION	REPLACED BY (F-JIC-X)
8D3087	3/8" X 124" HYD HOSE 3000 PSI	8N3124
8K7530	3/8" X 136" HYD HOSE 3000 PSI	8N3136
8D3088	3/8" X 144" HYD HOSE 3000 PSI	8N3150
8R6866	3/8" X 148" HYD HOSE 3000 PSI (CHANGED TO 150")	8N3150
8R6867	3/8" X 158" HYD HOSE 3000 PSI (CHANGED TO 160")	8N3160
8R6868	3/8" X 180" HYD HOSE 3000 PSI	8N3180
8K7590	3/8" X 198" HYD HOSE 3000 PSI	8N3204
8D3093	3/8" X 204" HYD HOSE 3000 PSI	8N3204
8K7610	3/8" X 216" HYD HOSE 3000 PSI	8N3216
8K7620	3/8" X 228" HYD HOSE 3000 PSI	8N3228
8D3090	3/8" X 252" HYD HOSE 3000 PSI	8N3252
8K7680	3/8" X 288" HYD HOSE 3000 PSI	8N3288
8K7710	3/8" X 312" HYD HOSE 3000 PSI	8N3312
8K7730	3/8" X 330" HYD HOSE 3000 PSI	8N3330
8K7740	3/8" X 348" HYD HOSE 3000 PSI	8N3348
8K7760	3/8" X 360" HYD HOSE 3000 PSI	8N3360
8K7780	3/8" X 390" HYD HOSE 3000 PSI	8N3390
8K7830	3/8" X 432" HYD HOSE 3000 PSI	8N3432
8K7840	3/8" X 462" HYD HOSE 3000 PSI	8N3462
8K7850	3/8" X 534" HYD HOSE 3000 PSI	8N3534
8K7855	3/8" X 570" HYD HOSE 3000 PSI	8N3570
8K7860	3/8" X 606" HYD HOSE 3000 PSI	8N3606
8D3070	1/2" X 12" HYD HOSE 3000 PSI	8N4016
8R7090	1/2" X 24" HYD HOSE 3000 PSI (CHANGED TO 16")	8N4016
8R7092	1/2" X 60" HYD HOSE 3000 PSI	8N4060
8D3074	1/2" X 100" HYD HOSE 3000 PSI	8N4114
8D3075	1/2" X 114" HYD HOSE 3000 PSI	8N4114
8D3076	1/2" X 138" HYD HOSE 3000 PSI	8N4138
8D3078	1/2" X 168" HYD HOSE 3000 PSI	8N4198
8K7880	1/2" X 198" HYD HOSE 3000 PSI	8N4198
8K7884	1/2" X 216" HYD HOSE 3000 PSI	8N4216
8K7888	1/2" X 228" HYD HOSE 3000 PSI	8N4228
8K7900	1/2" X 546" HYD HOSE 3000 PSI	8N4546
8K7920	1/2" X 624" HYD HOSE 3000 PSI	8N4624
8K7461	3/4" X 60" HYD HOSE 3000 PSI	8N6060
8D3080	3/4" X 400" HYD HOSE 3000 PSI	8N6400
8D3081	3/4" X 570" HYD HOSE 3000 PSI	8N6570
8D3082	3/4" X 588" HYD HOSE 3000 PSI	8N6588

Stock code	Description		
1S1516	POLY 16" WIDE PER/FT	8A0862	GASKET 1538 HYPRO PUMP IMPELR
1S1518	PERFORATED POLY 18"WIDE PER/FT	8A0864	BOLT SEAL HYPRO 1538 PUMP
7C1726	TUBE 2-5/8X2.026ID- 6.5" RETRO	8A0865	BOLT HYPRO 1538 FLANGE-CASING
7C4040	COIL SHAFT (4') 2"HR1045- 59"	8A0867	BEARING SHIELD HYPRO 1538
7C4050	COIL SHAFT (5') 2"HR1045- 71"	8A0868	O-RING HYPRO GEAR CASING
7C4055	COIL SHAFT(5.5')2"HR1045- 77"	8A0900	DRAIN/VENT PLUG
7C4060	COIL SHAFT (6') 2"HR1045- 83"	8A0903	PUMP CASTING BODY 220X200FLNGD
7C4070	COIL SHAFT (7') 2"HR1045- 95"	8A0904	IMPELLER NUT
7K2566B	7K2566 W/8K5350BSH10-7/8"96-	8A0906	IMPELLER
7K2570B	7K2570 W/8K5350BSHNGS 11"96-	8A0907	MOUNTING FLANGE
7L2797	RND CR 1.625X1.135"- 2-3/8"	8A0908	SLINGER RING
7L2818	TUBE 1.875X.75"ID- 2.94" 93-	8A0912	WOODRUFF KEY
7L3145	ROUND CR 1-1/8 X 19-1/2"COATED	8A0914	SCREW HEX HEAD CAP
7L3146	ROUND CR 1-1/8 X 22-1/4"COATED	8A0920	O-RING FOR HYDRAULIC PORTS
7L3147	ROUND CR 1-1/8 X 33-3/4"COATED	8A0922	RETAINING RING
7P8530	ROUND HR 2-1/2- 22-1/4" 07-	8A0924	SNAP RING
7R6575	7R6572 SPRING HOLDR ASSY LEFT	8A0926	BALL BEARING
7R6576	7R6572 SPRING HOLDR ASSY RGHT	8A0928	SPACER
7R6610	TOOTH BATT HARD-SURFACED	8A0930	SHAFT SEAL
7R7510	COUPLER SPLINED 700RP 82-	8A0931	SEAL SPACER
8A0126	HOOP REAR 1000 GAL NARROW P/C	8A0932	THRUST BEARING ASSEMBLY
8A0128	HOOP REAR 1250 GAL NARROW P/C	8A0934	SNAP RING
8A0130	HOOP 1000GAL CRPCARE P/C 03-	8A0936	SHAFT HM1
8A0150	HOOP 1500GAL CRPCARE P/C 03-	8A0938	ROLL PIN HM4
8A0154	AXIAL TANK SPRT TUBE P/C 03-	8A0939	ROLL PIN HM1 & HM5
8A0160	SPACER 1000 NRRW TNK HP 2.25"	8A0942	MOTOR FRONT BODY
8A0162	SPACER 1500 NRRW TNK HP 3.25"	8A0944	O-RING
8A0164	SPACER 1500 NRRW TNK HP 5.75"	8A0960	MOTOR END PLATE
8A0166	SPACER 1250 NRRW TNK HP 12"	8A0962	SCREW BYPASS ADJUSTING
8A0804	IMPELLER (PLASTIC)	8A0964	GASKET
8A0805	IMPELLER 1551 HYPRO PUMP	8A0966	WASHER 3/8" ID X 11/16" OD
8A0806	MECHANICAL SEAL VITON	8A0968	LOCK NUT
8A0809	GASKET 1551 HYPRO PUMP	8A1000	CLAMP HOSE 1/4" MINI
8A0810	BEARING RETAINER RING	8A1002	CLAMP HOSE 2" #36
8A0811	O-RING HYPRO 1551 PUMP	8A1003	CLAMP HOSE 1/2" MINI
8A0812	BALL BEARING	8A1004	CLAMP HOSE 5" #72
8A0813	SEAL VITON 1551 HYPRO PUMP	8A1006	CLAMP HOSE 1-1/2" #24
8A0814	RETAINING RING	8A1007	CLAMP HOSE 3/4" #12
8A0816	LIP SEAL BEARING 9006C/9008C	8A1008	CLAMP HOSE 1-1/4" #20
8A0820	THRUSTWASHER	8A1009	CLAMP HOSE 1" #16
8A0822	BEARING INNER RACE	8A1017	CLAMP HOSE SIZE J .82 - .93
8A0824	DRIVER GEAR W/BEARING 9006C	8A1041	CHECK VLV ASSY TNK 3/4X16ORB
8A0826	DRIVER GEAR W/BEARING 9008C	8A1044	PORT ADAPTER HYPRO PUMP
8A0828	OIL SEAL DRIVER 9006C/9008C	8A1046	O-RING (BUNA-N)
8A0830	SHAFT PINION GEARED IMPELLER	8A1047	MECHANICAL SEAL (VITON)
8A0834	SUN GEAR	8A1048	MECHANICAL SEAL SILICON CARBID
8A0836	RETAINING RING (FOR SUN GEAR)	8A1050	C9006 540 RPM CENT PUMP VITON
8A0838	DRIVER HUB 9006C	8A1052	C9008 1000 RPM CENT PUMP VITON
8A0840	DRIVER HUB 9008C	8A1056F	9303C-HM1C CNTRFGL FLGD HYDPMP
8A0842	DRIVER HUB 9008C 8SPLINE 08-	8A1057	9303S-HM1C CNTRFGL PUMP HYDDR
8A0847	RETAINING RING	8A1060	9303C-HM3C CNTRFGL PUMP HYDDR
8A0848	BALL BEARING	8A1062F	9303C-HM4C CNTRFGL FLGD HYDPMP
8A0850	SLINGER	8A1088	HYDRAULIC MOTOR FLANGE KIT
8A0852	RETAINING RING	8A1090	9910-D250 DIAPHRAGM PUMP 66GPM
8A0854	RING GEAR	8A1100	HYD MOTOR T SERIES 6.2 KEYED
8A0856	CUSHION BUMPER	8A1121	SCREEN 50 MESH DRIPLESS
8A0861	IMPELLER 1538 HYPRO PUMP	8A1155	U-BOLT 3/8 X 6-1/16 X 5" SQ
		8A1156	U-BOLT 3/8 X 4-1/16 X 5" SQ
		8A1157	U-BOLT 3/8 X 4-1/16 X 7" SQ

8A1178	MOUNTING CLIP HYPRO PTO PUMP	8A1272	JET AGITATOR 3/4" MPT BLUE
8A1180	LOCKING COLLAR KIT PTO PUMP	8A1273	JET AGITATOR 3/4" MPT HYPRO
8A1190	ELEC END NOZZLE COIL WP	8A1274	CONSOLE ONLY RAVEN SCS-205
8A1191	ELEC END NOZZLE SPRING	8A1279C	HOOKUP CABLE 205 12' 3-WIRE
8A1192	ELEC END NOZZLE PLUNGR VITON	8A1281	GAUGE LINE FITTING 1/4" MPT
8A1193	ELEC END NOZZLE VITON O-RING	8A1281B	GAUGE LINE FITTING 1/4" FPT
8A1194	ELEC END NOZZLE VALVE BODY	8A1282	GAUGE LINE UNION RAVEN
8A1195	ELECTRIC BVLVE OUTLET 1" FPT	8A1285	CABLE EXT 12' MECH 205 RAVEN
8A1195B	ELEC BVALVE 1" FLANGE OUTLET	8A1286	GAUGE ONLY RVN SCS-205 200PSI
8A1195C	SCREW SS HEX HEAD CAP 3"	8A1286R	O-RING RVN SCS-205 LIQUID GAGE
8A1195D	SCREW SS PHILLIPS PAN HEAD 3"	8A1287	GAUGE ONLY RAVEN SCS-203
8A1196	ELEC BALLVALVE REBUILD KIT	8A1297	MNT BRCKT RAVEN SCS-205
8A1198	BODY ELEC BALL VALVE NYLON	8A1299B	PRESSURE GAUGE 0-200 PSI GLY
8A1198A	BODY ELEC BALL VALVE MANIFLD	8A1299C	PRESSURE GAUGE 0-300 PSI GLY
8A1200	DIRECTOVALVE SPRAY SYSTM 144	8A1300A	PRESSURE GAUGE 0-200PSI 4" GLY
8A1202	DIRECTOVALVE SPRAY SYSTM 145	8A1309	TANK CLEAN H2O W/TOP BIN 95-
8A1203F	FUSE HOLDER W/FUSE CLIPS	8A1310	TANK 15 GAL CHEMICAL MIX
8A1204	VALVE 1" ELEC BALL SPRAYSYSTMS	8A1315	TANK 200 GAL POLY RINSE
8A1205	MOTOR ONLY 344 BVLVE 22 RPM	8A1315A	TANK 200GAL POLY YELW/SUMP ACE
8A1207	VALVE END NOZZLE SOLENOID	8A1325	TANK 500 GAL 48" RND 3 PNT
8A1208A	INLET 1" NPT BALLVALVE MANIFOLD	8A1328	TANK 500 GAL ELLIPTICAL 2PNT
8A1208B	INNER CONNECTOR BVALV MANIFLD	8A1329	TANK 750 GAL ELLIPTICAL 2PNT
8A1208C	O-RING BODY TO BODY BVLV MANIF	8A1331	TANK 1000GAL CROPCARE 96-04
8A1231A	REPAIR KIT DIRECTOVLV 144A-1	8A1331T	TANK TAPERED 1000 GAL CROPCARE
8A1232	REPAIR KIT DIRECTOVALVE 145	8A1332	TANK 1000 GAL ELLIPTICAL -01
8A1236	UNION STEM O-RING .5-.75" BANJO	8A1333	TANK 1500 GAL WILGER 96-03
8A1237	UNION HANDLE .5-.75" BANJO	8A1334	TANK TAPERED 1500 GAL CROPCARE
8A1238	UNION END CAP 3/4" BANJO	8A1337B	COVER 10" W/VENT
8A1239	UNION VALVE BALL 3/4" BANJO	8A1337C	VENT 10"
8A1240	UNION VALVE SEAT 3/4" BANJO	8A1337D	FILLWELL RING 10"
8A1241	UNION BODY O-RING 3/4" BANJO	8A1338	COVER 12" W/VENT & RING 08-
8A1244	UNION VALVE BALL 1.25 1.5" BJ	8A1342	COVER 16" W/ 6" CAP HYPRO
8A1245	UNION BALL SEAT 1.25 1.5" BJ	8A1343	BREATHER CAP 6" HYPRO
8A1246	UNION BDY O-RING 1.25 1.5" BJ	8A1344	FILLWELL RING 16" HYPRO
8A1246A	UNION HANDLE 1.25-1.5" BANJO	8A1346	STRAINER BASKET 16"
8A1246B	O-RING 1.25-1.5" STEM/DRN PLG	8A1347	TANK 50 GAL RECT RAVEN PCO
8A1247	UNION VALVE BALL 2" BANJO	8A1400	BANJO 3/4" FITTING COMPLETE
8A1247A	UNION BALL SEAT 2" BANJO	8A1402	FLANGE GASKET M200 EPDM
8A1247B	UNION BODY O-RING 2" BANJO	8A1404	BANJO 1-1/4" FITTING COMPLETE
8A1247C	UNION END CAP 2" BANJO	8A1405	FLANGE GASKET M220 EPDM
8A1247E	UNION HANDLE 2" BANJO	8A1410	BANJO 2" FITTING COMPLETE
8A1247F	UNION STEM O-RING 2" BANJO	8A1412	FLANGE GASKET M300 EPDM
8A1248	BALL VALVE 3/4" 3WAY BOTMLOAD	8A1413	BANJO 2" ANTI-VORTEX NO SCREEN
8A1250	BALL VALVE 3/4" UNION	8A1414	TRANSMITTER ONLY REMOTE CNTRL
8A1250B	BALL VALVE 3/4" BOLTED	8A1417	MNT BRCKT ONLY REMOTE CONTROL
8A1251	BALL VALVE 1" 3WAY BOTTMLOAD	8A1445	SEAL 16" ARAG HINGED COVER
8A1255	BALL VALVE 1-1/4" UNION	8A1445A	SEAL 12" ARAG HINGED COVER
8A1255B	BALL VALVE 1" FPT BOLTED	8A1446	16" HINGD CVR LESS HANDL HYPRO
8A1256	BALL VALVE 1.25" 3WAY BOTMLOAD	8A1447A	O-RING FOR ARAG ARM
8A1257	BALL VALVE 1.5" 3WAY BOTMLOAD	8A1447B	ARM RED 16" ARAG HINGED COVER
8A1258	UNION END CAP 1.25&1.5" BJ	8A1447C	FLYNUT ARAG 2"
8A1260	STRAINER 1"-T THREADED W/100M	8A1447D	ARM RED 12" ARAG COVER
8A1261	BODY 1"-T STRAINER THREADED	8A1447E	BAFFLE 16" ARAG HINGED COVER
8A1262	SCREEN 80 MESH HD 1"-T THREADD	8A1448	RING 16" HINGD FILLWELL HYPRO
8A1262B	SCREEN 100 MESH HD 1"-T THRDD	8A1450	PIN HINGED COVER
8A1263	GASKET VITON 1/1.25/1.5" THRDD	8A1451	HANDLE (BANJO) 1" BLTD BV03-
8A1265	BOWL BLACK 1/1.25/1.5" THRDD	8A1452	STEM (BANJO) 1" BLTD BV 03-
8A1269	REGULATOR VALVE 1" FPT 360 DEG	8A1453	BODY (BANJO) 1" BLTD BV 03-
8A1270	REGULATOR VALVE 3/4" FPT	8A1455	VALVE KIT (BANJO) 1" BLTDBV03-

8A1456	STEM O-RING (BANJO) 1" 03-	8A1892	ISO-BODY KIT 1"
8A1457	VLV BALL(BANJO) 1" BLTDBV03-	8A1893	ISO-BODY KIT 1-1/2"
8A1458	BDY ORING 1" BANJO BLTDBV03-	8A1904	NORTH MAGNET ASSY RED
8A1460	HANDLE (BANJO)3/4&1"3W BV98-	8A1905	SOUTH MAGNET ASSY BLACK
8A1462	BODY (BANJO) 3/4"3WAY BV98-	8A1914	SWITCH ASSY MAGNET RAVEN
8A1464	BLLSEAT(BANJO)3/4&1"3W BV98-	8A1920	SWITCH BOOM 203/205
8A1467	BODY (BANJO) 3/4"BLTD BV98-	8A1922	SWITCH MASTER 203/205
8A1469	VLV KIT(BANJO)3/4"BLTD BV98-	8A1923	SWITCH MASTER 440/450
8A1472	BODY (BANJO) 1" 3-WAY BV98-	8A1924	SWITCH BOOM 450 ONLY
8A1479	SPARE PARTS KIT 1"BLTD BV95-	8A1925	SWITCH POWER 440/450
8A1480	HANDLE (BANJO)1-1/4"3W BV98-	8A1926	SWITCH MAN/AUTO 440/450
8A1482	BODY (BANJO) 1-1/4"3W BV98-	8A1928	SWITCH PRESSURE ADJUST 203/205
8A1483	END CAP(BANJO)1-1/4"3W BV98-	8A1929	SWITCH PRESSURE ADJUST 440/450
8A1495	HANDLE (BANJO) 2"3-WAY BV98-	8A1930	MOUNTING BRACKET 4400/VIPER
8A1496	STEM (BANJO) 2" 3-WAY BV98-	8A1931	MOUNTING BRACKET 440/450
8A1497	BODY (BANJO) 2" 3-WAY BV98-	8A1932	KNOB 203/205
8A1499	BLLSEAT(BANJO) 2"3-WAY BV98-	8A1933	KNOB 440/450
8A1502	BODY (BANJO) 2" BLTD BV	8A1935	FUSE HOLDER 440/450
8A1503	END CAP(BANJO) 2" BLTD BV	8A1941	FUSE AGC 20 AMP
8A1504	VLV KIT(BANJO) 2" BLTD BV	8A1949	CABLE FLOWMETER/PRESSURE 6'
8A1550	CAP FLANGE INLET 1.5" KZ BVLV	8A1954	TUBING GAGE LINE 1/4"OD PER FT
8A1552	CAP FLANGE OUTLET 1" KZ BVLV	8A1964	OUTER CASE SCS-205
8A1553	BRACKET KZ BVLVE MOUNTNG	8A2000	NIPPLE 1-1/4"
8A1554	3/8" GUAGE PORT END CAP KZ BV	8A2001	NIPPLE 1"
8A1556	REPAIR KIT KZ FLANGE MTR VLV	8A2001B	BUSHING 1 X 1/2"
8A1558	MOTOR ASSY KZ FLANGE MTR VLV	8A2003	NIPPLE 3/4"
8A1566	VALVE 1" ELEC BALL FLNGD KZ	8A2004	TEE 1"
8A1600	VALVE 1" ELEC BOOM FLNGD RAVEN	8A2005G	TEE 3/4"MPT X 3/4"HB X 3/4"HB
8A1600A	MOTOR ASSY RAVEN MANIFOLD VLV	8A2005H	TEE 3/4"FPT X 3/4"HB X 3/4"HB
8A1600B	BODY RAVEN MANIFOLD VLV	8A2006	BARB HOSE 1/2" X 3/4 MPT
8A1600C	O-RING RAVEN MANIFOLD VLV OTLT	8A2007	BARB HOSE 3/4" X 3/4 MPT
8A1600D	OUTLET RAVEN MANIFOLD VLV	8A2008	STREET ELBOW 3/4"
8A1600E	SEAT KIT RAVEN MANIFOLD VLV	8A2009	ELBOW 3/4" HB X 3/4 FPT
8A1601	1" RAVEN TRPL BM VALVE W/CON	8A2010	ELBOW 1/2" HB X 3/4 FPT
8A1602	1" RAVEN FIVE BM VALVE W/CON	8A2011	NIPPLE 3/4" X 4"
8A1729	MOUNTING BRCKT BALL VLV 90	8A2012	PLUG 1/2"
8A1732	BALL VALVE 2" UNION	8A2013B	PLUG 1"
8A1732B	BALL VALVE 2" BOLTD	8A2014	COMBINATION FITTING 2"
8A1733	HANDLE(BANJO) 2" BLTD BV	8A2015	ELBOW 3/4" HB X 3/4 MPT
8A1735	BALL VALVE 2" 3WAY SIDELOAD	8A2017	ELBOW 1" HB X 3/4" MPT
8A1738	BALL VALVE 3" BTTM LD BLD	8A2018	TEE 3/4"MPT X 1"HB X 1"HB A&M
8A1740	BALL VALVE 3" STUBBY	8A2022	ELBOW 3/4" HB X 1" MPT
8A1752	COUPLER 2" CAMLOCK X 2" HB	8A2024	BUSHING 1 X 1/4"
8A1753	COUPLER 2" CAMLOCK X 2" 90*HB	8A2025	BARB HOSE 1" X 1" MPT
8A1756	ADAPTER 2" CAMLOCK X 2" MPT	8A2030A	BUSHING 3/8 X 1/4"
8A1757	ADAPTER 2" CAMLOCK X 2" FPT	8A2031	BARB HOSE 1-1/4" X 1-1/4 MPT
8A1760	CAP COUPLER 2" CAMLOCK	8A2032	STREET ELBOW 1"
8A1762	CAP COUPLER 3" CAMLOCK	8A2033	AGITATOR TEE
8A1813	SPEED SENSOR EXTENSION 24'	8A2033B	AGITATOR TEE EXTENSION
8A1820	SENSOR WHEEL DRIVE SPEED	8A2037	BARB HOSE 1" X 3/4 MPT
8A1825	GPS SPEED SENSOR PHOENIX 10	8A2038	BUSHING 1-1/4 X 3/4"
8A1827	CABLE RADAR SPEED SENSOR 12'	8A2039	TEE 1-1/4"
8A1828	GEARTOOTH SPEED SENSOR RAVEN	8A2041	TEE 2"
8A1829	CABLE GPS SPEED RS232 9PIN 3'	8A2043	PLUG 1/4" (A&M)
8A1830	REGULATING VALVE RAVEN 1"	8A2045	PLUG 1-1/4"
8A1832	REGULATING VALVE RAVEN 1-1/2"	8A2047	REDUCING COUPLING 1 X 3/4"
8A1846	FLOWMETER 60GPM POLY	8A2048	PIPE COUPLING 1"
8A1847	SENSOR ASSY EXTRNL 60P FLWMTR	8A2048A	PIPE COUPLING 1" SWIVEL 99-
8A1848	FLOWMETER 100GPM POLY	8A2048B	PIPE COUPLING 1.25"

8A2048C	PIPE COUPLING 1.5"	8A2235	FLANGE CLAMP FC300 WORM SCREW
8A2049	PIPE COUPLING 1" SS 96-	8A2238	FLANGE GASKET M100 EPDM
8A2052	NIPPLE 2"	8A2249	FLANGE ELBOW 45 M300 X 3" HB
8A2053	STREET ELBOW 1-1/4"	8A2250	FLANGE ELBOW 90 M100 X 3/4" HB
8A2056	STREET ELBOW 2"	8A2251	FLANGE ELBOW 90 M100 X 1" HB
8A2057	ELBOW 2"	8A2253	FLANGE ELBOW 90 M200 X 1" HB
8A2058	BUSHING 2 X 1-1/2"	8A2254	FLANGE ELBOW 90 M200 X 1.25" HB
8A2059	STREET ELBOW 45* X 2"	8A2255	FLANGE ELBOW 90M200x1.5" HB
8A2060	BARB HOSE 1-1/2"	8A2256	FLANGE ELBOW 90 M200 X 2" HB
8A2061	BUSHING 2" X 1-1/4"	8A2258	FLANGE ELBOW 90 M220 X 2" HB
8A2062	BARB HOSE 2"	8A2260	FLANGE ELBOW 90 M300 X 3" HB
8A2064	BARB HOSE 1-1/2" X 1-1/4" MPT	8A2266	FLANGE M100 X 1" MPT
8A2065	BARB HOSE 1-1/4" X 1-1/2" MPT	8A2269	FLANGE M200 X 1-1/4" MPT SS
8A2066	BARB HOSE 1-1/4" X 1" MPT	8A2271	FLANGE M200 X 1-1/2" MPT SS
8A2079	PLUG ADAPTER 1" CAMLOCK	8A2276	FLANGE M220 X 2" MPT SS
8A2084	COUPLER 3/4" CAMLOCK X 3/4" MPT	8A2284	FLANGE M100 X 3/4" HB
8A2085	GASKET 3/4" COUPLER	8A2285	FLANGE M100 X 1" HB
8A2086	ADAPTER 3/4" CAMLOCK X 3/4" MPT	8A2288	FLANGE M200 X 1-1/4" HB
8A2088X	GASKET 1" CAMLOCK COUPLER	8A2289	FLANGE M200 X 1-1/2" HB
8A2093	COUPLER 1" CAMLOCK X 1" FPT	8A2290	FLANGE M200 X 2" HB
8A2094	ADAPTER 1.5" CAMLOCK X 1.25" MPT	8A2291	FLANGE M220 X 2" HB FULL PORT
8A2095	COUPLER 1.5" CAMLOCK X 1.5" 90* HB	8A2294	FLANGE TEE M100
8A2098	ADAPTER 1.5" CAMLOCK X 1.5" FPT	8A2295	FLANGE TEE M200 X M200 X M100
8A2102	BUSHING 1-1/2 X 1-1/4"	8A2296	FLANGE TEE M200
8A2103	BARB HOSE 3/4 X 1" MPT	8A2297	FLANGE TEE M220 FULL PORT
8A2105	ELBOW 1-1/4" 90*	8A2298	FLANGE TEE M220 X M220 X M100
8A2106	ELBOW 1" 90*	8A2300	STRAINER 2"-Y FLANGE W/120MESH
8A2107	STREET ELBOW 1" 45*	8A2300A	CAP FLANGE 2" Y-STRAINER
8A2108	ELBOW 1/2" HB X 3/4 MPT	8A2300B	GASKET FLANGE 2" Y-STRAINER
8A2110	ELBOW 1" HB X 1 MPT	8A2300C	BODY FLANGE 2" Y-STRAINER
8A2111	ELBOW 1" HB X 1-1/4" MPT	8A2300D	O-RING STRAINER DRN PLG 1.5-2"
8A2112	ELBOW 1-1/4" HB X 1-1/4" MPT	8A2301	SCREEN 80 MESH BLUE FLNGD 2" Y
8A2114	ELBOW 1-1/2" HB X 1-1/2" MPT	8A2301A	SCREEN 20 MESH FLNGD 2" Y STRNR
8A2115	ELBOW 1-1/2" HB X 2" MPT	8A2302	SCREEN 120 MESH BLACK FLNGD 2" Y
8A2116	ELBOW 2" HB X 2" MPT	8A2303	SCREEN 50 MESH RED FLNGD 2" Y
8A2117	MENDER HOSE 1/4"	8A2308	STRAINER 1"-T FLNGD W/100 MESH
8A2122	MENDER HOSE 3/4"	8A2308D	HEAD 1"-T FLNGD STRNR TJET 04-
8A2123	MENDER HOSE ELBOW 3/4" (A&M)	8A2308E	GASKET 1"-T FLNG STRNR TJET 04-
8A2124	MENDER HOSE 1"	8A2308F	BOWL 1"-T FLNGD STRNR TJET 04-
8A2127	TEE HOSE BARB 3/4"	8A2308G	O-RING 1"-T FLNG STRNR TJET 04-
8A2128	REDUCING NIPPLE 1 X 3/4"	8A2308H	CAP 1"-T FLNGD STRNR TJET 04-
8A2130	REDUCING NIPPLE 1-1/4 X 1"	8A2309	SCREEN 100 MESH GREEN FLNGD 1" T
8A2131	REDUCING NIPPLE 1-1/2 X 1"	8A2310	SCREEN 50 MESH RED FLNGD 1" T
8A2132	REDUCING NIPPLE 1-1/2 X 1-1/4"	8A2312	FLANGE CROSS M100
8A2135	REDUCING NIPPLE 2 X 1-1/2"	8A2314	FLANGE CROSS M220 FULL PORT
8A2136	REDUCING NIPPLE 2 X 1-1/4"	8A2315	FLANGE ELBOW 45 M100
8A2137	PIPE CAP 3/4" FPT	8A2317	FLANGE ELBOW 45 M220
8A2138	PIPE CAP 1" FPT	8A2318	FLANGE ELBOW 90 M100
8A2140	PIPE CAP 1" FPT + 1/4 MPT	8A2320	FLANGE ELBOW 90 M220 FULL PORT
8A2146	CROSS 1"	8A2321	FLANGE ELBOW 90 SHORT M200
8A2203	RAVEN SCS-205 CONTROL L/VALV	8A2324	FLANGE REDUCER M200 X M100
8A2218	FLANGE GASKET DRAIN M200 EPDM	8A2325	FLANGE REDUCER M220 X M200
8A2220	FITTING 1.25X1.5 POLY BTMDRAIN	8A2328	FLANGE REDUCER M300 X M220
8A2222	FITTING 2X2 POLY BOTTOM DRAIN	8A2330	FLANGE PLUG M100
8A2224	FLANGE DRAIN MBF200 BOTTOMTANK	8A2331	FLANGE PLUG M200
8A2226	FLANGE DRAIN MBF300 BOTTOMTANK	8A2331A	FLANGE PLUG M200 W/1/4" FPT
8A2232	FLANGE CLAMP FC100 WORM SCREW	8A2332	FLANGE PLUG M220 FULL PORT
8A2233	FLANGE CLAMP FC200 WORMSCRW 52	8A2335	FLANGE COUPLING M200
8A2234	FLANGE CLAMP FC220 WORMSCRW 56	8A2336	FLANGE PLUG M200 W/3/4" FPT

8A2337	FLANGE COUPLING M220 FULL PORT	8A4471	MOUNTING BRCKT FLOWMETER
8A2340	FLANGE M100 X 3/4" FPT	8A4828	RPR100G ANTENNA/RECEIVER KIT
8A2350	BALL VALVE FLANGE M100 (1")	8C0150	SNAP RING .05" FOR 1-3/16"DIA
8A2354	BALL VALVE FLANGE M200 (2")	8C0202	BEARING INSERT P206 SETSCREW
8A2356	BALL VALVE FLANGE M220 (2"FP)	8C0206	BEARING PILLOWBLCK 1-3/16"TRPL
8A2367	BALL VLV FLNG3WAY2"FULLPORT SL	8C0250	NEOPRENE 1-3/8X 1/2ID- 2" 96-
8A2370	FLANGE QUICK COUPLER MALE M220	8C0270	SPLITSTEELBUSH1.375ODX1"ID-1"
8A2372	FLANGE QUICK COUPLER MALE M300	8C0432	HYD CYLINDER 4" X 32"
8A2424	DPHRGM PRSSR OUTLET FITTINGS	8C0532	HYD CYLINDER 5" X 32" 3500PSI
8A2426	STRAINER 80MESH ARAG HIPRESS	8C0535	SEAL KIT 5 X32"RAM3000&3500PSI
8A2502	TEE 1/2"MP X 1/2"HB CLN LOAD	8C0600	BREATHER BRONZE 1/2" NPT
8A2503	KNIFE VALVE 2"M/F BSP CLN LOAD	8C0650	MANIFOLD BLOCK ALUMINUM 5PORT
8A2503A	KNIFE VALVE HANDLE REPAIR KIT	8C0800	AXLE HD812 2.5"DIA X 13.75" 90-
8A2504	GASKET 2" BSP CLN LOAD	8C1420	PIN 1 X 5-7/8" 22"HTCH 90-
8A2505	DRAIN HEAD 2" CLN LOAD	8C1452	PIN 1 X 6-1/2" CYL DBLWSHR 90-
8A2506	GASKET 2" CLN LOAD	8C1470	PIN 1-1/4 X 14" PIVOT 90-
8A2507	LOCKING RING CLN LOAD	8C1480	PIN 1-1/2 X 11-1/2" KNCKL 90-
8A2508	BOTTLE RINSE HEAD CLEAN LOAD	8C1700	U-BOLT 3/8 X 2 X 4-7/8" SQ
8A2509	GASKET 1" CLEAN LOAD	8C1710	U-BOLT 3/8 X 8 X 9" SQ
8A2510	LID 12" CLEAN LOAD TANK	8C1718	U-BOLT 1/2 X 2-5/8 X 2-5/8" SQ
8A2511	RINSE ASSY TANK CLN LOAD	8C1720	U-BOLT 1/2 X 2-5/8 X 3-3/4" SQ
8A2512	VALVE 1/2" SS CLEAN LOAD	8C1736	U-BOLT 1/2 X 4-1/4 X 5-1/4"RND
8A3000	SKID 15GAL MIX&FILLTNK 3PT&SKD	8C1740	U-BOLT 1/2 X 4-1/4 X 7-1/4"RND
8A3010	BAND 15GAL MIX&FILL TNK COATD	8C1750	U-BOLT 3/4 X 3 X 5-1/2" SQ
8A3100	FLOAT 9/16 X 2" SIGHT TUBE	8C1755	U-BOLT 3/4 X 6 X 6" SQ
8A4005	TUBING REINFRCD EVA/AG200 1/4"	8C1760	U-BOLT 3/4 X 8 X 6" SQ
8A4008	HOSE EPDM AG 200PSI BLACK 1/2"	8C1780	U-BOLT 7/8 X 8 X 10" SQ
8A4010	HOSE EPDM AG 200PSI BLACK 3/4"	8C1800	KNUCKLE 88-1/4 DEG.OFFSET LEFT
8A4014	HOSE PVC YELLOW 600# SPRAY	8C1802	KNUCKLE 88-1/4 DEG.OFFSET RGHT
8A4015	TUBING CLEAR VINYL 3/4" PER FT	8C1805	KNUCKLE 90 DEG.OFFSET MACHINED
8A4020	HOSE EPDM AG 200PSI BLACK 1"	8C1805P	KNUCKLE 90 DEG.OFFSET PAINTED
8A4025	HOSE EPDM AG 200PSI BLCK 1.25"	8C1900	CLAMP 1/2" WIRE ROPE
8A4026	HOSE EPDM AG 200PSI BLACK 1.5"	8C1920	SPRING AFLD CABLE 1.56"OD PNTD
8A4028	HOSE EPDM AG 200PSI BLACK 2"	8C1940	SPRING AFOLD ARM 3.25"OD PNTD
8A4030	HOSE FERTILIZER 1.25" PER FT	8C1950	SPRING AFOLD LOCK 3"OD PNTD
8A4032	HOSE FERTILIZER 1.5" PER FT	8C1970	SPRING ROCK 2.2"OD-10.25" PNTD
8A4035	HOSE FERTILIZER 2" PER FT	8C2200	HITCH 22' (8SQ DRWBR) 90-
8A4037	HOSE FERTILIZER 3" PER FT	8C2210	CENTER 22' HTCH 8"SQ-10' 90-
8A4038	HOSE PVC DISCHRG 1.5" LAYFLAT	8C2246	TRNSPRT LOCK 1/2X3X32"CYL 90-
8A4042	ADHESIVE BACKED CLAMP 5/8"	8C2260	BRCKT CABLE PULL 8"SQ WNG 90-
8A4044	CABLE CLAMP BLACK NYLON 7/8"	8C2270	CABLE GUIDE BRCKT SH+ 02-
8A4048	NYLON TIE .18 X 11"	8C2280	JACK ATTCH BRCKT- WING 97-
8A4050	NYLON TIE .30 X 8-7/8"	8C2300	OSCILLATNG AXLE 614 HFCP 90-
8A4052	NYLON TIE .30 X 15-1/4"	8C2300H	OSCILLATNG AXL 614HD 22HTCH00-
8A4270	440/RADAR INTERFACE DICKEYJOHN	8C2310	OSC AXLE W/614 HUBS HFCP 91-
8A4272	440/RADAR INTERFACE CASE-IH	8C2310H	OSC AXLE W/614HUBS 22HTCH 00-
8A4274	RADAR INTERFACE JD 7-8-9000SER	8C2316	SPACER FLAT1/2X2.5- 8-7/8" 01-
8A4335	CABLE CONSOLE SCS-450 97-	8C2318	SPACR BRCKT HTCH AXL ATTCH 01-
8A4336	CABLE CONSOLE SCS-4400 15'	8C2320	MNT BRCKT 614 OSC AXL HFCP 91-
8A4340	CABLE EXTENSION 12'SCS-450 97-	8C2322H	MNT BRCKT OSCAXL HD22HTCH 00-
8A4345	CABLE FLOW 6' SCS-450 97-	8C2325	PIPE SPACER 1/2"SCH80- 7"00-
8A4347	CABLE FLOW SCS-4400 12' 5BOOM	8C2330	AXLE W/FLAT 614 SNGL HFCP 90-
8A4348	CABLE FLOW SCS-4400 12' 10BOOM	8C2340	AXLE W/614 HUB SNGL HFCP 90-
8A4350P	CONSOLE RAVEN SCS-450 GPS97-	8C2350	AXLE W/FLAT 611 8SQ WING 90-
8A4351	CONSOLE RAVEN SCS-4400 03-	8C2360	AXLE W/611HUB 8SQ WING 90-
8A4355	TRANSDUCER CABLE 44'	8C2420	TRANSPORT AXLE W/O 812HUB 90-
8A4356	CONSOLE TO TRANSDUCER CABL 10'	8C2430	TRANSPORT AXLE W/812 HUB 90-
8A4358	ELECTRONIC PRESSURE TRANSDUCER	8C2450	PIVOT W/ PLATE 812TRNSPRT 90-
8A4360	CABLE GRNSTR TO 4400 RAVEN	8C2500	CABLE ATTCH 22'HTCH U-BLT96-

8C2600	ARM A-FLD LEFT 20&22'HTCH 90-	8C5250	WING PRT1-REAR34-38'HFCP 104"
8C2610	ARM A-FLD RGHT 20&22'HTCH 90-	8C5260	WING PRT1-FRNT34-42'HFCP 104"
8C2620	PIVOT BRCKT A-FLD 22'HTCH 90-	8C5270	WING PRT1-FRNT44' HFCP 145"
8C2650	LOCK ASSY AUTOFLD 22'HTCH 90-	8C5280	WING PRT1-REAR40-44'HFCP 120"
8C2660	BUSHING A-FOLD LOCK- 5/16" 90-	8C5300	WING PRT1-FRNT46-50'HFCP 120"
8C2680	FRONT ATTCH SNGL LONG CABL 90-	8C5310	WING PRT1-REAR46-50'HFCP 120"
8C2690	FRONT ATTCH DUAL CABLE 93-	8C5370	WING PRT1-FRNT/RR 52-64' 145"
8C3100	WINGTUBE10' X 8SQ 30'HP+4RNKSW	8C5402	WING ASSY PRT2 46-56'HFCP62.8"
8C3150	WINGTUBE15' X 8SQ 40'HP+4RNKSW	8C5412	WING ASSY PRT2 58-62'HFCP84.5"
8C3200	WINGTUBE20' X 8SQ 50'HP+4RNKSW	8C5500	AXLE ASSY WING W/O 611HUB 93-
8C3250	WINGTUBE 25' X 8SQ 60' HP 90-	8C5510	AXLE ASSY WING W/611HUB HFCP
8C3300	WINGTUBE28' 11" 8SQ 70HP&72'SH+	8C5600	LIFTARM W/CYL ATCH CNTR HFCP
8C3350	WINGTUBE 35' X 8"SQ 80' HP 90-	8C5650	TRANSPORT LOCK21"(1.75"ROD)91-
8C3500	WINGTUBE15' #1LEFT60&70'4RNKSW	8C5820	STL 1/2 X 5- 7.75"SPRNG MNT00-
8C3510	WINGTUBE15' #1RGHT60&70'4RNKSW	8C5840	PULL FRAME 4' COIL (59") 06-
8C3550	WINGTUBE 10' PRT2 (60')4RNKSW	8C5850	PULL FRAME 5' COIL (71") 06-
8C3600	WINGTUBE 15' PRT2 (70')4RNKSW	8C5860	PULL FRAME 6' COIL (83") 06-
8C4000	LIFT ARM SHRT HRRW PCKR 91-	8C5870	PULL FRAME 7' COIL (95") 06-
8C4010	LIFT ARM LONG HRRW PCKR 91-	8C5910	LINK STRAIGHT 3/4"180*FLD HFCP
8C4020	PIVOT ARM SHRT 3/8" TINE HP 90-	8C5920	LINK CURVED 5/8" 180*FOLD HFCP
8C4040	PIVOT ARM LONG 3/8" TINE HP 90-	8C5980	TUBE W/WSHR 1"IDPRT2FLD HFCP
8C4070	PULLFRAME ADJUSTABLE(3"SQ)HP	8C6000	TUBE 1-5/8ODX 1"ID- 1-1/8" 91-
8C4082	ARM ADJSTBL COIL (FORMED) 92-	8C6010	WASHER 1.03"ID X 3-1/16"ODX1/4
8C4100	BRACE ANGLE 2 X 2- 33-1/4" 91-	8C6015	WASHER 1.53"ID X 3-1/16"ODX1/4
8C4120	BRACE ANGLE 2 X 2- 63-1/4" 91-	8C6110	PIPE TRNSLCK1/2"S80- 4-1/8"99-
8C4410	COIL 4' X 1-3/4" W/SHAFT LEFT	8C6120	FLAT TRNS LCK 3/8X4- 30" 99-
8C4415	COIL 4' X 1-3/4" W/SHAFT RGHT	8C9017	BLADE 3/8X3- 16-3/8" PNTD 06-
8C4510	COIL 5' X 1-3/4" W/SHAFT LEFT	8C9030	FRAME 3"SQ 4' 2" ROLNGCHPR 06-
8C4515	COIL 5' X 1-3/4" W/SHAFT RGHT	8C9035	FRAME 3"SQ 5' 3" ROLNGCHPR 06-
8C4560	COIL 5.5' X 1-3/4" W/SHAFT LEFT	8C9040	FRAME 3"SQ 7' ROLLNGCHPPR 07-
8C4565	COIL 5.5' X 1-3/4" W/SHAFT RGHT	8C9050	REEL ONLY 4' 2" ROLNG CHPR 06-
8C4610	COIL 6' X 1-3/4" W/SHAFT LEFT	8C9055	REEL ONLY 5' 3" ROLNG CHPR 06-
8C4615	COIL 6' X 1-3/4" W/SHAFT RGHT	8C9060	REEL ONLY 7' ROLLING CHPPR 07-
8C4710	COIL 7' X 1-3/4" W/SHAFT LEFT	8CC1000	CYL ATTCH GANG CLTR CHSL 06-
8C4715	COIL 7' X 1-3/4" W/SHAFT RGHT	8CC1020	PIVOTARM CLTRGNG CLTRCHSL 06-
8C5050	CHANNEL HTCH(7D6120)W/HLS 91-	8CC1035	ADJUSTMNT FLAT 1/2X4- 12" 07-
8C5060	DROP EXTNSN HTCH18-32'HFCP06-	8CC1040	LOCK BRCKT 6X4 X 6X4 HTCH 07-
8C5070	EXTENSION HTCH 5'(34-42')HFCP	8CC1050	LOCK BRCKT 6X4 X 8SQ HTCH 07-
8C5080	HITCH TUBE LEFT 20' 18-50'HFCP	8CC1056	TUBE GNG MNT 6X4-56" CLTR06-
8C5084	HITCH TUBE LEFT 24' 52-64'HFCP	8CC1072	TUBE GNG MNT 6X4-72" CLTR06-
8C5090	HITCH TUBE RGHT 20' 18-50'HFCP	8CC1109	TUBE GNG MNT 6X4-109"CLTR06-
8C5094	HITCH TUBE RGHT 24' 52-64'HFCP	8CC1132	TUBE GNG MNT 6X4- 132"DSK 07-
8C5100	EXTENSION HTCH 9'(44-64')HFCP	8CC1152	TUBE GNG MNT 6X4-152"CLTR06-
8C5110	STIFFENER" T" HITCH 52-64' HFCP	8CC1203	TUBE GNG MNT 6X4-203"CLTR 07-
8C5115	STIFFNR FRNT HTCH 52-64'(31")	8CC4000	HITCH NARROW CHSL/CLTRCHSL07-
8C5120	BRACE FRNT CNTR 46-50'(192")	8CC4050	WING PRT1 LEFT32-40"CLTRC 06-
8C5130	BRACE ANGLE LEFT46-50' (32")	8CC4052	WING PRT1 RGHT32-40"CLTRC 06-
8C5132	BRACE ANGL LEFT 52-64' (72")	8CC4140	LIFTARM 16'&20' CLTRCHSL 07-
8C5135	BRACE ANGLE RGHT 46-50' (32")	8D0302	PIN 1-3/16 X 7-1/4" 80-08
8C5137	BRACE ANGL RGHT 52-64' (72")	8D0312	CLEVIS FOR EYE-EYE CABLE 99-
8C5140	STOP WING (U-BLT) 46-62' HFCP	8D0330	U-BOLT 5/8 X 6-1/16 X 5-5/8"SQ
8C5156	COIL ATTCH RRCNTR52'+HFCP 06-	8D0340	U-BOLT 3/4 X 4 X 7-3/4" SQ
8C5160	BRACE ANGLE2.5X2.5X1/4-48"HFCP	8D0350	U-BOLT 3/4 X 4 X 10" SQ
8C5170	CROSSBRACE FRNTGAUGWHL(61.5")	8D0490	PIN 1-1/4 X 7-1/2" (1"-8NC)ZDI
8C5180	CROSSBRACE MDDLGAUGWHL(43.5")	8D0620	KNUCKLE CAST W/ZRKS 6X4 DRWBR
8C5190	CROSSBRACE W/CYLATCH 46-50'	8D0675	LIFT ARM CULTI-HRRW 54" 80-08
8C5192	CROSSBRACE W/DBL CYL 52-64'	8D0720	HITCH PIECE CAST CAT.3CTD PNTD
8C5200	WING PRT1-REAR 26-32'HFCP 63"	8D0722	PERFECT HTCH BACKSTOP W/HDWE
8C5210	WING PRT1-FRNT 26-32'HFCP 63"	8D0724	CLEVIS OPT.HITCH CAT.3CTD99-

8D0730	URETHANE CUSHION PERFCTHTCH	8D3036	WHEEL 15 X 10" 6 BOLT
8D0750	PIN 1-1/4 X 9-1/2" (1"-8NC)ZDI	8D3040	WHEEL 16.1 X 11" 6 BOLT -08
8D1160	AXLE H611 STR 1-7/8 X 9-1/4"	8D3045	TIRE 31X13.5-15" 8PLY TUBELESS
8D1168	AXLE H517 2"HR X 7-3/4" 06-	8D3046	31 X 13.5"8PLY ON 15X10X6WHEEL
8D1220	TRANS AXLE W/H611 HUB LEFT-08	8D3047	WHEEL 16 X 8" 8 BOLT
8D1220S	TRANSAXLE W/H611HUBLEFTSHRT-07	8D3048	LT265/75R16 LIGHT TRCK RADIAL
8D1221	TRANS AXLE W/H611 HUB RGHT -08	8D3049	LT265/75R16 RAD ON 16X8X8 WHL
8D1221S	TRANSAXLE W/H611HUBRGHTSHRT-07	8D3050	WHEEL 16.1 X 14" 8 BOLT
8D1236	PIN 1-1/4 X 9-1/2" HWNG&LR 01-	8D3051A	TIRE 16.5LX16.1" 14 PLY TL
8D1242	PIN 1-1/4 X 11-1/2" HWNG 01-	8D3053	16.5LX16.1 14PL ON 16.1X14X8WH
8D1615	PIN 1-3/16 X 9-1/2" 80-08	8D3130	U-BOLT 3/8 X 1-3/4 X 2-1/2"RND
8D1650	PIN 1-3/4 X 9-3/4" CR 81-08	8D3150	U-BOLT 1/2 X 3 X 7-1/4" SQ
8D1660	PIN 1-3/4 X 12-1/4" HARDND 99-	8D3152	U-BOLT 1/2 X 3-3/8 X 7-1/4" SQ
8D1700	SPRING PRESSURE ASSY-CULTHRRW	8D3212	MALE TIP 3/4"-16 ORB ISO
8D1702	SPRING PRESSURE ASSY-ADJUSTABL	8D4020	CABLE 1/4X13' 16HTCHAFLD 84-07
8D1710	EYE BOLT SHORT 7/16" DIA -08	8D4024	CLAMP CABLE 1/4" MALLEABLE 84-
8D1720	EYE BOLT LONG 1/2" DIA -08	8D4026	THIMBLE CABLE 1/4" HVYDUTY 84-
8D1730	SPRING PRESS 3/8"C-HRRW OPT-08	8D5114	BOLT WHEEL 1/2-20 UNF
8D1740	PIPE 1/2" SCH80- 2-1/8"W/WSHR-08	8D5117	BEARING413 511 517&611 LM67048
8D1750	PIPE 1/2" SCH80- 1-1/4" -08	8D5120	SEAL 1-1/2" ID H413&H511 SE11
8D1751	PIPE 1/2" SCH80- 2-1/8" -08	8D5210	HUB H517 W/STUDS CUPS&ZRK GBGI
8D1760	CABLE 3/8 X 312 E-E SH+ REAR	8D5212	NUT 7/8"-14NF HEX SLOT GR2 PLN
8D1770	CABLE 1/2 X 30.5"EYE-EYE 99-	8D5213	HUB CAP H517 & H611
8D1800	CABLE 1/2 X 149"E-E PLUS CHAIN	8D5214	NUT 1/2"-20UNF WHEEL
8D1810	CABLE 1/2 X 161"E-E PLUS CHAIN	8D5215	STUD WHEEL 1/2-20 UNF X 1-7/8
8D1820	CABLE 1/2 X 178"E-E PLUS CHAIN	8D5217	BEARING IN 517 OUT 614 & 618
8D1830	CABLE 1/2 X 193"E-E PLUS CHAIN	8D5219	WASHER 7/8" AXLE
8D1840	CABLE 1/2 X 214"E-E PLUS CHAIN	8D5220	SEAL 1.70" ID OLD H517&H611
8D1850	CABLE 1/2 X 227"E-E PLUS CHAIN	8D5221	SEAL 1.75" ID H611 SE13
8D1860	CABLE 1/2 X 246"E-E PLUS CHAIN	8D5234	SEAL RETAINER GBGI HA517-7
8D1870	CABLE 1/2 X 262"E-E PLUS CHAIN	8D5236	SEAL COUNTERFACE GBGI HA517-7
8D1880	CABLE 1/2 X 281"E-E PLUS CHAIN	8D5238	SEAL GBGI FOR CTD HA517-7 HUB
8D1890	CABLE 1/2 X 295"E-E PLUS CHAIN	8D5311	HUB H611 W/CUPS & ZERK 6 BLT
8D1900	CABLE 1/2 X 324"E-E PLUS CHAIN	8D5312	NUT 1"-14TPI HEX SLOT GR2 PLN
8D1910	CABLE 1/2 X 341"E-E PLUS CHAIN	8D5314	NUT 1-1/4"-12 HEX SLOT GR2 PLN
8D1920	CABLE 1/2 X 370"E-E PLUS CHAIN	8D5317	BEARING INNER 611 LM29749
8D1930	CABLE 1/2 X 383"E-E PLUS CHAIN	8D5319	WASHER 1" AXLE
8D1940	CABLE 1/2 X 401"E-E PLUS CHAIN	8D5332	RACE H517 & H614 LM48510
8D1950	CABLE 1/2 X 450"E-E PLUS CHAIN	8D5334	RACE INNER H611 LM29710
8D1960	CABLE 1/2 X 485"E-E PLUS CHAIN	8D5336	RACE H511 H517 & H611 LM67010
8D1970	CABLE 1/2 X 521"E-E PLUS CHAIN	8D6350	SPINDLE W/PLATE HTCH(611)78-08
8D1980	CABLE 1/2 X 581"E-E PLUS CHAIN	8D6351	SPINDLE W/PLATE WING(611)78-08
8D1990	CABLE 1/2 X 611"E-E PLUS CHAIN	8D6355	SPINDLEW/611HB HTCH16/20 78-08
8D2000	CABLE 1/2 X 661"E-E PLUS CHAIN	8D6356	SPINDLEW/611HB WNG 6X4DBR78-08
8D2100	CHAIN 6 LINK CASE HARDND-12.5"	8D8490	PIONEER/ISO TIP HLDR BNT 97-
8D2210	CHAIN 8 LINK CASE HARDEND-17"	8D8492	PIONEER/ISO TIP HLDR STRT05-08
8D2300	CHAIN 9 LINK SECTION LIFT-19"	8D8500	HYD HOSE HOLDER PNTD BLK 91-
8D2400	CHAIN 3 LINK .625"DIA. ALLOY Z	8D8520	JACK SPOOL 2OD X1.5"ID-1 7/8"
8D2410	CHAIN 9 LINK .625"DIA. ALLOY Z	8D8521	JACK SPOOL 3 X 2.56- 1-29/32"
8D2440	SAFETY CHAIN 11000# 8MM X 84"	8D8521L	JACK SPOOL 3 X 2.56- 4-1/4"99-
8D2460	SAFETY CHAIN 20200# 3/8" X 4'	8D8521U	JACK SPOOL 3 X 2.56- 2-1/2"00-
8D2470	SAFETY CHAIN 30400# 7/16" X 5'	8D8522	JACK 5000# TOP CRANK 15"LIFT
8D2730	PIN 1 X 2-3/4" CABLE PLATED	8D8523	JACK 8000# DROPLEG 5/8X4.25PIN
8D2994	VALVE TIRE TR-801HP-.625"HOLE	8D8535	JACK 2000# SIDE CRANK 15"LIFT
8D3011	TIRE/WHEEL 4BLT 4.80-8 LOAD C	8D9090	HYD CYLINDER 2.5 X 14" PRINCE
8D3016	TIRE 7.60 X 15" 8PLY TUBELESS	8D9092	SEAL KIT PRINCE 8D9090/BA-0671
8D3030	WHEEL 15 X 6" 6 BOLT	8D9093	HYD CYLINDER 3 X 14" PRINCE
8D3031	7.60X15 8PLY ON 15X6X6 WHEEL	8D9094	SEAL KIT PRINCE 8D9093/BE-0454
8D3035	WHEEL 15 X 8" 6 BOLT-VLV GRD	8D9095	HYD CYLINDER 1.5X4"PRINCE

8D9096	PIN PACK FOR 8D9095	8F3417T	TIP TWINJET TJ60-8003 BLUE
8D9102	PIN 1 X 4" CYL CTTR OR HAIRPIN	8F3419C	TIP/CAP COMBO XRC8004VS RED
8D9107	SEAL KIT PRINCE 8D9109/BG-0341	8F3421C	TIP/CAP COMBO XRC8005VS BRWN
8D9108	ROLL PIN 1/4 X 2" YLW ZNC	8F3423C	TIP/CAP COMBO XRC8006VS GRAY
8D9109	HYD CYLINDER 4.0" X 6" BLK	8F3425X	TIP TEEJET XR 8008VS WHITE
8D9110	HAIR PIN CLIP LARGE(1"CYL PIN)	8F3511T	TIP TEEJET TT 11001VP ORANGE
8D9111	SEAL KIT PRINCE 8D9112/BA-0669	8F3511X	TIP TEEJET XR 11001VS ORANGE
8D9112	HYD CYLINDER 3.0" X 6"	8F3513T	TIP TEEJET TT 110015VP GREEN
8D9113	HYD CYL 2.5X8"W/3.75"STOP TUBE	8F3513X	TIP TEEJET XR 110015VS GREEN
8D9115	HYD CYL 2.5X8"W/3.75"STOP TUBE	8F3515T	TIP TEEJET TT 11002VP YELLOW
8D9116	HYD CYL 2.5X8"SP W/DEPTH CNTRL	8F3515X	TIP TEEJET XR 11002VS YELLOW
8D9118	HYD CYL 2.5X8"SP W/O DPTH CNTRL	8F3516A	TIP/CAP COMBO AIC110025VS PURP
8D9119	SEAL KIT2.5X8PRINCE2500PSI -93	8F3516C	TIP/CAP COMBO XRC110025VS PURP
8D9119A	SEAL KIT2.5X8&30PRNC3000PSI94-	8F3517C	TIP/CAP COMBO XRC11003VS BLUE
8D9120	HYD CYLINDER 2.5X30"(1.25"ROD)	8F3517T	TIP TEEJET TT 11003VP BLUE
8D9121	HYD CYLINDER 2.5 X 30"ULT99-	8F3519C	TIP/CAP COMBO XRC11004VS RED
8D9122	SEAL KIT PRINCE 8D9121/BA-0670	8F3519T	TIP TEEJET TT 11004VP RED
8D9130	SEAL KIT 2.5 X 8" LION/MONARCH	8F3521C	TIP/CAP COMBO XRC11005VS BRWN
8D9140	SEAL KIT RUGBY 2508	8F3521T	TIP TEEJET TT 11005VP BROWN
8D9180	CLEVIS 2.5 X 8" PRINCE 9108	8F3601	CAP BLACK FLOODJET Q-JET
8D9192	DEPTH CONTROL ASSY PRINCE ALL	8F3813	CLAMP MNT 1" PIPE Q-JET
8D9211	SEAL KIT 3" PRINCE(8D9214) -02	8F3816	CLAMP MNT 1-1/4" SQUARE Q-JT
8D9213	SEAL KIT PRINCE 8D9215/BA-0672	8F3818	CLAMP MNT 1-1/2" SQUARE Q-JT
8D9215	HYD CYLINDER 3" X 16" 26.5C-C	8F3820	NOZZLE 3 HEAD PIN WHEEL 1"PIPE
8D9215A	CYLINDER CLEVIS FOR 8D9215	8F3822	NOZZLE 5 HEAD PIN WHEEL 1"PIPE
8D9215B	PISTON ROD BA0672 1.375X17"	8F3826	NOZZLE 3 HEAD TURRET 1" PIPE
8D9216	HYD CYLINDER 3" X 16" 3000PSI	8F3830	NOZZLE 1 HEAD QUICKJET 1" PIPE
8D9217	SEAL KIT RAM 3" CYL 99-99	8F3831	NOZZLE 3 HEAD 1BARB 1/2"DRY QJ
8D9218	SEAL KIT3X16PRINCE 2500PSI -93	8F3832	NOZZLE 3 HEAD 2BARB 1/2"DRY QJ
8D9218A	SEAL KIT3X16PRINCE3000PSI94-96	8F3851	NOZZLE 1 HEAD 1BARB 1/2"DRY QJ
8D9250	SEAL KIT 3 X16"LION/MONRCH 95-	8F3852	NOZZLE 1 HEAD 2BARB 1/2"DRY QJ
8D9316	HYD CYLINDER 3.5 X 16" 3000PSI	8F3853	NOZZLE 1 HEAD 3BARB 1/2"DRY QJ
8D9350	SEAL KIT 3.5X16LION/MONRCH 95-	8F3861	CAP BLACK TEEJET Q-JET
8D9416	HYD CYLINDER 4" X 16" 3000PSI	8F3866A	CAP AI/TWINJET BLACK
8D9418	SEAL KIT4X16&32PRNC2500PSI -93	8F3881	DIAPHRAGM 1-1/32"OD SWIVEL JET
8D9418A	SEAL KIT4X16&32PRNC3000PSI 94-	8F3887	UPPER CLAMP 1"HYPRO PN WHL NOZ
8D9466	HYD CYL 4.5" X 16" 3500PSI 99-	8F3887A	O-RING HYPRO PIN WHEEL NOZZLE
8D9468	SEAL KIT 4.5 X 16"3000&3500PSI	8F3887B	DIAPHRAGM NUT ONLY HYPRO BLK
8D9516	HYD CYLINDER 5" X 16" 3000PSI	8F3887C	CLIP HYPRO PIN WHEEL NOZZLE
8D9518A	SEAL KIT5X16"PRINCE3000PSI 94-	8F3887D	SEAL HYPRO PNWHL OUTLET
8F0530	TANK 300 GAL 38" RND 3 PNT	8F3887E	O-RING HYPRO PNWHL OUTLET
8F0540	TANK 350 GAL LOPRO-REAR SUMP	8F3887F	O-RING HYPRO TURRET SEAL
8F0550	TANK 350 GAL LOPRO-CNTR SUMP	8F3888B	SHUT OFF CAP NW HYPRO 10PSIRED
8F0570	TANK 500 GAL LOPRO-CNTR SUMP	8F3888C	SHUT OFF CAP NW HYPRO 20PSIGRY
8F1810	SPRING CONTROL SWNG ARM PNTD	8F3888D	SHUT OFF CAP NW HYPRO 25PSIBLU
8F3116	O-RING SPRAYBALL SEAL	8F3890	DIAPHRAGM EPDM HYPRO SHUTOFF
8F3117	EXTENSION 2-1/2" SPRAYBALL	8F3891	SCREW&NUT CLMP HYPRO PNWNZ
8F3118	SPRAY BALL TANK RINSE 1" FPT	8F3892	GASKET EPDM Q-JET TIP SEAT
8F3120	SPRAY NOZ TANK RINSE 3/4"	8F3896	DIAPHRAGM EPDM RUBBER Q-JET
8F3305	CLAMP NOZZLE 1-1/4" SQUARE	8F3898	DIAPHRAGM CAP ASSY 10PSI QJ
8F3308	BLANK PLUG TIP BRASS	8F3912	NOZZLE ELBOW 1/2" BRASS
8F3324	SCREEN 50 MESH TEEJET RED POLY	8F3913	STREET ELBOW 1/4" BRASS
8F3326	SCREEN 100MESH TJET GREEN POLY	8F3913A	STREET TEE 1/4" BRASS
8F3411X	TIP TEEJET XR 8001VS ORANGE	8F3914	FEMALE ELBOW 1/4" BRASS
8F3413A	TIP/CAP COMBO AIC110015VS GRN	8F3915	NIPPLE 1/4" BRASS 91-
8F3413C	TIP/CAP COMBO XRC80015VS GRN	8F3915A	NIPPLE 1/8" BRASS
8F3415A	TIP/CAP COMBO AIC11002VS YLLW	8F3916	OUTLET ADAPTER 1/4" BRASS
8F3415C	TIP/CAP COMBO XRC8002VS YLLW	8F3917	BARB HOSE 1/4 X 1/8" MPT BRASS
8F3417C	TIP/CAP COMBO XRC8003VS BLUE	8F3917A	ELBOW 1/4" HB X1/8" MPT BRASS

8F3917C	QUICK DISCONNECT COUPLER 1/4HB	8F9836	FILTER IN TANK SUCTION
8F3917D	QUICK DISCONNECT ADAPTER 1/8MP	8F9838	SOLENOID 3-WAY FOAM MARKER
8F3918	VALVE 1/4" M-NPT BRASS	8F9840	HARNESS W/SWITCH FOAM MARKR
8F3918A	VALVE 1/4"FPT X 1/4"MPT BRASS	8F9841	15' EXTENSION CABLE
8F3919	VALVE 1/8" F-NPT CHROMD BRASS	8F9842	SWITCH ONLY FOAM MARKER
8F3919A	DRAIN COCK 1/8" MPT BRASS	8F9844	"Y" HOSE ASSY FOAM MARKER
8F3919D	VALVE 1/2"MPT X 1/2"FPT CHROME	8F9850	MNTNG BRCKT SWITCH FOAM/REMOTE
8F3919F	VALVE 1/8"FPT X 1/8"MPT CHROME	8G0002	FLAT 3/8X3- 15-1/2" W/HLS 92-
8F3920	SWIVEL NOZZLE SINGLE Q-JET	8G0004	FLAT 1/4 X 3 - 6-7/16" 94-
8F3921	BUSHING BRASS1/8"FPT X 1/4"MPT	8G0005	FLAT 3/8 X 1-1/2- 6-3/4" 00-
8F3922	BARB HOSE 1/2"X1/2" MPT BRASS	8G0007	FLAT 3/8X2- 15.38" L ULT 05-
8F3923	ELBOW 1/2" HB X 1/2" MPT BRASS	8G0011	BRACKET GREENSTAR FLEXBOX COVR
8F3930	TIP TEEJET OFF-CNTR OC02 BR	8G0012	BRACKET SPRAYER BV MNT 07-
8F3932	TIP TEEJET OFF-CNTR OC03 BR	8G0014	STRIKER ROD 1.25X7.5" PNTD99-
8F3934	TIP TEEJET OFF-CNTR OC04 BR	8G0022	BRCKT SNGL BLVLVE P/C ULT 04-
8F3936	TIP TEEJET OFF-CNTR OC06 BR	8G0024	TUBE 2 X 1ID- .56" SPACER 08-
8F3938	TIP TEEJET OFF-CNTR OC08 BR	8G0202	TUBE 1.25X.76ID- 2-5/8"SPCR97-
8F3940	TIP TEEJET OFF-CNTR OC12 BR	8G0204	TUBE SQ 3/4 X 14GA- 17.5" 98-
8F3942	TIP TEEJET OFF-CNTR OC16 BR	8G1830	HOOK HOSE HAND GUN 1/2 X 13.5"
8F5360	PUMP ONLY 1.5 X 1.25" GAS ENG	8G2016	BREAKAWAY BOOM W/TUBE GREEN
8F5362	PUMP ONLY 1.5 X 1.5" GAS ENG	8G2023	BREAKAWAY CAST CNTR W/FLAT4.5"
8F5364	PUMP ONLY 2 X 1.5" GAS ENGINE	8G2027	BRKAWAY CAST CNT W/FLT ADJ4.5"
8F5366	PUMP ONLY 2 X 2" SP GAS ENGINE	8G2041	SPRING BFS A HD 1.6 X 16" GALV
8F5374	SEAL VITON FG460V5 SCOT	8G2050	SPRING BOOM BREAK-AWAY PNTD
8F5376	O-RING CASING 420&460 SCOT	8G2055	SPRING BREAKAWAY LONG PNTD
8F5378	FLINGER FG460V5 SCOT	8G2056	SPRING PART1 BOOM CUSHION BLK
8F5382	SHAFT SLEEVE FG460V5 SCOT	8G2060	WASHERGUIDE SPRING .75"ID 84-
8F5386	IMPELLER FG460V5 SCOT	8G2064	WASHERGUIDE SPRING 1.25"ID
8F5390	REPAIR KIT VITON FG420V8 SCOT	8G2070	BUMPER THERMOPLASTIC
8F5391	SEAL ONLY VITON FG420V8 SCOT	8G2080	RUBBER ENGINE MNT 1.5"OD W/HL
8F5392	IMPELLER FG420V8 SCOT	8G2160	SWING ARM (3/4"ID) 83-
8F5393	CASING FG420V5 SCOT	8G2200	JACK LEG SKID SPRAYER 83-
8F5394	ADAPTER FG420V5 SCOT	8G2240	SPACER BLOCK SKID KNOCKON89-
8F5756	ENGINE 5.5HP HONDA ROPE START	8G2280	VALVE BRCKT SKID BTMFL 85-
8F5756E	ENGINE 5.5HP HONDA ELEC START	8G2281	NYLON TIE .187 X 7-1/2" BROWN
8F5760	ENGINE 8HP HONDA ROPE START	8G2282	NYLON TIE .187 X 7-1/2" RED
8F5761	ENGINE 9HP HONDA W/CYCLONE	8G2283	NYLON TIE .187 X 7-1/2" ORANGE
8F5761E	ENGINE 9HP HONDA ELEC START	8G2284	NYLON TIE .187 X 7-1/2" YELLOW
8F8710	SPRAY GUN GUNJET #2-45-BR	8G2285	NYLON TIE .187 X 7-1/2" GREEN
8F8712	RINSE GUN GUNJET 43L-AL-8	8G2286	NYLON TIE .187 X 7-1/2" BLUE
8F8712A	ALUMINUM INLET BODY WASH GUN	8G2380	CONTROL BOX LESS COVER TL/EEN
8F8754	ORIFICE DISK(AY-HSS 45)HANDGUN	8G2384	COVER PLAIN TIPLFT/DBL EEN BOX
8F8790	SWIVEL CONNECTOR 3/4" GHT	8G2386	SCREW SHEETMTL PPH #6 X 3/8" Z
8F8792	SWIVEL CONNECTOR 1/2" MXF-NPT	8G2390	MNTNG BRCKT TIPLFT/2X EEN BOX
8F9274N	FITTING 1/2 HB X GHT M POLY	8G2540	CORRUGATED LOOM .50" ID
8F9410	HOSE APPLICATOR 3/8" PER FT	8G2542	CLIP CORRUGATED LOOM
8F9703	TEE 1/2 X 1/2 X 3/4" HB POLY	8G2544	OUTLET CORRUGATED LOOM
8F9704	TEE 1/2 X 1/2 X 1/2" HB NY	8G4224	SWINGARM CNTRL 1.25"SQ 83-
8F9810	TANK 25 GALLON FOAM	8G4230	TEE HANDLE 7/16"NC 83-
8F9812	PUMP FOAM MARKER	8G4280	END STOP TUBE ASSY 83-
8F9814	COMPRESSOR HIGH VOLUME	8G5160	BASE CNTRL SWNGARM MIDMNT90-
8F9816	COLLECTOR BOOT FOAM MARKR	8G5185	VERTICAL UPRIGHT ASSY LT 95-
8F9818	COLLECTOR SOCK FOAM MARKR	8G5195	VERTICAL UPRIGHT ASSY RT 95-
8F9820	FOAM CHAMBER FOAM MARKER	8G5200	BRCKT TRNS ADJ W/JCKATTCH 83-
8F9822	CHAMBER MOUNTING BRACKET	8G7390	BRACKET TRUCK CLEAN H20 95-
8F9826	FILTER WHITE COMPRESSOR	8G8000	POLY BOOM PROTECTR FOR 1"SQ-6"
8F9830	6" SQUARE COMPRESSOR FILTER	8G8010	U-BOLT 3/8 X 1-5/16 X 2-1/4"SQ
8F9832	NEEDLE VALVE FOAM MARKER	8G8018	U-BOLT 3/8 X 6-1/16 X 4" SQ
8F9834	HOSE 1/4" CLEAR	8G8020	U-BOLT 3/8 X 2-9/16 X 3-1/2"SQ

8G8022	U-BOLT 1/2 X 4 X 3-1/8" SQ	8H2010	PIPE SPACER 3/4 X 1-1/2" 88-
8G8211	HUB HDA211 W/CUPS&ZRK 4BLT	8H2040	1ST PIPE W/LVR 4.5'3OR4BAR M94
8G8213	DUST CAP H211	8H2042	2ND PIPE W/LVR 4.5'3OR4BAR M94
8G8217	BEARING INNER & OUTER HDA211	8H2044	3RD PIPE W/LVR3BR4.5'M94 88-00
8G8220	SEAL H211	8H2045	3RDPPIPE W/L3BR4.5'M94QADJ02-
8G8230	RACE INNER & OUTER H211 L44610	8H2060	1ST PIPE W/LVR 6' 3OR4BAR M94
8G9220	BRACKET DIRECTO/RADAR MNT93-	8H2062	2ND PIPE W/LVR 6' 3OR4BAR M94
8G9230	BRACKET TRUCK RADAR MNT 98-	8H2064	3RD PIPE W/LVR3BR 6' M94 88-00
8G9232	BRCKT ULT/RA RADAR MNT 98-	8H2065	3RDPPIPE W/L3BR 6' M94QADJ02-
8H0232	FLAT 5/16 X 1.5 - 47.5" (5')	8H2076	3RD PIPE W/LEVR 4.5' 4BAR M94
8H0260	FLAT 5/16 X 1.5 -18.5"CULTI	8H2078	4TH PIPE W/LVR4BR4.5'M94 88-00
8H0350	U-BOLT 1/2 X 2 X 3" RND	8H2079	4THPIPE W/L4BR4.5'M94QADJ02-
8H0370	FLAT 5/16X1.5- 57" (5 BR)	8H2086	3RD PIPE W/LEVER 6' 4BR M94
8H0390	PIPE 1/2" SCH 80- 1" (5 BR)	8H2088	4TH PIPE W/LVR4BR 6' M94 88-00
8H0410	SIDE ANGLE LEFT 5 BAR 79-	8H2089	4THPIPE W/L4BR 6' M94QADJ02-
8H0411	SIDE ANGLE RGHT 5 BAR 79-	8H2094	1ST PIPE W/LVR 7.5'3OR4BAR M94
8H0641	1ST PIPE W/LEVER 5' 5 BAR	8H2096	2ND PIPE W/LVR 7.5'3OR4BAR M94
8H0642	2ND PIPE W/LEVER 5' 5 BAR	8H2098	3RD PIPE W/LVR3BR7.5'M94 91-00
8H0643	3RD PIPE W/LEVER 5' 5 BAR	8H2099	3RDPPIPE W/L3BR7.5'M94QADJ02-
8H0644	4TH PIPE W/LEVER 5' 5 BAR	8H2100	STL 5/8 X 4- 8-3/8" PNTD 88-
8H0645	REAR PIPE W/LEVER 5' 5 BAR	8H2107	3RD PIPE W/LEVR 7.5' 4BAR M94
8H0721	PIPE 1.9"- 77" W/HO PNTD -08	8H2108	4TH PIPE W/LVR4BR7.5'M94 91-00
8H0731	PIPE 1.9"- 91" W/HO PNTD -08	8H2114	4THPIPE W/L4BR7.5'M94QADJ02-
8H0741	PIPE 1.9"-105" W/HO PNTD -08	8H2120	MOUNTING BRCKT M94/104/106
8H0749	PIPE 1.9"-119" W/HO PNTD -08	8H2130	ADJ NUT W/WLDD SPRNG 3/4 88-
8H0751	PIPE 1.9"-133" W/HO PNTD -08	8H2132	CARRIER ARM 34" M94/104/106
8H0755	PIPE 1.9"-147" W/HO PNTD -08	8H2142	CARRIER ARM 42" M94/104/106
8H0761	PIPE 1.9"-161" W/HO PNTD -08	8H2144	CARRIER ARM 52" M94/104/106
8H0771	PIPE 1.9"-175" W/HO PNTD -08	8H2150	CROSS TUBE W/FLAT 4.5' M94
8H1110	HARROW TOOTH 3/8X 14"CULTIHRRW	8H2160	CROSS TUBE W/FLAT 6' M94
8H1110S	HARROW TOOTH 3/8X 14"CULTI STR	8H2170	CROSS TUBE W/FLAT 7.5' M94
8H1140	HARROW TOOTH 3/8 X 16" M64&74	8H2180	CLIPW/PVT LCKUP CAST DRLD&PNTD
8H1140S	HARROW TOOTH 3/8X 16"M64&74STR	8H2190	HANDLE W/PIN AUTOLCKUP 94-106
8H1150	HARROW TOOTH 3/8 X18.5" M94	8H2315	EXTENSN MNT ARM 6" M94/04/06
8H1150S	HARROW TOOTH 3/8 X18.5"M94 STR	8HD0064	SPRING FLAT 3/4X1-3/4- 60"PNTD
8H1180S	HARROW TOOTH 1/2 X 20" M104/SH	8HD0080	PIPE CLAMP 2-1/2" ID PLATED Z
8H1190S	HARROW TOOTH 9/16X 26"M106/SH+	8HD0150	PIN ADJSTMNT 5/8X9.75"ZDI95-
8H1280	SPRING EXTENSION 1"OD X 4"LONG	8HD0160	SPRING TINE ADJ.COMP.ZINC95-
8H1304	SPRING HEAVY 1"ID- 2.875" PNTD	8HD0200	U-BOLT 1/2 X 2-3/8X 3-9/16"RND
8H1306	SPRING MEDIUM 1.5"OD-15" 50#1"	8HD0510	PIPE SPACER 3/4 X 2-3/4" 93-
8H1311	SUPPORT ROD WLDD ASSY 3/4 79-	8HD0520	TUBE 1-1/4X .76ID- 2-3/4" 95-
8H1320	COLLAR ADJUSTMENT 79-	8HD0532	ADJUSTMNT BAR3/8X2X19"FRNT93-
8H1325	CAST SWIVEL 3/4X3/4 MNTD ATTCH	8HD0540	CONNECTNG BAR 3/8X2X49-1/2"93-
8H1327	CAST SWIVEL 3/4X7/8 MNTD ATTCH	8HD0550	STOP/MNT BRCKT SPRING FLAT 93-
8H1330	SIDE PLATE 3BR M74-94 LEFT79-	8HD0591	1ST PIPE W/LVR 6'5BAR SH93-
8H1331	SIDE PLATE 3BAR RGHT M94 02-	8HD0591L	1ST PIPE W/LEFT LVR-HYD 96-
8H1332	SIDE PLATE 4BR M74-94 LEFT85-	8HD0592	2ND PIPE W/LVR 6'5BAR SH93-
8H1333	SIDE PLATE 4BR RGHT M94 02-	8HD0592L	2ND PIPE W/LEFT LVR-HYD 96-
8H1380	CONN BAR 5/16X1.5-25.5"4BR 82-	8HD0593	3RD PIPE W/LVR 6'5BAR SH93-
8H1384	ADJ BAR 5/16X 1.5- 16" M94 02-	8HD0593L	3RD PIPE W/LEFT LVR-HYD 96-
8H1392	SUPPORT ROD ASSY M94/04/06	8HD0594A	4TH PIPE W/LVR 6'SPRING 95-
8H1498	SPACER TUBE 4 X 3 X5T- 5"	8HD0594L	4TH PIPE W/LEFT LVR-HYD 96-
8H1499	SPACER TUBE 4 X 2 X4T- 5"	8HD0595A	REAR PIPE W/LVR 6'SPRING 95-
8H1504	SPACER TUBE 4 X 4 X4T- 5"	8HD0595L	REAR PIPE W/LEFT LVR-HYD 96-
8H1510	MNT PLATE(FLAT1/2X5-10") 6"MAX	8HD5052	1ST PIPE W/LVR 6'104/6 3OR4BR
8H1520	MNT BRACKET SHORT (13") UNIV	8HD5054	2ND PIPE W/LVR 6'104/6 3OR4BR
8H1522	MNT BRACKET SHORT (20") HI-CLR	8HD5056	3RD PIPEW/LVR 6'104/6 3BR93-00
8H1530	MNT BRACKET LONG (25") UNIV	8HD5056Q	3RD PIPE/LVR6' 3BR104/6QADJ00-
8H1532	MNT BRACKET LONG (29") HI-CLR	8HD5057	3RD PIPEW/LVR 6' 104/6 4BR 98-

8HD5058	4TH PIPEW/LVR 6'104/6 4BR98-00	8HD7148	ROCKSHAFT 4SQX6T- 156"HYDTINE
8HD5058Q	4TH PIP/LVR6' 4BR104/6 QADJ02-	8HD7160	ROCKSHAFT 4SQX6T- 228"HYDTINE
8HD5072	1ST PIPE W/LVR 8' 104/6 3OR4BR	8HD7172	ROCKSHAFT 4SQX6T- 300"HYDTINE
8HD5074	2ND PIPE W/LVR 8' 104/6 3OR4BR	8HD7184	ROCKSHAFT 4SQX6T- 372"HYDTINE
8HD5076	3RD PIPEW/LVR 8'104/6 3BR93-00	8J0190	SCRAPER FLAT SUPRCOULTR 00-
8HD5076Q	3RD PIP/LVR8' 3BR104/6 QADJ00-	8J0200	MNT FLAT SCRAPER SPRCLTR 00-
8HD5077	3RD PIPEW/LVR 8' 104/6 4BR 98-	8J1020	COULTR BLADE 8 WAVE.256X20"08-
8HD5078	4TH PIPEW/LVR 8'104/6 4BR98-00	8J1022H	COULTR BLADE 13WAVE.256X22"04-
8HD5078Q	4TH PIP/LVR8' 4BR104/6 QADJ02-	8J1023H	COULTR BLADE FLAT.256X22"04-
8HD5082	1ST PIPE W/LVR10' 104/6 3OR4BR	8J1027H	COULTR BLADE TURBO.256X22"05-
8HD5084	2ND PIPE W/LVR10' 104/6 3OR4BR	8J1038	COULTR BLADE 8 WAVE.197X18"08-
8HD5086	3RD PIPEW/LVR10'104/6 3BR93-00	8J2100	TWIN COULTR ATTCH WLDMNT 07-
8HD5086Q	3RDP/IP/LVR10' 3BR104/6 QADJ00-	8J2150	BEARING INS P206 REV OUT. RING
8HD5087	3RD PIPEW/LVR10' 104/6 4BR 98-	8J3002	SPOOL 2" SPACR WELDED CLTR 06-
8HD5088	4TH PIPEW/LVR10'104/6 4BR98-00	8J3010	SPOOL 10" FULL WELDED CLTR 00-
8HD5088Q	4THPIP/LVR10' 4BR104/6 QADJ02-	8J3012	SPOOL12"FULLWLDD CLTRCHSL06-
8HD5094	EXT PIPE2.375"ODX.148- 12" 01-	8J3246	SCRAPER MNT TUBE-46"SCLTR03-
8HD5096	EXT TUBE1.5SQ11GA-23-3/4"01-	8J3256	SCRAPER MNT TUBE-56"SCLTR00-
8HD5101	SIDE PLT 1/4"3BR 104/6 LEFT00-	8J3266	SCRAPER MNT TUBE-66"SCLTR00-
8HD5102	SIDE PLT 1/4"3BR 104/6 RGHT00-	8J3276	SCRAPER MNT TUBE-76"SCLTR00-
8HD5105	SIDE PLT5/16"4BR 104/6 LEFT00-	8J3286	SCRAPER MNT TUBE-86"SCLTR04-
8HD5106	SIDE PLT5/16"4BR 104/6 RGHT00-	8J4000	HITCH SUPERCOUNTER 00-
8HD5115	CONNCTNG BAR (3/8X2-17.5) 00-	8J4030	WING 30' WIDE CNTR SC LEFT00-
8HD5120	CONNCTNG BAR (3/8X2X30.5) 93-	8J4032	WING 30' WIDE CNTR SC RGHT00-
8HD5140	CROSS TUBE W/FLATS 6' M104/106	8J4040	WING 40' SUPRCOULTR LEFT 00-
8HD5150	CROSS TUBE W/FLATS 8' M104/106	8J4042	WING 40' SUPRCOULTR RGHT00-
8HD5160	CROSS TUBE W/FLATS 10' M104/06	8J4123	WING 23' NRRWCNTR SPRCLTR03-
8HD5180	EXT BRCKT M94-106 2ND ARM 15"	8J4130	WING 30' NRRWCNTR SPRCLTR03-
8HD5188	EXT BRCKT ONLYRGHT M94 2ND ARM	8J4140	LIFTARM SUPRCLTR 2"ID GRN 00-
8HD5225	FLAT 5/8X6- 8.44" JD BOLT 99-	8J4145	LIFTARM SPRCLTR 2.5"ID BLCK04-
8HD5230	EXTENSION 35"JD510/512 MNT 99-	8J4220	CYLINDR ATTCH SUPRCOULTR 00-
8HD5240	TUBE 4SQ-172" JD510/512MNT 99-	8J4240	BRACE 30'NRRW CNTR WNGLFT03-
8HD6110	CROSS TUBE U-BLT ON 24"C-C 94-	8J4275	STUBTUBE TRNSPRTLCK NRWCNTR03-
8HD6140	MNT BRCKT SH+ SECTION 94-	8J4290	REAR JACK ATCHBRCKT N-CNTR 07-
8HD6150	ANGLE TOOTH STOP1.75X1.75-6.25	8J4300	REAR LEG/JACK ATTCH BRCKT 01-
8HD6180	LIFT ARM SH+ W/O TINEADJFC 95-	8J4480	FRAME REAR HTCH SUPRCLTR 03-
8HD6182	LIFT ARM SH+ W/TINE ADJ FC 95-	8J5100	#6 JIC(M) X #6 JIC(M) UNION
8HD6460	CABLEATCH 3/8X2- 4.63" REAR03-	8J5110	#10 JIC(M) X #10 JIC(M) UNION
8HD6464	CABLGUIDE FLAT3/8X6-9" REAR03-	8J5150	3/8" MPT X #6 JIC(M) STR ADPTR
8HD6620	WINGTUBE 11'0" (36"SH+) 8"SQ	8J5152	#8 JIC(F) X #6 JIC(M) RDCR
8HD6640	WINGTUBE 17'2" (48"SH+) 8"SQ	8J5170	1/2" MPT X #10 JIC(M)STR ADPTR
8HD6660	WINGTUBE 23'0" (60"SH+) 8"SQ	8J5200	#10 JIC(F) X #6 JIC(M)HEX BUSH
8HD6663	WINGTUBE PRT1 LEFT60&72SH+96-	8J5298	TEE #6 SWIVELNUTRUN(M+M+F-SW)
8HD6664	WINGTUBE PRT1 RGHT60&72SH+96-	8J5300	TEE #6 JIC (MALE) 3X
8HD6665	WINGTUBE END(8"SQ)60"HW SH+96-	8J5310	TEE #10 JIC (MALE) 3X
8HD6680	WINGTUBE 34'10" (84"SH+)8SQ5T	8J5500	9/16"-18 ORB X #6 JIC(M) STR
8HD6684	WINGTUBE PRT1 LEFT HW 84"SH+	8J5510	3/4"-16 ORB X #6 JIC(M) STR
8HD6685	WINGTUBE PRT1 RGHT HW 84"SH+	8J5520	3/4"-16 ORB X #10 JIC(M) STR
8HD6698	WINGTUBE END HW 72&84"SH+	8J5540	7/8"-14 ORB X #10 JIC(M) STR
8HD7000	BUSHING ROCKSHFT HYD.TINE95-	8J5600	9/16"-18 ORB X #6 JIC(F-SW)STR
8HD7020	CYL ATTCH BASE HYD TINE 95-	8J5620	3/4"-16 ORB X #6 JIC(F-SW)STR
8HD7040	CYL ATTCH ROD HYDTINEADJ 95-	8J5680	3/4"-16 ORB X 3/4"-16ORB UNION
8HD7060	LEVER(U-BLT ON)HYDTINEADJ 95-	8J5690	3/4-16X3/4-16 ORB M-SW90*UNION
8HD7080	CONNECTNG TUBE HYD TINE 95-	8J5700	#6 JIC(F-SW) X #6 JIC(M)90*ADP
8HD7100	STIFFNR FLAT3/8X2HYD TINE95-	8J5710	#10 JIC(F-SW)X#10 JIC(M)90*ADP
8HD7110	CLAMP ROCK SHFT HYD TINE 95-	8J5800	3/8"FPT X #6 JIC (F-SW) STR
8HD7120	PIPE CAP ROUND SH+ 98-	8J5810	1/2"FPT X #10 JIC(F-SW) STR
8HD7130	ROCKSHAFT 4SQX6T- 54"HYD TINE	8J6000	9/16"-18 ORB X #6 JIC(M)90*ADP
8HD7136	ROCKSHAFT 4SQX6T- 84"HYD TINE	8J6002	9/16"-18ORB X #6 JIC(M)BRNCH T

8J6004	9/16"-18ORB X #6 JIC(M)RUN TEE	8K1312	WING 24.5' RGHT
8J6010	3/4"-16 ORB X #6 JIC(M)90*ADP	8K1320	WING 28' & 32.5' LEFT
8J6020	3/4"-16 ORB X #10 JIC(M)90*ADP	8K1322	WING 28' & 32.5' RGHT
8J6060	3/4"-16ORB X #6JIC(F-SW)90*ADP	8K1350	WING 38.5' & 44.5' LEFT
8J7000	BALL VALVE HYD 9/16"-18ORB(2X)	8K1352	WING 38.5' & 44.5' RGHT
8J7040	THERMAL RELIEF MANIFLD 4000PSI	8K1355	WING EXT 32.5' (29") 07-
8J7110	CHECKVLV TNK 7/8-14ORB ML/FML	8K1358	WING EXT 44.5' (40.1") 98-
8J7116	3/4"-16 ORB(2X)1WAY 1/16"RESTR	8K1510	CAP 1/4X4- 6" 28-44.5' DSKWNG1
8J7216	#6JIC(M)X6JIC(F)1/16"RSTR GOLD	8K1512	CAP 1/4 X 4.5- 6-1/4" 06-
8J7232	#6JIC(M)X6JIC(F)1/32"RSTR SLVR	8K1532	CYLPULL 1/2X2.5- 12.25" DSK84-
8J7250	RELIEF VLV 2250PSI 9/16"-18ORB	8K1540	TUBE 2-1/4X1.27ID- 1/2" DSK84-
8J8860	BRACE CROSS HYD HTCH OPT03-	8K1610	PIN 3/4 X 6.25" TRNSPRTLCK 84-
8J8870	BRACE DROP HYD HTCH OPT 03-	8K1620	PIN 1-1/4 X 6-1/8" 84-
8J8890	BRACE NRRWCNTR RR HYDHTCH03-	8K1640	PIN 1-1/2 X 10-5/8" HITCH 84-
8J8900	BRACE WIDECNTR RR HYDHTCH03-	8K1660	PIN 1-1/2 X 15-1/2" HARDEND84-
8J8905	EXTENSION WIDECNTR REARHH03-	8K1680	EYEBOLT 1.25DIA X 1" EYEX 9" YZ
8J8920	PIVOT ASSY HTCH HYD HTCH 03-	8K1682C	EYEBOLT 1.5"DIA X 1" EYEX 10-3/8 YZ
8J8940	PIVOT ASSY CNTR HYD HTCH 03-	8K1683	EYEBOLT 1.5"DX 1.25" EYEX 10-3/8"
8K1010	HITCH DIAMOND DISK 84-	8K1830	HOUSNG HUBODOMETR DSK/CLTR GNG
8K1040	CENTER FRAME 14.5' LEFT 84-	8K1900	SEAL GBGI V WALKNG TANDM 01-
8K1042	CENTER FRAME 14.5' RGHT 84-	8K1920	RETAINING RING 2-7/8" INV 00-
8K1050	CENTER FRAME 16' LEFT 84-	8K1995	BEARING 211 X 2.02" ID 84-00
8K1052	CENTER FRAME 16' RGHT 84-	8K2000	BEARING 211 X 2.02" ID 01-
8K1062	SPLICE TUBE FRNT W/BLT PL84-	8K2020	RETAINING RING GANG BRNG 84-
8K1070	SPLICE TUBE REAR 84-	8K2050	GANG BRNG W/HOUSNG 211 X 2"+ID
8K1081	CROSSTUBE 18.5-32.5 FRNT98-	8K2080	CAST BEARNG MNT BASE DRILLD
8K1082	CROSSTUBE 18.5-32.5 REAR 84-	8K2090	CAST BEARNG PIVOT TUBE DRILLD
8K1090	CROSSTUBE 38.5+44.5FRNT/RR 84-	8K2102	GANG BRNG ASSYW/211BRNG&CSTNGS
8K1093	CROSSTUBE 38.5+44.5MIDDLE98-	8K2120	GANG ROD 2" DIA X 47"
8K1100	HUB&AXLE ASSY 614(GBGI-2"RCVR)	8K2128	GANG ROD 2" DIA X 55" CLTR 07-
8K1105	HUB&AXLE ASSY HD812(2.5"RCVR)	8K2130	GANG ROD 2" DIA X 57"
8K1105S	HUB&AXLE ASSY HD812 (2"RCVR)	8K2140	GANG ROD 2" DIA X 67"
8K1107	SPINDLE W/H1010 12K GREEN96-	8K2150	GANG ROD 2" DIA X 77"
8K1109	SPINDLE W/H1010 15K GREEN03-	8K2160	GANG ROD 2" DIA X 87"
8K1112	LIFTARM 24.5' WING LEFT98-	8K2165	GANG ROD 2" DIA X 91" CLTR 06-
8K1122	LIFTARM 24.5' WING RGHT98-	8K2170	GANG ROD 2" DIA X 97"
8K1134	LIFTARM 28' WING WIDE 00-	8K3002	WRENCH GANG 3-1/8" HEX BLCK00-
8K1134N	LIFTARM 32.5' WING NARROW 07-	8K4000	SPOOL FULL DISK DUCTIL MACHIND
8K1146	LIFTARM18.5-32.5 FRNTCNTR98-	8K4009	SPOOL HALF SHORT CLTR DCTL 00-
8K1152	LIFTARM18.5-32.5 REARCNT98-	8K4010	SPOOL HALF SHORT DISK DCTL 94-
8K1178	LIFTARM38.5+44.5 RRC+WING00-	8K4019	SPOOL HALF LONG CLTR DCTL 00-
8K1186	LIFTARM38.5+44.5 FRNTCNTR98-	8K4020	SPOOL HALF LONG DISK DCTL 94-
8K1212	A-FRAME18.5-44.5 FRNTCNTR98-	8K4130	HOUSING BRG TOGGLE MNT CAST
8K1221	A-FRAME18.5-32.5 REARCNT98-	8K4200	CLAMP GNGMNTW/PEG CAST P/C GRN
8K1224	A-FRAME38.5+44.5 REARCNT98-	8K4210	CLAMP GANG MNT CAST P/C GRN
8K1232	A-FRAME 24.5' WING 98-	8K4300	CLAMP SCRAPER MNT CAST P/C GRN
8K1242	A-FRAME 28-44.5' WING 98-	8K4392	SPRING SHNK COIL MNT PNTD00-
8K1280	WING TRUSS FRONT 18.5 & 21.5'	8K4400	SPRING SHANK GNG MNT 2.5"X1.25
8K1282	WINGTRUSS R18.5 F32.5 & F44.5	8K4410	SCRAPER DISK 3/16" P/C GRN
8K1284	WING TRUSS REAR 21.5'	8K4415	BLADE SCRAPER INSIDE 5/16"07-
8K1290	STUB TUBE LEFT FRONT 18.5'	8K4417	BLADE SCRAPER OUTSIDE 5/16"07-
8K1292	STUB TUBE RGHT FRONT 18.5'	8K4420	CLAMP FLAT 1/2 X 2- 4-1/4" 84-
8K1294	STUB TUBE LEFT REAR 18.5'	8K4423	FILLER FLAT 5/8 X 2.5- 3" 08-
8K1296	STUB TUBE RGHT REAR 18.5'	8K4430	ARM 5/8X2.5- 15.375"HR1044PNTD
8K1300	STUB TUBE LEFT FRONT 21.5'	8K4449	ADJ DOUBLE SCRAPER BRCKT 99-
8K1302	STUB TUBE RGHT FRONT 21.5'	8K4450	BRCKT 2SQ BAR MNT 7K4110&4120
8K1304	STUB TUBE LEFT REAR 21.5'	8K4610	SCRAPER MNT TUBE 2 SQ X 38"
8K1306	STUB TUBE RGHT REAR 21.5'	8K4620	SCRAPER MNT TUBE 2 SQ X 48"
8K1310	WING 24.5' LEFT	8K4630	SCRAPER MNT TUBE 2 SQ X 58"

8K4640	SCRAPER MNT TUBE 2 SQ X 68"	8K7213	HUB CAP H1010 DC27
8K4650	SCRAPER MNT TUBE 2 SQ X 78"	8K7214	BOLT HUB CAP H1010
8K4660	SCRAPER MNT TUBE 2 SQ X 88"	8K7215	STUD WHEEL 3/4-16 UNF X 2-5/8"
8K4670	SCRAPER MNT TUBE 2 SQ X 98"	8K7215B	STUD WHEEL 3/4-16UNF X 3.3"
8K4690	MNT TUBE ASSY 2SQ X 47" INSIDE	8K7216	NUT 3/4"-16UNF FLANGE
8K4692	MNT TUBE ASSY 2SQ X 47" OUTER	8K7217	BEARING INNER 12K H1010 39585
8K4698	MNT TUBE ASSY 2SQ X 67" OUTER	8K7218	BEARING OUTER 12K H1010 460
8K4700	MNT TUBE ASSY 2SQX 67" 14"CNTR	8K7219	BEARING INNER 15K H1010 33275
8K4710	MNT TUBE ASSY2SQX77" 16.5"CNTR	8K7220	SEAL 3" ID 12K H1010 SE48
8K4922	BLADE DISK 1/4X22"5BLT4"ID PLN	8K7221	SEAL 3.3"ID 15K H1010 SE67
8K4925	STL 7K2040 517 HUBCAPGUARD 06-	8K7222	NUT 3/4"-16UNF INNER BUDD
8K4930	STL 7K2065 5/8" SPACR PNTD 06-	8K7223	NUT 1-1/8"-16UNF OUTER BUDD
8K4935	FLAT 5/8 X 6- 6-1/2" PNTD 06-	8K7230	RACE INNER 12K H1010 39520
8K4936	FLAT 5/8 X 5.5- 9-5/16" DC07-	8K7231	RACE INNER 15K H1010 33462
8K4938	BRCKT W/517AXL REVR SBL DSKC07-	8K7232	RACE OUTER 12K&15K H1010 453A
8K4940	BRCKT W/517AXL SNGLDSK RGHT06-	8K7250	AXLE 12K 1010 3.0"X 12-1/8"96-
8K4943	BRCKT W/517HUB REVR SBL DSKC07-	8K7251	AXLE 15K 1010 3.5"X 12-1/8"03-
8K4945	BRCKT W/517HUB SNGLDSK RGHT06-	8K8000	FLAT LGHT BRCKT3/8X3.5-11.38"
8K5024	BLADE DISK 1/4 X 24" W/2"HOLE	8K8010	TUBE LGHT BRCKT1.5SQ5.5"00-
8K5025N	BLADE DISK1/4X25" 2"HL NTCH07-	8K8020	MOUNTNG BRCKT LIGHT 00-
8K5026	BLADE DISK 1/4 X 26" W/2"HOLE	8K8030	MODULE AG ENHANCED LIGHT 07-
8K5026N	BLADE DISK 1/4X 26"(2"ID)NTCHD	8K8030A	MODULE AG ENHNCD W/BRAKE 08-
8K5200	WASHER GANG BOLT 2.03" ID	8K8060A	EXT HRNSS 12' 4PIN DEUTSCH 07-
8K5210	WASHER GANG BLT FOR STLK FNGR	8K8067	DUST CAP FOR 7PIN CONNECT00-
8K5214	STALK FINGER 3/4 X 6"	8K8068A	MAIN HRNSS 7PIN DTSCH SHRT 07-
8K5350	SPLITSTEELBUSH 2"ODX1.5"ID- 2"	8K8070A	MAIN HRNSS 7PIN DTSCH LONG 07-
8K5505	U-BOLT 3/4 X 2-1/8 X 4-1/4" SQ	8K8075A	EXT HRNSS NONDRAWBR DTSCH 07-
8K5515	U-BOLT 3/4 X 4 X 6" SQ	8K8080A	EXT HRNSS DRAWBAR DEUTSCH 07-
8K5520	U-BOLT 3/4 X 6-1/8 X 7-1/2" SQ	8K8088	LENS ONLY AMBER GROTE LGHT 00-
8K6870	ARM & KNEE ASSY W/HUB CLTR OPT	8K8090	LIGHT AMBER 2WIREWTHR PCK 00-08
8K6874	COULTER BLADE 20" FLUTED B-JET	8K8090A	LIGHT AMBER 2WIRE DEUTSCH 07-
8K6875	COULTER BLADE17"DIA2"PTCH8WAVE	8K8092	LENS ONLY RED GROTE LIGHT 00-
8K6952S	SPACER TUBE SHNK HGHT ADJ96-	8K8095	LIGHT RED 3WIRE WTHR PCK 05-08
8K6954S	FLAT1/2X6-6.5" SHNKHGHTADJ 96-	8K8095A	LIGHT RED 3WIRE DEUTSCH 07-
8K6956S	CLEVIS SHANK HEIGHT ADJ 96-	8K8105A	EXT HRNSS T 26'2WIRE DTSCH 07-
8K6960S	SHANK HGHTADJST W/HRDWR 96-	8K8200	BRCKT SMV ATTCH 4-8"FRAME98-
8K6968	CNTR TUBE SHNK MNT STRAIGHT	8K8202	BRCKT SMV ATTCH BNT45* LR 05-
8K7016	WHEEL 15 X 8" 8 BOLT-VLV GRD	8K8430	HYD CYL 3"DIA X 8"RPHS 1.5"ROD
8K7020	WHEEL 15 X 10" 8 BOLT-VLV GRD	8K8435	HYD CYL 3.5 X 8" RPHS 1.75"ROD
8K7022	WHEEL 16 X 10" 8 BLT PRTS ONLY	8K8440C	HYD CYL 4"DIA X 8" RPHS 2"ROD
8K7025	TIRE 11L X 15" 10PLY FARM UTIL	8K8445C	HYD CYL 4.5 X 8" RPHS 2"ROD
8K7026	TIRE 11L X 15" LRF TBLS HWYSRV	8K8452C	HYD CYL 5"DIA X 8" RPHS2.125"RD
8K7028	TIRE 12.5L X 15" LRF TL HWYSRV	8K8455	HYD CYL5.5"DIA X 8"RPHS 2.25 RD
8K7111	HUB HD812 W/CUPS&ZRK 8BLT3LIP	8K8520	SEAL KIT 4 X8"&10"PRINCE 93-04
8K7113	HUB CAP HD812 DC17	8K8530	SEAL KIT4.5X8"&10"PRINCE 93-04
8K7117	BEARING INNER HD812 LM3780	8K8540	SEAL KIT 5 X8"&10"PRINCE 93-03
8K7118	BEARING OUTER HD812 LM2790	8K8600	SEAL KIT 3 X 8" CTD 89-
8K7120	SEAL 2-1/2"ID HD812 SE17 -06	8K8610	SEAL KIT3.5X8"CTD1.75"ROD 90-
8K7122	STUD WHEEL 5/8-18UNFX2.5"97-	8K8620	SEAL KIT 4 X 8" CTD 89-
8K7123	NUT 5/8"-18UNF WHEEL BOLT 97-	8K8630	SEAL KIT 4.5 X 8" CTD 89-
8K7127	SEAL TRPL LIP EXTRNL HD812 06-	8K8642	SEAL KIT 5 X 8"CTD 2&2.125"ROD
8K7128	SEAL SLEEVE FOR 3X LIP 812 06-	8K8650	SEAL KIT4X36"CTD(8K9640CYL)90-
8K7130	RACE INNER HD812 LM3720	8K8660	SEAL KIT 5 X 32 & 36" CTD 89-
8K7132	RACE OUTER HD812 LM2720	8K9102	PIN 1 X 4" CYL-FOR1/4"ROLL PIN
8K7150	AXLE HD812 X 11.5" (2.5"DIA.)	8K9106	PIN 1-1/4 X 4-3/8" HARDENED
8K7150S	AXLE HD812X 11.5" (2"DIA.RCVR)	8K9174	STROKE CNTRL 1/2" 2"ROD 96-
8K7210	HUB H1010 W/CUPS&ZRK 10BLT 15K	8K9176	STROKE CNTRL 3/4" 2"ROD 96-
8K7211	HUB H1010 W/CUPS&ZRK 10BLT 12K	8K9178	STROKE CNTRL 1" 2"ROD 96-
8K7212	GASKET HUB CAP H1010	8K9180	STROKE CNTRL 1-1/4" 2"ROD 96-

8K9190	TRANSPORT LOCK 7.5"(2"ROD)85-	8L0264	U-BOLT 5/16 X 4 X 5-1/8" SQ
8K9220	ANGLE 6X6X1/2- 6.25" WGHT PKG	8L0266	U-BOLT 1/2 X 3-1/2 X 5" SQ
8K9230	SUITCASE WGHT PNTD 1.25"- 70#	8L0268	U-BOLT 5/16 X 3 X 4" SQ
8K9375	HYD CYL 3.75 X 8" 1.37"ROD RAM	8L0270	SLIDE BOLT LATCH ZNC PLTD 96-
8K9400	HYD CYL 4 X 8" 1.37" ROD RAM	8L0272	U-BOLT 5/16 X 3 X 7" SQ
8K9425	HYD CYL 4.25 X 8" 1.37"ROD RAM	8L0300	EYEBOLT 1/2"-13NC X 1"EYE X 4"
8K9450	HYD CYL 4.5 X 8" 1.5" ROD RAM	8L0310	PROTECTOR WETBOOM 1-1/4 X 10
8K9475	HYD CYL 4.75 X 8" 1.5" ROD RAM	8L0320	PLATE 2PNT&LR CASTER WEAR 96-
8K9500	HYD CYL 5 X 8" 1.5" ROD RAM	8L0400	WINDSHIELD SQ MNTG BRCKT 96-
8K9640	HYD CYL 4 X 36" W/3" STOP TUBE	8L0410	WINDSHIELD RD MNTG BRCKT 96-
8K9650	HYD CYL 5 X 36" W/3" STOP TUBE	8L0455	RADAR STUB BRCKT ULT/RA 99-
8L0001	TORX DRIVER BIT #40 TAMPROOF	8L0510	12GA BOOM BRACE ULT 99-
8L0011	SWITCH ORANGE CONTROL GRIP	8L0625	BUMPER THERMOPLASTIC
8L0012	SWITCH BLUE CONTROL GRIP	8L0626	BUMPER NEOPRENE 80DURO W/PLT
8L0013	SWITCH YELLOW CONTROL GRIP	8L0630	SADDLE 1" DBL HOSE ULT/RA 02-
8L0022	MANIFOLD VALVE BLK 5-BANK 05-	8L0650	SPRING BOOM SUSPEN 12" LT BLK
8L0024	MANIFOLD VALVE BLK 6-BANK 05-	8L0652	SPRING BOOM SUSPEN 12" HVY GRN
8L0030	SWITCH SPRING TOGGL NORM-OPEN	8L0660	SPRING CABLE TENSION 1/2 X 24"
8L0036	DOUBLE PILOT OPERATED CHECK	8L0903	TUBE EXT WB 1 X 21.38" SSTEEL
8L0038	VALVE MIDDLE BOOM SOLENOID	8L0906	EXT WETBOOM ALUM 21-3/8" 93-
8L0042	VALVE ELEC/HYD 9/16"-18 05-	8L0908	EXT WETBOOM ALUM 41-3/8" 93-
8L0050A	SWITCH BOX W/HRNSS ULT/RA 05-	8L0908S	TUBE EXT WB 1 X 41.38" SSTEEL
8L0051	SWITCH NEON RED SPST 99-	8L0908U	TUBE PRT2 WTBM 1 X 45"ULT99-
8L0052	SWITCH NEON ORANGE SPST 99-	8L0909	TUBE WTBOOM 1X49" 22"SP 3NOZ
8L0053	SUCTION CUP CONTROL BOX MNT	8L0910	EXT WETBOOM ALUM 59" 93-
8L0054	POWER CONNECTOR W/LEADS 99-	8L0911	TUBE WTBOOM 1X93" 22"SP 5NOZ
8L0055	BREAKER 15 AMP RESETABLE 99-	8L0912	TUBE EXT WB 1 X 45" SSTEEL
8L0056	CAP W/STRAP CNTRL GRIP PORT	8L0920	TUBE MID WETBOOM 1 X 105"
8L0060	WIRING HARNESS - CART ULT99-	8L0921	TUBE WB 1 X 145" 20"SP 8NOZZ
8L0061	CART HARNESS W/ENHNCD LTG07-	8L0922	TUBE MID WTBOOM 1X115" 22"SP
8L0062	EXTENSION 12' CART HARNESS ULT	8L0923	TUBE MID WB 1 X 105" SSTEEL
8L0070	WIRING HARNESS -VALVE ULT99-	8L0925	TUBE WB 1 X 145" 20"SP SS 8NOZ
8L0071	VLVE HARNESS W/ENHNCD LTG07	8L0928	TUBE WTBOOM 1X137" 22"SP 7NOZ
8L0075	HARNESS ADAPTOR WP TO DEUTSCH	8L0930	TUBE PART 2 WETBOOM 1 X 165"
8L0080	WIRE HARNESS BOOM ULT 99-07	8L0933	TUBE PT2 WB 1 X 165" SSTEEL
8L0081	HARNESS BOOM ULT W/ENHNCD 07-	8L0940	TUBE PART 1 WETBOOM 1 X 225"
8L0082	WIRE HARNESS BOOM ULTRA 05-08	8L0942	TUBE PRT1&2 AL WTBOOM 1 X 285"
8L0083	HARNESS BOOM ULTRA W/EHNCD 07-	8L0943	TUBE PT1 WB 1 X 225" SSTEEL
8L0100	ACCUMULATOR PISTON TYPE	8L0944	TUBE WB 1 X 265" 20"SP 14NOZ
8L0104	ACCUMULATOR INNER CUSHION	8L0952	TUBE WB 1 X 264" 20"SP SS 14NZ
8L0105	CHECK VALVE W.025 ORF #8	8L0953	TUBE PT1 WB 1 X 285" SSTEEL
8L0110	CUSHION BUMPER 1.25"DIA.RED	8L0962	TUBE WB 22"SPCG 2NOZ 88 03-
8L0130	WELD ASSY TOUCH DOWN CRUTCH	8L0964	TUBE WB 22"SPCG 4NOZ 88 03-
8L0138	SPRING STEEL TOUCH DOWN ROD	8L0966	TUBE WB 22"SPCG 6NOZ 88 03-
8L0148	STL 8L0146 SAFETY LNK PNTD 07-	8L0969	TUBE WB 22"SPCG 9NOZ 88 03-
8L0152	STL 8L0150 3/8"FOLDLNK PNTD99-	8L0971	TUBE WB 22"SPC 2NOZ 110 04-
8L0162	STL 8L0160 3/4"FOLDLNK PNTD99-	8L0973	TUBE WB 22"SPC 3NOZ 110 04-
8L0242	SAFETY CHAIN 6400# 7MM X 42"	8L0975	TUBE WB 22"SPC 10NOZ 110 04-
8L0243	SPINDLE W/211 HUB TOUCHDWN 07-	8L0977	TUBE WB 22"SPC 12NOZ 110 04-
8L0246	BUSHING 2.875X2.5ID- 3" 97-	8L1015	SHOCK ABSORBER PAINTED 95-
8L0247	BUSHING 2.625X2.25ID- 2.5" 99-	8L1020	AXLE H611 1.75X12.75" 2PT96-08
8L0248	BUSHING 2.125X1.765ID- 3" 96-	8L1045	UHMW FLAT 1/4X5-11" CNTR 95-
8L0250	BOLT 3/4-10NC X 14" WELDASSY	8L1046	UHMW FLAT 1/4X5-11"W/NTCH95-
8L0251	WASHER 3/4"ID X 3-1/16"ODX 1/4	8L1050	TIVAR FLT .25X2.8-12" WEARFLAT
8L0252	WASHER 1.28"IDX4.5ODX 1/4" ZDI	8L1052	TIVAR WEAR STRIP W/HLS 99-
8L0256	U-BOLT 1/4 X 1-1/2 X 2-1/2" SQ	8L1053	UHMW ANGL 3/8X3X3-7-1/2"R99-
8L0258	U-BOLT 5/16 X 1-1/2 X 2-1/2"SQ	8L1054	UHMW ANGL 3/8X3X3-7-1/2"L99-
8L0260	U-BOLT 3/8 X 1-3/4 X 3" SQ	8L1055	UHMW FLAT 1/4X2-1/2- 24" 99-
8L0262	U-BOLT 5/16 X 1 X 2" SQ	8L1056	UHMW DISK 3.5"ODX2.28"ID 99-

8L1057	UHMW FLAT 1/4X2- 4.5" BLACK	8L1905	HARNESS UPPER WIRE 95-08
8L1060	QUICKLINK 3/8" YEL ZINC	8L1906	HARNESS LOWER WIRE 95-08
8L1070	TURNBUCKLE 3/8" X 6" TAKE-UP	8L1907	HARNESS UPPER WIRE DTSH 08-
8L1110	CHAIN 5/16"GR30 PROOF Z 18.25"	8L1908	HARNESS LOWER WIRE DTSH 08-
8L1145	SPRING CABLE 1/4X 161" 96-	8L1910	TIPLIFT CNTRL BOX ASSY 95-
8L1150	SPRING CABLE 1/4X 219" 93-	8L1919	HARNESS 20' BV EXTENSION 04-
8L1155	SPRING CABLE 1/4X 342" 96-	8L2200	LEG 2SQ X 43.5" SCLTR&2PT 96-
8L1160	SPRING CABLE 1/4X 456.5" 93-	8L3015	WELD ASSY CROSS BRACE SKID 95-
8L1430	KIT RETROFIT PART1 PILOT CHECK	8L3022	VERTICAL SLIDE WETBM TRCK 95-
8L1450	DBL BLCKNG 2WAY NC WTHRPRF OBS	8L3028	TOUCHDOWN WHEEL BRCKT ULTRA07-
8L1450A	DBL BLCKNG VLV 2WAY NC	8L3035	PUSH BRCKT BOOM WNDSHLD 96-
8L1450B	DBL BLCKNG VLV 2WAY NC SMLLCOL	8L3042	WELD ASSY CNTR BEAM TRCK 95-
8L1451	BODY ONLY -8CAVITY Z-6 PORTS	8L3050	WELD ASSY LEFT CABLE YOKE 93-
8L1452B	POPPET 2WAY NC 5K DEUTSCH	8L3055	WELD ASSY RGHT CABLE YOKE 93-
8L1453	RELIEF VALVE CAVITY PLUG 2WAY	8L3060	WELD ASSY LEFT BOOM PIVOT 93-
8L1454	POPPET 2WAY NO WEATHERPROOF	8L3065	WELD ASSY RGHT BOOM PIVOT 93-
8L1454A	POPPET 2WAY NO	8L3070	WELD ASSY INNER HINGE 93-
8L1455	SEAL KIT FOR 8L1454 & 8L1456	8L3075	JACK ATTCH BLT-ON WS TRCK 96-
8L1456	SPOOL 2WAY NORMALLY OPEN PT2	8L3080	WELD ASSY 20' PRT1 LEFT 12N91-
8L1457	CART WATERPRF SEAL KIT METLCAP	8L3083	WELD ASSY 15' PRT1 LEFT 9N 96-
8L1458	SPOOL 4WAY 2POSITION TRKSPYR	8L3090	WELD ASSY 20' PRT1 RGHT 12N91-
8L1459	SPOOL 2WY NRMLLY OPN FOR ECOIL	8L3093	WELD ASSY 15' PRT1 RGHT 9N 96-
8L1460	RELIEF DIFFERETIAL AREA POPPET	8L3100	WELD ASSY LEFT MIDHING 2PT&SKD
8L1462	CHECK VALVE HYD MANIFOLD ULT	8L3110	WELD ASSY RGHT MIDHING 2PT&SKD
8L1464	SEAL KIT FOR 8L1452A/B	8L3117	WELD ASSY 10' PRT2 LEFT 6N 93-
8L1465	COIL NUT NOT WEATHERPROOF	8L3120	WELD ASSY 15' PRT2 LEFT 9N 93-
8L1466	COIL NUT NOT WEATHERPROOF	8L3127	WELD ASSY 10' PRT2 RGHT 6N 93-
8L1468	SMALL CART WATERPRF SEAL KIT	8L3130	WELD ASSY 15' PRT2 RGHT 9N 93-
8L1469	LARGE CART WATERPRF SEAL KIT	8L3133	WELD ASSY BOOM EXT LEFT 1N 93-
8L1470	LARGE COIL W/WPAC 12V 1.67AMPS	8L3137	WELD ASSY BOOM EXT LEFT 2N 93-
8L1471	#10 E-COIL 12VDC DEUTSCH 1.6A	8L3140	WELD ASSY BOOM EXT LEFT 3N 91-
8L1472	SMALL COIL W/WPAC 12V 1.22AMPS	8L3143	WELD ASSY BOOM EXT RGHT 1N 93-
8L1473	#07 E-COIL 12VDC DEUTSCH 1.4A	8L3147	WELD ASSY BOOM EXT RGHT 2N 93-
8L1475	MANIFOLD VALVE BLOCK BARE 5BNK	8L3150	WELD ASSY BOOM EXT RGHT 3N 91-
8L1476	ORFICE DISC .50D X .060"DROPIN	8L3160	TRANSPRT LOCK LEFT TRUCK 93-
8L1476A	ORIFICE DSC .50D X .05" OFFSET	8L3170	TRANSPRT LOCK RGHT TRUCK 93-
8L1476B	ORIFICE DISC .50D X.06" OFFSET	8L3191	PUMP MNT FLAT.5X7- 10.25" 94-
8L1477	ORFICE DISC .50D X .032"DROPIN	8L3200	WELD ASSY LEFT BOOM LATCH 93-
8L1477A	ORIFICE DSC .50D X .04" OFFSET	8L3210	WELD ASSY RGHT BOOM LATCH 93-
8L1478	ORIFICE DISC.50D X.032" THREAD	8L3220	LEFT BOTTOM BREAKAWAY ASSY 93-
8L1478A	ORIFICE DSC .50D X .06" THREAD	8L3230	RGHT BOTTOM BREAKAWAY ASSY 93-
8L1479	ORIFICE DISC ONE WAY DROP IN	8L3240	BRCKT SKID HOLD DOWN 92-
8L1501	SPOOL VALVE 4WAY 2POSITION	8L3280	WELD ASSY LEFT BOX LOCK
8L1502	SEAL KIT FOR 8L1501	8L3285	WELD ASSY RGHT BOX LOCK
8L1503	POPPET VALVE 2WAY NC	8L3290	WELD ASSY TRANSPORT LOCK EXT
8L1504	SEAL KIT FOR 8L1456/1462/1503	8L3300	WELD ASSY LEFT REAR BOOM ADJ
8L1505	SPOOL VALVE 4WAY 3POS MOTOR	8L3310	WELD ASSY RGHT REAR BOOM ADJ
8L1508	SCREW 1/4-20X2" SOCKETHEADCAP	8L3320	STOP ASSY LEFT BOOM PVT 93-
8L1509	O-RINGS MANIFLD TO POWER UNIT	8L3330	STOP ASSY RGHTBOOM PVT 93-
8L1519	FENNER PLASTIC RESERVOIR	8L3332	LFT DRY BM NOZZLE BRACKET P/C
8L1520	FILL CAP HYDRAULIC POWER UNIT	8L3333	RGT DRY BM NOZZLE BRACKET P/C
8L1521	SOLENOID POWER UNIT MOTOR	8L3359	LADDER ULTIMATE (30") 99-
8L1522	MOTOR ONLY FENNER POWER UNIT	8L3374	WELD ASSY RNSGUN HOLSTR 05-
8L1523	FENNER UNIT TANK O-RING	8L4550	PIN SWING ARM GREASE 07-
8L1603	HYD POWER UNIT W/CNTL & E-COIL	8L4594	PIN MID BOOM LOCK ULTRA YZ 08-
8L1810	GROUND CABLE ASSY BLACK	8L4596	TOP SWIVEL ASSY HVDUTY 08-
8L1814	HONDA ENGINE STARTER CABLE RED	8L4598	BRACKET TOUCH DOWN SPRING
8L1815	POWER CABLE ASSY RED	8L4601	SPRING CLEVIS GUIDE ROD ZI-DI
8L1902	HARNESS 85'ELEC ENDNOZ WETB91-	8L4602	PIN 1 X 4.19" PLTD YZ 07-

8L4605	SWING GLIDE STRAP REINFORCED	8L4708	ANGLE 17-1/4" FOLD PLTFRM 99-
8L4607	FOLD BRCKT ADJSTBL BOOM 06-	8L4709	SPRING CUSHION CLEVIS ULT 99-
8L4608L	BRACKET LEFT BOOM FOLD L 06-	8L4710	SWING ARM (1" ID)ULT/ULTRA 99-
8L4608R	BRACKET RGHT BOOM FOLD L 06-	8L4710A	SWING ARM CAST 1" PTD
8L4611L	WELD ASSY LFT MIDBM PIN BRKT	8L4711	WELD ASSY LEFT HNG PIN BRK 00-
8L4611R	WELD ASSY RGT MIDBM PIN BRKT	8L4712	WELD ASSY RGHT HNG PIN BRK 00-
8L4613L	WELD ASSY LFT OTR BM PIN BRKT	8L4713	PT2 TRNSPT REST PIN SHORT 99-
8L4613R	WELD ASSY RGT OTR BM PIN BRKT	8L4713A	LG PT2 TRNSPT PIN SHORT 01-
8L4615	PARALLEL LNK ANGLE BRACE 05-	8L4714	PT2 TRNSPT REST PIN LONG 99-
8L4616	CYL MNTG CLEVIS HVY DUTY 08-	8L4714A	LG PT2 TRNSPT PIN LONG 01-
8L4620	SPACER PRT2 EYEBOLT ULTRA P/C	8L4715	LINK ARM ASSY ULT/ULTRA 99-
8L4625L	CYLINDER MOUNTING BRKT LFT	8L4716	PT2 TRNSPT REST SUPPORT 99-
8L4625R	CYLINDER MOUNTING BRKT RGHT	8L4716A	LG PT2 TRANS REST SUPPORT01-
8L4626	EYEBOLT 1.5"DIAX1"EYE 1PCYZ07-	8L4717	CABLE ANCHOR BOTTOM PT2 99-
8L4628	EYEBOLT 1.5"DIAX1.25"EYE 1PCYZ	8L4718	CABLE ANCHOR TOP PT1 99-
8L4629	LEFT REAR CYLINDER ATTCH 08-	8L4719	LATCH FOLDING PLATFORM 99-
8L4630	RGHT REAR CYLINDER ATTCH 08-	8L4720L	LEFT PIVOT MNTG ASSEMBLY 99-
8L4635L	LEFT KNUCKLE HINGE ULTRA 06-	8L4720R	RGHT PIVOT MNTG ASSEMBLY 99-
8L4635R	RGHT KNUCKLE HINGE ULTRA06-	8L4723	STEP FOLDING PLATFORM 99-
8L4636	LEFT PT3 INNR HINGE ASSY 05-	8L4724	TOP ATTACH BOLT ZINC PL 99-
8L4637	RGHT PT3 INNR HINGE ASSY 05-	8L4725	MOUNTNG BRCKT CYL ULT/RA 99-
8L4640	LEFT PT2 INNR HINGE ASSY 05-	8L4726A	EYEBOLT 1.25DIAX1"EYE 1PCYZ06-
8L4641	RGHT PT2 INNR HINGE ASSY 05-	8L4727	LEFT REAR CYLINDER ATTCH 99-
8L4646	LEFT PT2 OTR HINGE ASSY 05-	8L4728	RGHT REAR CYLINDER ATTCH 99-
8L4647	RGHT PT2 OTR HINGE ASSY 05-	8L4729	EYEBOLT 1"DIAX1"EYE PT2 YZ99-
8L4650	LEFT PT1 OTR HINGE ASSY 05-	8L4730	SHOCK MOUNTING BRCKT LEFT 99-
8L4651	RGHT PT1 OTR HINGE ASSY 05-	8L4731	SHOCK MOUNTING BRCKT RGHT 99-
8L4660L	TRANSPORT REST LFT VRTCL 05-	8L4732	CROSS SUPPORT ULTIMATE 99-
8L4660R	TRANSPORT REST RGT VRTCL 05-	8L4732A	CROSS SUPPORT W/LRG UBOLTS
8L4661	TRANSPORT CROSS BRACE 05-	8L4734	CROSS SUPPORT W/BRKT 99-
8L4662	FLAT 3/8 X 3- 70" TRNSBRACE07-	8L4734A	CROSS SUPPORT W/BRKT & LRG BLT
8L4663	TRANSPORT REST TRIFOLD 05-	8L4735L	LEFT REAR BOOM ATTCH ULT/RA04-
8L4670	WIDE REAR BOOM ASSY ULTRA 05-	8L4735R	RGHT REAR BOOM ATTCH ULT/RA04-
8L4675	WIDE FIXED CNTR MNT ULTRA 05-	8L4736A	PIN KNUCKLE HINGE ZI-DI PL 01-
8L4676	PART 3 RDBOOM 20' LEFT 07-	8L4736B	PIN HINGE PT1 ZI-DI PLTD 05-
8L4677	PART 3 RDBOOM 20' RGHT 07-	8L4737L	LEFT KNUCKLE HINGE ULT 01-
8L4679	WIDE SWNGNG CNTR WLDMNT 05-	8L4737R	RGHT KNUCKLE HINGE ULT 01-
8L4682	PART 1 RDBOOM 23' LEFT 05-08	8L4745	TOP SWIVEL ASSEMBLY 99-
8L4682A	PT 1 RDBOOM 23' LFT RVSD 08-	8L4746	PIVOT BUSHING ASSY ULT 99-
8L4683	PART 1 RDBOOM 23' RGHT 05-08	8L4760L	TRANSPORT REST LFT VRTCL 99-
8L4683A	PT 1 RDBOOM 23' RGT RVSD 08-	8L4760R	TRANSPORT REST RGT VRTCL 99-
8L4684	PART 3 RDBOOM 10' LEFT 05-	8L4763	TRANSPORT REST ULTIMATE 99-
8L4685	PART 3 RDBOOM 10' RGHT 05-	8L4765	TRNSPRT REST BOTM SUPPORT99-
8L4687	LEFT SNGL NOZ ULTRA EXT 07-	8L4770	REAR BOOM ASSY ULT 99-
8L4688	RGHT SNGL NOZ ULTRA EXT 07-	8L4775	STATIONARY CENTER ULT 99-
8L4692	PART 2 RDBOOM 20' LEFT 05-	8L4779	SWINGING CNTR WELD ASSY 99-
8L4693	PART 2 RDBOOM 20' RGHT 05-	8L4782	PART 1 BOOM 25' LEFT ULT 01-
8L4694	PART 3 RDBOOM 16'8" LEFT 05-	8L4783	PART 1 BOOM 25' RGHT ULT 01-
8L4695	PART 3 RDBOOM 16'8" RGHT 05-	8L4785A	PART 1 BOOM 20' LEFT ULT 01-
8L4697	LEFT DBL NOZ ULTRA EXT 07-	8L4786A	PART 1 BOOM 20' RGHT ULT 01-
8L4698	RGHT DBL NOZ ULTRA EXT 07-	8L4788	PART 2 BOOM 25' LEFT ULT 01-
8L4701	ANGLE 20" FOLD PLTFRM 99-	8L4789	PART 2 BOOM 25' RGHT ULT 01-
8L4702	HOSE PROTECTOR BRACKET 99-	8L4790	PART 2 BOOM 20' LEFT ULT 99-
8L4702A	CENTER HOSE PROTECTR BRKT05-	8L4791	PART 2 BOOM 20' RGHT ULT 99-
8L4703	CYLINDER MOUNTING CLEVIS 99-	8L4792	PART 2 BOOM 15' LEFT ULT 99-
8L4704	TUBE 1"ODX.562"IDX3-5/8" 99-	8L4793	PART 2 BOOM 15' RGHT ULT 99-
8L4705	SWING GLIDE STRAP ULT/RA 99-	8L4794	PART 2 BOOM 10' LEFT ULT 99-
8L4706	ACCUMULATOR BRACKET 99-	8L4795	PART 2 BOOM 10' RGHT ULT 99-
8L4707	REAR JACK ATTCH ULT/ULTRA 99-	8L4796	2 NOZZLE BOOM EXT ULT 99-

8L4797	1 NOZZLE BOOM EXT ULT 99-	8N2160	1/4X 160"HYD HOSE #6FJX3000PSI
8L4798	PART 2 BOOM 5' LEFT ULT 99-	8N2170	1/4X 170"HYD HOSE #6FJX3000PSI
8L4799	PART 2 BOOM 5' RGHT ULT 99-	8N2180	1/4X 180"HYD HOSE #6FJX3000PSI
8L4817	KIT PRT 2 LATCH HYDFLDBOOM ULT	8N2190	1/4X 190"HYD HOSE #6FJX3000PSI
8L4960	SKID HOLDDOWN KIT W/HRDWR 92-	8N2210	1/4X 210"HYD HOSE #6FJX3000PSI
8L4969	WELD ASSY ULT REAR BTMFL05-	8N2230	1/4X 230"HYD HOSE #6FJX3000PSI
8L4970	WELD ASSY 2ND ULT BTMFL07-	8N2248	1/4X 248"HYD HOSE #6FJX3000PSI
8L4972	STABILIZR LEFT BOOM 2PT&SKD96-	8N2250	1/4X 250"HYD HOSE #6FJX3000PSI
8L4974	STABILIZR RGHT BOOM 2PT&SKD96-	8N2290	1/4X 290"HYD HOSE #6FJX3000PSI
8L4978	STABILIZR LTCH ASSY LT TRCK96-	8N2360	1/4X 360"HYD HOSE #6FJX3000PSI
8L4979	STABILIZR LTCH ASSY RT TRCK96-	8N2400	1/4X 400"HYD HOSE #6FJX3000PSI
8L4981	BRCKT PT3 LATCH POST ULTRA 05-	8N2410	1/4X 410"HYD HOSE #6FJX3000PSI
8L4982	BRACKET LEFT PRT2 LATCH 96-	8N2648	1/4X 648"HYD HOSE #6FJX3000PSI
8L4984	BRACKET RGHT PRT2 LATCH 96-	8N3018	3/8X 18"HYD HOSE #6FJX3000PSI
8L4986	LATCH CLIP PART 2 97-	8N3028	3/8X 28"HYD HOSE #6FJX3000PSI
8L4988	MIDDLE BOOM LOCK CENTER PIECE	8N3035	3/8X 35"HYD HOSE #6FJX3000PSI
8L4990	5' PART 2 LATCH BRCKT ULT	8N3048	3/8X 48"HYD HOSE #6FJX3000PSI
8L4992	MIDDLE BOOM NORAC SNSR BRCKT	8N3060	3/8X 60"HYD HOSE #6FJX3000PSI
8N0101	NORAC VALVE PKG 2 STATION	8N3070	3/8X 70"HYD HOSE #6FJX3000PSI
8N0103	NORAC FOAM SENSOR DISK	8N3084	3/8X 84"HYD HOSE #6FJX3000PSI
8N0104	NORAC SANDWICH BLOCK KIT 06-	8N3096	3/8X 96"HYD HOSE #6FJX3000PSI
8N0105	NORAC SANDWICH BLOCK ORING 06-	8N3124	3/8X 124"HYD HOSE #6FJX3000PSI
8N0106	NORAC IN-LINE FILTER 06-	8N3136	3/8X 136"HYD HOSE #6FJX3000PSI
8N0107	NORAC O-RING .81X.67X.07	8N3150	3/8X 150"HYD HOSE #6FJX3000PSI
8N0109	NORAC BOOM SENSOR REBUILT	8N3156	3/8X 156"HYD HOSE #6FJX3000PSI
8N0110	NORAC BOOM SENSOR NEW	8N3160	3/8X 160"HYD HOSE #6FJX3000PSI
8N0112	NORAC ELECTRONIC COILS	8N3180	3/8X 180"HYD HOSE #6FJX3000PSI
8N0114	NORAC SENSOR MOUNT RUBBER	8N3204	3/8X 204"HYD HOSE #6FJX3000PSI
8N0115	NORAC MOUNTING BRKT BRKWY BASE	8N3216	3/8X 216"HYD HOSE #6FJX3000PSI
8N0116	NORAC SENSOR MOUNT BRACKET	8N3228	3/8X 228"HYD HOSE #6FJX3000PSI
8N0117	NORAC MOUNTING BRKT ROLL SNSR	8N3252	3/8X 252"HYD HOSE #6FJX3000PSI
8N0119	NORAC ROLL SNSR TRGT MNTG BRKT	8N3276	3/8X 276"HYD HOSE #6FJX3000PSI
8N0122	NORAC CABLE BOOM SENSOR	8N3288	3/8X 288"HYD HOSE #6FJX3000PSI
8N0124	NORAC CABLE TRUNK EXTENSION	8N3312	3/8X 312"HYD HOSE #6FJX3000PSI
8N0126	NORAC CABLE VALVE EXTENSION	8N3330	3/8X 330"HYD HOSE #6FJX3000PSI
8N0128	NORAC CABLE VALVE	8N3348	3/8X 348"HYD HOSE #6FJX3000PSI
8N0130	NORAC CABLE POWER BOOM CONTROL	8N3360	3/8X 360"HYD HOSE #6FJX3000PSI
8N0132	NORAC CABLE SENSOR TRUNK EXTN	8N3390	3/8X 390"HYD HOSE #6FJX3000PSI
8N0134	NORAC CABLE SEVERE TERRAIN 4&5	8N3432	3/8X 432"HYD HOSE #6FJX3000PSI
8N0140	PANEL NORAC BOOM CONTROL	8N3462	3/8X 462"HYD HOSE #6FJX3000PSI
8N0141	NORAC RAM MOUNT PANAL UC4	8N3534	3/8X 534"HYD HOSE #6FJX3000PSI
8N0150	NORAC SEALS CHECK VALVE O-RING	8N3570	3/8X 570"HYD HOSE #6FJX3000PSI
8N0152	NORAC SEALS PILT OPRTD CHK VLV	8N3606	3/8X 606"HYD HOSE #6FJX3000PSI
8N0154	NORAC O-RING, FILTER CAP	8N4016	1/2X 16"HYD HOSE#10FJX3000PSI
8N0156	UPGRADE UC4 TO UC4+ NORAC	8N4060	1/2X 60"HYD HOSE#10FJX3000PSI
8N0158	NORAC CENTER HEIGHT CNTRL	8N4114	1/2X 114"HYD HOSE#10FJX3000PSI
8N2012	1/4X 12"HYD HOSE #6FJX3000PSI	8N4120	1/2X 120"HYD HOSE#10FJX3000PSI
8N2024	1/4X 24"HYD HOSE #6FJX3000PSI	8N4138	1/2X 138"HYD HOSE#10FJX3000PSI
8N2036	1/4X 36"HYD HOSE #6FJX3000PSI	8N4198	1/2X 198"HYD HOSE#10FJX3000PSI
8N2050	1/4X 50"HYD HOSE #6FJX3000PSI	8N4216	1/2X 216"HYD HOSE#10FJX3000PSI
8N2054	1/4X 54"HYD HOSE #6FJX3000PSI	8N4228	1/2X 228"HYD HOSE#10FJX3000PSI
8N2060	1/4X 60"HYD HOSE #6FJX3000PSI	8N4546	1/2X 546"HYD HOSE#10FJX3000PSI
8N2072	1/4X 72"HYD HOSE #6FJX3000PSI	8N4624	1/2X 624"HYD HOSE#10FJX3000PSI
8N2076	1/4X 76"HYD HOSE #6FJX3000PSI	8N6060	3/4X 60"HYD HOSE#10FJX3000PSI
8N2088	1/4X 88"HYD HOSE #6FJX3000PSI	8N6354	3/4X 354"HYD HOSE#10FJX3000PSI
8N2110	1/4X 110"HYD HOSE #6FJX3000PSI	8N6570	3/4X 570"HYD HOSE#10FJX3000PSI
8N2120	1/4X 120"HYD HOSE #6FJX3000PSI	8N6588	3/4X 588"HYD HOSE#10FJX3000PSI
8N2135	1/4X 135"HYD HOSE #6FJX3000PSI	8P0306	HYD CYL 3"DIAX6" 3500PSI 2"ROD
8N2150	1/4X 150"HYD HOSE #6FJX3000PSI	8P0510	HYD CYL 5.5"DIAX10"3500PSI2"RD

8P1050	BLACK POLY WEAR TUBE	8R6902	AXLE H614 STR 2"HR X 11-1/2"
8P3010	PLUG 2-1/2" NPT SQUARE HD STL	8R6911	HUB H614 W/CUPS&ZRK 6 BLT GBGI
8P3500	TUBE 2.25 X 1.27 ID- 2.25" 05-	8R6913	HUB CAP H614 & H618
8P3900	PIN 2 X 11-1/8" HARDENED	8R6914	BOLT WHEEL 9/16"-18 UNF
8P3910	PIN 2 X 13-1/2" HARDENED	8R6917	BEARING INNER 614
8P5000	UPRGHT TRNSPRT RST LNDRLLR 05-	8R6921	SEAL HD 2" ID (TRPL LIP) H614
8P5020	BRACE TRNSPRT RST LANDRLLR 05-	8R6922	SEAL ASSY GBGI H614 HUB 00-
8P5040	CROSSTUBE TRNSPRT LNDRLLR 05-	8R6923	SEAL ONLY GBGI H614 HUB 00-
8P5060	ANGLE HTCH LCK 1/2X3X3.5- 14"	8R6924	COUNTRFACE GBGI H614 HUB 00-
8P5070	ANGL WNG LCK 1/2X3X3.5- 10.25"	8R6925	RACE INNER H614 LM603011
8P5080	ANGLE BRNG 3/8X2.5X2.5- 7-7/8"	8R6927	SEAL SUPPORT GBGI H614 AXLE
8P6020P	STL 8P6020 10GAX5X8" PNTD 07-	8R7014	STABILZNG ARM HYD DD LEFT94-
8P6100	LIFTARM W/RCVR SWNGFLD 06-	8R7034	HYDMOTOR2000SER14.9SPL4BLTXRLF
8P6100S	LIFTARM W/RCVR SWNGFLD SHRT06-	8R7050	VALVE FLOW CONTROL
8P6210	CYL ATTCH U-BLT ON 1" ID 06-	8R7052	HNDL KIT PRNC RD-1900FLOWCNTRL
8P6211	CVL ATTCH U-BOLT ON 1"ID 06-	8R7060	DRIVE SPROCKET 13 TOOTH KEYED
8P6215	CYL ATTCH U-BLT ON 1-1/4"ID06-	8R7061	DRIVE SPROCKET 13 TOOTH SPLINE
8P6220	PIVOT HTCH SWNG FLD U-BLT 06-	8R7407	2000 SERIES SEAL KIT '89&LATER
8P6230	STOP W/RND U-BLT SWNG FLD 06-	8R7408	SHAFT SEAL HI-PRESSURE #2000
8P7140	PIVOT LOCK 62'-84' LR 07-	8R7632	GLAND ROD END CTD 3"DIA.X 31"
8P7150L	CASTER WING LEFT 62'-84'LR 07-	8R7650	FLAT 1/4X3- 7.25" ELEC LIFT83-
8P7150R	CASTER WING RGHT 62'-84'LR 07-	8R7660	PLATE 1/4X7.25-10" ELECLIFT83-
8P7160L	CASTER LEFT 62'-84' LR 07-	8R7670	MNTNG BRCKT SWITCH RP 83-
8P7160R	CASTER RGHT 62'-84' LR 07-	8R7672	WIRE HARNESS SWITCH RP 83-
8P7170	SHOT PIN 62'-84' LR 07-	8R7674	WIRE HRNSS SOLENOID VLVE 83-
8P7190	CASTER MOUNT 62'-84' LR 07-	8R7680	SOLENOID VALVE W/WPCK 3POS4WAY
8P7310	LOCK CYL LR PWD COAT RED 07-	8R7684	SOLENOID COIL 12V
8R4335	EYE BOLT 3/8"-16NC -07	8R7704	PLANETARY PWRWHL4.5/1RATIO4BLT
8R6040	PIN 1 X 5-1/2" (BASE3X31CYL)	8R7720	OIL SEAL POWER WHL 83-
8R6065	PILLOWBLOCK CAP W/ZERK CAST	8R7724	RETAINING RING .116 POWER WHL
8R6067	PILLOWBLOCK CAP LESS/PN CAST	8R7730	OUTPUT SHAFT 23 TEETH
8R6080	PIN 1 X 6-1/2" (ROD 3X31CYL)	8R7870	HITCH ONLY HYDSWNG STNDRD 00-
8R6100	RETAINING ROD 1.5 X 61-3/8"	8R7874	HITCH ONLY HYDSWNG EXTND 06-
8R6114	TUBE 2-1/8 X 1.563ID- 2-9/16"	8R7880	PIVOT HYD SWING HITCH 00-
8R6124	GANG RP 3-TINE UNIT 82-	8R7890	LOCK CYLNDR 8"(1.75"RD)RED95-
8R6136	REEL HYD DIRECT DRIVE 94-	8R8005	SNAP RING .078"FOR 2-1/2"DIA.
8R6142	BATT HEAVY DUTY RP	8R8010	BEARING 2-1/2"FLNG 4BLT-49/64"
8R6145	EYEBOLT 3/4"-10NC X 5/8"EYE	8S0003	SEPARATOR BRACE FORMED&P/C'D
8R6152	STABILZNG ARM HYD DD RGHT94-	8S0074	MUFFLER CLAMP HD 2-1/8" PLATED
8R6160	LIFTING ARM LEFT 79-	8S0080	PIPE CLAMP 1.90" ID PLATED ZDI
8R6165	LIFTING ARM RGHT 79-	8S0100	BUCKLE 2" TANK STRAP 91-
8R6170	PIN 1-3/4 X 8" RAKE KEEPER	8S0118	POLYESTER STRAP 2" X 114" BLK
8R6206	RECEIVR ASSY HD812/16.5L 97-	8S0120	POLYESTER STRAP 2" X 140" BLK
8R6300	DEPTH ADJ BOLT 1.5 X 5.75"	8S0280	U-BOLT 5/16 X 2 X 2-3/4" RND
8R6310	PIN 1-1/4 X 12" DEPTH CNTRL	8S0282	U-BOLT 5/16 X 2 X 2-3/4" SQ
8R6312	PIN 1-1/4 X 10-7/8"TRNSPRT LCK	8S0295	U-BOLT 3/8 X 2-5/8 X 4-1/4"RND
8R6410	MNT CHANNEL ROCK DEFLECTOR	8S0300	U-BOLT 3/8 X 2 X 4" SQ
8R6420	SIDE PLATE ROCK DEFLECTOR	8S0315	U-BOLT 3/8 X 3 X 4-1/8" RND
8R6430	FLAT 1/4 X 1-1/2- 58" STRAP	8S0319	U-BOLT 3/8 X 3 X 4-1/8" SQ
8R6440	BELTING .30 X 24 - 58" W/HOLS	8S0330	U-BOLT 1/2 X 3 X 4-1/4" SQ
8R6450	FLAT 1/4 X 2 - 8" REINF PLATE	8S0340	U-BOLT 1/2 X 4 X 5-1/4" SQ
8R6800	GREASE PIN 1.25" DIA. W/ZRK	8S0358	U-BOLT 5/8 X 3 X 4-1/2" SQ
8R6808	SPLITSTEELBUSH1.25 X 1"ID-.75"	8S0360	U-BOLT 5/8 X 6 X 4-1/2" SQ
8R6810	SPLITSTEELBUSH1.62X1.25"ID- 1"	8S0660	SPRING 1.42"ODX 7.81"EXT PNTD
8R6825	BEARING FLANGED 2" ID X #210	8S0684	SPRING SHOCK ABSORBER SSV96-01
8R6870	HYD CYL 3 X 31" (3/4"-16 ORB)	8S0820	SIDE RAILING BOTTOM PEG 03-
8R6874	SEAL KIT 3" X 31" CTD 85-	8S1000	SHOCK ABSORBER 91-01
8R6899	AXLE H614 STR 2"HR X 9-5/8"	8S1001	SHOCK ABSORBER ULTIM 99-
8R6901	AXLE H614 STR 2"CR X 9-1/2"	8S1001A	SHOCK ABSORBER HVYDITY ULT04-

8S1002	ADJUSTING CAM 91-01	8S4052	AXLE WELD ASSY WIDE NT 03-
8S1004	UPPER SPRING RETAINER 91-01	8S4058	AXLE SLIDE LFT WDE AXL NT03-
8S1020	SHOCK/.406DIA SPRING ASSY96-01	8S4059	AXLE SLIDE RGT WDE AXL NT03-
8S1060	STEEL PULLEY 2" DIA 1/2"ID 91-	8S4060	AXLE SLIDE LFT NRW DUALS 06-
8S1076	QUICKLINK 1/4" ZDI / YZ	8S4061	AXLE SLIDE RGT NRW DUALS 06-
8S1082	CABLE CLAMP 3/16" MALLEABLE	8S4062	AXLE SLIDE LFT NRW SING 07-
8S1100	CHAIN #3 X 4 LINK (6") 91-	8S4063	AXLE SLIDE RGT NRW SING 07-
8S1120	SIGN SLOW MOVING VEHICLE(SMV)	8S4081L	LEFT SPNDL HLDR 1010 ULTNT03-
8S1124	MOUNTING SOCKET SMV SIGN ZDI	8S4081R	RGHT SPNDL HLDR 1010 ULTNT03-
8S1126	MNT SPADE W/HRDWR SMV SIGN	8S4083L	LEFT SPNDL HLDR 1010 HVYNT03-
8S1270	WHEEL 38 X 16" 10 BOLT YLW	8S4083R	RGHT SPNDL HLDR 1010 HVYNT03-
8S1275	TIRE 480/80R38 155B TL TRACTOR	8S4138	STRAP 1500GAL NT TANK END03-
8S1280	480/80R38 155B TRA ON 38X16X10	8S4192	SPACER TUBE FOAM 1.5X3X7"99-
8S1281	480/80R38 155BTRA ON 13"OFFSET	8S4193	SPACER TUBE FOAM 3SQ X 7"99-
8S1288	WHEEL 38X16" 10BLT 13"OFFSET	8S4195	PLATFORM FOAM MARKER MNT 99-
8S1289	WHEEL 50 X10" 10 BLT 10"OFFSET	8S4201	HANDLE SIDE RAILING LTCH 03-
8S1290	WHEEL 46 X12" 10 BLT 0 OFFSET	8S4202	RETAINER SIDE RAILING HANDLE
8S1291	WHEEL 50 X10" 10 BLT 0 OFFSET	8S4205	LADDER ULT/NT LOWER 99-
8S1292	WHEEL 46 X12" 10 BLT 11"OFFSET	8S4205A	LADDER ULT/RA LOWER PWDCT99-
8S1293	WHEEL 50 X10" 10 BLT 11"OFFSET	8S4207A	LADDER UPPER 1500 ULT NT 03-
8S1294	WHEEL 46 X12" 10 BLT 15"OFFSET	8S4207B	LADDER ULT/RA UPPER PWDCT03-
8S1295	TIRE 380/90R46 159A8 TL TRACTR	8S4212L	SUPPORT LFT 1000GAL SIDE PLTFM
8S1296	TIRE 380/90R46 149 TL TRACTOR	8S4212R	SUPPORT RGT 1000GAL SIDE PLTFM
8S1297	TIRE 320/90R50 148A8 TL TRACTR	8S4213	SUPPORT 1500NT SIDE PLTFRM 03-
8S1298	TIRE 320/90R50 159 TL TRACTOR	8S4214L	SUPPORT LFT 1250GAL SIDE PLTFM
8S1300	380/90R46 152B TRA ON 46X12X10	8S4214R	SUPPORT RGT 1250GAL SIDE PLTFM
8S1301	380/90R46 159A 11" OFFSET MNTD	8S4217	HAND RAIL 1500NT FAR END 03-
8S1302	380/90R46 159A 15" OFFSET MNTD	8S4219	HAND RAIL 1500NT BIG SIDE03-
8S1304	320/90R50 159 0 OFFSET MNTD	8S4220	LADDER STRUT 1500GAL ULTRA 05-
8S1305	320/90R50 159 11" OFFSET MNTD	8S4221A	HANDRAIL SHORT ALUM SIDE 02-
8S1306	320/90R50 159 10" OFFSET MNTD	8S4223	PLATFORM SIDE ULTIMATE 99-
8S2980	HYD HOSE CLAMP-SMALL-NYLON	8S4230A	PLATFORM 1500CC SIDE P/C 03-
8S2990	HYD HOSE CLAMP-LARGE-NYLON	8S4234	BRCKT RINSE TANK DECAL 97-
8S3010	CLAMP 1" RIBBED-BLACK-PAIR91-	8S4235	BRKT REMOTE GAUGE MNT ULT 03-
8S3025	CLAMP 2.375"ID ACCUMULATR 91-	8S4236	WASH WAND BRACKET 97-
8S3038	CVR PLT 1-3/16X2-3/4"(1-1.5ID)	8S4237	FLAT 1/4 X 3- 9" GAGE MNT 05-
8S3043	CVR PLT 1 X 4-5/8"(2.4ID)PUNCH	8S4238	WASH HOSE BRACKET 97-
8S3059	CAPLUG FITS 2.067"ID TUBE96-	8S4272	PTO PLUMBING BRKT SUC/DIS00-
8S3104	CAP CLEAN H2O TANK	8S4276	BOLT FLAT UNIVRSL.25X4X3.1 96-
8S3108	SPIGOT ONLY CLEAN H2O TANK	8S4278	THREADED BRKT SUCTION 96-
8S3111	TANK 5 GAL H2O SAFETY-NT TNK	8S4281	MANIFLD BRKT FLNGD UNIVRSL 99-
8S3114	CROP CARE CLEAN H2O CAP 96-00	8S4282	THREADED BRKT PRESSURE 96-
8S3115	CROP CARE CLEAN H2O CAP 01-	8S4286	BUSHING BRKT FLOWMETER 96-
8S3130	CHEMICAL GOGGLE	8S4288	THREADED BRKT FLOWMETER 96-
8S3140	VINYL COATED GLOVES	8S4289	BOLT PLATE HONDA TO ULT 05-
8S4008	SPACER 10" FOR ULT DUALS 07-	8S4291	BOLT PLATE BOTTOM FILLPTD01-
8S4010	SPACER 11" FOR ULT DUALS 06-	8S4296	DRAIN BRACKET ULT/ULTRA 96-
8S4012	SPACER 15" FOR ULT DUALS 06-	8S4297	CHEMICAL INDUCTOR BRCKT 03-
8S4028A	CART HITCH EXT BLTON LONG08-	8S4299	BRCKT MAGNET SPEED SENSR 96-
8S4029A	CART HITCH EXT BLTON SHRT08-	8S4302	BRKT SIGHT TUBE ULTRA 05-
8S4030	CART HITCH BOLT ON RECEIVER	8S4554	BRCKT SAFETY H2O FAUCET 03-
8S4036	RETAINER LWR CAST AXL PTD03-	8S4560	BRACKET NOZZLE MNTNG PLTD 05-
8S4037	RETAINER FRT SLIDING AXL 03-	8S4562	BRCKT RUBBER BOOMSTOP PLTD 05-
8S4041	WIDE AXLE WELD ASSY NRRW CART	8S5250	1.25" SPINDLE FOR 211 HUB
8S4042	AXLE WELD ASSY NARROW NT 03-	8S5360	SWIVEL W/LCK BOOMWHL LEFT91-96
8S4043	NRRW AXLE WELD ASSY NRRWCART	8S5362	SWIVEL W/LCK BOOMWHL RGHT91-96
8S4047	AXLE WELD ASSY BEET SPCL 03-	8S5442	SWIVEL LH CBW (1.75"PVT)96-01
8S4048	AXLE SLIDE LFT NRW AXL NT03-	8S5444	SWIVEL RH CBW (1.75"PVT)96-01
8S4049	AXLE SLIDE RGT NRW AXL NT03-	8S5857	DECAL BRACKET 1500NT SING03-

8S8716	LINE STRAINR PKG BOOM 100MESH	8T4052	WING 8' PRT1 RGHT 32'-44' 96-
8T0100	SPRG BASE WSHR SQ HOL TRIP97-	8T4054	WING 11' PRT1 LEFT 50'-54' 99-
8T0400	STL 7T0400 LIFT LINK CURVD 99-	8T4056	WING 11' PRT1 RGHT 50'-54' 99-
8T0500	SHANK CHISEL EDGE-ON PNTD 96-	8T4058	WING 13' PRT1 LEFT 56'-60' 04-
8T0550	SPRING REAR HTCH PIN 97-	8T4058F	WING FRONT #1 LEFT 56'-60' 07-
8T0600	SPRING CHSL TRIP 700# BLACK96-	8T4059	WING 13' PRT1 RGHT 56'-60' 04-
8T0602	SPRING CHSL TRIP 1050#GREEN03-	8T4059F	WING FRONT #1 RGHT 56'-60' 07-
8T0606	WRENCH 1-1/2" OPEN 1" BOX 98-	8T4060	WING EXT 1 SHNK CHSL 96-
8T0608	WRENCH 1" OPEN 1-1/2" BOX 98-	8T4070	WING EXT 2 SHNK CHSL 96-
8T0990	HYD PLNGR UPDATEKIT1/4TO3/8"RD	8T4072	WING EXT 2SHNK FOR GWHL 99-
8T1004	HYD PLNGR REPAIRKIT1/4RDRAM-02	8T4074	WING EXT 3SHNK LEFT CH 99-
8T1006	PLUNGER PIN W/HOLS RAM 98-	8T4076	WING EXT 3SHNK RGHT CH 99-
8T1008	HYDPLNGR REPAIR KIT3/8RDRAM02-	8T4080	WING EXT 4SHNK LEFT CH 96-
8T1010	POPPET ASSY HD BLT-ON RAM02-	8T4082	WING EXT 4SHNK RGHT CH 96-
8T1015	HAIRPIN CLIP FOR PLUNGER PIN	8T4090	SUPPORT GAUGE WHEEL(5"SQ) 97-
8T1035	HYD CYL 3.5 X 10" R35SM-10BP	8T4094	HOLDER GAUGE WHL AXL(4"SQ) 97-
8T1037	HYD CYL 3.75 X 10"R3755M-10BP	8T4100	PIVOT W/BLTPLATE LIFTARM 96-
8T1040	HYD CYL 4.0 X 10" REPHASE 96-	8T4130	LIFTARM FRONT CNTR CHSL 98-
8T1040B	HYD CYL 4.0 X10" FOR 5PLX 99-	8T4132	WLKNG TNDM 7.5"C-C 2" ID 98-
8T1045	HYD CYL 4.5 X 10" REPHASE 96-	8T4140	LIFTARM REAR WLKNG TNDM CH96-
8T1050	HYD CYL 5.0 X 10" REPHASE 96-	8T4166	WALKNG TNDM W/ANGLD4X4LEFT99-
8T1055	HYD CYL 5.5 X 10" REPHASE 96-	8T4168	WALKNG TNDM W/ANGLD4X4RGHT99-
8T1060	HYD CYL 6 X10 W/STRK CNTRL 96-	8T4174	FLAT 3/8 X 1-1/2- 6-7/8" 99-
8T1135	SEAL KIT 3.5 X 10"RAM 2" ROD	8T4175	REAR SPRNG ATTCH BRCKT 50'-60'
8T1137	SEAL KIT 3.75X 10"RAM1-3/8"ROD	8T4176	SUPPORT-WHL SPRG LARM LEFT99-
8T1140	SEAL KIT 4.0 X 10"RAM 2" ROD	8T4177	SUPPORT-WHL SPRG LARM RGHT99-
8T1140B	SEAL KIT 4.0 X 10"RAM1-3/8"ROD	8T4178	SUPPORT-WHL SPRG I-BLT LEFT99-
8T1145	SEAL KIT 4.5 X 10" RAM 98-	8T4179	SUPPORT-WHL SPRG I-BLT RGHT99-
8T1150	SEAL KIT 5.0 X 10" RAM 98-	8T4190	MUD DFLCTR W/T 7T0125 BNT LEFT
8T1155	SEAL KIT 5.5 X 10" RAM 98-	8T4192	MUD DFLCTR W/T 7T0125 BNT RGHT
8T1160	SEAL KIT 6.0 X 10" RAM 98-	8T4198	BRACE FRNTCNTR CYL ATTCH 02-
8T2510	ROLLER#1WNGFLT2.25ODX1" 99-	8T4200	CYL ATTCH FRNT CNTR CHSL 96-
8T2514	SPACER WNGFLT2.25ODX9/16" 99-	8T4224	CYL ATTCH "A" REAR CHSL 99-
8T2520	ROLLR WNGFLT2.25ODX2-3/16" 99-	8T4226	CYL ATTCH OFFST REAR 5PLX 99-
8T2530	ROLLR#2WNGFLT4.5ODX1.52"ID 00-	8T4260	REST PART 2 WING 5-PLX 99-
8T2986	CLAMP 1/2" WIRING MTL/RUB BCK	8T4300	LOCK TRANSPRT 28-44' WING 97-
8T2988	CLAMP 3/8" WIRING MTL/RUB BCK	8T4325	LOCK TRANSPRT50-60"CP&SCLTR 99-
8T2990	HYD HOSE CLAMP MTL/RUB BACK	8T4350	LOCK CYLINDER 10.5"(2.5ROD)96-
8T3100	Y-BOLT (7-3/4") 1050#TRIP 04-	8T4380	HOLDER CYL LOCK 4"&6" MNT 96-
8T3120	FLAT3/8X2-7.75"WTCHAINATTCH07-	8T4390	HOLDER STROKE CNTRL 4&6"MNT08-
8T3200	BOLT 1-8NCX11"W/6.5"THD GR5 YZ	8T4400	SUPPORT CABLE LIMIT/HTCH 99-
8T3300	PIVOT BOLT CHSLTRP&WNGFLT YZ	8T4410	SUPPORT CABLE LIMIT/FRM 99-
8T3400	PIN 1-1/4 X 6-11/16"5-PLEX 99-	8T4510	FRAME REAR HITCH 98-
8T3590	LINK PART 1 TO 2 FOR 5PLX99-	8T4520	PIN 1 X 9-11/16"REAR HTCH 98-
8T3600	PIN 1-1/2 X 4-7/8" WNG PIVT98-	8T4530	PIN 1 X 8-1/2"RRHTCHSPRNG98-
8T3606	PIN 1-1/2 X 5-3/8"PRT2HNG 99-	8T4540	SWIVEL REAR HITCH 98-
8T3608	PIN 1-1/2 X 7-1/16"HRDND&CHROM	8T4550	SLIDE REAR HITCH 98-
8T3620	PIN 1-1/2 X 12-1/2" HRDND&ZINC	8T4570	EXTENSION CHISEL REAR HTCH06-
8T3625	PIN 1-1/2 X 12" W/WLD WSHR 00-	8T5000	HOLDER SPRNG-TRIP ASSY CAST96-
8T3640	PIN 1-1/2 X 19" HARDEND 98-	8T5020	PIPE SPRING STOP CHSL TRIP 96-
8T3800	WASHR7OD W/1.75OD BUSHX1.27"ID	8T5050	HOLDER SHANK TRIP W/BSHNGS 96-
8T3810	7T4286 HEX WASHER PNTD 99-	8T5150	BRCKT CHSL TRIP ASSY MNTNG 96-
8T3820	WASHR7OD W/2.25OD BUSHX1.27"ID	8T5200	CAP SWIVEL CAST HRDND CHSL96-
8T4000	HITCH CHISEL PLOW 96-	8T5345	SPLITSTEELBUSH2"ODX1.5"ID-1.5"
8T4040	WING 6' PRT1 LEFT28+30' 98-	8T6000	GAUGE WHEEL JACKBLT PLTD 96-
8T4042	WING 6' PRT1 RGHT28+30' 98-	8T6010	GAUGE WHEEL SCREW TOP 96-
8T4046	WING 6' PRT2 LEFT 50-60' 99-	8T6020	GAUGE WHEEL JACK HANDL 96-
8T4048	WING 6' PRT2 RGHT 50-60' 99-	8T6810	PLST BUSH 1-5/8X1.25ID-1" 96-
8T4050	WING 8' PRT1 LEFT 32'-44' 96-	8T7500	TRIP ASSY-LESS SHANK 700# 96-

8T7500H	TRIP ASSY-LESS SHNK 1050# 03-	8X0009	BOLT 1/4-20NC X 2" GR5 ZDI
8T8100	SEQUENCE VALVE WNG FOLD 99-	8X0010	BOLT 1/4-20NC X 1-1/4" GR5 ZDI
8W1006	PLOWBOLT 3/8-16 X 1.5" GR5 PLN	8X0011	SCREW RDHD SLOT1/4-20X1.5"ZDI
8W1007	NUT 3/8"-16NC HVY HEX GR2 PLN	8X0013	BOLT 1/4-20NC X 2-1/2" GR5 ZDI
8W1011	S-TINE STANDARD	8X0014	BOLT 1/4-20NC X 3" GR5 ZDI
8W1012	S-TINE HIGH CLEARANCE	8X0015	BOLT 3/8-16NC X 3-3/4" GR5 ZDI
8W1015	CLAMP STANDARD S-TINE SLVR	8X0016	BOLT 3/8-16NC X 3" GR5 ZDI
8W1016	CLAMP HI CLRNC S-TINE GOLD	8X0017	BOLT 3/8-16NC X 5" GR5 ZDI
8W1020	SHOVEL 1/4 X 2.75" S-TINE	8X0019	BOLT 3/8-16NC X 4-1/2" GR5 ZDI
8W1021	SHOVEL 1/4 X 4" S-TINE	8X0020	BOLT 3/8-16X3.5"FULLTHDGR5 ZDI
8W1200	U-BOLT 1/2 X 2 X 3-1/4" SQ	8X0021	BOLT 5/16-18NC X 3/4" GR5 ZDI
8W1204	U-BOLT 1/2 X 3 X 3" SQ	8X0021A	BOLT 5/16-18NC X 1" GR5 ZDI
8W1228	TUBE SQ 2 X 3T- 102-1/2" 81-	8X0021B	BOLT 5/16-18NC X 1-1/4"GR5 ZDI
8W1230	TUBE SQ 2 X 3T- 110" 81-	8X0022	SCKT CAP 5/16-18 X 1" GR5ZDI
8W1230H	TUBE SQ 2 X4T- 110" 91-	8X0023	BOLT 5/16-18NC X 2" GR5 ZDI
8W1245H	TUBE SQ 2 X4T- 162-1/2" 83-	8X0030	BOLT 5/16-18NC X 5" GR5 ZDI
8W1250	TUBE SQ 2 X4T- 172" 91-	8X0031	BOLT 7/16-14NC X 1" GR5 ZDI
8W1264	FLAT 3/8X1.5- 50" 4RNK SW 91-	8X0033	BOLT 7/16X1.25 5/8"THD GR5 ZDI
8W1270	LEVER FOR 2"SQ TUBE/STINE 81-	8X0034	BOLT 7/16X1.75 W/1"THD GR5 ZDI
8W1275	BAR CLAMP FLAT 3/8X1.5- 4" 81-	8X0036	BOLT 7/16-14NC X 2" GR5 ZDI
8W1280	CYL ATTCH LEVER ROD SW 81-	8X0037	PLOWBOLT 1/2-13NC X 2"GR5 ZDI
8W1285	BOTTOM FLAT 1/2X4 - 4" SW 81-	8X0037A	PLOWBOLT 1/2-13NCX2.25"GR5 ZDI
8W1300	BUSHING 2" SQ TUBE/S-TINE 81-	8X0038	BOLT 7/16-14NC X 2-1/2"GR5 ZDI
8W1357	HEX HEAD PLUG 9/16"-18 ORB	8X0041	BOLT 7/16-14NC X 3" GR5 ZDI
8W1360	MANIFOLD BLOCK ALUMINUM 10PORT	8X0044	BOLT 7/16-14NC X 3-1/2"GR5 ZDI
8W1380	HOLDDOWN HOSE 4&6" WIDTH 81-	8X0045	BOLT 7/16-14NC X 4-1/2"GR5 ZDI
8W1390	HOLDDOWN HOSE 2" WIDTH 91-	8X0046	BOLT 7/16-14NC X 7-1/4"GR5 ZDI
8W1398	HOLDDOWN HOSE 8" WIDTH 91-	8X0047	BOLT 7/16-14NC X 6" GR5 ZDI
8W1588	3/4"-16ORB PORT RESTRICTR.032"	8X0048	CRG 7/16-14NC X 3-1/2" GR5 ZDI
8W1589	3/4"-16ORB PORT 1WAYRESTR1/16"	8X0061	BOLT 1/2-13NC X 1-1/4" GR5 ZDI
8W1710	LIFT ARM STII+4RNK SPRWDR 91-	8X0062	BOLT 1/2-13NC X 2" GR5 ZDI
8W1720	LIFT ARM W/CYL STII+4RNKSW 91-	8X0063	BOLT 1/2-13NC X 1-1/2" GR5 ZDI
8W1800	CYL ATTCH WNG 7W1610 W/HLS 94-	8X0064	CRG 1/2-13NC X 1-1/2" GR5 ZDI
8W1806	SPACER TUBE 1.25X.76- 1-1/16"	8X0065	CRG 1/2-13NC X 2" GR5 ZDI
8W1810H	PIVOT W/614 AXLE WING HD LEFT	8X0066	BOLT 1/2-13NC X 1-3/4" GR5 ZDI
8W1812H	PIVOT C/W 614 HUB-WNG HD LEFT	8X0066S	SCKT CAP 1/2-13 X 1.75"GR8 PLN
8W1814H	PIVOT W/614 AXLE WING HD RGHT	8X0067	BOLT 1/2-13NC X 2-1/4" GR5 ZDI
8W1816H	PIVOT C/W 614 HUB-WNG HD RGHT	8X0068	BOLT 1/2-13NC X 2-1/2" GR5 ZDI
8W1820	PVT INNER WING W/ROLLRS LEFT	8X0069	BOLT 1/2-13NC X 3" GR5 ZDI
8W1822	PVT INNER WING W/ROLLRS RGHT	8X0070	BOLT 1/2-13NC X 3-1/4" GR5 ZDI
8W1830H	PVT PLATE WNG-1" 7W1650H PNTD	8X0071	BOLT 1/2-13X 3"SHOULDR GR2 ZDI
8W1850	HITCH PIVOT ASSY 22' HDA 94-	8X0072	BOLT 1/2-13NC X 3-3/4" GR5 ZDI
8W1860	CYL ATTCH HTCH UBLT LEFT 94-	8X0073	BOLT 1/2-13NC X 5" GR5 ZDI
8W1862	CYL ATTCH HTCH UBLT RGHT 94-	8X0074	BOLT 1/2-13NC X 4-1/2" GR5 ZDI
8W1884	L UHMW 2.5X2.5X3/8- 13" W/HLS	8X0075	BOLT 1/2-13NC X 6" GR5 ZDI
8W1886	FLAT 5/16X 1.5 - 11-3/8" 94-	8X0076	BOLT 1/2-13NC X 5-1/2" GR5 ZDI
8W1890	ROLLERTUBE1.5 X 1"ID- 1.5" 94-	8X0077	BOLT 1/2-13NC X 7-1/2" GR5 ZDI
8W1895	NYLATRON 1"ODX .76"ID- 1-1/2"	8X0078	BOLT 1/2-13X3.5"SHOULDR GR2ZDI
8W1897	NYLATRON 1"ODX .76"ID- 1-3/4"	8X0080	BOLT 1/2-13NC X 11" GR5 ZDI
8X0000	BOLT 1/4-20X3/4"FLLTHDGR5 ZDI	8X0082	BOLT 1/2-13NC X 6-1/2" GR5 ZDI
8X0000B	BOLT 1/4-20NC X 1" GR5 ZDI	8X0083	BOLT 1/2-13NC X 8" GR5 ZDI
8X0001	BOLT 3/8-16NC X 3/4" GR5 ZDI	8X0084	BOLT 1/2-13NC X 9" GR5 ZDI
8X0002	BOLT 3/8-16NC X 1" GR5 ZDI	8X0087	BOLT 5/8-11NC X 1-1/2" GR5 ZDI
8X0003	BOLT 1/4-20NC X 4-1/2" GR5 ZDI	8X0090	BOLT 5/8-11NC X 2-1/4" GR5 ZDI
8X0004	BOLT 3/8-16NC X 1-1/4" GR5 ZDI	8X0091	BOLT 5/8-11NC X 1-3/4" GR5 ZDI
8X0005	BOLT 1/4-20NC X 3-3/4" GR5 ZDI	8X0092	BOLT 5/8-11NC X 2-3/4" GR5 ZDI
8X0006	BOLT 3/8-16NC X 2-1/2" GR5 ZDI	8X0093	BOLT 5/8-11NC X 2" GR5 ZDI
8X0007	BOLT 3/8-16NC X 1-1/2" GR5 ZDI	8X0095	BOLT 5/8-11NC X 5" GR5 ZDI
8X0008	BOLT 3/8-16NC X 2" GR5 ZDI	8X0096	BOLT 5/8-11NC X 4" GR5 ZDI

8X0098	BOLT 5/8-11X 3.5"FULLTHDGR5ZDI	8X0234	NUT 7/16"-14NC NY-LOCK GR2 ZDI
8X0099	BOLT5/8-11X6.75"W/3.5THDGR5ZDI	8X0240	NUT 1/2"-13NC HEX GR2 ZDI
8X0101	BOLT 5/8-11NC X 8" GR5 ZDI	8X0242	NUT 1/2"-13NC NY-LOCK GR2 ZDI
8X0102	BOLT 5/8-11NC X 9" GR5 ZDI	8X0244	NUT 1/2"-13NC FLANG TOP LOCK Z
8X0106	BOLT 3/4X2.75"W/1.38THD GR8ZDI	8X0246	NUT 1/2"-13NC SER FLANG GR2 YZ
8X0107	BOLT 3/4-10NC X 2" GR5 ZDI	8X0250	NUT 5/8"-11NC HEX GR2 ZDI
8X0110	BOLT 3/4-10NC X 1-1/4" GR5 ZDI	8X0251	NUT 5/8"-11NC JAM GR2 ZDI
8X0111	BOLT 3/4-10NC X 2-1/2" GR5 ZDI	8X0253	NUT 5/8"-11NC NY-LOCK GR2 ZDI
8X0112	BOLT 3/4-10NC X 2-1/4" GR5 ZDI	8X0256	NUT 5/8"-11NC SER FLANG GR2 YZ
8X0113	BOLT 3/4-10NC X 5" GR5 ZDI	8X0259	NUT 3/4"-10NC JAM GR2 ZDI
8X0114	BOLT 3/4-10NC X 3" GR5 ZDI	8X0260	NUT 3/4"-10NC HEX GR2 ZDI
8X0115	BOLT 3/4-10NC X 3-1/2" GR5 ZDI	8X0261	NUT 3/4"-10NC NY-LOCK GR2 ZDI
8X0115A	BOLT 3/4NCX 3.5"FULLTHD GR5ZDI	8X0264	NUT 3/4"-10NC BEVL CNTRLCK ZDI
8X0115B	BOLT 3/4-10NC X 3-1/2" GR8 ZDI	8X0265	NUT 3/4"-10NC CNTRLOCK GR2 ZDI
8X0116	BOLT 3/4-10NC X 6" GR5 ZDI	8X0266	NUT 3/4"-10NC SER FLANG GR2 YZ
8X0117	BOLT 3/4-10NC X 7" GR5 ZDI	8X0268	NUT 7/8"-9NC HEX GR2 ZDI
8X0118	BOLT 3/4-10NC X 4" GR5 ZDI	8X0269	NUT 7/8"-9NC JAM GR2 ZDI
8X0118A	BOLT 3/4-10NC X 4-1/4" GR5 ZDI	8X0270	NUT 7/8"-9NC CNTRLOCK GR2 ZDI
8X0119	BOLT 3/4-10NC X 7-1/2" GR5 ZDI	8X0277	NUT 1"-8NC JAM GR2 ZDI
8X0120	BOLT 3/4-10NC X 9" GR5 ZDI	8X0278	NUT 1"-8NC JAM TOPLOCK GR2 ZDI
8X0121	BOLT 3/4-10NC X 6-1/2" GR5 ZDI	8X0280	NUT 1"-8NC HEX GR2 ZDI
8X0122	BOLT 3/4-10NC X 4-1/2" GR5 ZDI	8X0281	NUT 1"-8NC NY-LOCK GR2 ZDI
8X0123	BOLT 3/4-10NC X 5-1/2" GR5 ZDI	8X0282	NUT 1"-14TPI TOPLOCK GR B Z
8X0125	BOLT 3/4-10NC X 10" GR5 ZDI	8X0283	NUT 1-1/4"-7NC JAM GR2 ZDI
8X0130	BOLT 7/8-9NC X 2" GR5 ZDI	8X0284	NUT 1-1/4"-7NC HEX GR2 ZDI
8X0132	BOLT 7/8-9NC X 2-1/2" GR5 ZDI	8X0285	NUT 1-1/2"-6NC HEX GR2 ZDI
8X0133	BOLT 7/8-9NC X 3" GR5 ZDI	8X0286	NUT 1-1/2"-6NC JAM GR2 ZDI
8X0138	BOLT 1-8NC X 5-1/2" GR5 ZDI	8X0290	NUT 1-1/4"-7NC HEXSLOT GR2 ZDI
8X0139	BOLT 1-8NC X 3" GR5 ZDI	8X0292	NUT 2"-4.5 HVY HEXSLOT GR2 PLN
8X0140	BOLT 1-8NCX7" W/1.5"THDGR5ZDI	8X0292S	NUT 2"NC HEXSLOT MACHIND 1.75"
8X0141	BOLT 1-8NC X 7.5" GR5 ZDI	8X0299	LOCKWASHER 1/4" EXT TOOTH SS
8X0143	BOLT 1-8NC X 5" GR5 ZDI	8X0300	LOCKWASHER 5/16" YLW ZNC
8X0144	BOLT 1-8NC X 9-1/2" GR5 ZDI	8X0301	LOCKWASHER 3/8" YLW ZNC
8X0145	BOLT 1-8NC X 10-1/2" GR5 ZDI	8X0302	LOCKWASHER 7/16" YLW ZNC
8X0149	BOLT 1-8NC X 18" GR5 ZDI	8X0303	LOCKWASHER 1/2" YLW ZNC
8X0150	BOLT 1-8NC X 20" GR5 ZDI	8X0304	LOCKWASHER 5/8" YLW ZNC
8X0160	SCREW NO. 10 X 24 - 5/8"	8X0306	LOCKWASHER 3/4" YLW ZNC
8X0164	SCRW TRSS HD SLOT#10X24-3" ZDI	8X0307	LOCKWASHER 7/8" YLW ZNC
8X0165	SCRW TRSS HD PHPLS1/4-20-3/4SS	8X0308	LOCKWASHER 1/4" YLW ZNC
8X0166	SCREW PAN HD PHLPS 1/4X20X1"SS	8X0309	LOCKWASHER 1" YLW ZNC
8X0168	SCRW TORXTAMPPRF5/16-18X2"ZDI	8X0311	LOCKWASHER 1-1/4" YLW ZNC
8X0169	SCREW FLOORING 1/4 X 1.25" PLN	8X0312	WASHER 1/4" X 1-1/4" FENDER SS
8X0176	SELF-DRILL SCRW 10-16X1/2" RUB	8X0313	WASHER 1-1/4"ID X 2-1/2"SPRING
8X0178	SELF-DRL SCRW 12-14X3/4"RUB YZ	8X0315	LOCKWASHER 1-1/2" YLW ZNC
8X0180	SELF-DRL SCRW 12-14 X 1"RUB YZ	8X0316	WASHER 1" SAE FLAT ZDI
8X0182	SELF-DRL SCRW 12-14X1.5"RUB YZ	8X0317	WASHER 3/4" SAE FLAT ZDI
8X0201	NUT 3/8"-16NC HEX GR2 ZDI	8X0318	WASHER 3/4"(13/16"ID)FLAT ZDI
8X0202	NUT 3/8"-16NC NY-LOCK GR2 ZDI	8X0319	WASHER 17/32"IDX7/8ODX16GA ZDI
8X0203	NUT 3/8"-16NC SER FLANG GR2ZDI	8X0320	WASHER 3/8" (7/16" ID)FLAT ZDI
8X0204	NUT 3/8"-16NC HEX GR2 GALV	8X0323	WASHER 5/8" SAE FLAT ZDI
8X0205	NUT 10-24 HEX ZDI	8X0327	WASHER 1-1/4" SAE FLAT ZDI
8X0210	NUT 5/16"-18NC HEX GR2 ZDI	8X0328	WASHER 1.312"IDX2.5 OD-1/4" BL
8X0211	NUT 5/16"-18NC SERFLANG GR2ZDI	8X0329	WASHER 5/16"(3/8" ID)FLAT ZDI
8X0212	NUT 5/16"-18NC NY-LOCK GR2 ZDI	8X0330	WASHER 17/32"ID X 1.25"OD ZDI
8X0218	NUT 1/4"-20NC SQ GR2 SS	8X0331	WASHER 15/32"ID X 1.25"OD ZDI
8X0220	NUT 1/4"-20NC HEX GR2 ZDI	8X0332	WASHER 1/4"(5/16" ID) FLAT ZDI
8X0222	NUT 1/4"-20NC NY-LOCK GR2 ZDI	8X0333	WASHER HARROW TOOTH ZDI
8X0223	NUT 1/4"-20NC SER FLANG GR2ZDI	8X0341	WASHER 1-3/4"ID X 2.5"OD BRASS
8X0232	NUT 7/16"-14NC HEX GR2 ZDI	8X0355	WASHER 1-1/2"IDX2.25"X10GA PLN

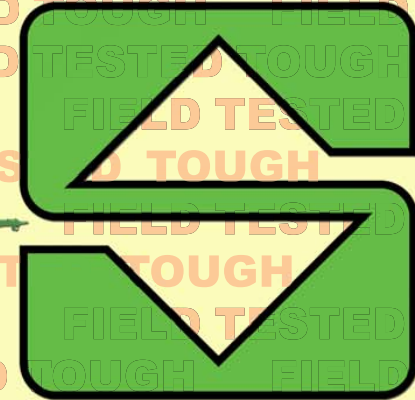
8X0361	WASHER 1-3/4"ID X2.5"X10GA PLN	8Z0114	DECAL ID M104 01-
8X0364	WASHER 2-1/2"IDX3.5"X 14GA PLN	8Z0118	DECAL ID M106 01-
8X0366	WASHER 2.03IDX2-7/8ODX 1/4"PLN	8Z0126	DECAL ID SUPERHARROW PLUS 01-
8X0367	WASHER 1-3/4"IDX3.25"X14GA PLN	8Z0130	DECAL ID HYD FLD COIL PCKR 01-
8X0368	WASHER 1-1/2" SAE FLAT PLN	8Z0132	DECAL ID SUPERROLLER 05-
8X0370	WASHER 3.016"ID X3.934" X 14GA	8Z0134	DECAL ID SUPERCHISEL 01-
8X0380	WASHER 3.06"IDX4.25" X 3/16"	8Z0136	DECAL ID COULTER-CHISEL 07
8X0400	HAIR PIN CLIP 1/8 X 1-15/16"	8Z0138	DECAL ID SUPERCOUTLER PLUS 01-
8X0402	HAIR PIN CLIP 1/8 X 2-9/16"	8Z0143	DECAL ID ULTIMATE NT 03-
8X0410	COTTER PIN 3/16 X 1" ZDI	8Z0144	DECAL ID ULTRA SPRAYER 05-
8X0414	COTTER PIN 1/4 X 2" ZDI	8Z0158	DECAL ID "700"ROCKPICKER 01-
8X0415	COTTER PIN 3/16 X 1-1/2"	8Z0202	DECAL"SUMMERS" 4 X 13.5"
8X0418	COTTER PIN 5/16 X 2-1/2" ZDI	8Z0220	DECAL RCKPCKR IMPORTANT3X4"
8X0420	CLEVIS PIN 7/16 X 1-3/4" ZDI	8Z0230	DECAL RP BATT DANGER 3.5X7"
8X0422	CLEVIS PIN 1/2 X 2-1/4" ZDI	8Z0232	DECAL AUTO FOLD WARNING 2X7"
8X0425	CLEVIS PIN 1/2 X 3" ZDI	8Z0276	DECAL GENERAL CAUTION 91-
8X0428	CLEVIS PIN 1/2 X 5-1/4" ZDI	8Z0278	DECAL WHEEL TIGHTENING 96-
8X0432	CLEVIS PIN 1/2 X 6" ZDI	8Z0284	DECAL NT TELESCOPE AXLE 03-
8X0440	CLEVIS PIN 5/8 X 3-7/8" ZDI	8Z0286	DECAL NARROW CART ADJAXLE07-
8X0462	CLEVIS PIN 3/8 X 3" W/HL ZDI	8Z0288	DECAL RINSE TNK PLMBNG TRLR99-
8X0500	LYNCH PIN 7/16 X 1-3/4" ZDI	8Z0290	DECAL SINGLE TANK PLUMBING 96-
8X0505	S-HOOK .125 X 1-3/8" ZINC	8Z0292	DECAL DUAL TANK PLUMBING 96-
8X0510	ROLL PIN 3/16 X 1-1/4" PLN	8Z0297	DECAL 1000NT SIGHT TUBE 03-
8X0515	ROLL PIN 1/4 X 1 1/4"	8Z0299	DECAL 1500NT SIGHT TUBE 03-
8X0516	DOWEL PIN 1/4 X 1 1/4"	8Z0340	DECAL REPHASING CYLINDERS
8X0520	ROLL PIN 3/16 X 2" YZ OR CAD-Y	8Z0342	DECAL INSTALL CYLINDER LOCKS
8X0523	ROLL PIN 5/16 X 2-1/2" PLN	8Z0344	DECAL WING DANGER
8X0605	SET SCRW SQ HD 7/16-14X 1" ZDI	8Z0346	DECAL ELECTROCUTION-TILLAGE
8X0614	SET SCRW SQ HD 5/8-11 X 2" PLN	8Z0348	DECAL GAUGE WHEEL DEPTH
8X0632	SET SCRW SCKT 7/16-14X 1.5"PLN	8Z0350	DECAL GREASE GANG BEARNG 04-
8X0640	SET SCRW SQ HD 1/2-13X 1.5"PLN	8Z0512	TAG SPRAY TANK ID 2X2" 98-
8X0665	SET SCRW SQ HD 3/4-10X4.5" ZDI	8Z0514	TAG RINSE TANK ID 2X2" 98-
8X0708	ZERK 1/4"-28 NF STR ZDI	8Z0516	TAG SPRAY BOOMS ID 2X2" 98-
8X0710	ZERK 1/4"-28 NF 90 DEG ZDI	8Z0518	TAG TANK NOZZLE ID 2X2" 98-
8X0721	ZERK 5/16"-24 NF STR ZDI	8Z0520	TAG RINSE WAND ID 2X2" 98-
8X0725	ZERK 1/8" MPT STR ZDI	8Z0522	TAG MN TANK SUCTION ID 03-
8X0727	ZERK 1/8" MPT 90 DEG ZDI	8Z0524	TAG MN TANK BOTTOM FILL 03-
8X0850	STUD 3/4-10 X 2.5 B7 ZDI	8Z0526	TAG MN TANK CHEMICAL FIL 03-
8X0960	CAN SPRAY PAINT SUMMERS GREEN	8Z0528	TAG MN TANK AGITATOR ID 03-
8X0962	CAN SPRAY PAINT SUMMERS BLACK	8Z0530	TAG MN TANK PUMP FILL ID 03-
8X0980	PAINT SUMMERS GREEN GAL	8Z0532	TAG MN TANK VENT ID 03-
8X0990	PAINT SUMMERS BLACK GAL	8Z0542	TAG FRNT TANK SUCTION ID 03-
8Z0070	DECAL "SUMMERS" 1.25 X 6"	8Z0544	TAG FNT TANK BOTTOM FILL 03-
8Z0075	DECAL TRNSPRT LCK WARNING TILL	8Z0546	TAG FNT TANK CHEMICAL FL 03-
8Z0079	DECAL "SUMMERS" 5 X 20"	8Z0548	TAG FNT TANK AGITATOR ID 03-
8Z0080	DECAL BOOM RELEASE NOTICE 95-	8Z0550	TAG FNT TANK PUMP FILL ID03-
8Z0082	DECAL 3PT PARKING WARNING 97-	8Z0552	TAG FRNT TANK VENT ID 03-
8Z0086	DECAL ELECTROCUTN DANGER SPRYR	8Z0800	REFLECTOR AMBER ADHSVBCK98-
8Z0087	DECAL"WARNING"PINCH POINT03-	8Z0805	REFLCTR REDORANGE ADHSVBK99-
8Z0088	DECAL"WARNING"BOOM FLD2.25X7"	8Z0810	REFLECTOR RED ADHSV-BACK 98-
8Z0089	DECAL"DANGER" CONFINED SPACE	8Z1070	OPERATR MAN SUPRCOULTR 00-
8Z0090	DECAL IMPORTANT HYD DEPTH ADJ	8Z1070R	OPER MAN SUPRCOULTR RUSSN 07-
8Z0092	DECAL"WARNING" HITCH 5 X12.5"	8Z1076	OPER MAN 30' SUPER ROLLER 07-
8Z0093	DECAL"WARNING" AUTOFLD4.5X12.75	8Z1080	OPER MAN 41&45' SUPR ROLLR 05-
8Z0094	DECAL DIAMOND DISK(S10)5X30"	8Z1084	OPER MAN 62&84' SUPR ROLLR 07-
8Z0101	DECAL"SUMMERS" M94/04/06 2.25X9	8Z1090	OPER MAN DISK SERIES 10 00-
8Z0104	DECAL"WARNING" LNDROLLER HITCH	8Z1090R	OPER MAN DIAMNDDISK RUSSN 07-
8Z0106	DECAL"DANGER" LNDROLLR TRNSPRT	8Z1094	OPER MAN COULTER CHISEL 07-
8Z0110	DECAL ID M94 01-	8Z1096	OPER MANUAL CHISLPLOW 28-44'

8Z1096R OPER MAN CHISL 28-44RUSSN 07-
8Z1098 OPER MANUAL CHISL PLOW 50-60'
8Z1098R OPER MAN CHISL 56-60RUSSN 07-
8Z1100 OPER MAN HRRW S-HRRW S-WEEDR
8Z1101 OPER/SETUP MAN22'HTCH SH+HP SW
8Z1101R OPER MAN SUPRHRRW+ RUSSN 07-
8Z1102 OPERATOR MANUAL ROCKPICKER
8Z1103 OPER MAN TRUCK & TRCTR SPRAYR
8Z1106R OPERATORS MAN ULT/RA RUSSIAN
8Z1106S OPERATORS MANUAL ULT/ULTRA
8Z1107 APPLICATION RATE CARD TEEJET
8Z1111 OPER/SETUP MAN HYD FLD COILPKR
8Z1111R OPER MAN HYDFLD COIL RUSSN 07-
8Z1121 SCS450 INSTLLN&SERVICE MANUAL
8Z1150 MASTER PARTS PRICE LIST

History of Summers Manufacturing Co., Inc.

- 1965 – Summers Manufacturing is founded by Harley Summers, who purchases patent rights for Goebel truck and pickup hoists from the Goebel Brothers of Lehr, ND. These hoists, produced in Harley Summers' blacksmith shop the first year, were distributed nationwide by a Cincinnati, Ohio, dealer. With increasing sales, the company soon outgrows the small shop. Summers wins the Herman harrow contract, beginning the company's Herman culti-harrow line. Summers builds a 7,200 square-foot factory in Maddock to meet the demand for truck and pickup hoists, as well as Herman harrows.
- 1969 – Firm incorporates and becomes officially known as Summers Manufacturing Company, Inc.
- 1970 – Summers purchases rights to manufacture/market the Herman Harrow.
- 1973 – Company builds new 20,000 square-foot plant and offices in Maddock, adding a 20,000 square-foot assembly plant in the fall of 1975 (completed in January 1976), bringing total square footage of Maddock factories to 47,000.
- 1977 – Summers introduces the Agri-sprayer, used in conjunction with the Herman culti-harrow to incorporate herbicides and liquid fertilizer.
- 1980 – Company purchases manufacturing and distributing rights to Crown rockpickers from Crown Manufacturers of Regina, Saskatchewan. This forces another expansion project – a 26,000 square foot factory on a 24 acre site in Devils Lake, ND Industrial Park.
- 1981 – Company establishes a branch facility in Regina, Saskatchewan.
- 1982 – Devils Lake plant begins operations in January, manufacturing supersprayers and rockpickers. The Maddock factory begins producing the Superweeder, a combination cultivator and harrow.
- 1983 – Summers buys manufacturing and distributing rights to the Fargo Field Sprayer line from Mid America Steel (formerly Fargo Foundry), Fargo. This field sprayer line is manufactured at the Devils Lake plant. Harley Summers is selected North Dakota's small-businessman of the year by the Small Business Administration.
- 1984 – Herman Diamond Disk, a disk harrow made in a diamond shape to reduce blade breakage from rocks, comes off the assembly line.
- 1985 – Summers signs a contract with Melroe Company of Bismarck to obtain exclusive manufacturing rights to the Melroe harrow line.
- 1989 – Summers purchases TorMaster Company of Hordean, Manitoba, giving the company a line of rolling packer equipment, comprised of harrow packers and hydraulic folding packer drawbars.
- 1992 – A new engineering office/parts department is added to the Devils Lake factory.
- 1993 – Company adds two new products: a pickup-mounted sprayer with booms of 80 and 90 feet, and the Summers Superharrow, an extra-heavy-duty residue-management tool designed for the minimum and no-till farmer.
- 1994 – a 50 by 125 foot addition to the Maddock factory is completed. Construction begins on a 24,576 square-foot addition to the Devils Lake factory, which will enable the company to increase production of truck-mounted and pull-type supersprayers and rockpickers.
- 1996 – 1500 square foot office area added to the Maddock plant. Company introduces Chisel Plow with floating hitch and 700# trip assembly.
- 1997 – 16,800 square foot warehouse in Maddock purchased from local business.
- 1999 - Company introduces the Ultimate suspended boom trailer sprayer with hydraulic folding booms. Additional sizes were added to the Chisel Plow line, now ranging from 28' to 54'.
- 2000 - Company introduces the Supercoulter, the innovative solution for excessive field residue management on no-till, minimum-till, and conventional-till farming operations.
- 2001 - Cold storage building completed at Devils Lake. Company extends boom lengths up to 110 feet on the Ultimate Supersprayer.
- 2002 - Company adds a warehouse and service man in Aberdeen, SD.
- 2003 - Company introduces the Ultimate NT Supersprayer featuring a bolt on axle for easier adjustment, and a new family of tanks that feature a drainable sump and a common width dimension.
- 2004 - A 124 ft. x 310 ft. addition is added onto the current Devils Lake plant.
- 2005 - The Summers Superroller is added to the "Field Tested Tough" product line. Additional sizes of 56', 58' and 60' are added to the Superchisel line. Ultimate-Ultra NT Supersprayer introduced featuring 120' & 133' booms.
- 2006 - The Summers Coulter-Chisel, Rolling Choppers and 30' Superroller were included in product line.
- 2007 - 62' & 84' 5 Section Landrollers and a 20' Coulter-Chisel were introduced.
- 2008 - Disk-Chisels, ranging from 16' to 40' widths, are added to product line.
- Summers distributes on a wholesale level to dealers and distributors throughout markets in North Dakota, South Dakota, Minnesota, Montana, Iowa, Washington, Idaho, Oregon, Utah, Colorado, Kansas, Nebraska, Oklahoma, Texas, Manitoba, Saskatchewan, Alberta, British Columbia, Kazakhstan, Russia and Australia, making it an international company.

SUMMERS



Manufacturing

